

# Hisense

life reimagined

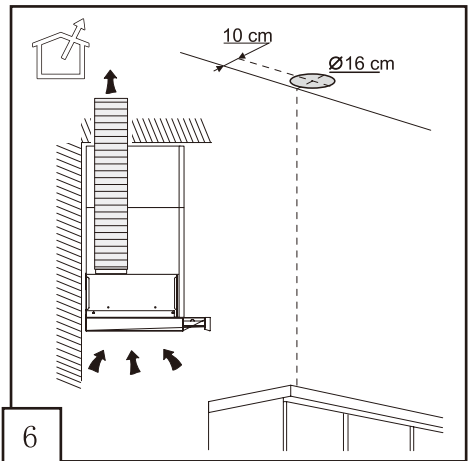
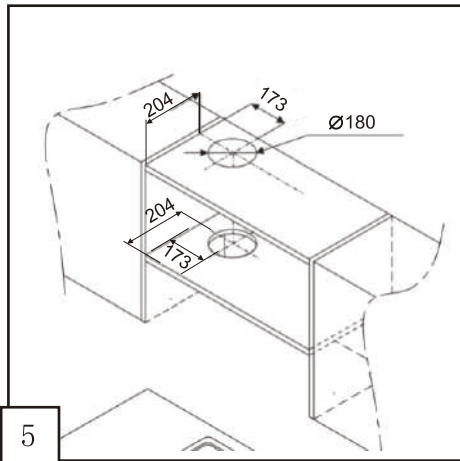
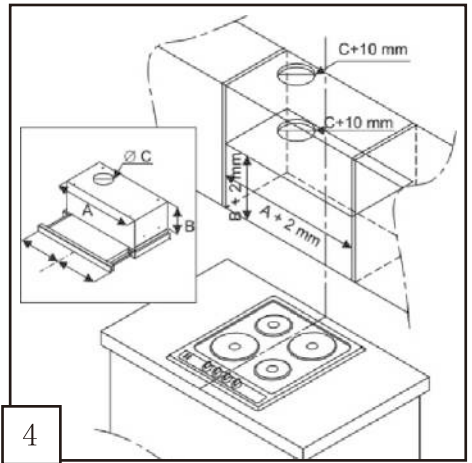
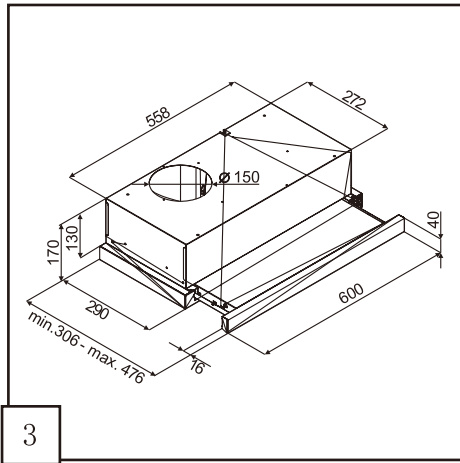
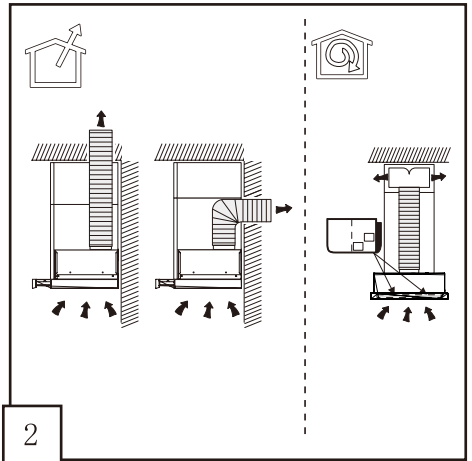
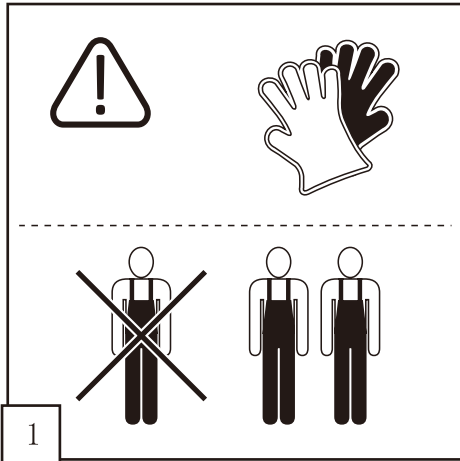
## USER'S OPERATION MANUAL

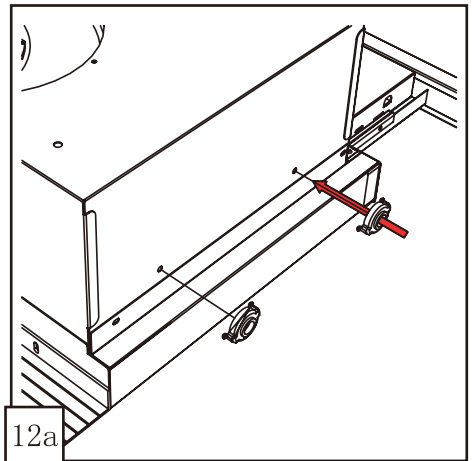
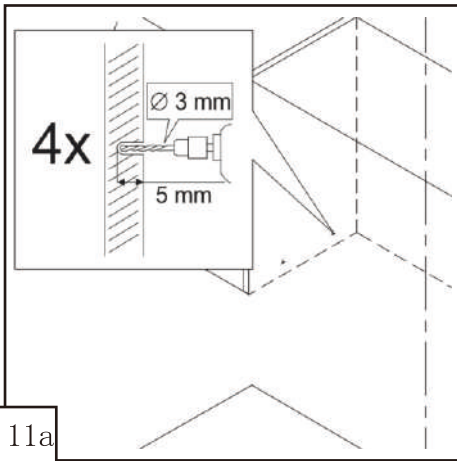
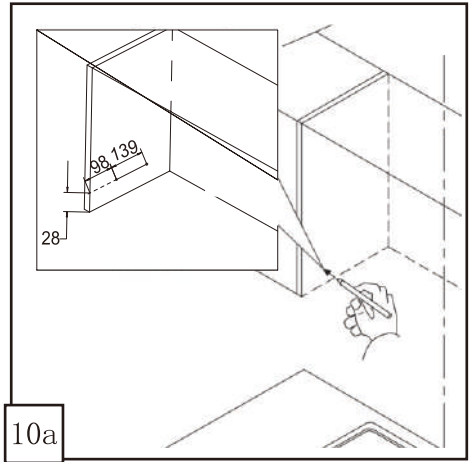
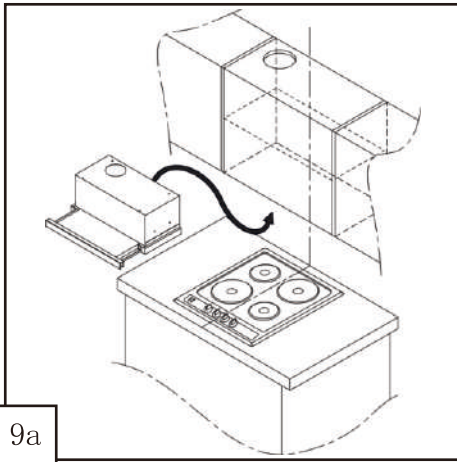
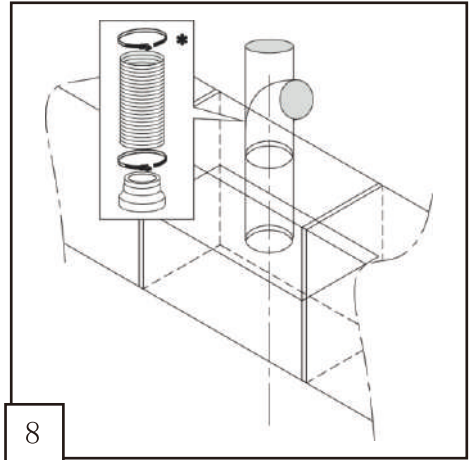
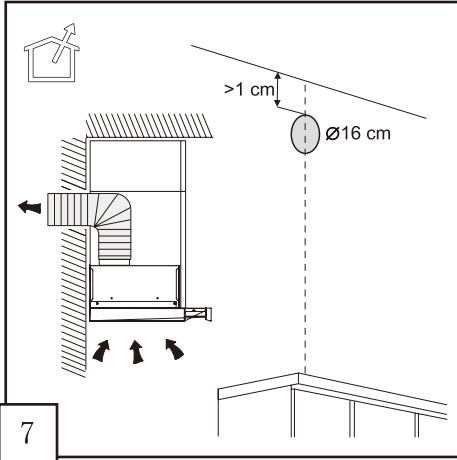
Before operating this unit, please read this manual thoroughly, and retain for future reference

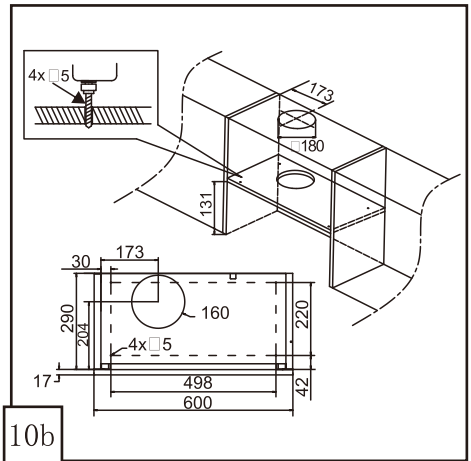
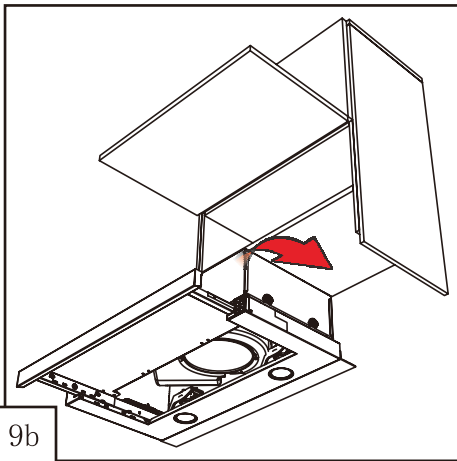
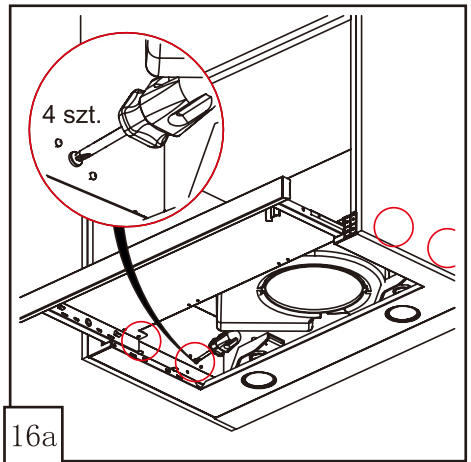
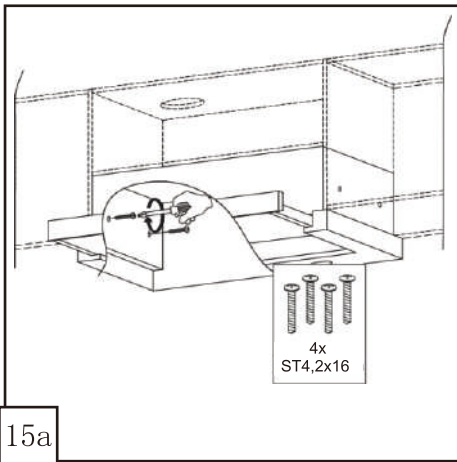
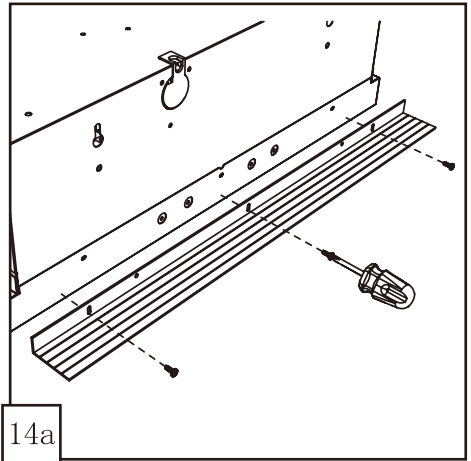
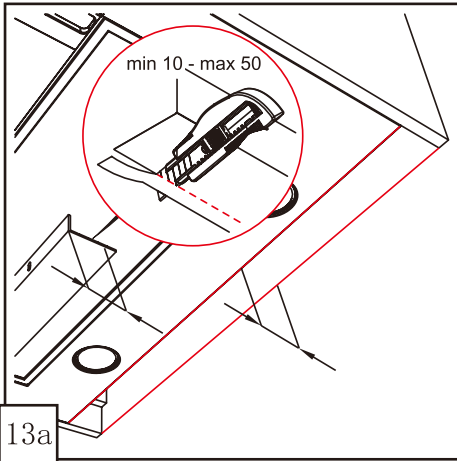
**MODEL NO.:** CH6TL3BX CH6TL4BB  
CH6TL3BS CH6TL3DB  
CH6TL3BB CH6TL3DS  
CH6TL3BW CH6TL4DB  
CH6TL4BX MH6TL4TB  
MH6TL2MB

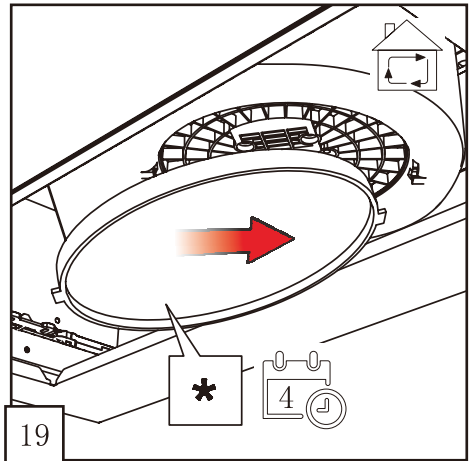
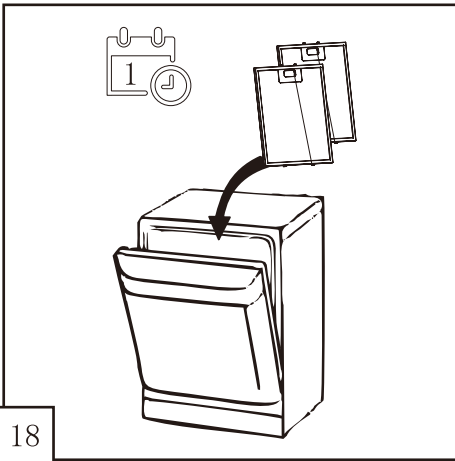
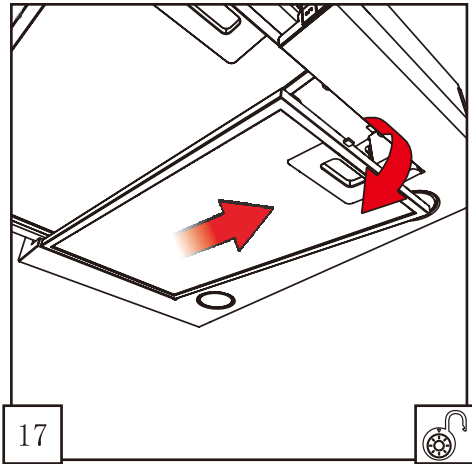
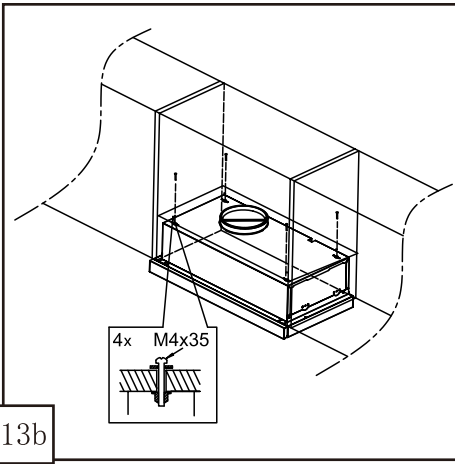
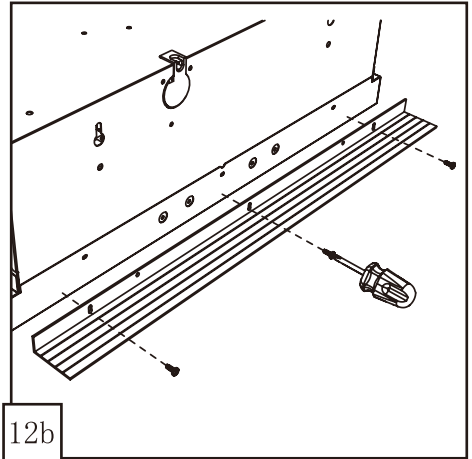
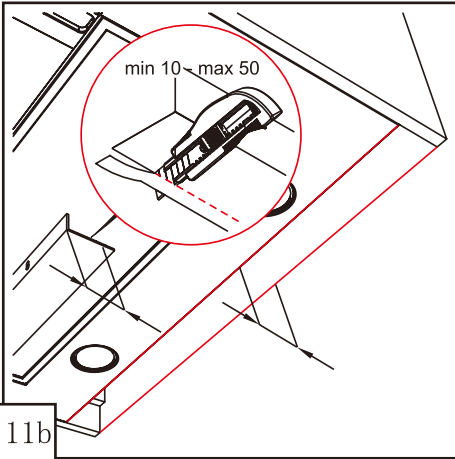
English

<b>EN - COOKER HOOD</b>	<b>7</b>
<b>ES - CAMPANA EXTRACTORA</b>	<b>12</b>
<b>FR - HOTTE</b>	<b>17</b>
<b>PT - EXAUSTOR</b>	<b>22</b>
<b>PL - OKAP WYCIĄGOWY</b>	<b>27</b>









## EN - COOKER HOOD

**Closely follow the instructions set out in this manual.** All responsibility, for any eventual inconveniences, damages or fires caused by not complying with the instructions in this manual, is declined. The hood is conceived for the suction of cooking fumes and steam and is destined only for domestic use.

**The hood can look different to that illustrated in the drawings in this booklet. The instructions for use, maintenance and installation, however, remain the same.**

- ! It is important to conserve this booklet for consultation at any moment. In the case of sale, cession or move, make sure it is together with the product.
- ! Read the instructions carefully: there is important information about installation, use and safety.
- ! Do not carry out electrical or mechanical variations on the product or on the discharge conduits.
- ! Before proceeding with the installation of the appliance verify that there are no damaged all components. Otherwise contact your dealer and do not proceed with the installation.

**Note:** the elements marked with the symbol “(\*)” are optional accessories supplied only with some models or elements to purchase, not supplied.



### CAUTION

**WARNING!** Do not connect the appliance to the mains until the installation is fully complete.

Before any cleaning or maintenance operation, disconnect hood from the mains by removing the plug or disconnecting the mains electrical supply.

Always wear work gloves for all installation and maintenance operations.

The appliance is not intended for use by children or persons with impaired physical, sensorial or mental faculties, or if lacking in experience or knowledge, unless they are under supervision or have been trained in the use of the appliance by a person responsible for their safety.

This appliance is designed to be operated by adults, children should be monitored to ensure that they do not play with the appliance.

This appliance is designed to be operated by adults. Children should not be allowed to tamper with the controls or play with the appliance.

Never use the hood without effectively mounted grating!

The hood must NEVER be used as a support surface unless specifically indicated.

The premises where the appliance is installed must be sufficiently ventilated, when the kitchen hood is used together with other gas combustion devices or other fuels.

The ducting system for this appliance must not be connected to any existing ventilation system which is being used for any other purpose such as discharging exhaust fumes from appliances burning gas or other fuels.

The flaming of foods beneath the hood itself is severely prohibited.

The use of exposed flames is detrimental to the filters and may cause a fire risk, and must therefore be avoided in all circumstances.

Any frying must be done with care in order to make sure that the oil does not overheat and ignite. Accessible parts of the hood may become hot when used with cooking appliance.

With regards to the technical and safety measures to be adopted for fume discharging it is important to closely follow the regulations provided by the local authorities.


The hood must be regularly cleaned on both the inside and outside (AT LEAST ONCE A MONTH).

This must be completed in accordance with the maintenance instructions provided in this manual). Failure to follow the instructions provided in this user guide regarding the cleaning of the hood and filters will lead to the risk of fires. Do not use or leave the hood without the lamp correctly mounted due to the possible risk of electric shocks.

We will not accept any responsibility for any faults, damage or fires caused to the appliance as a result of the non-observance of the instructions included in this manual.

This appliance is marked according to the European directive 2012/19/EC on Waste Electrical and Electronic Equipment (WEEE). By ensuring this product is disposed of correctly, you will help prevent potential negative consequences for the environment and human health, which could otherwise be caused by inappropriate waste handling of this product.



The symbol  on the product, or on the documents accompanying the product, indicates that this appliance may not be treated as household waste. Instead it should be taken to the appropriate collection point for the recycling of electrical and electronic equipment. Disposal must be carried out in accordance with local environmental regulations for waste disposal. For further detailed information regarding the process, collection and recycling of this product, please contact the appropriate department of your local authorities or the local department for household waste or the shop where you purchased this product.

Appliance designed, tested and manufactured according to:

- Safety: EN/IEC 60335-1; EN/IEC 60335-2-31, EN/IEC 62233.
- Performance: EN/IEC 61591; ISO 5167-1; ISO 5167-3; ISO 5168; EN/IEC 60704-1; EN/IEC 60704-2-13; ISO 3741; EN 50564; IEC 62301.
- EMC: EN 55014-1; CISPR 14-1; EN 55014-2; CISPR 14-2; EN/IEC 61000-3-2; EN/IEC 61000-3-3.

Suggestions for a correct use in order to reduce the environmental impact: Switch ON the hood at minimum speed when you start cooking and kept it running for few minutes after cooking is finished. Increase the speed only in case of large amount of smoke and vapour and use boost speed(s) only in extreme situations. Replace the charcoal filter(s) when necessary to maintain a good odour reduction efficiency. Clean the grease filter(s) when necessary to maintain a good grease filter efficiency. Use the maximum diameter of the ducting system indicated in this manual to optimize efficiency and minimize noise.

Additional Installation Specifications:

Use only the fixing screws supplied with the product for installation or, if not supplied, purchase the correct screws type. Use the correct length for the screws which are identified in the Installation Guide.

In case of doubt, consult an authorised service assistance centre or similar qualified person.

**WARNING!** Failure to install the screws or fixing device in accordance with these instructions may result in electrical hazards.

## USE

The hood is designed to be used either for exhausting or filter version.



### DUCTING VERSION

In this case the fumes are conveyed outside of the building by means of a special pipe connected with the connection ring located on top of the hood.

**Attention!** The exhausting pipe is not supplied and must be purchased apart. Diameter of the exhausting pipe must be equal to that of the connection ring.

In the horizontal runs the exhausting pipe must be slightly slanted (about 10°) and directed upwards to vent the air easily from the room to the outside.

**Attention!** If the hood is supplied with active charcoal filter, then it must be removed.

Connect the hood and discharge holes on the walls with a diameter equivalent to the air outlet (connection flange).

Using the tubes and discharge holes on walls with smaller dimensions will cause a diminution of the suction performance and a drastic increase in noise.

Any responsibility in the matter is therefore declined.



- ! Use a duct of the minimum indispensable length.
- ! Use a duct with as few elbows as possible (maximum elbow angle: 90°).
- ! Avoid drastic changes in the duct cross-section.
- ! Use a duct as smooth as possible inside.
- ! The duct must be made of certified material.



## FILTER VERSION

One active charcoal filter is needed for this and can be obtained from your usual retailer.

The filter removes the grease and smells from the extracted air before sending it back into the room through the upper outlet grid.

## INSTALLATION

The minimum distance between the supporting surface for the cooking equipment on the hob and the lowest part of the range hood must be not less than 50cm from electric cookers and 65cm from gas or mixed cookers.

If the instructions for installation for the gas hob specify a greater distance, this must be adhered to.



## ELECTRICAL CONNECTION

The mains power supply must correspond to the rating indicated on the plate situated inside the hood. If provided with a plug connect the hood to a socket in compliance with current regulations and positioned in an accessible area, after installation. If not fitted with a plug (direct mains connection) or if the plug is not located in an accessible area, after installation, apply a double pole switch in accordance with standards which assures the complete disconnection of the mains under conditions relating to over-current category III, in accordance with installation instructions.

**Warning!** Before re-connecting the hood circuit to the mains supply and checking the efficient function, always check that the mains cable is correctly assembled.

The hood is provided with a special power cable ; if the cable is damaged, request a new one from Technical Service.

## MOUNTING

Very heavy product; hood handling and installation must be carried out by at least two persons. Before beginning installation:

- Check that the product purchased is of a suitable size for the chosen installation area.
- Remove the charcoal (\*) filter/s if supplied (see also relative paragraph). This/these is/are to be mounted only if you want to use the hood in the filtering version.
- Check (for transport reasons) that there is no other supplied material inside the hood (e.g. packets with screws (\*), guarantees (\*), etc.), eventually removing them and keeping them.
- If possible, disconnect and move freestanding or slide-in range from cabinet opening to provide easier access to rear wall/ceiling. Otherwise put a thick, protective covering over countertop, cooktop or range to protect from damage and debris. Select a flat surface for assembling the unit. Cover that surface with a protective covering and place all canopy hood parts and hardware in it.
- In addition check whether near the installation area of the hood (in the area accessible also with the hood mounted) an electric socket is available and it is possible to connect a fumes discharge device to the outside (only suction version).
- Carry out all the masonry work necessary (e.g. installation of an electric socket and/or a hole for the passage of the discharge tube).

Expansion wall plugs are provided to secure the hood to most types of walls/ceilings. However, a qualified technician must verify suitability of the materials in accordance with the type of wall/ceiling. The wall/ceiling must be strong enough to take the weight of the hood. Do not tile, grout or silicone this appliance to the wall. Surface mounting only.

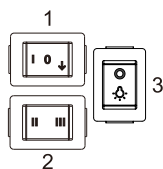
## OPERATION

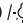
Use the high suction speed in cases of concentrated kitchen vapours. It is recommended that the cooker hood is switched on for 5 minutes prior to cooking and left in operation during cooking and for approximately another 15 minutes after terminating cooking. Below described three types of operation.


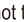
## ROCKER SWITCH

The hood operation is controlled by (three) switches, which are located on each side. They are visible when the telescopic front is ejected.

The telescopic hood is equipped with a limit switch. Every time you eject the telescopic front, the hood will start operating on the previously set gear.






1. 0 – Turn off the hood.  
I – hood operating on speed level 1.  
↓ – shift to enable motor speed II or motor speed III.
2. II – hood operating on speed level 2 (when switch 1 in position ↓).  
III – hood operating on speed level 3 (when switch 1 in position ↓).
3. O /  – Light ON / OFF.

The button labeled as  is used to turn the light ON or OFF. The lighting in the hood works independently of the hood engine. Pressing the  will not trigger the hood motor.

When the front panel is returned to the closed position, the limit switch turns off the hood motor and also turns off the light. If the hood motor and light switch are already in ON state, the hood motor will start operating and the lights will turn on, when the front panel is pulled out.



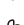

## BUTTON CONTROL



- Ⓢ – Hood operation ON / OFF. When pressing the button, the hood will start to operate on speed level 1.
-  – Press the Speed 1 button to start the motor with speed 1.
-  – Press the Speed 2 button to start the motor with speed 2.
-  – Light button to switch the light ON. Press again to switch the light OFF.

## TOUCH CONTROL



- Ⓢ – Press the On/Off button to start selecting the motor speeds.
-  – Press the Speed 1 button to start the motor with speed 1.
-  – Press the Speed 2 button to start the motor with speed 2.
-  – Press the Speed 3 button to start the motor with speed 3.
-  – Press the Light button to switch the light ON. Press again to switch the light OFF.

## **MAINTENANCE**

**ATTENTION!** Before performing any maintenance operation, isolate the hood from the electrical supply by switching off at the connector and removing the connector fuse.

Or if the appliance has been connected through a plug and socket, then the plug must be removed from the socket.

## **CLEANING**

The cooker hood should be cleaned regularly (at least with the same frequency with which you carry out maintenance of the fat filters) internally and externally. Clean using the cloth dampened with neutral liquid detergent. Do not use abrasive products. **DO NOT USE ALCOHOL!**

**WARNING:** Failure to carry out the basic cleaning recommendations of the cooker hood and replacement of the filters may cause fire risks. Therefore, we recommend observing these instructions. The manufacturer declines all responsibility for any damage to the motor or any fire damage linked to inappropriate maintenance or failure to observe the above safety recommendations.

## **GREASE FILTER**

Traps cooking grease particles. The grease filter must be cleaned once a month using non aggressive detergents, either by hand or in the dishwasher, which must be set to a low temperature and a short cycle. When washed in a dishwasher, the grease filter may discolour slightly, but this does not affect its filtering capacity. To remove the grease filter, press it and pull it down.

## **CHARCOAL FILTER (FILTER VERSION ONLY)**

It absorbs unpleasant odours caused by cooking. The saturation of the charcoal filter occurs after more or less prolonged use, depending on the type of cooking and the regularity of cleaning of the grease filter. In any case it is necessary to the cartridge at least every four months. The charcoal filter may NOT be washed or regenerated.

## **REPLACING LAMPS**

The hood is equipped with a lighting system based on LED technology. The LEDs guarantee an optimum lighting, a duration up to 10 times as long as the traditional lamps and allow to save 90% electrical energy.

### **Attention!**

In case of malfunction of the illumination system contact the technical service.

## **ENERGY SAVING TIPS**

- 1) When you start cooking, switch on the cooker hood at minimum speed, to control moisture and remove cooking odor.
- 2) Increase the range hood speed only when the amount of vapor makes it necessary.
- 3) Keep range hood filter(s) clean to optimize grease and odor efficiency.

## ES - CAMPANA EXTRACTORA

**Siga las instrucciones en este manual sistemáticamente.** El fabricante no se hace responsable de un posible inconveniente, daño o incendio que pudiera resultar del incumplimiento de las instrucciones de este manual. La campana está diseñada para la extracción de humo y vapor que se produce durante la cocción, y está destinada únicamente para uso doméstico o en el hogar.

**La apariencia de la campana puede diferir de los dibujos en este folleto. Sin embargo, las instrucciones de uso, mantenimiento e instalación permanecen sin cambios.**

- ! Guardar este manual para que pueda volver a leerlo en cualquier momento. Si vende, regala o mueve el aparato, asegúrese de que la guía del usuario siempre esté incluida.
- ! Leer cuidadosamente las instrucciones, ya que contienen información esencial sobre la instalación, el uso y la seguridad.
- ! No realizar intervenciones eléctricas o mecánicas ni tampoco ajustes en el aparato o en los tubos de escape o en los colectores.
- ! Antes de instalar el aparato, compruebe que todos los componentes no estén dañados. Si descubre que algún componente está dañado, llame a su distribuidor y no instale el aparato.

**Nota:** Los elementos marcados con el símbolo "(\*)" son accesorios adicionales que se incluyen solo en algunos modelos o están disponibles como accesorios y no se suministran con el aparato.



**¡ATENCIÓN!**

**¡ADVERTENCIA!** No conectar el aparato a la red eléctrica hasta que se complete la instalación.

Antes de limpiar o mantener la campana extractora, desconéctela de la toma de corriente retirando el enchufe de la toma de corriente o apagando el fusible principal.

Siempre use guantes protectores durante todos los trabajos de instalación o mantenimiento.

El aparato no está diseñado para ser utilizado por niños o personas con capacidad física, sensorial o mental reducida o con falta de experiencia o conocimiento, a menos que el aparato se utilice bajo la supervisión adecuada o como lo indiquen las personas a cargo de su seguridad.

El aparato está destinado a ser utilizado por adultos. No permita que los niños pequeños jueguen con el aparato.

El aparato está destinado a ser utilizado por adultos. No permita que los niños jueguen con los controles del aparato o el aparato.

¡Nunca utilice la campana extractora sin el filtro bien instalado!

**NUNCA** utilice la campana como soporte o superficie de apoyo a menos que esté explícitamente permitido.

Si en la habitación donde está instalada la campana extractora, también se utilizan dispositivos o aparatos en los que se quema gas natural u otro combustible, dicha habitación debe tener suficiente ventilación.

El sistema de extracción de vapor de este aparato no debe conectarse al sistema de ventilación existente, que ya se utiliza para algún otro propósito, por ejemplo, para la extracción de gases producidos por la combustión de gas u otros combustibles.

Está estrictamente prohibido el flambado o el uso de fuego abierto directamente debajo de la campana extractora.

El uso de la llama abierta puede dañar los filtros y causar un incendio, por lo que debe evitarse bajo cualquier circunstancia.

Al freír tenga cuidado de que el aceite no se sobrecaliente y se encienda. Las partes accesibles de la campana pueden calentarse durante el funcionamiento del aparato de cocina ubicado debajo de la campana.

En cuanto a las medidas técnicas y de seguridad para la evaporación de vapores, es importante seguir estrictamente las reglas determinadas por las autoridades locales.

La campana extractora debe limpiarse regularmente tanto desde el interior como desde el exterior (POR LO MENOS UNA VEZ AL MES).


Limpie la campana extractora de acuerdo con las instrucciones de mantenimiento de este manual. Si no sigue las instrucciones en este manual con respecto a la limpieza de la campana extractora y de los filtros, puede haber riesgo de incendio.

No utilice la campana extractora o no deje la campana extractora sin la bombilla correctamente instalada, de lo contrario, podría producirse una descarga eléctrica.

El fabricante se exime de cualquier responsabilidad por defectos, daños o incendios que puedan surgir en el dispositivo debido al incumplimiento de las instrucciones de este manual.

El aparato está marcado de acuerdo con la Directiva Europea 2002/96/CE sobre residuos de equipos eléctricos y electrónicos. Al tener cuidado de eliminar este producto adecuadamente, contribuirá a prevenir los efectos dañinos para el medio ambiente y la salud humana que, de lo contrario, podrían resultar del manejo inadecuado de este producto una vez finalizada su vida útil.



El símbolo  en el producto o en la documentación adjunta indica que el aparato no debe tratarse como un desecho doméstico, sino que debe entregarse en un punto de recolección adecuado para el reciclaje de equipos eléctricos y electrónicos. Deseche el aparato de acuerdo con las normas ambientales locales para la eliminación de residuos.

Para obtener información más detallada sobre la recuperación, recolección y reciclaje de este producto, comuníquese con el departamento correspondiente de la autoridad local competente, el servicio local de gestión de residuos domésticos o la tienda donde adquirió este producto.

El aparato está diseñado, probado y fabricado de acuerdo con las siguientes normas o regulaciones:

- Seguridad: EN/IEC 60335-1; EN/IEC 60335-2-31, EN/IEC 62233.
- Prestación: EN/IEC 61591; ISO 5167-1; ISO 5167-3; ISO 5168; EN/IEC 60704-1; EN/IEC 60704-2-13; ISO 3741; EN 50564; IEC 62301.
- EMC (compatibilidad electromagnética) EN 55014-1; CISPR 14-1; EN 55014-2; CISPR 14-2; EN/IEC 61000-3-2; EN/IEC 61000-3-3.

Sugerencias para un uso correcto con el fin de reducir el impacto ambiental: ENCENDER la campana a la velocidad mínima cuando empiece a cocinar y manténgala en marcha durante unos minutos después de haber acabado de cocinar. Aumente la velocidad solo si se produjera una gran cantidad de humo y vapor y use la velocidad o velocidades turbo solo en situaciones extremas. Si es necesario, reemplace los filtros de carbón (o el filtro de carbón) para mantener una buena eficiencia en la eliminación de olores desagradables. Si es necesario, limpie los filtros de grasa (o el filtro de grasa) para mantener una buena eficiencia. Utilice el diámetro máximo del sistema de conductos indicado en este manual, para optimizar el rendimiento y minimizar el ruido.

Especificaciones de instalación adicionales:

Durante la instalación, solo use los tornillos para el ajuste que se adjuntan al aparato. Si los tornillos no están incluidos, compre los tornillos del tipo apropiado. Use los tornillos del largo apropiado de acuerdo con la información en la Guía de instalación.

En caso de duda, póngase en contacto con un taller de reparación autorizado, un centro de ayuda al cliente u otra persona debidamente cualificada.

**¡ADVERTENCIA!** Si no instala los tornillos o los accesorios de montaje de acuerdo con estas instrucciones, puede ocurrir un riesgo de descarga eléctrica.

## USO

La campana extractora está diseñada para ser utilizada tanto en el modelo de extracción al exterior como por el modelo de filtrado.



### Modelo de extracción

El humo es evacuado hacia el exterior a través de un tubo de escape introducido en el reborde de conexión que se encuentra en la parte superior de la campana.

**¡Atención!** El tubo de escape no se suministra y se debe comprarse por separado. El diámetro del tubo de escape debe ser el mismo que el diámetro del reborde.

En la sección horizontal, el tubo debe estar ligeramente inclinado hacia arriba (aproximadamente 10°) para que el aire se extraiga fácilmente de la habitación.

**¡Atención!** Si la campana está equipada con filtros de carbón, deben retirarse.

Para la conexión entre la campana y la abertura en la pared para la extracción de vapor, usar un tubo con un diámetro igual al diámetro de la abertura de salida en la campana (reborde de conexión).

Si el diámetro del tubo o la abertura de la pared es menor, la potencia de succión será menor y el ruido aumentará significativamente.

Para tales casos, el fabricante se deslinda de cualquier responsabilidad.

! Utilice un tubo de extracción de aire cuya longitud sea la mínima indispensable.

! Utilice un tubo de extracción con el menor número posible de curvas. El ángulo máximo de la curva debe ser de 90°.

! Evite los cambios drásticos en la sección del tubo de extracción de aire.

! La superficie interior del tubo de extracción debe ser lo más lisa posible.

! El tubo de extracción de aire debe estar fabricado de un material con los certificados apropiados.



## Versión de filtro

Para esta versión, necesita un filtro de carbón, que puede obtenerse en la tienda de electrodomésticos.

El filtro elimina la grasa y los olores del aire filtrado, y luego el aire purificado regresa a la habitación a través de las ranuras de salida en la parte superior del aparato.

## INSTALACIÓN

La distancia mínima entre la superficie de cocción y la parte más baja de la campana no debe ser inferior a 45cm en el caso de las cocinas eléctricas y de 50cm en el caso de las cocinas a gas o mixtas.

Si las instrucciones para la instalación del dispositivo para cocinar con gas especifican una distancia mayor, hay que tener esto en consideración.



## Conexión eléctrica

La tensión de red debe corresponder con la tensión indicada en la etiqueta colocada en el interior de la campana extractora. Si es suministrada con un enchufe, conectar la campana a una toma de corriente conforme a las normas en vigor y colocarlo en una zona accesible, aun después de la instalación. Si no es suministrada con enchufe (conexión directa a la red eléctrica) o si la toma no es posible situarla en un lugar accesible, aun después de la instalación, se debe colocar un interruptor bipolar de acuerdo con las normativas, para asegurarse la desconexión completa a la red eléctrica en el caso de la categoría de alta tensión III, conforme con las reglas de instalación.

**¡Advertencia!** Asegúrese siempre de que el cable de alimentación esté instalado correctamente antes de volver a conectar la fuente de alimentación a la red eléctrica y verificar su funcionamiento.

La campana extractora está equipada con un cable de conexión especial; si este está dañado, solicite uno nuevo al departamento de reparaciones.

## Tipo de instalación

El aparato es muy pesado. Al menos dos personas deben cooperar en el manejo de la campana extractora y su instalación.

Antes de comenzar la instalación:

- Comprobar que el producto comprado sea del tamaño apropiado de acuerdo con el área de instalación seleccionada.
- Retirar los filtros de carbón o el filtro de carbón (\*), si se suministra (consulte el párrafo correspondiente). Instale los filtros de carbón (o el filtro de carbón) solo si usa la campana en versión de filtrado.
- Asegúrese de que no haya ningún material u otro elemento dentro de la campana (que podría caerse en el curso del transporte, por ejemplo, paquetes con tornillos (\*), la garantía (\*), etc.) y, si es necesario, retírelos.
- Si es posible, desconecte y mueva la cocina independiente o la cocina, que puede introducirse en el nicho entre los elementos de la cocina para facilitar el acceso a la pared detrás de la cocina o hasta el techo. Si esto no es posible, coloque una cubierta protectora gruesa sobre la cocina o estufa para protegerla de daños y objetos extraños. Elija una base plana para la instalación del aparato. Cubra esta base con una capa protectora sobre la cual colocar todas las partes de la campana extractora y las partes para fijarla.
- Además, verifique si hay una toma cerca del lugar donde desea instalar la campana extractora (en un lugar al que se

podrá acceder incluso después de la instalación de la campana), y si es posible conectarla a la instalación, que drenará el vapor libremente.

- Realizar todos los trabajos de construcción necesarios (p. ej., instalar una toma eléctrica y/o un orificio para el tubo de salida).

Para montar la campana extractora en la mayoría de los tipos de paredes o techos se adjuntan soportes de pared. Sin embargo, un experto debidamente capacitado debe verificar si los materiales son los adecuados dependiendo de la clase o del tipo de pared/techo. Pared o el techo debe ser lo suficientemente fuerte para soportar el peso de la campana extractora. No intente colocar este aparato en la pared o instalarlo con azulejos, compuestos de lechada, revoque o masilla de silicona. El aparato está destinado únicamente para montaje superficial.

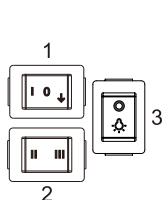
## FUNCIONAMIENTO

Utilice la alta velocidad de extracción solamente en caso de altas concentraciones de vapor durante la cocción. Le recomendamos encender el extractor 5 minutos antes de comenzar a cocinar para que funcione todo el tiempo durante la cocción y déjelo funcionando aproximadamente 15 minutos más después de terminar de cocinar. A continuación se describen tres modos de funcionamiento.

## INTERRUPTOR BASCULANTE

El funcionamiento del extractor es regulado con tres interruptores que se encuentran a los costados del aparato. Son visibles al extraer la placa frontal.

El extractor extraíble está equipado con un interruptor limitador. Cada vez que extrae la placa frontal el extractor comienza a funcionar con la última potencia configurada.



1. 0 – Apagado del extractor  
I – Funcionamiento del extractor en el 1° nivel de potencia.  
↓ – Coloque el interruptor en esta posición para configurar el nivel 2 o 3 de potencia de funcionamiento.
2. II – Funcionamiento del extractor en el 2° nivel de potencia (cuando el interruptor 1 se encuentra en la posición ↓).  
III – Funcionamiento del extractor en el 3° nivel de potencia (cuando el interruptor 1 se encuentra en la posición ↓).
3. O / : ◻ : – Encendido/apagado de la iluminación.

Con el botón marcado con el símbolo ◻ : se enciende o apaga la iluminación. La iluminación en el extractor funciona independientemente del motor del extractor. Presionando el botón ◻ : se enciende el motor del extractor.

Cuando cierra nuevamente la placa frontal extraíble, el interruptor limitador apaga el motor del extractor y apaga la luz.

Si el motor del extractor y el interruptor para iluminación ya están encendidos, el motor del extractor comenzará a funcionar y la iluminación se encenderá cuando extraiga la placa frontal.

## FUNCIONES DE LOS BOTONES



- ① – Encendido/apagado del extractor. Al presionar el botón el extractor comenzará a funcionar con velocidad 1 (1° nivel de velocidad).
- ☞ – Presione el botón para la velocidad 1, para activar el funcionamiento del motor con el 2° nivel de velocidad.
- ☞ – Presione el botón para la velocidad 2, para activar el funcionamiento del motor con el 3° nivel de velocidad.
- ◻ : – Presionando este botón se enciende la iluminación. Para apagarla presione nuevamente el mismo botón.

## BOTONES TÁCTILES



- ① – Presione el botón con sensor para el encendido/apagado para posibilitar la selección de la velocidad del funcionamiento del motor.
- ☞ – Presione el botón para la velocidad 1, para activar el 1° nivel de velocidad .
- ☞☞ – Presione el botón para la velocidad 2 , para activar el 2° nivel de velocidad del motor
- ☞☞☞ – Presione el botón para la velocidad 3, para activar el 3° nivel de velocidad del motor
- 💡 – Presione este botón con sensor para activar la luz o la iluminación. Para apagarla presione nuevamente este botón.

## MANTENIMIENTO

**¡ATENCIÓN! Desconectar la campana extractora de la red eléctrica antes de realizar cualquier trabajo de mantenimiento u operación apagándola en la conexión y retirando el fusible del conector.**

**Si el aparato está conectado a una toma de corriente a través de un enchufe, sacar el enchufe de la toma.**

### Limpeza

La campana extractora debe limpiarse regularmente (al menos con la misma frecuencia que la limpieza del filtro de grasa), tanto desde el interior como desde el exterior. Limpiar con un paño humedecido con un limpiador neutro. No utilice limpiadores abrasivos. **¡NO USE ALCOHOL!**

**ADVERTENCIA:** Si ignora las recomendaciones básicas para limpiar la campana y reemplazar los filtros, puede haber un riesgo de incendio. Por lo tanto, le recomendamos que siga estas instrucciones. El fabricante no se hace responsable por daños al motor o daños resultantes de un incendio si dichos daños se deben a un mantenimiento inadecuado o al incumplimiento de las recomendaciones de seguridad mencionadas anteriormente.

### Filtros

El **filtro antigrasa metálico** atrapa las partículas de grasa que se liberan durante la cocción. El filtro antigrasa metálico debe limpiarse una vez al mes con detergentes no agresivos, manualmente o bien en lavavajillas a bajas temperaturas y con ciclo breve. Con el lavado en el lavavajilla el filtro antigrasa metálico puede desteñirse pero sus características de filtrado no cambian absolutamente. Para desmontar el filtro antigrasa, tirar de la manija de desenganche de muelle.

El **filtro de carbón** (solo en la versión de filtro) absorbe los olores desagradables que se producen durante la cocción. Después de un uso prolongado, se produce la saturación del filtro, dependiendo del método de cocción y la frecuencia de limpieza del filtro de grasa. En cualquier caso, el cartucho del filtro de carbón debe ser reemplazado cada cuatro meses. El filtro de carbón NO se permite lavar o regenerar.

### Sustitución de las lámparas

La campana viene provista de un sistema de iluminación basado en la tecnología LED. Los LEDS garantizan una iluminación óptima, una duración hasta 10 veces mayor de las lámparas tradicionales y permiten ahorrar el 90% de energía eléctrica.

#### ¡ADVERTENCIA!

En caso de avería del sistema de iluminación, comuníquese con el servicio técnico.

### Consejos para el ahorro de energía

- 1) Al comenzar a cocinar, encienda la campana a la velocidad mínima para controlar la humedad y quitar los olores que se producen durante la cocción.
- 2) Aumente la velocidad de operación de la campana solo cuando sea necesario debido a la cantidad de vapores.
- 3) Para mantener la eficiencia óptima de eliminación de grasa y olores, mantenga la limpieza del filtro o los filtros de campanas.



**Veillez suivre scrupuleusement les instructions de cette notice.** Le constructeur décline toute responsabilité pour tout inconvénient, dommage ou incendie résultant du non-respect des consignes figurant dans ce manuel. La hotte est prévue pour aspirer les fumées et vapeurs de cuisson et elle est destinée exclusivement à un usage ménager.

**La hotte peut avoir un aspect différent de celui qui est représenté dans les illustrations de ce mode d'emploi, cependant les instructions pour l'utilisation, l'entretien et l'installation restent identiques.**

- ! Conservez ce manuel pour pouvoir le consulter à tout moment. En cas de vente, de cession ou de déménagement, veillez à ce qu'il reste avec l'appareil.
- ! Lisez attentivement cette notice : elle comporte des informations importantes sur l'installation, l'utilisation et la sécurité.
- ! N'effectuez pas de modifications électriques ou mécaniques sur l'appareil ou sur le conduit d'évacuation.
- ! Avant d'installer l'appareil, vérifiez qu'aucun élément n'est endommagé. Si c'était le cas, contactez votre revendeur et ne procédez pas à l'installation.

**Note :** les éléments pourvus d'un astérisque (\*) sont des accessoires optionnels fournis uniquement avec certains modèles ou des pièces non fournies qui doivent être achetées à part.



### MISE EN GARDE

**ATTENTION !** Ne raccordez pas l'appareil au circuit électrique tant que l'installation n'est pas complètement terminée.

Avant toute opération de nettoyage ou d'entretien, mettez la hotte hors tension en débranchant la prise secteur ou, en cas de raccordement permanent, en désarmant le disjoncteur.

Mettez des gants de protection avant d'effectuer toute opération d'installation et d'entretien.

Cet appareil n'est pas prévu pour les enfants ou les personnes à capacités physiques, sensorielles ou mentales réduites ou manquant d'expérience et de connaissances. Elles ne pourront l'utiliser que sous la surveillance d'un adulte responsable de leur sécurité et après avoir été mises au courant de son fonctionnement.

La hotte est prévue pour des adultes. Surveillez les enfants afin qu'ils ne jouent pas avec l'appareil ou avec ses commandes. Ne mettez jamais la hotte en marche si la grille n'est pas bien en place.

Ne déposez AUCUN objet sur la hotte sauf si cela est expressément autorisé.

Quand la hotte fonctionne en même temps que d'autres appareils à gaz ou autres combustibles, la cuisine doit disposer d'une ventilation suffisante.

L'air aspiré par la hotte ne doit jamais être expulsé dans le conduit d'évacuation des fumées de combustion dégagées par des appareils fonctionnant au gaz ou autres combustibles.

Il est formellement interdit de flamber les aliments sous la hotte.

Évitez de laisser brûler une flamme nue sous la hotte, car cela peut endommager les filtres et provoquer un incendie.

Surveillez vos fritures en permanence, car la graisse ou l'huile surchauffée peut prendre feu.

Les parties accessibles de la hotte peuvent devenir assez chaudes quand les appareils de cuisson sont en marche.

En ce qui concerne les mesures techniques de sécurité pour l'évacuation des fumées, respectez strictement les réglementations et normes en vigueur dans votre pays.

La hotte doit être régulièrement nettoyée, aussi bien à l'intérieur qu'à l'extérieur (AU MOINS UNE FOIS PAR MOIS), et ceci en respectant les instructions d'entretien fournies dans ce manuel. Le non-respect des consignes concernant le nettoyage de la hotte ainsi que le remplacement et le nettoyage des filtres peut entraîner un risque d'incendie.

Afin d'éviter tout risque de choc électrique, n'utilisez pas la hotte si les lampes ne sont pas bien en place.

Nous déclinons toute responsabilité pour tout dysfonctionnement, dommage ou incendie résultant du non-respect des consignes figurant dans cette notice.



Ce symbole figure sur le produit ou sur son emballage en application de la directive européenne 2002/96/CE sur les Déchets d'Équipement Électrique et Électronique (DEEE). Cette directive sert de règlement cadre à la reprise, au recyclage

et à la valorisation des appareils usagés dans toute l'Europe. Ce produit doit donc faire l'objet d'une collecte sélective. Lorsque vous ne l'utiliserez plus, remettez-le à un service de ramassage spécialisé ou à une déchèterie qui traite les DEEE ; vous contribuerez ainsi à éviter des conséquences néfastes pour la santé et l'environnement. Pour tout renseignement sur la mise au rebut et le recyclage de ce produit, veuillez contacter la mairie ou le service de la propreté de votre commune, ou encore le magasin dans lequel vous l'avez acheté.

Cet appareil a été développé, testé et fabriqué conformément aux normes suivantes :

- Sécurité : EN/IEC 60335-1; EN/IEC 60335-2-31, EN/IEC 62233.
- Performances : EN/IEC 61591; ISO 5167-1; ISO 5167-3; ISO 5168; EN/IEC 60704-1; EN/IEC 60704-2-13; ISO 3741; EN 50564; IEC 62301.
- Compatibilité électromagnétique : EN 55014-1; CISPR 14-1; EN 55014-2; CISPR 14-2; EN/IEC 61000-3-2; EN/IEC 61000-3-3.

**Suggestions pour une utilisation correcte afin de réduire l'impact sur l'environnement :** mettez la hotte en marche à la vitesse minimale lorsque vous commencez à cuisiner et laissez-la fonctionner quelques minutes après la fin de la cuisson. Augmentez la vitesse uniquement en cas de fumée et de vapeur importantes et n'utilisez la fonction booster que dans des situations extrêmes. Remplacez le ou les filtre(s) à charbon quand cela est nécessaire pour que les odeurs soient éliminées. Nettoyez le(s) filtre(s) à graisse quand cela est nécessaire pour maintenir son/leur efficacité. Concernant la gaine d'évacuation, choisissez le diamètre maximum indiqué dans ce manuel pour optimiser l'efficacité et minimiser le bruit.

#### **Consignes supplémentaires pour l'installation**

Pour l'installation, utilisez uniquement les vis de fixation fournies avec le produit ou, à défaut, achetez des vis appropriées. Elles doivent avoir la longueur indiquée dans le Guide d'installation.

En cas de doute, consultez le service après-vente agréé ou une personne qualifiée.

**ATTENTION !** Si les vis ou le dispositif de fixation ne sont pas installés conformément à ces instructions, cela peut entraîner des risques électriques.

## **UTILISATION**

La hotte peut fonctionner en mode évacuation ou en mode recyclage.



### **Version évacuation**

Dans ce cas, les vapeurs de cuisson sont expulsées vers l'extérieur à travers un tuyau d'évacuation qui est fixé à un raccord cylindrique monté sur la partie supérieure de la hotte.

**Attention !** Le tuyau d'évacuation n'est pas fourni et doit être acheté à part. Son diamètre doit être égal à celui du raccord cylindrique.

Sur son parcours horizontal, le tuyau doit être légèrement incliné vers le haut (10° environ) de façon à expulser l'air plus facilement vers l'extérieur.

**Attention !** Si la hotte est équipée d'un filtre à charbon, il faudra le retirer.

Le tuyau d'évacuation raccordé à la hotte et les trous percés dans les murs pour le passage du tuyau doivent avoir le même diamètre que la sortie d'air. S'ils ont un diamètre inférieur, cela entraînera une diminution des performances d'aspiration et une nette augmentation du bruit. Nous déclinons toute responsabilité à cet égard.

! Le tuyau ne doit pas être plus long que nécessaire.

! Les coudes du tuyau doivent être les moins nombreux possibles (angle maximum du coude : 90°).

! Évitez les variations excessives de la section du tuyau.

! Utilisez un tuyau le plus lisse possible sur sa partie interne.

! Le matériau du tuyau doit être conforme aux normes.



## Version recyclage

Il convient d'utiliser un filtre à charbon actif, disponible auprès de votre revendeur habituel.

L'air aspiré sera dégraissé et désodorisé avant d'être refoulé dans la pièce à travers la grille supérieure.

## INSTALLATION

La hotte ne doit pas être installée à moins de 50 cm au-dessus d'une table de cuisson électrique et à moins de 65 cm d'une table à gaz ou mixte.

Si la notice d'utilisation d'une cuisinière ou d'une table de cuisson à gaz prévoit une distance supérieure, il faudra suivre ces recommandations.



### Raccordement électrique

La tension et la fréquence du réseau électrique de votre habitation doivent correspondre à la tension et à la fréquence indiquées sur la plaque signalétique apposée à l'intérieur de l'appareil. Si la hotte comporte un cordon secteur, enfoncez fermement la fiche dans une prise murale qui devra être conforme aux réglementations et normes en vigueur ; cette prise devra demeurer accessible après l'installation. Si la hotte n'est pas équipée d'un cordon secteur, ou si la prise murale ne se trouve pas dans une zone accessible après installation, l'appareil devra être raccordé directement au réseau électrique ; il faudra alors, conformément aux règles de l'art, prévoir un disjoncteur bipolaire normalisé, capable de séparer complètement l'appareil du circuit électrique en cas de surtension de catégorie III.

**Attention** : avant de reconnecter la hotte au réseau électrique et de contrôler son bon fonctionnement, vérifiez toujours que le câble d'alimentation est installé correctement.

La hotte est pourvue d'un câble d'alimentation spécial ; s'il est endommagé, il faudra en commander un neuf auprès du service après-vente.

## Pose

L'appareil est très lourd ; il faut prévoir au moins deux personnes pour le manipuler et l'installer.

Avant de commencer l'installation :

- Vérifiez que le produit acheté a les dimensions adéquates pour être installé à l'emplacement choisi.
- Enlevez le(s) filtre(s) à charbon actif (\*) s'ils sont fournis (voir également le chapitre "Entretien"). Il faudra les remettre en place uniquement si l'on utilise la hotte en mode recyclage.
- Vérifiez qu'il ne reste pas de petit matériel à l'intérieur de la hotte (sachet de vis (\*), carte de garantie (\*), etc. Si c'est le cas, retirez-les et conservez-les.
- Enlevez si possible les meubles qui encadrent la hotte et se trouvent au-dessous d'elle afin d'accéder plus facilement au mur ou au plafond où elle sera fixée. Si ce n'est pas possible, étalez une toile épaisse sur la table de cuisson, le plan de travail et les meubles adjacents pour les protéger des dégâts éventuels et des salissures. Choisissez une surface plane pour assembler l'appareil. Couvrez cette surface d'une protection, puis placez-y la hotte et toutes les pièces fournies.
- Vérifiez s'il existe, à proximité de l'emplacement destiné à la hotte, une prise de courant qui restera accessible quand l'appareil sera installé. Assurez-vous également qu'il est possible de raccorder la hotte à une gaine d'évacuation débouchant à l'extérieur de l'habitation (uniquement si vous voulez utiliser l'appareil en mode évacuation).
- Réalisez tous les travaux préparatoires (installation d'une prise secteur, perçage d'un trou pour le passage du tuyau d'évacuation des vapeurs).

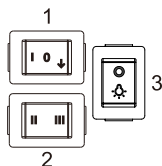
La hotte est livrée avec des chevilles à expansion permettant de la fixer solidement à la plupart des murs et plafonds. Il est cependant conseillé qu'un technicien qualifié vérifie si les chevilles et vis sont appropriées pour votre mur/plafond. Le mur ou le plafond doit être suffisamment solide pour supporter le poids de la hotte. Ne carrez pas la hotte et n'y posez pas de joint en silicone ou autre matière ; elle doit être simplement fixée au mur.

## FUNCTIONNEMENT

En cas de concentration de vapeurs dans la cuisine, utilisez la vitesse d'aspiration maximale. Il est recommandé de mettre la hotte en marche 5 minutes avant la cuisson et de l'arrêter 15 minutes après la fin de la cuisson. Trois types d'opération sont décrits ci-dessous.

## COMMUTATEURS À BASCULE

Le fonctionnement de la hotte est commandé par (trois) commutateurs situés de chaque côté. Ils sont visibles lorsque vous tirez le tiroir vers l'avant. La hotte télescopique est équipée d'un interrupteur fin de course. Chaque fois que vous tirez le tiroir, la hotte démarre à la vitesse réglée précédemment.



1. 0 – Hotte à l'arrêt.  
I – La hotte fonctionne à la vitesse 1.  
↓ – Pour faire passer le moteur à la vitesse II ou III.
2. II – La hotte fonctionne à la vitesse 2 (si le commutateur 1 est sur la position ↓).  
III – La hotte fonctionne à la vitesse 3 (si le commutateur 1 est sur la position ↓).
3. O / - ⚡ – MARCHÉ/ARRÊT de l'éclairage

Le bouton ⚡ sert à ALLUMER ou ÉTEINDRE l'éclairage. Ce dernier fonctionne indépendamment du moteur de la hotte. En appuyant sur ⚡ vous ne ferez pas démarrer le moteur de la hotte.

Lorsque vous ramenez le tiroir en position fermée, l'interrupteur fin de course arrête le moteur de la hotte et éteint également l'éclairage.

Si le moteur de la hotte et le commutateur d'éclairage sont déjà en position MARCHÉ, le moteur démarre et l'éclairage s'allume lorsque vous tirez le tiroir.

## TOUCHES DE COMMANDE



- ① – Touche MARCHÉ/ARRÊT. Lorsque vous appuyez sur cette touche, la hotte se met en marche à la vitesse 1.
- 🌀 – Appuyez sur la touche Vitesse 1 pour faire démarrer le moteur à la vitesse 1.
- 🌀 – Appuyez sur la touche Vitesse 2 pour faire démarrer le moteur à la vitesse 2.
- ⚡ – Touche Éclairage pour ALLUMER la lumière. Pour l'ÉTEINDRE, appuyez de nouveau sur cette touche.

## COMMANDES TACTILES



- ① – Appuyez d'abord sur la touche MARCHÉ/ARRÊT pour pouvoir sélectionner la vitesse du moteur.
- 🌀 – Appuyez sur la touche Vitesse 1 pour faire démarrer le moteur à la vitesse 1.
- 🌀 – Appuyez sur la touche Vitesse 2 pour faire démarrer le moteur à la vitesse 2.
- 🌀 – Appuyez sur la touche Vitesse 3 pour faire démarrer le moteur à la vitesse 3.
- ⚡ – Appuyez sur la touche Éclairage pour ALLUMER la lumière. Pour l'ÉTEINDRE, appuyez de nouveau sur cette touche.

## ENTRETIEN

**ATTENTION** : avant toute opération de nettoyage ou d'entretien, mettez l'appareil hors tension en débranchant le cordon secteur ou, en cas de raccordement permanent, en désarmant le disjoncteur, ou encore en retirant le fusible.

### Nettoyage

La hotte doit être nettoyée régulièrement à l'intérieur et à l'extérieur (au moins à la même fréquence que les filtres à graisse). Utilisez pour cela une éponge douce et un détergent liquide neutre. Évitez tout produit abrasif. **N'UTILISEZ PAS D'ALCOOL** !

**ATTENTION** : si vous n'observez pas les recommandations concernant le nettoyage de la hotte et le remplacement des filtres, vous pouvez vous exposer à un risque d'incendie.

La responsabilité du constructeur ne peut en aucun cas être engagée dans le cas de dommages au moteur ou d'incendie résultant d'un entretien négligeant ou du non-respect des consignes de sécurité précédemment mentionnées.

### Filtres

**Le filtre métallique à graisse** retient les particules grasses provenant de la cuisson. Ce filtre doit être nettoyé une fois par mois avec un détergent non agressif, à la main ou dans le lave-vaisselle en sélectionnant un programme court à température modérée. Le nettoyage en lave-vaisselle peut décolorer le filtre à graisse, mais ceci n'altère nullement son efficacité. Pour enlever le filtre à graisse, tirez la petite poignée à ressort.

**Le filtre à charbon actif** (version recyclage uniquement) neutralise les odeurs désagréables de cuisson. Il est saturé au bout d'une longue durée d'utilisation, en fonction du type de cuisson que vous pratiquez et de la régularité du nettoyage du filtre à graisse. Dans tous les cas, il faut remplacer la cartouche au moins tous les 4 mois. Le filtre à charbon ne DOIT PAS être lavé ou régénéré.

### Remplacement des lampes

La hotte est équipée de lampes à LED qui garantissent un éclairage optimal, durent dix fois plus longtemps que les ampoules traditionnelles et permettent d'économiser 90% d'électricité.

Lorsque vous les remplacez, choisissez exclusivement des ampoules LED avec un culot E14.

### ATTENTION !

En cas de dysfonctionnement du système d'éclairage, contacter le service technique.

### Conseils pour les économies d'énergie

- 1) Lorsque vous commencez à cuisiner, mettez la hotte en marche à la vitesse minimale afin d'éliminer les vapeurs et les odeurs de cuisson.
- 2) Augmentez la vitesse d'aspiration uniquement en cas de fumées et de vapeurs importantes ;
- 3) Maintenez les filtres en bon état de propreté pour qu'ils capturent avec efficacité les fumées et les odeurs.

**É favor seguir escrupulosamente as instruções deste manual.** O construtor não se responsabiliza por qualquer inconveniente, dano ou incêndio resultante do incumprimento das instruções que constam deste manual. O exaustor está previsto para aspirar os fumos e vapores de cozedura e é destinado exclusivamente para um uso doméstico.

**O exaustor pode ter um aspeto diferente daquele que é representado nas ilustrações deste modo de utilização, no entanto as instruções para a utilização, a manutenção e a instalação permanecem idênticas.**

- ! Conserve este manual para poder consultá-lo em qualquer momento. No caso de venda, de cessão ou de mudança de casa, é favor verificar que fica com o aparelho!
- ! Leia atentamente este manual: possui informações importantes sobre a instalação, a utilização e a segurança!
- ! Não efetue nenhuma modificação elétrica ou mecânica no aparelho ou na conduta de evacuação!
- ! Antes de instalar o aparelho, verifique se nenhum elemento está danificado. Se for o caso, contacte o seu revendedor e não proceda à instalação!

**Nota:** os elementos com um asterisco (\*) são acessórios opcionais fornecidos apenas com alguns modelos ou peças não fornecidos que devem ser comprados à parte.



### ADVERTÊNCIA

**AVISO!** Não ligue o aparelho ao circuito elétrico enquanto a instalação não está completamente terminada.

Antes de qualquer operação de limpeza ou de manutenção, desligue o exaustor da fonte de alimentação elétrica retirando a ficha da tomada elétrica ou, no caso de ligação permanente, desarmando o disjuntor.

Ponha luvas de proteção antes de efetuar qualquer operação de instalação e de manutenção.

Este aparelho não está previsto para as crianças ou as pessoas com capacidades físicas, sensoriais ou mentais reduzidas ou sem experiência e de conhecimentos. Apenas poderão utilizá-lo sob a vigilância de um adulto responsável pela sua segurança e depois de a ter informado do seu funcionamento.

O exaustor está previsto para os adultos. Vigie as crianças para que estas não brinquem com o aparelho ou com os seus comandos.

Nunca coloque o exaustor em funcionamento se a grelha não estiver colocada corretamente no devido lugar.

Não pose NENHUM objeto em cima do exaustor exceto se for expressamente autorizado.

Quando o exaustor funciona ao mesmo tempo que outros aparelhos a gás ou outros combustíveis, a cozinha deve dispor de uma ventilação suficiente.

O ar aspirado pelo exaustor nunca deve ser expulso pela conduta de evacuação dos fumos de combustão libertados por aparelhos que funcionam a gás ou outros combustíveis.

É rigorosamente proibido flamejar os alimentos debaixo do exaustor.

Evite deixar queimar uma chama nua debaixo do exaustor, pois isso pode danificar os filtros e provocar um incêndio.

Vigie os fritos permanentemente, pois a gordura ou o óleo aquecido em excesso pode arder.

As partes acessíveis do exaustor podem ficarem bastantes quentes quando os aparelhos de cozedura estão em funcionamento.


Relativamente às medidas técnicas de segurança para a evacuação dos fumos, respeite rigorosamente as regulamentações e normas em vigor no seu país.

O exaustor deve ser regularmente limpo, tanto no interior como no exterior (PELO MENOS UMA VEZ POR MÊS), e isso respeitando as instruções de manutenção fornecidas neste manual. O incumprimento das instruções sobre a limpeza do exaustor assim como a substituição e a limpeza dos filtros pode provocar um risco de incêndio.

Para evitar qualquer risco de choque elétrico, não utilize o exaustor se as lâmpadas não estiverem no devido lugar.

Não nos responsabilizamos por qualquer disfunção, dano ou incêndio resultante do incumprimento das instruções deste manual.



Este símbolo  aparece no produto ou na sua embalagem em aplicação da diretiva europeia 2002/96/CE sobre os Resíduos de Equipamento Elétrico e Eletrônico (REEE). Esta diretiva serve de regulamento quadro à retoma, reciclagem e valorização dos aparelhos usados em toda a Europa. Este produto deve estar sujeito a uma recolha seletiva. Quando já não o utilizar, entregue-o a um serviço de recolha especializado ou a um centro de tratamento de resíduos que trata dos REEE; contribuirá assim para evitar consequências nefastas para a saúde e o ambiente.

Para qualquer informação sobre a reciclagem deste produto, é favor contactar a câmara ou o serviço da limpeza da sua municipalidade, ou ainda a loja onde o comprou.

Este aparelho foi desenvolvido, testado e fabricado de acordo com as seguintes normas:

- Segurança: EN/IEC 60335-1; EN/IEC 60335-2-31, EN/IEC 62233.
- Performances: EN/IEC 61591; ISO 5167-1; ISO 5167-3; ISO 5168; EN/IEC 60704-1; EN/IEC 60704-2-13; ISO 3741; EN 50564; IEC 62301.
- Compatibilidade eletromagnética: EN 55014-1; CISPR 14-1; EN 55014-2; CISPR 14-2; EN/IEC 61000-3-2; EN/IEC 61000-3-3.

**Sugestões para uma utilização correta de forma a reduzir o impacto sobre o ambiente:** ponha o exaustor em funcionamento à velocidade mínima quando começa a cozinhar e deixe-a funcionar durante alguns minutos após o fim da cozedura. Aumente a velocidade apenas no caso de fumo e de vapor importantes e apenas utilize a função booster em situações extremas. Substitua o(s) filtro(s) de carvão quando é necessário para que os odores sejam eliminados. Limpe o(s) filtro(s) de gordura quando é necessário para manter a sua eficácia. Sobre a bainha de evacuação, escolha o diâmetro máximo indicado neste manual para otimizar a eficácia e minimizar o ruído.

### Instruções suplementares para a instalação

Para a instalação, utilize apenas os parafusos de fixação fornecidos com o produto ou, se não for possível, compre parafusos apropriados. Devem ter o comprimento indicado no Guia de instalação.

No caso de dúvida, consulte o serviço pós-venda autorizado ou uma pessoa qualificada.

**AVISO!** Se os parafusos ou o dispositivo de fixação não estiverem instalados de acordo com estas instruções, pode provocar riscos elétricos.

## UTILIZAÇÃO

O exaustor pode funcionar em modo evacuação ou em modo reciclagem.



### Versão evacuação

Neste caso, os vapores de cozedura são expulsos para o exterior através de um tubo de evacuação que é fixo a um anel de ligação cilíndrico montado na parte superior do exaustor.

**AVISO!** O tubo de evacuação não é fornecido e deve ser comprado à parte. O seu diâmetro deve ser igual ao do anel de ligação cilíndrico.

No seu percurso horizontal, o tubo deve ser ligeiramente inclinado para cima (cerca de 10°) de forma a expulsar o ar mais facilmente para o exterior.

**AVISO!** Se o exaustor estiver equipado de um filtro de carvão, será necessário retirá-lo.

O tubo de evacuação ligado ao exaustor e os orifícios perfurados nas paredes para a passagem do tubo devem ter o mesmo diâmetro que a saída de ar. Se eles tiverem um diâmetro inferior, irá provocar uma diminuição das performances de aspiração e um nítido aumento do ruído. Não nos responsabilizamos relativamente a este assunto.

- ! O tubo não deve ser mais comprido que o necessário.
- ! Os cotovelos do tubo devem ser os menos numerosos possíveis (ângulo máximo do cotovelo: 90°).
- ! Evite as variações excessivas da secção do tubo.
- ! Utilize um tubo mais liso possível na sua parte interna.
- ! O material do tubo deve estar conforme às normas.



## Versão reciclagem

Convém utilizar um filtro de carvão ativo, disponível junto do seu revendedor habitual.

O ar aspirado será desengordurado e desodorizado antes de ser expulso para a peça através da grelha superior.

## INSTALAÇÃO

O exaustor não deve ser instalado a menos de 50 cm acima de uma placa de cozedura elétrica e a menos de 65 cm de uma placa de gás ou mista.

Se o manual de utilização de um fogão ou de uma placa de cozedura a gás prevê uma distância superior, será necessário seguir estas recomendações.



## Ligação elétrica

A tensão e a frequência da rede elétrica da sua habitação devem corresponder à tensão e à frequência indicadas na placa das características colocada no interior do aparelho. Se o exaustor tiver uma ficha elétrica, introduza firmemente a ficha numa tomada mural que deverá ser conforme às regulamentações e normas em vigor; esta ficha deve permanecer acessível após a instalação. Se o exaustor não estiver equipado de um cabo elétrico, ou se a ficha mural não estiver numa zona acessível após instalação, o aparelho deverá ficar ligado diretamente à rede elétrica; será então necessário, de acordo com as regras da arte, prever um disjuntor bipolar normalizado, capaz de separar completamente o aparelho do circuito elétrico no caso de sobretensão de categoria III.

**Aviso:** antes de voltar a ligar o exaustor à rede elétrica e de controlar o seu bom funcionamento, verifique sempre se o cabo de alimentação está corretamente instalado.

O exaustor está equipado de um cabo de alimentação especial; se estiver danificado, terá de encomendar um novo junto do serviço pós-venda.

## Instalação

O aparelho é muito pesado; é melhor prever pelo menos duas pessoas para manipulá-lo e instalá-lo.

Antes de iniciar a instalação:

- Verifique se o produto comprado tem as dimensões adequadas para ser instalado no lugar escolhido.
- Retire o(s) filtro(s) de carvão ativo (\*) se estes forem fornecidos (ver igualmente o capítulo "Manutenção"). Terá de voltar a coloca-los no devido lugar se utilizar o exaustor em modo reciclagem.
- Verifique se não resta qualquer pequeno material no interior do exaustor (saquinho de parafusos (\*), carta de garantia (\*), etc. Se for o caso, retire-os e conserve-os.
- Retire se possível os móveis que enquadram o exaustor e se encontram por baixo do mesmo para aceder mais facilmente à parede ou ao teto onde está fixo. Se não for possível, proteja com uma tela espessa a placa de cozedura, o plano de trabalho e os móveis adjacentes para os proteger dos eventuais danos e sujidades. Escolha uma superfície plana para montar o aparelho. Cubra esta superfície com uma proteção, e depois coloque em cima o exaustor e todas as peças fornecidas.
- Verifique se existe, em proximidade do lugar destinado ao exaustor, uma tomada elétrica que permanecerá acessível quando o aparelho estiver instalado. Certifique-se igualmente que é possível ligar o exaustor a uma bainha de evacuação que dê para o exterior da habitação (apenas se quiser utilizar o aparelho em modo evacuação).
- Realize todos os trabalhos preparatórios (instalação de uma tomada elétrica, realização de um furo para a passagem do tubo de evacuação dos vapores).



O exaustor é entregue com cavilhas de expansão que permitem fixá-lo solidamente à maioria das paredes e tetos. No entanto recomenda-se que um técnico qualificado verifique se as cavilhas e os parafusos estão apropriados para a sua parede/teto. A parede ou o teto devem ser suficientemente sólidos para suportar o peso do exaustor. Não coloque azulejos no exaustor nem junta de silicone ou outro material; deve apenas estar fixo à parede.

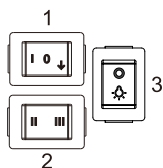
## OPERAÇÃO

Use a velocidade de sucção alta em casos de vapores de cozinha concentrados. Recomenda-se que o exaustor seja ligado por 5 minutos antes do cozimento e deixado em funcionamento durante o cozimento e por aproximadamente mais 15 minutos após o término do cozimento. Abaixo estão descritos três tipos de operação.

## INTERRUPTOR BASCULANTE

A operação do exaustor é controlada por (três) interruptores, localizados em cada lado. Eles são visíveis quando a frente telescópica é ejetada.

O exaustor telescópico está equipado com um interruptor de fim de curso. Toda vez que você ejetar a frente telescópica, o exaustor começará a operar com a marcha definida anteriormente.



- 0 – Desligar o exaustor.  
I – exaustor operando no nível de velocidade 1.  
↓ – alterar para ativar a velocidade de motor II ou a velocidade de motor III.
- II – exaustor operando no nível de velocidade 2 (quando o interruptor 1 está na posição ↓).  
III – exaustor operando no nível de velocidade 3 (quando o interruptor 1 está na posição ↓).
- O / – Acender ou apagar luz (ON / OFF).

O botão é usado para acender ou apagar a luz. A iluminação do exaustor funciona independentemente do mecanismo do aparelho. Pressionar não acionará o motor do exaustor.

Quando o painel frontal é voltado à posição fechada, o interruptor de fim de curso desliga o motor do exaustor e também apaga a luz. Se o motor do exaustor e o interruptor de luz já estiverem no estado LIGADO (ON), o motor do exaustor começará a funcionar e as luzes acenderão quando o painel frontal for puxado.

## CONTROLE DE BOTÕES



- Funcionamento do exaustor LIGADO / DESLIGADO (ON / OFF). Ao pressionar o botão, o exaustor começará a operar no nível de velocidade 1.
- Pressione o botão de velocidade 1 para dar partida no motor com velocidade 1.
- Pressione o botão de velocidade 2 para dar partida no motor com velocidade 2.
- Botão para acender a luz. Pressione novamente para apagar a luz.

## CONTROLE DE TOQUE



- Ⓜ – Pressione o botão On/Off para começar a selecionar as velocidades do motor.
- ↻ – Pressione o botão de velocidade 1 para dar partida no motor com velocidade 1.
- ↻ – Pressione o botão de velocidade 2 para dar partida no motor com velocidade 2.
- ↻ – Pressione o botão de velocidade 3 para dar partida no motor com velocidade 3.
- 💡 – Pressione o botão de luz para acender a luz. Pressione novamente para apagar a luz.

## MANUTENÇÃO

**AVISO:** antes de proceder a qualquer operação de limpeza ou de manutenção, desligue o aparelho da fonte de alimentação elétrica removendo a ficha da tomada elétrica ou, no caso de ligação permanente, desarmando o disjuntor, ou ainda retirando o fusível.

### Limpeza

O exaustor deve ser limpo regularmente no interior e exterior (pelo menos à mesma frequência que os filtros de gordura). Utilize para tal uma esponja macia e um detergente líquido neutro. Evite qualquer produto abrasivo. **NÃO UTILIZE NENHUM ÁLCOOL!**

**AVISO:** se não respeitar as recomendações sobre a limpeza do exaustor e a substituição dos filtros, pode expor-se a um risco de incêndio.

O construtor não é responsável no caso de danos ao motor ou de incêndio resultante de uma manutenção negligente ou do incumprimento das instruções de segurança anteriormente mencionadas.

### Filtros

O **filtro metálico de gordura** retém as partículas gordas provenientes da cozedura. Este filtro deve ser limpo uma vez por mês com um detergente não agressivo, à mão ou na máquina de lavar louça selecionando um programa curto em temperatura moderada. A limpeza na máquina de lavar louça pode descolorir o filtro de gordura, mas isso não altera em nada a sua eficácia. Para retirar o filtro de gordura, puxe a pequena pega de mola.

O **filtro de carvão ativo** (versão reciclagem apenas) neutraliza os odores desagradáveis de cozedura. Fica saturado após uma longa duração de utilização, em função do tipo de cozedura que praticar e da regularidade da limpeza do filtro de gordura. Em todos os casos, é necessário substituir o cartucho pelo menos de 4 em 4 meses. O filtro de carvão não DEVE ser lavado ou regenerado.

### Substituir lâmpadas

O exaustor está equipado de lâmpadas de LED que garantem uma ótima iluminação, duram dez vezes mais tempos que as lâmpadas tradicionais e permitem poupar 90% de eletricidade.

#### AVISO!

Em caso de mau funcionamento do sistema de iluminação, contactar a assistência técnica.

### Conselhos para poupar energia

- 1) Quando começa a cozinhar, ponha o exaustor em funcionamento na velocidade mínima para eliminar os vapores e os odores de cozedura.
- 2) Aumente a velocidade de aspiração apenas no caso de fumos e de vapores importantes;
- 3) Mantenha os filtros em bom estado de limpeza para que estes captam com eficácia os fumos e os odores.

**Należy stosować się do wskazówek, zawartych w niniejszej instrukcji obsługi.** Producent nie ponosi odpowiedzialności za ewentualne nieprawidłowości, szkody czy też pożar, do których mogłoby dojść na skutek niezastosowania się do wskazówek z niniejszej instrukcji. Okap przeznaczony jest do odsysania dymów i pary, które powstają podczas gotowania. Urządzenie przeznaczone jest wyłącznie do użytku domowego, w gospodarstwie domowym.

**Wygląd okapu może się różnić od przedstawionego na rysunkach, załączonych w tej książeczce. Niezależnie od tego instrukcja użytkowania, konserwacji i montażu pozostaje niezmienną.**

- ! Niniejszą instrukcję należy zachować, aby móc w dowolnym momencie ponownie z niej skorzystać. Sprzedając czy oddając urządzenie innemu użytkownikowi należy zadbać, aby zawsze była do niego załączona również instrukcja obsługi.
- ! Uważnie należy zapoznać się z instrukcją obsługi, ponieważ zawiera ważne informacje dotyczące montażu, użytkowania i bezpieczeństwa.
- ! Nie należy dokonywać jakichkolwiek ingerencji w systemy elektryczne czy mechaniczne urządzenia bądź dokonywać zmian na urządzeniu lub jego przewodach i przyłączach.
- ! Przed montażem urządzenia należy sprawdzić, czy jakaś jego część nie została uszkodzona. Jeśli okaże się, że jakaś część składowa urządzenia została uszkodzona, należy powiadomić o tym sprzedawcę i wstrzymać montaż urządzenia.

**Uwaga:** Elementy, oznaczone symbolem "(\*)", stanowią dodatkowe akcesoria, załączone tylko do niektórych modeli urządzeń lub dostępne jako wyposażenie dodatkowe, niezłączone do urządzenia.



### UWAGA!

**OSTRZEŻENIE!** Nie należy przyłączać urządzenia do sieci elektrycznej dopóki montaż nie został zakończony.

Przed czyszczeniem bądź konserwacją, okap kuchenny należy odłączyć z sieci elektrycznej, wyciągając wtyczkę z gniazda sieciowego lub wyłączając główny wyłącznik prądu.

Podczas wszystkich prac montażowych lub konserwacyjnych należy zawsze nosić rękawice robocze.

Urządzenie nie jest przeznaczone do użytkowania przez dzieci lub osoby o zmniejszonych możliwościach fizycznych, ruchowych czy umysłowych lub osoby bez odpowiedniej wiedzy i doświadczenia, chyba że użytkują one urządzenie, będąc pod odpowiednim nadzorem i zgodnie ze wskazówkami osób, odpowiedzialnych za ich bezpieczeństwo.

Urządzenie jest przeznaczone do użytkowania przez osoby dorosłe. Nie należy pozwolić, aby małe dzieci bawiły się urządzeniem.

Urządzenie jest przeznaczone do użytkowania przez osoby dorosłe. Nie należy pozwolić, aby dzieci bawiły się elementami na panelu sterującym lub samym urządzeniem.

Zabrania się używania okapu bez odpowiednio zamocowanej kratki!

Okapu NIGDY nie należy używać jako powierzchni nośnej lub podporowej, chyba że zostało to wyjątkowo dozwolone.

Jeżeli w pomieszczeniu, w którym zamocowany jest okap kuchenny, używane są również przyrządy czy urządzenia, w których spala się gaz ziemny lub inne paliwo, pomieszczenie takie powinno być dobrze wentylowane.

System odprowadzania oparów z urządzenia nie powinien być przyłączony do istniejącego systemu wentylacyjnego, który używany jest do innych celów, na przykład do odprowadzania gazów, które powstają przy spalaniu gazu lub innego rodzajów paliw.

Flambowanie czy też używanie otwartego ognia bezpośrednio pod okapem jest surowo zabronione.

Używanie otwartego ognia uszkadza filtry i stwarza ryzyko pożaru, dlatego należy się go wystrzeżać.

Podczas smażenia należy szczególnie uważać, aby olej się nie przegrzał i nie zapalił. Elementy okapu kuchennego znajdujące się najbliższej mogą się mocno nagrzać podczas działania płyty kuchennej, umieszczonej pod okapem.

Ze względu na zalecenia techniczne jak i bezpieczeństwo, przy odprowadzaniu gazów ważne jest, aby konsekwentnie stosować się do przepisów, określonych przez właściwe instytucje lokalne.

Okap kuchenny należy regularnie czyścić, zarówno z zewnętrznej jak i wewnętrznej strony (PRZYNAJMNIEJ RAZ NA MIESIĄC).


Okap należy czyścić zgodnie ze wskazówkami dotyczącymi konserwacji, zawartymi w niniejszej instrukcji. Niezastosowanie się do niniejszych wskazówek w odniesieniu do czyszczenia okapu i filtrów, stwarza ryzyko pożaru.

Urządzenia nie należy stosować czy też pozostawiać go bez odpowiednio zamontowanej żarówki, ponieważ stwarza to ryzyko porażenia prądem elektrycznym.

Producent nie bierze na siebie odpowiedzialności za błędy, szkodę czy też pożar, powstałe na urządzeniu z powodu nie zastosowania się do wskazówek, zawartych w niniejszej instrukcji obsługi.

Urządzenie oznakowane jest zgodnie z dyrektywą europejską 2002/96/WE w sprawie zużytego sprzętu elektrotechnicznego i elektronicznego. Prawidłowo utylizując niniejszy produkt, zapobiega się niekorzystnym wpływom na środowisko i zdrowie ludzi, do czego mogłoby doprowadzić nieodpowiednie usuwanie niniejszego urządzenia po zakończeniu jego przydatności użytkowej.



Symbol  na produkcie lub jego opakowaniu czy przynależnej do niego dokumentacji oznacza, że niniejszego urządzenia nie należy traktować jako zwykłego odpadu komunalnego, ale że należy je przekazać do autoryzowanego punktu zbiórki i uzdatniania sprzętu elektrotechnicznego i elektronicznego. Urządzenie należy usunąć zgodnie z lokalnymi przepisami o ochronie środowiska, odnoszącymi się do składowania odpadów.

W celu uzyskania dalszych i bardziej szczegółowych informacji, dotyczących prawidłowej utylizacji, zbierania i recyklingu niniejszego urządzenia, należy zwrócić się do właściwych organów władz lokalnych, lokalnego przedsiębiorstwa komunalnego lub do sklepu, gdzie zakupione zostało urządzenie.

Urządzenie zostało zaprojektowane, przetestowane i wykonane zgodnie z następującymi normami bądź przepisami:

- Bezpieczeństwo: EN/IEC 60335-1; EN/IEC 60335-2-31, EN/IEC 62233.
- Efektywność działania: EN/IEC 61591; ISO 5167-1; ISO 5167-3; ISO 5168; EN/IEC 60704-1; EN/IEC 60704-2-13; ISO 3741; EN 50564; IEC 62301.
- EMC (kompatybilność elektromagnetyczna): EN 55014-1; CISPR 14-1; EN 55014-2; CISPR 14-2; EN/IEC 61000-3-2; EN/IEC 61000-3-3.

Zalecenia dotyczące prawidłowego użytkowania, zmniejszające wpływ na środowisko: **WŁĄCZYĆ** okap na najniższej prędkości, gdy rozpoczyna się gotowanie. Pozostawić go włączonego jeszcze przez kilka minut po zakończeniu gotowania. Prędkość bądź stopień działania należy podwyższyć jedynie w przypadku większej ilości dymu i pary, szczególnie intensywne działanie czy też wysoką prędkość należy stosować jedynie w skrajnych sytuacjach. Aby zachować wysoką efektywność usuwania nieprzyjemnych zapachów, należy w razie potrzeby wymienić filtry węglowe (bądź filtr węglowy). W razie potrzeby należy też czyścić filtry tłuszczowe (bądź filtr tłuszczowy), w celu zachowania ich wysokiej efektywności działania. Stosować należy rury odprowadzające o największej średnicy, podanej w niniejszej instrukcji obsługi, efektywność będzie wówczas optymalna przy najniższym poziomie hałasu.

Dodatkowe zalecenia montażu:

Do montażu należy stosować jedynie śruby mocujące, załączone do urządzenia. Jeżeli śruby nie zostały załączone, należy kupić śruby odpowiedniego typu. Użyć należy śrub o odpowiedniej długości, zgodnie z danymi z instrukcji montażu.

W razie jakichkolwiek wątpliwości zalecamy skontaktować się z upoważnionym serwisem, działem pomocy użytkownikom lub inną specjalistycznie wyszkoloną osobą.

**OSTRZEŻENIE!** Jeśli śruby lub obudowa nie zostaną zamocowane zgodnie z niniejszą instrukcją obsługi, może spowodować to ryzyko porażenia prądem elektrycznym.

## SPOSÓB UŻYTKOWANIA

Okap kuchenny wykonany jest w taki sposób, że może być używany w wersji wyciągu albo pochłaniacza zapachów.



### Wersja wyciągu

W tym przypadku dymy zostają odprowadzone na zewnątrz za pomocą specjalnej rury, przyłączonej za pomocą odpowiedniego kołnierza łączeniowego, znajdującego się w górnej części okapu.

**Uwaga!** Rura nie została załączona i należy ją kupić oddzielnie. Średnica rury odprowadzającej powinna być równa średnicy kołnierza łączeniowego.

W poziomym odcinku rura powinna być nieco wygięta do góry (o około 10°), żeby ułatwić odprowadzenie powietrza z pomieszczenia na zewnątrz.

**Uwaga!** Jeżeli okap wyposażony jest w filtry węglowe, należy je usunąć.

Do połączenia okapu i otworu w ścianie do odprowadzania oparów bądź gazów należy zastosować rurę o średnicy jednakowej średnicy otworu wyjściowego w okapie (kołnierza łączeniowego).

Jeżeli średnica rury lub otworu w ścianie jest mniejsza, moc odsysania będzie niższa, a poziom hałasu w znaczący sposób się podwyższy.

W takich przypadkach producent uchyla się od jakiegokolwiek odpowiedzialności.

- ! Rura odprowadzająca powietrze powinna być jak najkrótsza.
- ! Montując rurę odprowadzającą powietrze należy zadbać, aby miała jak najmniej załamań. Największy dozwolony kąt załamania wynosi 90°.
- ! Unikać należy większych zmian przekroju rury odprowadzającej powietrze.
- ! Wewnętrzna powierzchnia rury odprowadzającej powietrze powinna być jak najgładsza.
- ! Rura odprowadzająca powietrze powinna być wykonana z materiałów posiadających odpowiednie certyfikaty.



## Wersja pochłaniacza

Dla tej wersji potrzebny jest jeden filtr węglowy, który należy nabyć w sklepie z urządzeniami gospodarstwa domowego. Filtr usuwa tłuszcze i zapachy z odsysanego powietrza, a następnie tak oczyszczone powietrze oddaje do pomieszczenia poprzez szczeliny wyjściowe w górnej części urządzenia.

## MONTAŻ

Minimalna odległość pomiędzy powierzchnią nośną płyty kuchennej a najniższym elementem okapu nie powinna być mniejsza niż 50 cm w przypadku elektrycznych płyt kuchennych bądź 65 cm w przypadku gazowych lub kombinowanych płyt kuchennych.

Jeśli w instrukcji montażu gazowej płyty kuchennej podana jest większa odległość, należy to uwzględnić.



## Przyłączenie do sieci elektrycznej

Parametry instalacji elektrycznej powinny odpowiadać danym technicznym podanym na tabliczce znamionowej, znajdującej się wewnątrz okapu. Jeżeli na przewodzie przyłączeniowym okapu znajduje się wtyczka, okap należy przyłączyć za pomocą wtyczki, odpowiadającej obowiązującym przepisom i umieszczonej w taki sposób, że po montażu jest ona łatwo dostępna. Jeśli przewód przyłączeniowy nie jest wyposażony we wtyczkę (bezpośrednie przyłączenie do sieci elektrycznej) lub jeżeli wtyczka po zakończonym montażu nie jest łatwo dostępna, należy zainstalować dwubiegunowy wyłącznik, odpowiadający normom i zapewniający całkowicie odcięcie urządzenia od sieci elektrycznej w warunkach przepięciowych klasy III, zgodnie z instrukcją montażu.

**Ostrzeżenie!** Zanim okap zostanie ponownie przyłączony do sieci elektrycznej i zostanie przetestowane jego działanie, zawsze należy sprawdzić, czy przewód przyłączeniowy został prawidłowo zamocowany.

Okap wyposażony jest w specjalny przewód przyłączeniowy; jeżeli jest on uszkodzony, należy ubiegać się o nowy w serwisie naprawczym serwisowego.

## Typ montażu

Urządzenie jest bardzo ciężkie. Przy przemieszczaniu okapu i przy jego montażu powinny uczestniczyć przynajmniej dwie osoby. Przed rozpoczęciem montażu:

- Należy sprawdzić, czy zakupiony produkt jest odpowiedniej wielkości, biorąc pod uwagę wybrany obszar montażu.
- Usunąć należy filtry węglowe czy filtr węglowy (\*), jeżeli są załączone (patrz: odnośny rozdział). Filtry węglowe (czy filtr węglowy) należy zamocować, jeżeli okap będzie używany jako pochłaniacz.
- Sprawdzić należy, czy wewnątrz okapu nie znajduje się jeszcze jakiś materiał lub inny przedmiot (który mógłby tam przedostać się podczas transportu, np. woreczek ze śrubami (\*), karta gwarancyjna (\*) itd.) i je w razie potrzeby usunąć.
- Jeśli jest to możliwe, należy odłączyć i przesunąć wolnostojącą kuchenkę bądź kuchenkę, którą można pociśnąć w wolną przestrzeń pomiędzy elementami kuchennymi, zapewniając sobie w ten sposób łatwiejszy dostęp do ściany za płytą kuchenną bądź do sufitu. Jeżeli nie jest to możliwe, płytę kuchenną bądź kuchenkę należy pokryć grubą matą ochronną, zabezpieczając przed uszkodzeniami i ciałami obcymi. Do składania elementów urządzenia należy wybrać równe podłoże. To podłoże należy pokryć matą ochronną, na której należy postawić wszystkie części składowe okapu kuchennego oraz elementy mocujące.
- Ponadto należy sprawdzić, czy w pobliżu miejsca, gdzie zamierza się zamontować okap (miejsce, które będzie dostępne również po zakończeniu montażu okapu), jest dostępne gniazdko elektryczne oraz czy możliwe jest przyłączenie do instalacji, odprowadzającej opary na zewnątrz.

- Wykonać należy wszystkie potrzebne prace budowlane (np. montaż gniazdka elektrycznego i/ lub wykonanie otworu na rurę odprowadzającą).

W celu zamocowania okapu do większości rodzajów ścian lub sufitów, załączone zostały kołki rozporowe. Niezależnie od tego odpowiednio do tego wyszkolony specjalista powinien sprawdzić, czy materiały są odpowiednie do rodzaju bądź typu ściany/ sufitu. Ściana bądź sufit powinny być na tyle stabilne, aby wytrzymać ciężar okapu. Nie należy próbować zamontować urządzenia w ścianie czy też zabudować go za pomocą płytek, masy fugowej bądź tynku lub kitu silikonowego. Urządzenie przeznaczone jest tylko do montażu naściennego.

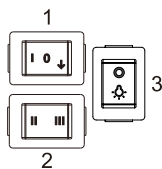
## DZIAŁANIE

Najwyższą prędkość zasysania powietrza należy stosować jedynie w przypadku wysokiej koncentracji oparów podczas gotowania. Zaleca się, aby okap kuchenny włączyć na 5 minut przed rozpoczęciem gotowania, następnie pozostawić, aby działał przez cały czas podczas gotowania, a po zakończeniu gotowania pozostawić, by działał jeszcze przez około 15 minut. Poniżej opisano trzy tryby działania.

## PRZEŁĄCZNIKI

Działaniem okapu można sterować za pomocą trzech przełączników, znajdujących się z obu stron urządzenia. Widoczne są one po częściowym wysunięciu płyty frontowej okapu.

Okap wysuwany wyposażony jest w wyłącznik ograniczający. Za każdym razem, gdy wysunięta zostanie płyta frontowa, okap zacznie działać na ostatni ustawionej mocy.



- 0 – wyłączenie okapu.  
I – Działanie okapu na 1 stopniu mocy.  
↓ – Przełącznik należy ustawić w tej pozycji, aby umożliwić działanie okapu na 2 lub 3 stopniu mocy.
- II – Działanie okapu na 2 stopniu mocy (gdy przełącznik 1 znajduje się w pozycji ↓).  
III – Działanie okapu na 3 stopniu mocy (gdy przełącznik 1 znajduje się w pozycji ↓).
- O / – Włączenie/wyłączenie oświetlenia.

Za pomocą przycisku oznaczonego symbolem należy włączyć lub wyłączyć oświetlenie. Oświetlenie okapu działa niezależnie od silnika okapu. Przyciskając przycisk nie włącza się silnika okapu.

Ponownie zamykając wysuwaną płytę frontową, wyłącznik ograniczający wyłączy zarówno silnik okapu, jak i oświetlenie.

Jeżeli włącznik silnika okapu i włącznik oświetlenia znajdują się w pozycji włączenia, silnik okapu zacznie działać i oświetlenie włączy się zaraz po wysunięciu płyty frontowej okapu.

## STEROWANIE ZA POMOCĄ PRZYCISKÓW



- Włączenie/wyłączenie działania okapu. Po przyciśnięciu tego przycisku okap zacznie działać z prędkością 1 (bądź na 1 stopniu mocy).
- Przyciśnięcie należy przycisk prędkości działania 1, aby uruchomić działanie silnika z prędkością 1.
- Przyciśnięcie należy przycisk prędkości działania 2, aby uruchomić działanie silnika z prędkością 2.
- Po przyciśnięciu tego przycisku, włączy się oświetlenie. W celu wyłączenia oświetlenia, przycisk ten należy ponownie przycisnąć.

## STEROWANIE DOTYKOWE



- ⓘ – Dotknięcie przycisku dotykowego włączenia/wyłączenia, aby umożliwić wybór prędkości działania silnika.
- 1 – Dotknięcie przycisku prędkości działania 1, aby uruchomić działanie silnika z prędkością 1.
- 2 – Dotknięcie przycisku prędkości działania 2, aby uruchomić działanie silnika z prędkością 2.
- 3 – Dotknięcie przycisku prędkości działania 3, aby uruchomić działanie silnika z prędkością 3.
- 💡 – Ten przycisk dotykowy należy dotknąć, chcąc włączyć lampkę lub oświetlenie. W celu wyłączenia oświetlenia, przycisk ten należy ponownie dotknąć.

## KONSERWACJA

**UWAGA!** Przed jakimikolwiek pracami konserwacyjnymi lub ingerencją okap należy wyłączyć z sieci elektrycznej, wyłączając go przy przyłączy i usuwając bezpiecznik przyłączy.

Jeżeli urządzenie przyłączone jest do sieci elektrycznej za pomocą wtyczki, wówczas wtyczkę należy wysunąć z gniazdka.

### Czyszczenie

Okap należy regularnie czyścić (przynajmniej tak samo często, jak czyszczony jest filtr tłuszczowy), zarówno z wewnętrznej jak i zewnętrznej strony. Czyścić należy, używając do tego ściereczki, nasączonej neutralnym środkiem czyszczącym. Nie stosować agresywnych czy ścierających środków czyszczących. **NIE STOSOWAĆ ALKOHOLU!**

**OSTRZEŻENIE:** Zaniedbując podstawowe zalecenia, dotyczące czyszczenia okapu i wymiany filtrów, stwarza się ryzyko wybuchu pożaru. Dlatego zaleca się, aby stosować się do zaleceń. Producent uchyla się od jakiegokolwiek odpowiedzialności za uszkodzenia silnika lub szkodę, powstałą na skutek wybuchu pożaru, jeśli uszkodzenia te lub szkoda są skutkiem nieodpowiedniej konserwacji lub niezastosowania się do powyżej wymienionych zaleceń bezpieczeństwa.

### Filtry

**Metalowy filtr tłuszczowy** zatrzymuje cząstki tłuszczu, uwalniające się podczas gotowania. Filtr tłuszczowy należy czyścić raz w miesiącu za pomocą delikatnych środków czyszczących, ręcznie lub w zmywarce do naczyń, ustawionej na krótki program i niską temperaturę. Jeżeli filtr jest myty w zmywarce do naczyń, może się odbarwić, co w żaden sposób nie wpływa na efektywność filtrowania. Filtr tłuszczowy należy wysunąć, zwalniając uchwyt sprężynowy.

**Filtr węglowy** (tylko w wersji pochłaniająca) pochłania nieprzyjemne zapachy, powstające podczas gotowania. Po dłuższym użytkowaniu dochodzi do nasycenia się filtra – w zależności od sposobu gotowania i tego, jak często czyszczony jest filtr tłuszczowy. W każdym przypadku wkład filtra węglowego należy wymieniać co cztery miesiące. Filtra węglowego NIE wolno myć czy regenerować.

### Wymiana żarówek

Okap jest wyposażony w system oświetlenia, bazujący na technologii LED. Żarówki LED zapewniają optymalne oświetlenie, okres ich eksploatacji jest 10-krotnie dłuższy niż okres eksploatacji zwykłych żarówek, a równocześnie umożliwiają 90 % oszczędność energii elektrycznej.

### UWAGA!

W celu wymiany należy zwrócić się do serwisu obsługi technicznej.

### Wskazówki dotyczące oszczędzania energii elektrycznej

- 1) Okap należy włączyć na początku gotowania, ustawiając najniższą prędkość działania, aby kontrolować wilgoć i odprowadzać zapachy, powstające podczas gotowania.
- 2) Prędkość działania okapu należy podwyższyć jedynie wówczas, gdy jest to konieczne ze względu na ilość oparów.
- 3) Aby uzyskać optymalną skuteczność usuwania tłuszczu i zapachów, należy dbać o czystość filtra bądź filtrów, zamocowanych w okapie.

***Hisense***