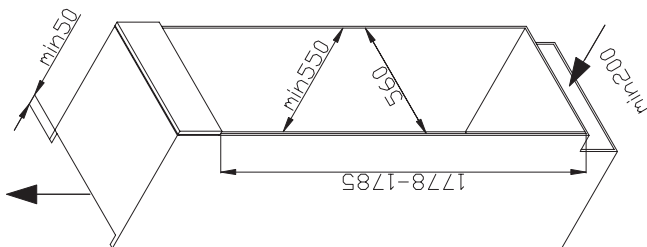
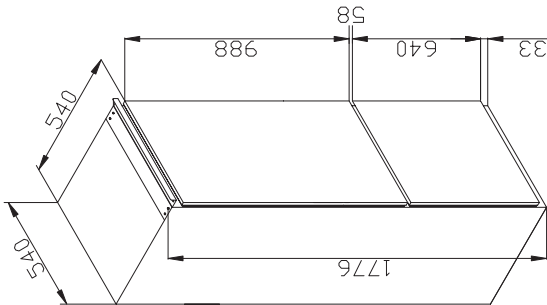
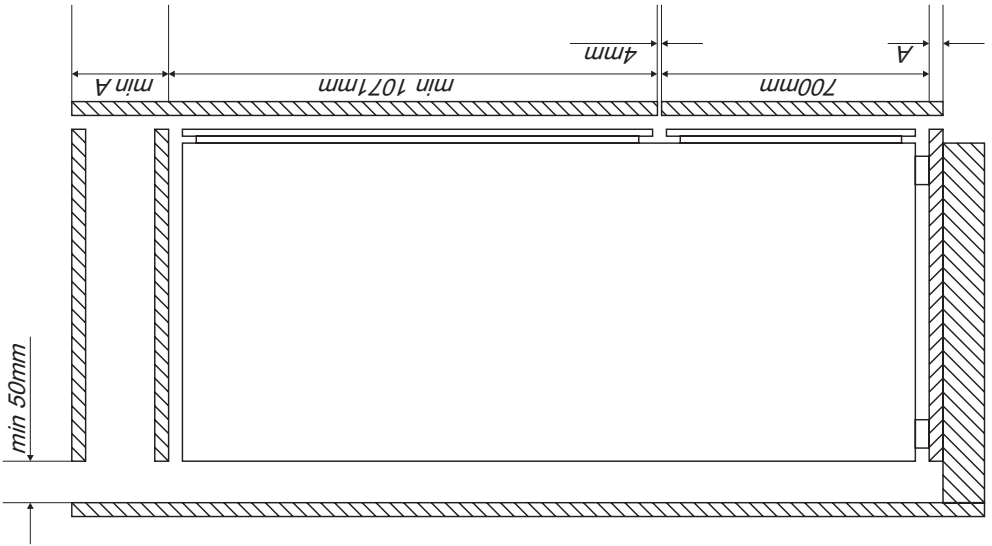
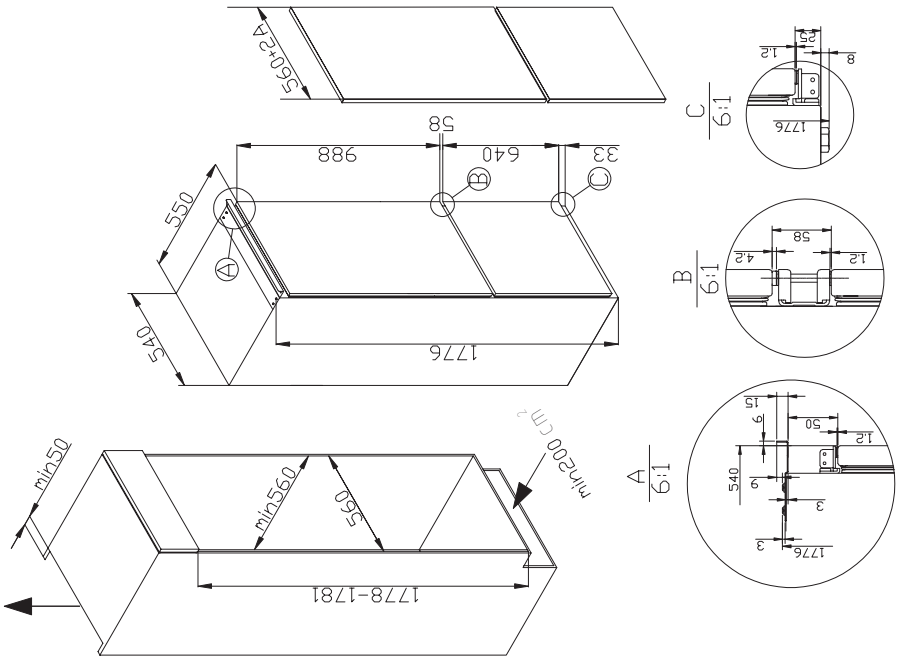
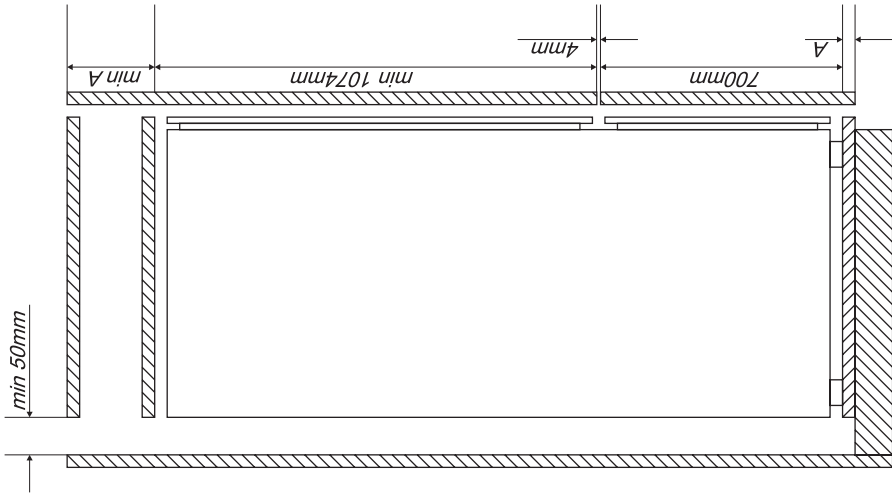


-	EKGC16186	1170383
-	EKGC16187	1170382
BK311.3AA	-	1170324
BK3195.4DFVCAA	-	1171455

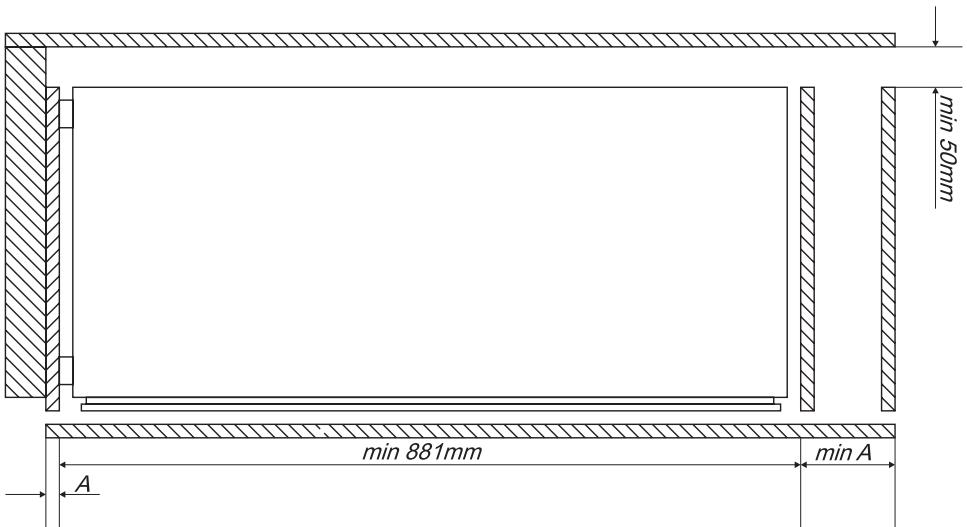
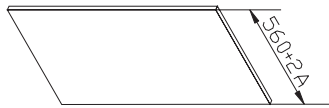
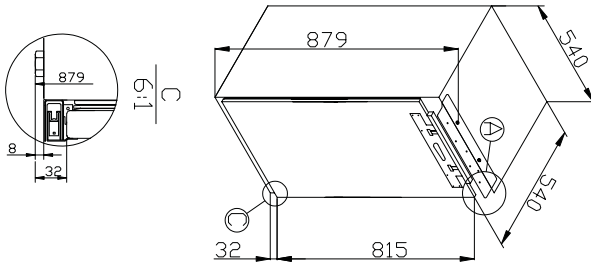
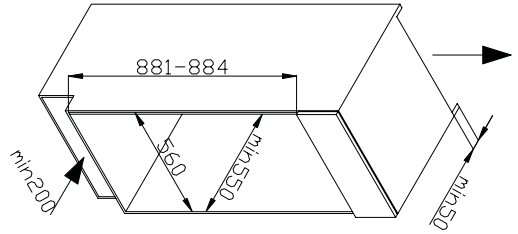
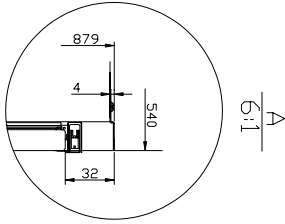
BK315.3F	-	1170532
BK315.3	-	1170533
BK318.3FVC	-	1171249
BK3185.4DFCAA	-	1171256



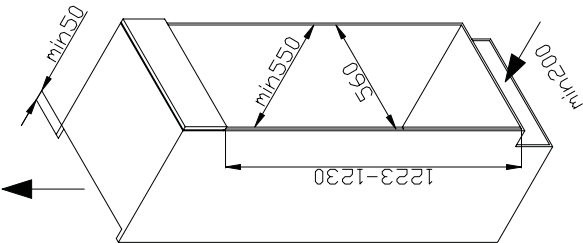
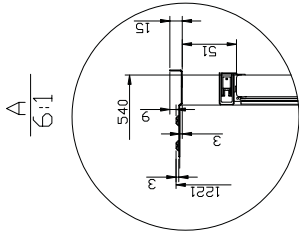
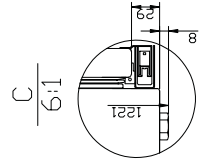
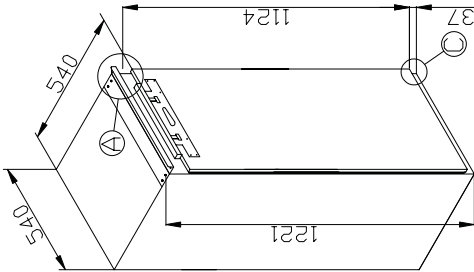
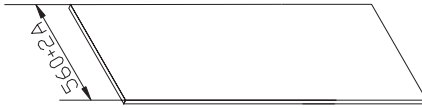
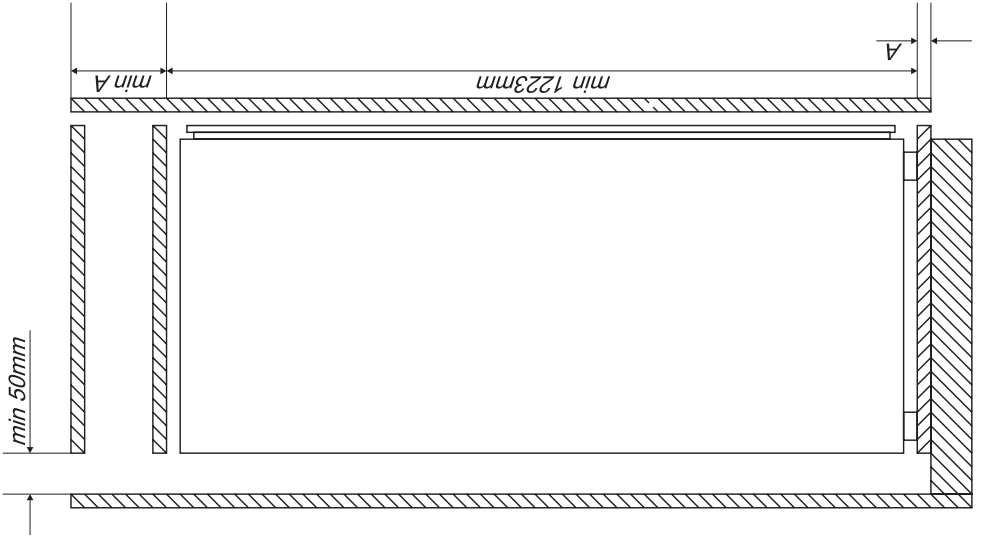
-	EKG CX 387 951	1190604
-	EKG CX 387 901	1190622
BK3245.6DFOMAA	-	1190515




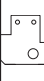

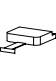





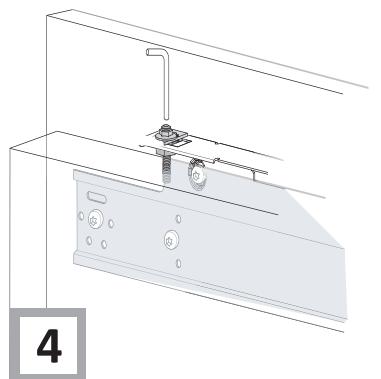
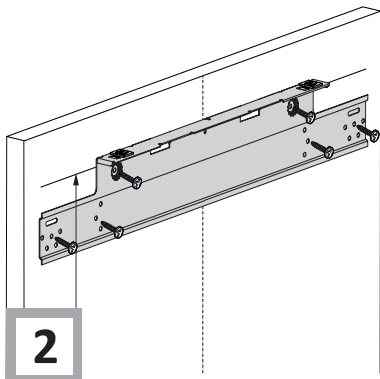
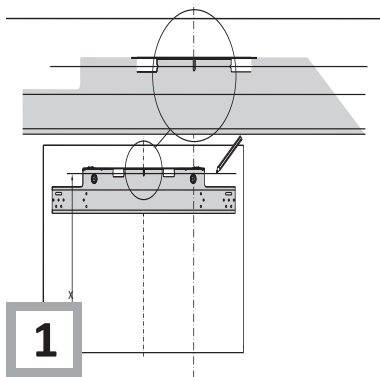
-	EGS16183	1170388
-	EVKS16182	1170387
-	EKS16181	1170386

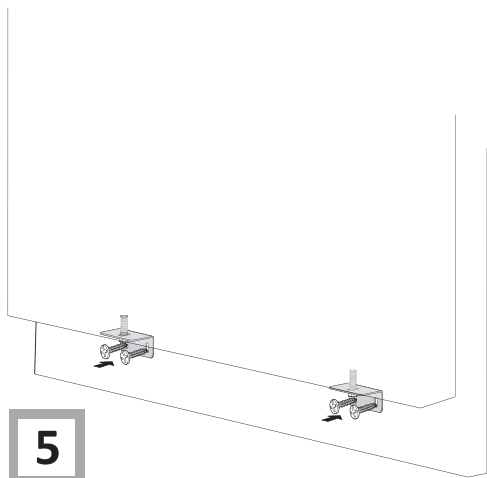


-	EVKS16185	1170385
-	EKS16184	1170384

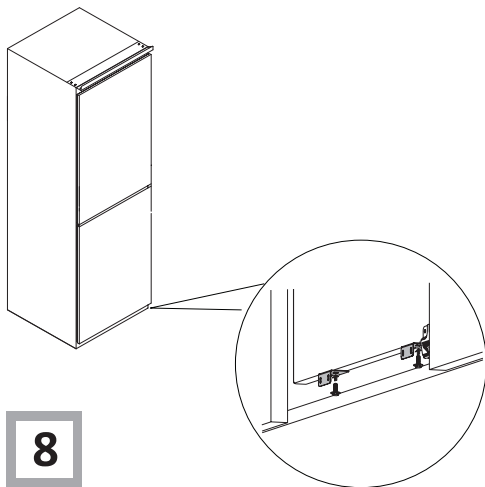


Model	Model II	Code									
-	EGS16183	1170388	16+4	1	~ 0,9m	2	-	-	2	-	-
-	EVKS16182	1170387	16+4	1	~ 0,9m	2	-	-	2	-	-
-	EKS16181	1170386	16+4	1	~ 0,9m	2	-	-	2	-	-
-	EVKS16185	1170385	16+4	1	~ 1,25m	2	4	2	2	-	-
-	EKS16184	1170384	16+4	1	~ 1,25m	2	4	2	2	-	-
-	EKGC16186	1170383	32+8	1	~ 1,8m	4	4	2	4	-	-
BK315.3F	-	1170532	32+8	1	~ 1,8m	4	4	2	4	-	-
BK315.3	-	1170533	32+8	1	~ 1,8m	4	4	2	4	-	-
-	EKGC16187	1170382	32+8	1	~ 1,8m	4	4	2	4	-	-
BK311.3AA	-	1170324	32+8	1	~ 1,8m	4	4	2	4	-	-
BK318.3FVC	-	1171249	32+8	1	~ 1,8m	4	4	2	4	1	1
BK3185.4DFCAA	-	1171256	32+8	1	~ 1,8m	4	4	2	4	1	1
BK3195.4DFVCAA	-	1171455	32+8	1	~ 1,8m	4	4	2	4	1	1
-	EKGCX 387 951	1190604	32+8	1	~ 1,8m	4	4	2	4	1	1
-	EKGCX 387 901	1190622	32+8	1	~ 1,8m	4	4	2	4	-	-
BK3245.6DFOMAA	-	1190515	32+8	1	~ 1,8m	4	4	2	4	1	1

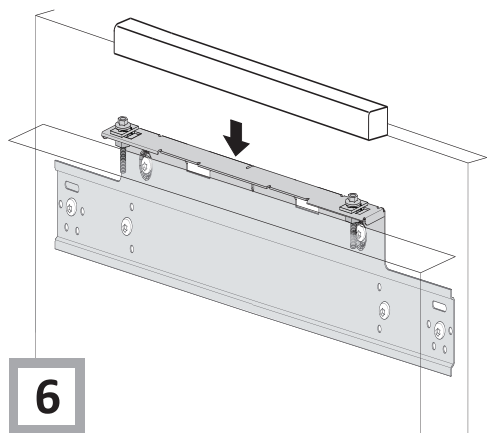




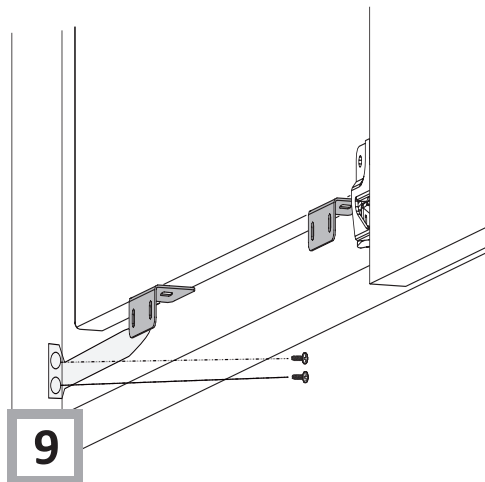
5



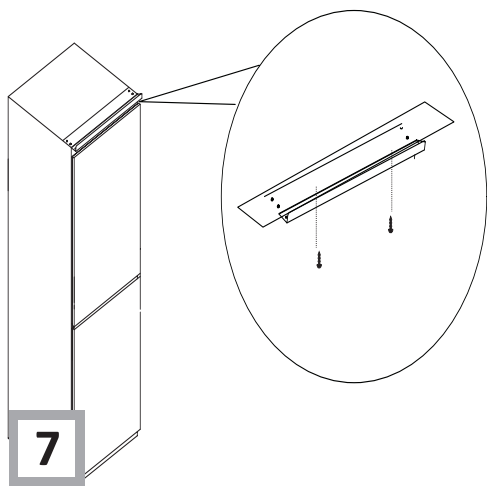
8



6



9



7

