

Instructions for use
Bedienungsanleitung



Directives d'utilisation
Istruzioni per l'uso



Instrucciones de uso
Οδηγίες χρήσης



Instrukcja użytkownika
دليل الاستعمال

ENGLISH	Instructions for use	Page 3
DEUTSCH	Bedienungsanleitung	Seite 12
FRANÇAIS	Consignes d'utilisation	Page 21
ITALIANO	Istruzioni per l'uso	Pagina 30
ESPAÑOL	Instrucciones de uso	Página 39
ΕΛΛΗΝΙΚΑ	Οδηγίες χρήσης	Σελίδα 48
POLSKI	Instrukcja użytkownika	Strona 57

INDEX

Chapter 1: INSTALLATION	4
1.1. INSTALLING SINGLE APPLIANCE	4
1.2. INSTALLING TWO APPLIANCES	4
1.3. ADJUST DOORS (IF AVAILABLE).....	4
Chapter 2: FUNCTIONS	5
2.1. ON/STAND BY	5
2.2. SMART DISPLAY*.....	5
2.3. 6TH SENSE FRESH CONTROL / PROFRESH	5
2.4. DOOR OPEN ALARM.....	5
2.5. VACATION	5
2.6. FAST COOL	5
2.7. ZERO DEGREES DRAWER*	6
2.8. FAN.....	6
2.9. TEMPERATURE SETTING	6
2.10. NO-FROST REFRIGERATOR COMPARTMENT	6
2.11. LED LIGHT SYSTEM*.....	7
2.12. HUMIDITY CONTROLLED CRISPER*	7
Chapter 3: USE	7
3.1. HOW TO INCREASE FRIDGE STORAGE CAPACITY	7
3.2. NOTES	7
Chapter 4: FOOD-STORAGE TIPS	7
4.1. AIR VENTILATION	7
4.2. HOW TO STORE FRESH FOOD AND BEVERAGE	7
4.3. WERE TO STORE FRESH FOOD AND BEVERAGE	8
Chapter 5: FUNCTIONAL SOUNDS	8
Chapter 6: RECOMMENDATION IN CASE OF NO USE OF THE APPLIANCE	9
6.1. ABSENCE / VACATION	9
6.2. MOVING	9
6.3. POWER FAILURE	9
Chapter 7: MAINTENANCE AND CLEANING	9
Chapter 8: TROUBLESHOOTING GUIDE	10
8.1. BEFORE CONTACTING AFTER-SALES SERVICE.....	10
8.2. FAILURES	10
Chapter 9: AFTER-SALES SERVICE	11
Others:	
REVERSE DOOR SWING (VERSION_1).....	75
REVERSE DOOR SWING (VERSION_2).....	77

NOTE:

The instructions apply to several models, so there may be differences. Sections which only apply to certain appliances are indicated with an asterisk (*). Functions which are dedicated specially for your already bought model of product you will find in QUICK START GUIDE.

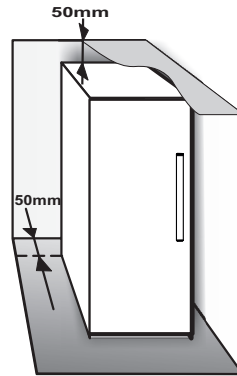
1. INSTALLATION

1.1. INSTALLING SINGLE APPLIANCE

To guarantee adequate ventilation, leave a space on both sides and above the appliance.

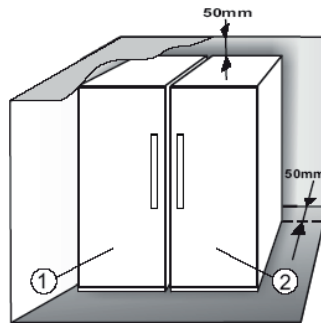
The distance between the rear of the appliance and the wall behind the appliance should be at least 50mm.

A reduction of this space will increase the Energy consumption of product.

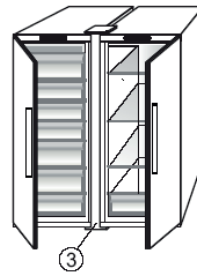


1.2. INSTALLING TWO APPLIANCES

During installing the freezer ① and the fridge ② together ensure that the freezer is located on the left and the fridge on the right (as shown on the drawing). Left side of refrigerator is equipped with special device in order to avoid condensation problems between appliances.



We recommended installing two appliances together using the linking-kit ③ (as shown on the drawing). You can buy it in Service.

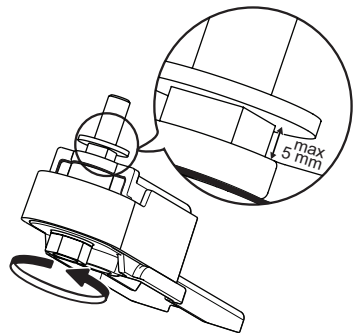


1.3. ADJUST DOORS (IF AVAILABLE)

To level the doors using the adjustable lower hinge (select models)


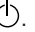
If the refrigerator door is lower than the freezer door, raise the refrigerator door by turning the adjustment screw counterclockwise using a M10 wrench.

If the freezer door is lower than the refrigerator door, raise the freezer door by turning the adjustment screw counterclockwise using a M10 wrench.




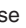
2. FUNCTIONS

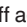

2.1. ON/STAND BY

This function turns On/Stand-by the refrigerator. To put the product in Stand-by, press & hold the On/Stand-by button  for 3 seconds. When the appliance is in Stand-by, the light inside the refrigerator compartment does not work. Remember that this operation does not disconnect the appliance from the power supply. To switch the appliance On again, simply press the On/Stand-By button .

2.2. SMART DISPLAY*

This optional function can be used to save energy. Please follow the instructions contained in the Quick Start Guide to activate/deactivate the function. Two seconds after activation of the Smart Display, the display goes off. To adjust the temperature or use other functions, it is necessary to activate the display by pressing any button.

After activation of the Smart Display, the display goes off, except the “ Sense Fresh Control” /  “ProFresh” indicator. If Smart Display is active - to adjust the temperature or use other functions, it is necessary to activate the display by pressing any button.

After about 15 seconds without performing any action, the display goes off again and only the “ Sense Fresh Control” /  “ProFresh” indicator remains visible. When function is deactivated the normal display is restored. The Smart Display is automatically disabled after a power failure. Remember that this function does not disconnect the appliance from the power supply, but only reduces the power consumed by external display.

Note: The declared appliance energy consumption refers to operation with the Smart Display function activated.

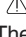
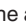
2.3. 6TH SENSE FRESH CONTROL

PROFRESH

This function allows optimum storage conditions (regarding temperature and humidity) to be quickly reached inside the appliance. The fan must also be switched on for it to work properly. The “6th Sense Fresh Control” / “ProFresh” is activated by default. To activate or deactivate this function – see enclosed Quick Start Guide.

After a power blackout or exit from Stand-by to normal mode, the “6th Sense Fresh Control” / “ProFresh” status resets to default i.e. active.

2.4. DOOR OPEN ALARM

The Alarm icon  lights up blinking and the acoustic alarm sounds. The alarm is activated when the door is left open for more than 2 minutes. To disengage the door alarm close the door, or press once Stop Alarm button  to mute the acoustic alarm.

2.5. VACATION

This function can be activated to reduce the energy consumption of the appliance during a period of absence.

Before activating the feature, all perishable food should be removed from the refrigeration compartment and make sure that the door is closed properly, since the refrigerator will maintain a suitable temperature to prevent the formation of unpleasant odors (+12°C).

To activate/ deactivate press the Vacation mode button for 3 seconds. When the function is enabled, the related symbol will light up and the temperature of the refrigerator compartment will be set to a higher setpoint (the temperature display will show the new temperature setpoint of +12°C).

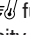
Changing the temperature setpoint will automatically deactivate the function.

Attention:

- **Incompatibility with the “Fast Cool” function**
To guarantee optimal performance, the “Vacation” and “Fast Cool” functions cannot be used at the same time. Therefore, if the “Fast Cool” function has been already engaged, it has to be disengaged first to activate the “Vacation” function (and vice-versa).

2.6. FAST COOL

The use of this function is recommended when placing a very high quantity of food in the refrigerator compartment.

Using Fast Cool  function it is possible to increase the cooling capacity in the refrigerator compartment. To maximize the cooling capacity, please keep the fan switch on.

Attention:

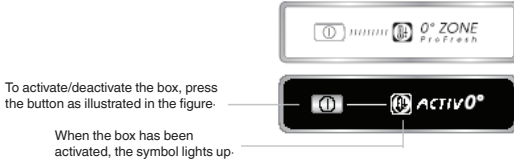
- **Incompatibility with the “Vacation” function**
To guarantee optimal performance, the “Vacation” and “Fast Cool” functions cannot be used at the same time. Therefore, if the “Vacation” function has been already engaged, it has to be disengaged first to activate the “Fast Cool” function (and vice-versa).

*Available on selected models only. Please check on the QUICK START GUIDE if this function is actually available on your model.

2.7. ZERO DEGREES DRAWER*

The Zero Degrees Drawer is specifically designed to maintain a low temperature and a suitable humidity level, in order to keep foods fresher for longer (e.g. meat, fish, fruit and winter vegetables).

Activating and deactivating the box



The temperature inside the box, when active, is approximately 0°. The following factors are vital for the “Zero Degrees” box to work properly:

- the refrigerator compartment must be switched on
- the temperature of the refrigerator compartment must be between +2°C and +5°C
- the box must be inserted to enable activation
- no special functions must have been selected (Standby, Vacation – where applicable).

If one of these special functions has been selected, the “Zero Degrees” box must be deactivated manually, and any fresh food inside it removed. If manual deactivation does not take place, the box will be deactivated automatically after 8 hours.

Note:

- if the symbol does not light up when the function is activated, check that the drawer is properly inserted; if the problem persists, contact your nearest authorized After-sales Service
- if the function is active and the drawer open, the symbol on the control panel may be deactivated automatically. If the drawer is inserted, the symbol will become active again
- irrespective of the state of the function, a slight noise may be heard: this is normal and is not a cause for concern.
- when the function is not active, the temperature in the drawer depends on the general temperature inside the refrigerator.

In this case, we recommend it is used to store fruit and vegetables which are not sensitive to cold temperatures (fruits of the forest, apples, apricots, carrots, spinach, lettuce, etc.).

Important: when the function is activated and there are foodstuffs with a high water content, condensation may form on shelves. In this case, disable the function temporarily.

2.8. FAN

The Fan improves temperature distribution inside the product, allowing better preservation of stored food. By default, the fan is switched on. It is advisable to keep the fan switched on, so that the 6th Sense Fresh Control / ProFresh function can work properly and also when the ambient air temperature is above 27 ± 28°C or if you notice drops of water on the glass shelves or in severe humidity conditions. Please note that when the fan is switched on it will not continuously work. The fan will start/stop working depending on the temperature and/or humidity level inside the product. It is therefore absolutely normal if the fan does not move even if the fan is switched on.

To activate or deactivate this function – see enclosed Quick Start Guide.

Attention: Switching-off the Fan deactivate the 6th Sense Fresh Control / ProFresh function.

Note:

Do not obstruct the air intake area with food items.

To guarantee the right performance at lower ambient temperature (colder than 18°C) and to minimize Energy Consumption, turn off the fan.

To turn off the fan please see above procedure.

If the appliance has the Fan it can be equipped with the **antibacterial filter**.

Remove it from the box placed in the crisper drawer and insert into the cover of fan.

The replacement procedure is included in the filter box.

2.9. TEMPERATURE SETTING

The appliance is normally factory-set for operation at the recommended temperature of 5°C. The internal temperature can be adjusted between 8°C and 2°C, proceeding as follows:

- Press the temperature setting button (°C). The storage temperature can be changed by -1°C with each pressure of the button: the value changes cyclically between 8°C and 2°C.

Note: Displayed set points correspond to the average temperature throughout the whole refrigerator

2.10. NO-FROST REFRIGERATOR COMPARTMENT

Refrigerator compartment defrosting is completely automatic.

Droplets of water on the rear wall inside the refrigerator compartment indicate that the automatic defrost phase is in progress. The defrost water is automatically run into a drain hole and collected in a container, where it evaporates.

*Available on selected models only. Please check on the QUICK START GUIDE if this function is actually available on your model.

2.11. LED LIGHT SYSTEM*

The light system inside the fridge compartment uses LEDs light, allowing a better lighting as well as very low energy consumption. If the LED light system does not work, please contact the Service to replace it.

Important:

The refrigerator compartment light switches on when the refrigerator door is opened. If the door is kept open for more than 10 minutes the light will be automatically switched off.

3. USE

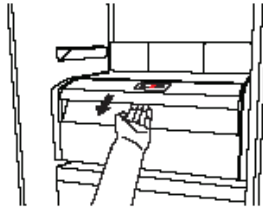
3.1. HOW TO INCREASE FRIDGE STORAGE CAPACITY

You can increase storage capacity by removing the "ZERO DEGREES DRAWER"*

In this case proceed as follows:

- switch off the box
- pull out the drawer and the white plastic shelf underneath the box.

Note: the upper shelf and the side support cannot be removed. To restore "Zero Degrees Drawer" operation, make sure you replace the white plastic shelf underneath the drawer and reactivating the function. To optimise energy consumption, we recommend you deactivate the "Zero Degrees Drawer" and remove it.



4. FOOD-STORAGE TIPS

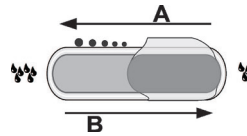
The refrigerator is the ideal storage location for ready meals, fresh and preserved food, dairy products, fruit and vegetables and beverage.

4.1. AIR VENTILATION

- The natural circulation of air in the refrigerator compartment results in zones with different temperatures. It is coldest directly above the fruits and vegetables crisper and at the rear wall. It is warmest at the top front of the compartment.
- Insufficient ventilation results in an increase in energy consumption and reduction of the refrigerating performance.

2.12. HUMIDITY CONTROLLED CRISPER*

The salad crispers fitted inside the fridge have been specially designed for the purpose of keeping fruit and vegetables fresh and crisp. Open the humidity regulator (position B) if you want to store food in a less humid environment like fruit, or close it (position A) to store food in a more humid environment like vegetable.



3.2. NOTES

- Do not block the air outlet area (on the back wall inside the product) with food products.
- If the freezer is provided with a flap, it is possible to maximize the storage volume by removing the flap.
- All shelves, flaps and pull-out baskets are removable.
- The internal temperatures of the appliance may be affected by the ambient temperature, frequency of door opening, as well as location of the appliance. Temperature setting should take into consideration these factors.
- Unless otherwise specified the appliance accessories are not dishwasher safe.
- Use Smart Display function as frequently as possible.

4.2. HOW TO STORE FRESH FOOD AND BEVERAGE

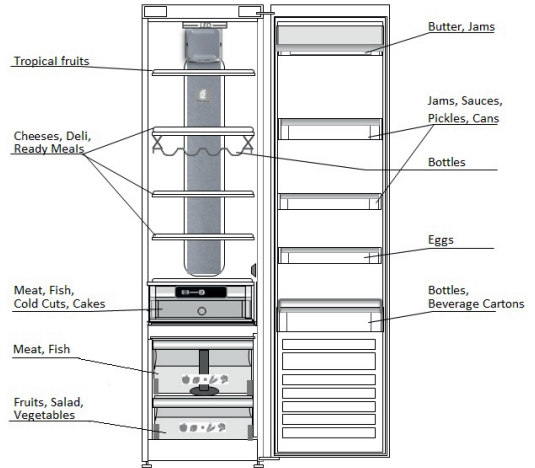
- Use recyclable plastic, metal, aluminum and glass containers and cling film to wrap foods.
- Always use closed containers for liquids and for food that may give off or be tainted by odor or flavor transfer or cover them.
- Foods which give off a large amount ethylene gas and those that are sensitive to this gas, such as fruit, vegetables and salad, should always be separated or wrapped so as not to reduce the storage life; for example do not store tomatoes together with kiwi fruits or cabbage.
- Do not store food too close together to enable sufficient air circulation.
- To avoid bottles falling over, you can use the bottle holder (available on selected models).
- If you have a little quantity of food to store in the refrigerator, we recommend to use the shelves above the crisper for fruits and vegetables since this is the coolest area of the compartment.

*Available on selected models only. Please check on the QUICK START GUIDE if this function is actually available on your model.

4.3. WERE TO STORE FRESH FOOD AND BEVERAGE

- On the fridge shelves: ready meals, tropical fruits, cheeses, deli.
- In the coldest area – Zero Degrees drawer* (the one above Cooler Compartment): meat, fish, cold cuts, cakes
- In the fruits and vegetables crisper: fruits, salad, vegetables.
- In the door: butter, jams, sauces, pickles, cans, bottles, beverage cartons, eggs

EXAMPLE OF FOOD ARRANGEMENT



5. FUNCTIONAL SOUNDS

Sounds coming from your appliances are normal since it has a number of fans and engines to regulate performances that switch on and off automatically.

- Checking if the internal components are correctly placed.
- Checking if bottles and containers are not in contact with each other.

Some of the functional sounds can be reduced through

- Leveling the appliance and installing it on an even surface
- Separating and avoiding contact between the appliance and furniture.

Some of the functional sounds you might hear:

A hissing sound when switching on the appliance for the first time or after a long pause.



A gurgling sound when refrigerant fluid enters into the pipes.



BRRR sound is from the compressor running.



Buzzing sound when water valve or fan start working.



A cracking sound when compressor starts or when ready ice drops into ice box abrupt clicks when compressor switches on and off.



The CLICK is from the thermostat which adjusts how often the compressor is running.



*Available on selected models only. Please check on the QUICK START GUIDE if this function is actually available on your model.

6. RECOMMENDATION IN CASE OF NO USE OF THE APPLIANCE

6.1. ABSENCE / VACATION

In case of vacation its recommended to use up food and to disconnect the appliance to save energy.

6.2. MOVING

1. Take out all internal parts.
2. Wrap them well, and fix them together with adhesive tape so that they do not bang together or get lost.
3. Screw the adjustable feet so that they do not touch the support surface.
4. Close and fix door with adhesive tape and, again using adhesive tape, fix the power cable to the appliance.

6.3. POWER FAILURE

In the event of a power failure, call the local office of your electricity supply company and ask how long it is going to last.

Note: Bear in mind that a full appliance will stay cold longer than a partially filled one.

If food is found to be in a poor condition, it is best to throw it away.

For power failures lasting up to 24 hours.

1. Keep the door of the appliance closed. This will allow the stored food to stay cold as long as possible.

For power failures lasting more than 24 hours.

1. Try to use up the food, which is more easily perishable.

7. MAINTENANCE AND CLEANING

Before any cleaning or maintenance operation, unplug the appliance from the mains or disconnect the electrical power supply.

Periodically clean the appliance with a cloth and a solution of lukewarm water and neutral detergent specifically for refrigerator interiors. Never use abrasives. Never clean refrigerator parts with flammable fluids. The fumes can create a fire hazard or explosion. Clean the outside of the appliance and the door seal with a damp cloth and dry with a soft cloth. Do not use steam cleaners.

Condenser placed in the rear of the appliance should be cleaned regularly using a vacuum cleaner.

Condenser placed in the rear of the appliance should be cleaned regularly using a vacuum cleaner.

Important:

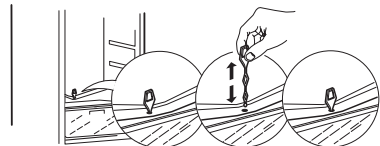
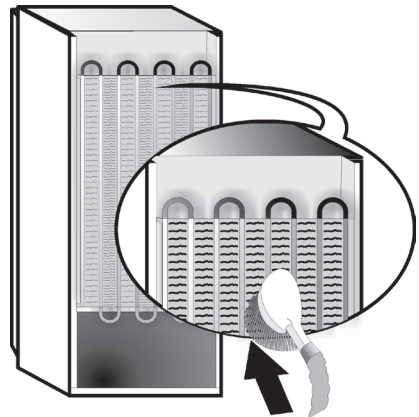
- The buttons and control panel display must not be cleaned with alcohol or alcohol-derived substances, but with a dry cloth.
- The refrigeration system pipes are located near the defrost pan and can become hot. Periodically clean them with a vacuum cleaner.

To ensure continuous and correct flow of defrost water, regularly clean the inside of the draining hole on the back of the refrigerator near the fruit and vegetable drawer, using the tool provided .

Before cleaning the “Zero Degrees Drawer” (including the outside), remove the drawer so as to disconnect the box from the electricity supply.

Clean the box and all its parts regularly, using a cloth and a solution of warm water and neutral detergent specifically formulated for refrigerator interiors (take care not to immerse the white plastic shelf underneath the box in water).

Never use abrasive detergents.



*Available on selected models only. Please check on the QUICK START GUIDE if this function is actually available on your model.


8. TROUBLESHOOTING GUIDE




8.1. BEFORE CONTACTING AFTER-SALES SERVICE...

Performance problems often result from little things you can find and fix yourself without tools of any kind.

PROBLEM	SOLUTION
The appliance is not working:	<ul style="list-style-type: none"> Is the power cable plugged into a live socket with the proper voltage? Have you checked the protection devices and fuses of the electrical system in your home?
If there is water in the defrost pan:	<ul style="list-style-type: none"> This is normal in hot, damp weather. The pan can even be half full. Make sure the appliance is level so that the water does not overflow.
If the edges of the appliance cabinet, which come in contact with the door seal, are warm to the touch:	<ul style="list-style-type: none"> This is normal in hot weather and when the compressor is running.
If the light does not work:	<ul style="list-style-type: none"> Have you checked the protection devices and fuses of the electrical system in your home? Is the power cable plugged into a live socket with the proper voltage? In case the LEDs are broken the user must call the Service for exchange of the same type available only at our After-sales Service Centers or authorized dealers.
If the motor seems to run too much:	<ul style="list-style-type: none"> Motor running time depends on different things: number of door openings, amount of food stored, temperature of the room, setting of the temperature controls. Is the condenser (back the appliance) free of dust and fluff? Are the door properly closed? Are the door seals properly fitted? On hot days or if the room is warm, the motor naturally runs longer. If the appliance door has been left open for a while or if large amounts of food have been stored, the motor will run longer in order to cool down the interior of the appliance.
If the appliance temperature is too high:	<ul style="list-style-type: none"> Are the appliance controls correctly set? Has a large amount of food been added to the appliance? Check that the door is not opened too often. Check that the door close properly.
If the doors do not open and close properly:	<ul style="list-style-type: none"> Check that food packages are not blocking the door. Check that the internal parts or automatic ice maker are not out of position. Check that the door seals are not dirty or sticky. Ensure the appliance is level.

8.2. FAILURES

In the event of operation alarms, they will also be displayed in the digits LEDs, (e.g. Failure1, Failure 2, etc...) call After-sales Service and specify the alarm code. The acoustic alarm sounds, the Alarm icon  lights up and the F letter on the digit display blinks according to failure code described below:

Failure code	Visualization	
Error 2	F letter blink on/off at 0,5 sec. Blinks ON 2 times then remain off for 5 seconds. Pattern repeats.	 x2
Error 3	F letter blink on/off at 0,5 sec. Blinks ON 3 times then remain off for 5 seconds. Pattern repeats.	 x3
Error 6	F letter blink on/off at 0,5 sec. Blinks ON 6 times then remain off for 5 seconds. Pattern repeats.	 x6

*Available on selected models only. Please check on the QUICK START GUIDE if this function is actually available on your model.

9. AFTER-SALES SERVICE

Before contacting After-Sales Service:

Switch the appliance on again to see if the problem has been solved. If it has not, disconnect the appliance from the power supply and wait for about an hour before switching on again.

If, after performing the checks described in the Troubleshooting Guide and switching the appliance on again, your appliance still does not work properly, contact the After-sales Service, explain the problem.

Specify:

- the model and appliance serial number (stated on the rating plate),
- the nature of the problem,

SERVICE 0000 000 00000



- the Service number (the number after the word SERVICE on the data plate on the inside of the appliance),
- your full address,
- your telephone number and area code.

Note:

The direction of door opening can be changed. If this operation is performed by After-sales Service it is not covered by the warranty.

INDEX

Kapitel 1: INSTALLATION	13
1.1. INSTALLATION EINES EINZELGERÄTS.....	13
1.2. INSTALLATION VON ZWEI GERÄTEN	13
1.3. TÜREN EINSTELLEN (FALLS VORHANDEN).....	13
Kapitel 2: FUNKTIONEN	14
2.1. EIN/STAND-BY.....	14
2.2. SMART-DISPLAY*	14
2.3. 6TH SENSE FRESH CONTROL / PROFRESH	14
2.4. ALARM TÜR OFFEN.....	14
2.5. URLAUB.....	14
2.6. SCHNELLKÜHLEN.....	14
2.7. NULL-GRAD-SCHUBLADE*	15
2.8. GEBLÄSE	15
2.9. TEMPERATUREINSTELLUNG	15
2.10. NO-FROST KÜHLRAUM	15
2.11. LED-LICHTSYSTEM*	16
2.12. GEMÜSEFACH MIT FEUCHTIGKEITSREGULIERUNG*	16
Kapitel 3: GEBRAUCH	16
3.1. AUFNAHMEKAPAZITÄT DES KÜHLSCHRANKS ERHÖHEN	16
3.2. HINWEISE.....	16
Kapitel 4: AUFBEWAHRUNGSTIPPS FÜR LEBENSMITTEL	16
4.1. BELÜFTUNG.....	16
4.2. AUFBEWAHREN VON FRISCHEN LEBENSMITTELN UND GETRÄNKEN	16
4.3. AUFBEWAHRUNGORT VON FRISCHEN LEBENSMITTELN UND GETRÄNKEN	17
Kapitel 5: BETRIEBSGERÄUSCHE	17
Kapitel 6: EMPFEHLUNGEN BEI NICHTGEBRAUCH DES GERÄTS	18
6.1. ABWESENHEIT / URLAUB	18
6.2. UMZUG	18
6.3. STROMAUSFALL.....	18
Kapitel 7: WARTUNG UND REINIGUNG	18
Kapitel 8: ANLEITUNG ZUR FEHLERSUCHE	19
8.1. BEVOR SIE DEN KUNDENDIENST KONTAKTIEREN... ..	19
8.2. FEHLER	19
Kapitel 9: KUNDENDIENST	20
Sonstiges:	
TÜRANSCHLAG UMKEHREN (VERSION_1)	75
TÜRANSCHLAG UMKEHREN (VERSION_2)	77

HINWEIS:

Die Anweisungen beziehen sich auf verschiedene Modelle, daher kann es zu Unterschieden kommen. Abschnitte, die sich nur auf bestimmte Geräte beziehen, sind mit einem Sternchen (*) markiert. Funktionen, die sich speziell auf das von Ihnen gekaufte Produktmodell beziehen, finden Sie in der KURZANLEITUNG.

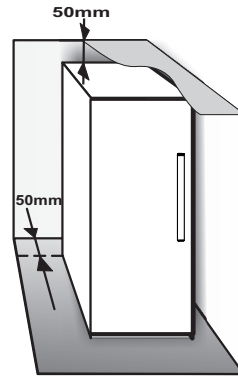
1. INSTALLATION

1.1. INSTALLATION EINES EINZELGERÄTS

Um eine ausreichende Belüftung sicherzustellen, muss an beiden Seiten und über dem Gerät etwas Platz gelassen werden.

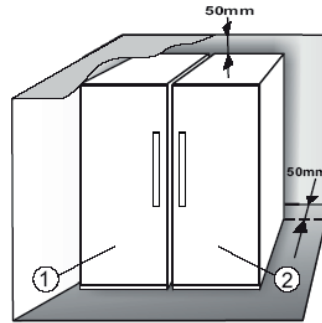
Der Abstand zwischen der Geräterückwand und der Wand hinter dem Gerät sollte mindestens 50 mm betragen.

Eine Verringerung dieses Abstands erhöht den Energieverbrauch des Geräts.

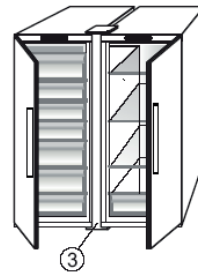


1.2. INSTALLATION VON ZWEI GERÄTEN

Bei gemeinsamer Installation von Gefrierer ① und Kühlschrank ② sicherstellen, dass der Gefrierer sich auf der linken Seite und der Kühlschrank auf der rechten Seite befindet (siehe Zeichnung). Die linke Seite des Kühlschranks besitzt eine spezielle Vorrichtung, um Probleme der Kondensation zwischen den Geräten zu vermeiden.



Wir empfehlen für die Installation von zwei Geräten die Verwendung des Verbindungskit ③ (siehe Zeichnung). Sie können es beim Kundendienst kaufen.

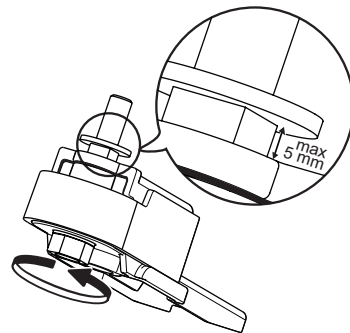


1.3. TÜREN EINSTELLEN (FALLS VORHANDEN)

Um die Türen mit dem verstellbaren unteren Scharnier auszurichten (Modelle auswählen)



Wenn die Kühlschranktür niedriger ist als die Gefrierertür, drehen Sie die Stellschraube entgegen dem Uhrzeigersinn mit einem M10-Schlüssel und erhöhen Sie die Kühlschranktür.

Wenn die Gefrierertür niedriger ist als die Kühlschranktür, drehen Sie die Stellschraube entgegen dem Uhrzeigersinn mit einem M10-Schlüssel und erhöhen Sie die Gefrierertür.




2. FUNKTIONEN


2.1. EIN/STAND-BY

Diese Funktion schaltet das Kühlfach ein oder in den Standby-Modus. Halten Sie die Taste Ein/Standby  3 Sekunden lang gedrückt, um das Gerät in den Standby-Modus zu schalten. Im Standby-Modus ist die Leuchte im Kühlfach nicht aktiviert. Bitte beachten Sie, dass das Gerät im Standby-Modus weiterhin mit Strom versorgt wird. Die Taste Ein/Standby  drücken, um das Gerät wieder einzuschalten.

2.2. SMART-DISPLAY*

Mit dieser optionalen Funktion können Sie Energie sparen. Befolgen Sie die Anweisungen in der Kurzanleitung, um die Funktion zu aktivieren / zu deaktivieren. Zwei Sekunden nach Aktivierung des Smart-Displays schaltet das Display ab. Zum Einstellen der Temperatur oder für andere Funktionen müssen Sie das Display durch Drücken einer beliebigen Taste wieder einschalten.

Nach der Aktivierung des Smart Display, schaltet sich das Display mit Ausnahme der Anzeige „6th Sense Fresh Control“ /  „ProFresh“ aus. Wenn das Smart-Display aktiviert ist - zum Einstellen der Temperatur oder für andere Funktionen, müssen Sie das Display durch Drücken einer beliebigen Taste wieder einschalten.

Nach etwa 15 Sekunden ohne Aktivität schaltet sich das Smart-Display wieder aus, nur die Anzeige „6th Sense Fresh Control“ /  „ProFresh“ bleibt sichtbar. Bei deaktivierter Funktion wird das normale Display wiederhergestellt. Das Smart-Display wird nach einem Stromausfall automatisch deaktiviert. Bitte beachten Sie, dass diese Funktion nicht die Stromversorgung des Geräts unterbricht, sondern nur den Stromverbrauch durch das externe Display verringert.

Hinweis: Der angegebene Energieverbrauch bezieht sich auf den Betrieb mit aktiviertem Smart-Display.



2.3. 6TH SENSE FRESH CONTROL /

PROFRESH

Diese Funktion ermöglicht das rasche Erreichen der optimalen Temperatur- und Feuchtigkeitsbedingungen im Gerät. Für den korrekten Betrieb der Funktion muss das Gebläse eingeschaltet sein. Die Funktionen „6th Sense Fresh Control“ / „ProFresh“ sind standardmäßig aktiviert. Die Anweisungen in der Kurzanleitung befolgen, um diese Funktion zu aktivieren oder deaktivieren.

Nach einem Stromausfall oder Wechsel aus dem Standby-Modus in den Normalmodus, schaltet die Funktion „6th Sense Fresh Control“ / „ProFresh“ in die Werkseinstellung zurück, d. h. auf aktiviert.

2.4. ALARM TÜR OFFEN

Das Alarmsymbol  blinkt und der Alarmton ertönt. Der Alarm wird aktiviert, wenn die Tür länger als 2 Minuten geöffnet bleibt. Schließen Sie die Tür oder drücken Sie die Taste Alarm stoppen , um den Alarmton auszuschalten.

2.5. URLAUB

Diese Funktion kann aktiviert werden, um den Energieverbrauch des Gerätes für die Zeit der Abwesenheit zu verringern.

Vor der Aktivierung der Funktion müssen alle verderblichen Lebensmittel aus dem Kühlfach entfernt werden und es ist sicherzustellen, dass die Tür korrekt geschlossen ist, da der Kühlschrank eine geeignete Temperatur beibehält, um das Auftreten unangenehmer Gerüche zu vermeiden (+12 °C). Zur Aktivierung/Deaktivierung drücken Sie die Taste Urlaub 3 Sekunden lang. Bei aktivierter Funktion leuchtet das entsprechende Symbol auf und die Temperatur des Kühlfachs wird auf einen höheren Einstellwert eingestellt (die Temperaturanzeige zeigt den neuen Temperatureinstellwert von +12 °C). Durch eine Änderung des Temperatureinstellwertes wird die Funktion automatisch deaktiviert.


Achtung:

- **Nicht kompatibel mit der Funktion „Schnellkühlen“**

Um optimale Leistung sicherzustellen können die Funktionen „Urlaub“ und „Schnellkühlen“ nicht gleichzeitig eingesetzt werden. Aus diesem Grund muss die Funktion „Schnellkühlen“ zunächst deaktiviert werden, bevor die Funktion „Urlaub“ aktiviert werden kann (und andersherum).

2.6. SCHNELLKÜHLEN

Diese Funktion sollte beim Einlagern einer größeren Lebensmittelmenge im Kühlfach verwendet werden.

Mit Hilfe der Funktion  „Schnellkühlen“ kann die Kühlkapazität im Kühlfach erhöht werden. Um die Kühlkapazität zu maximieren, muss das Gebläse eingeschaltet bleiben.

Achtung:

- **Nicht kompatibel mit der Funktion „Urlaub“**
- Um optimale Leistung sicherzustellen können die Funktionen „Urlaub“ und „Schnellkühlen“ nicht gleichzeitig eingesetzt werden. Aus diesem Grund muss die Funktion „Urlaub“ zunächst deaktiviert werden, bevor die Funktion „Schnellkühlen“ aktiviert werden kann (und andersherum).

* Verfügbar nur bei ausgewählten Modellen. Bitte sehen Sie in der KURZANLEITUNG, ob diese Funktion auf Ihrem Modell verfügbar ist.

2.7. NULL-GRAD-SCHUBLADE*

Die „Null-Grad-Schublade“ wurde speziell darauf ausgelegt, eine niedrige Temperatur und die korrekte Feuchtigkeit einzuhalten, um frische Lebensmittel länger zu konservieren (zum Beispiel Fleisch, Fisch, Obst und Wintergemüse).

Schublade aktivieren und deaktivieren



Die Temperatur in der Schublade beträgt bei Aktivierung ca. 0°. Die folgenden Faktoren sind unerlässlich, damit die „Null-Grad-Schublade“ einwandfrei funktioniert:

- Das Kühlfach muss eingeschaltet sein
- die Temperatur im Kühlfach muss zwischen +2°C und +5°C betragen
- Die Schublade muss für die Aktivierung eingesetzt sein
- Es dürfen keine Spezialfunktionen gewählt werden (Standby, Urlaub – falls zutreffend).

Wurde eine dieser Spezialfunktionen gewählt, muss die „Null-Grad-Schublade“ manuell deaktiviert werden; frische Speisen müssen herausgenommen werden. Funktioniert die manuelle Deaktivierung nicht, wird die Schublade nach 8 Stunden automatisch deaktiviert.

Hinweis:

- falls sich das Symbol bei der Aktivierung der Funktion nicht einschaltet, überprüfen, dass die Schublade korrekt eingeschoben wurde; sollte die Störung weiterhin bestehen, rufen Sie den Kundendienst
- Ist die Funktion aktiviert und die Schublade geöffnet, wird das Symbol auf dem Bedienfeld möglicherweise automatisch deaktiviert. Nach dem Einsetzen der Schublade wird das Symbol erneut aktiviert
- unabhängig vom Status der Funktion kann ein leichtes Geräusch zu hören sein: dies ist normal und kein Grund zur Beanstandung.
- wenn die Funktion nicht aktiviert ist, hängt die Temperatur in der Schublade von der allgemeinen Temperatur im Kühlschrank ab.

In diesem Fall empfiehlt es sich, hier Obst und Gemüse zu lagern, welches nicht kälteempfindlich ist (Beeren, Äpfel, Aprikosen, Möhren, Spinat, Kopfsalat usw.).

Wichtig: wenn die Funktion aktiviert ist und Lebensmittel mit hohem Flüssigkeitsgehalt vorhanden sind, schlägt sich möglicherweise Kondensation auf den Ablagen nieder. Schalten Sie die Funktion in diesem Fall vorübergehend ab.

2.8. GEBLÄSE

Das Gebläse sorgt für eine gleichmäßige Temperaturverteilung im Gerät und somit für eine optimale Konservierung des Kühlgutes. Normalerweise ist das Gebläse eingeschaltet. Es empfiehlt sich, das Gebläse eingeschaltet zu lassen, damit die Funktion „6th Sense Fresh Control / ProFresh“ korrekt arbeiten kann, wenn die Umgebungstemperatur über 27-28 °C liegt, wenn Wassertropfen auf den Glasablagen entdeckt werden sowie in extrem feuchter Umgebung. Bitte beachten Sie, dass das Gebläse nicht kontinuierlich arbeitet, auch wenn es eingeschaltet ist. Je nach Temperatur und/oder Feuchtigkeitsgrad im Gerät schaltet das Gebläse ab und zu ab oder startet neu. Es ist also völlig normal, wenn sich das Gebläse nicht bewegt, auch wenn es eingeschaltet ist. Um diese Funktion zu aktivieren oder zu deaktivieren – siehe Kurzanleitung im Anhang.

Achtung: Durch die Deaktivierung des Gebläses wird die Funktion 6th Sense Fresh Control / ProFresh ausgeschaltet.

Hinweis:

Den Luftausgabebereich nicht mit Lebensmitteln verdecken.

Für die richtige Leistung bei niedriger Umgebungstemperatur (kühler als 18°C) und zur Verringerung des Energieverbrauchs, das Gebläse ausschalten.

Beachten Sie zum Abschalten des Gebläses die oben genannten Schritte.

Wenn das Gerät mit einem Gebläse ausgestattet ist, kann es mit einem **antibakteriellen Filter** ausgerüstet werden.

Den Filter der Box im Gemüsefach entnehmen und in die Gebläseabdeckung einsetzen.

Die Einbauanleitung liegt dem Filter bei.

2.9. TEMPERATUREINSTELLUNG

In der Regel wird dieses Gerät ab Werk auf die empfohlene Betriebstemperatur von 5 °C eingestellt. Die Innentemperatur kann folgendermaßen zwischen 8 °C und 2°C eingestellt werden:

- Die Temperatur-Einstelltaste (°C) drücken. Mit jedem Tastendruck wird die Lagertemperatur um -1 °C geändert: Der Wert wechselt zyklisch zwischen 8 °C und 2 °C.

Hinweis: Die angezeigten Einstellwerte entsprechen der Durchschnittstemperatur im gesamten Kühlschrank

2.10. NO-FROST KÜHLRAUM

Das Abtauen des Kühlschranks erfolgt vollautomatisch. Wassertropfen auf der Rückwand im Kühlschrank zeigen an, dass der automatische Abtauvorgang läuft. Das Tauwasser läuft automatisch durch eine Abflussöffnung in einen Behälter, in dem es verdampft.

2.11. LED-LICHTSYSTEM*

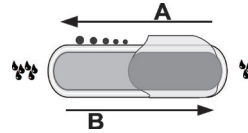
Im Lichtsystem im Inneren des Kühlschranks werden LED-Leuchten eingesetzt. Diese ermöglichen eine bessere Lichtausbeute bei sehr niedrigem Energieverbrauch. Falls das LED-System nicht funktioniert, kontaktieren Sie bitte den Kundendienst, um es zu ersetzen.

Wichtig:

Beim Öffnen der Kühlschranktür schaltet sich die Innenbeleuchtung ein. Falls die Tür mehr als 10 Minuten lang geöffnet bleibt, schaltet sich das Licht von selbst aus.

2.12. GEMÜSEFACH MIT FEUCHTIGKEITSREGULIERUNG*

Die Salatfächer im Kühlschrank wurden speziell dazu entworfen, Obst und Gemüse frisch und knackig zu halten. Den Feuchtigkeitsregler (Position B) öffnen, wenn Speisen wie Obst in einer weniger feuchten Umgebung gelagert werden sollen oder den Feuchtigkeitsregler schließen (Position A), um Speisen wie Gemüse in einer feuchteren Umgebung zu lagern.



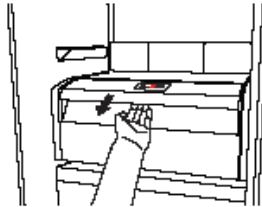
3. GEBRAUCH

3.1. AUFNAHMEKAPAZITÄT DES KÜHLSCHRANKS ERHÖHEN

Sie können die Aufnahmekapazität des Geräts durch Herausnehmen der „NULL-GRAD-SCHUBLADE“* erhöhen. Gehen Sie in diesem Fall wie folgt vor:

- das Fach ausschalten
- Die Schublade und die weiße Kunststoffablage unter dem Fach herausziehen.

Hinweis: Die obere Ablage und die Seitenstützen können nicht entfernt werden. Um die „Null-Grad-Schublade“ wieder einzuschalten, zuerst die weiße Kunststoffablage unter dem Fach und dann die Schublade einsetzen. Um den Energieverbrauch zu optimieren, wird empfohlen, die „Null-Grad-Schublade“ abzuschalten und herauszunehmen.



3.2. HINWEISE

- Blockieren Sie niemals den Luftauslass (an der Rückseite im Gerät) mit Lebensmitteln.
- Ist das Gefrierfach mit einer Klappe ausgestattet, kann das Lagervolumen erhöht werden, indem die Klappe herausgenommen wird.
- Alle Ablageflächen und herausziehbaren Körbe lassen sich herausnehmen.
- Die Innentemperaturen des Geräts hängen von der Raumtemperatur, der Häufigkeit der Türöffnungen und dem Gerätestandort ab. Bei der Temperatureinstellung sind diese Faktoren zu berücksichtigen.
- Falls nicht anderweitig angegeben, ist das Gerätezubehör nicht zum Spülen im Geschirrspüler geeignet.
- Die Funktion Smart-Display so oft wie möglich verwenden.

4. AUFBEWAHRUNGSTIPPS FÜR LEBENSMITTEL

Der Kühlschrank ist der ideale Aufbewahrungsort für Fertiggerichte, frische und konservierte Lebensmittel, Milchprodukte, Obst und Gemüse sowie Getränke.

4.1. BELÜFTUNG

- Die natürliche Luftzirkulation im Kühlschrankinneren führt zu unterschiedlichen Temperaturzonen. Direkt über dem Obst- und Gemüsefach und an der Rückwand ist es am kältesten. Vorn oben ist es am wärmsten.
- Eine unzureichende Belüftung führt zu einem erhöhten Energieverbrauch und zur Verringerung der Kühlleistung

4.2. AUFBEWAHREN VON FRISCHEN LEBENSMITTELN UND GETRÄNKEN

- Wenn Sie es bevorzugen, Ihre Lebensmittel einzupacken, verwenden Sie hierfür bitte Behälter aus recyceltem Kunststoff, Metall, Aluminium und Glas sowie Frischhaltefolie.
- Verwenden Sie stets verschlossene Behälter

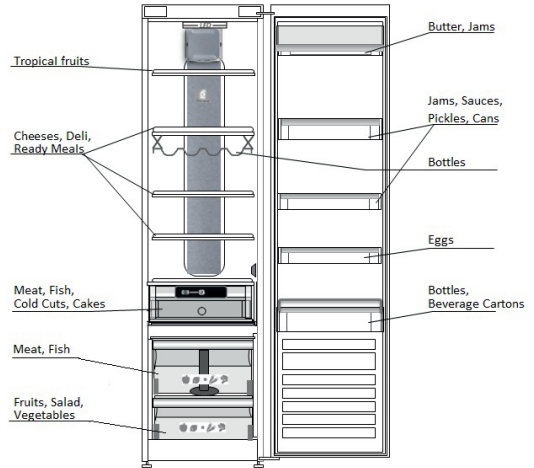
- für Flüssigkeiten sowie für Lebensmittel, die zu Geruchsbildung führen oder hierdurch verderben können bzw. bei denen es zu Geschmacksübertragung kommen kann, oder decken Sie diese ab.
- Lebensmittel, die eine große Menge an Ethylengas abgeben und solche, die empfindlich darauf reagieren, wie Obst, Gemüse und Salat, müssen immer getrennt voneinander oder verpackt aufbewahrt werden, um die Lagerzeit nicht zu verkürzen; bewahren Sie zum Beispiel keine Tomaten mit Kiwi oder Kohl zusammen auf.
- Lagern Sie Lebensmittel nicht zu nah aneinander, um ausreichende Luftzirkulation zu ermöglichen.
- Verwenden Sie den Flaschenhalter (modellabhängig erhältlich), um ein Umkippen von Flaschen zu vermeiden.
- Wenn Sie eine geringe Menge an Lebensmitteln im Kühlschrank aufbewahren möchten, empfehlen wir die Verwendung der Regale über dem Obst- und Gemüsefach, da es sich hierbei um den kältesten Bereich im Kühlschrankinneren handelt.

* Verfügbar nur bei ausgewählten Modellen. Bitte sehen Sie in der KURZANLEITUNG, ob diese Funktion auf Ihrem Modell verfügbar ist.

4.3. AUFBEWAHRUNGORT VON FRISCHEN LEBENSMITTELN UND GETRÄNKEN

- Auf den Kühlschrankregalen: Fertiggerichte, tropische Früchte, Käse, Aufschnitt.
- Im kältesten Bereich – Null-Grad-Schublade* (direkt über dem Kältefach*): Fleisch, Fisch, Wurstwaren, Kuchen
- Im Obst- und Gemüsefach: Obst, Salat, Gemüse.
- In der Tür: Butter, Marmelade, Soßen, eingelegtes Gemüse, Dosen, Flaschen, Getränkekartons, Eier.

BEISPIEL FÜR DIE ANORDNUNG DER LEBENSMITTEL



5. BETRIEBSGERÄUSCHE

Es ist normal, wenn Geräusche aus Ihrem Gerät kommen, da es mit mehreren Gebläsen und mit Motoren zur Leistungsregelung ausgestattet ist, die automatisch aus- und eingeschaltet werden.

- Stellen Sie sicher, dass alle internen Komponenten korrekt platziert sind.
- Stellen Sie sicher, dass Flaschen und Behälter einander nicht berühren.

Manche der Betriebsgeräusche können folgendermaßen reduziert werden:

- Nivellieren Sie das Gerät aus und platzieren Sie es auf ebenem Untergrund
- Vermeiden Sie Kontakt zwischen Gerät und Möbelstücken.

Möglicherweise hörbare Betriebsgeräusche:

Zischgeräusch beim ersten Einschalten oder nach einer langen Betriebspause.



Ein Gluckern, wenn Kältemittel in die Leitungen fließt.



BRRR Geräusch kommt vom laufenden Kompressor.



Ein Summen, wenn Wasserventil oder Gebläse anlaufen.



Ein Knackern, wenn der Kompressor anläuft oder wenn fertige Eiswürfel in den Behälter fallen, oder abruptes Klicken, wenn der Kompressor ein- und ausgeschaltet wird.



Der CLICK kommt von dem Thermostat, der einstellt wie oft der Kompressor läuft.



* Verfügbar nur bei ausgewählten Modellen. Bitte sehen Sie in der KURZANLEITUNG, ob diese Funktion auf Ihrem Modell verfügbar ist.

6. EMPFEHLUNGEN BEI NICHTGEBRAUCH DES GERÄTS

6.1. ABWESENHEIT / URLAUB

Bei längerer Abwesenheit empfiehlt es sich, Lebensmittel zu verbrauchen und das Gerät auszuschalten, um Energie zu sparen.

6.2. UMZUG

1. Nehmen Sie alle inneren Teile heraus.
2. Wickeln Sie alle Teile gut ein und befestigen Sie sie mit Klebeband, damit sie nicht aneinanderschlagen oder verloren gehen.
3. Schrauben Sie die einstellbaren Füße fest, damit sie die Auflagefläche nicht berühren.
4. Schließen Sie die Tür, fixieren Sie sie mit Klebeband und fixieren Sie das Netzkabel ebenfalls mit Klebeband am Gerät.

6.3. STROMAUSFALL

Rufen Sie bei Stromausfall bei Ihrem Stromversorger an und fragen Sie, wie lange der Ausfall andauern wird.

Hinweis: Denken Sie daran, dass ein volles Gerät länger kalt bleibt als ein nur teilweise gefülltes.

Falls der Zustand der Lebensmittel schlecht ist, ist es besser, sie zu entsorgen.

Stromausfälle bis zu 24 Stunden.

1. Halten Sie die Tür des Geräts geschlossen. Lebensmittel können so länger kalt bleiben.

Stromausfälle über 24 Stunden.

1. Versuchen Sie die am ehesten verderblichen Lebensmittel aufzubauchen.

7. WARTUNG UND REINIGUNG

Ziehen Sie vor Reinigungs- und Wartungsarbeiten den Netzstecker des Geräts oder unterbrechen Sie die Stromversorgung.

Reinigen Sie das Gerät regelmäßig mit einem Tuch und einer Lösung aus warmem Wasser und speziellem Neutralreiniger für Kühlschränke. Verwenden Sie niemals Scheuermittel.

Reinigen Sie Kühlschrankteile niemals mit entflammaren Flüssigkeiten. Die Dämpfe können zu Brandgefahr oder Explosion führen. Reinigen Sie das Äußere des Geräts und die Türdichtung mit einem feuchten Tuch und trocknen Sie mit einem weichen Tuch nach.

Verwenden Sie keine Dampfreiniger.

Der Kondensator auf der Geräterückseite sollte regelmäßig mit einem Staubsauger gereinigt werden.

Der Kondensator auf der Geräterückseite sollte regelmäßig mit einem Staubsauger gereinigt werden.

Wichtig:

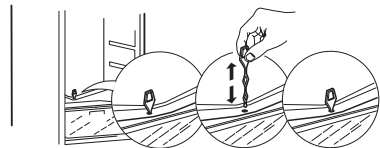
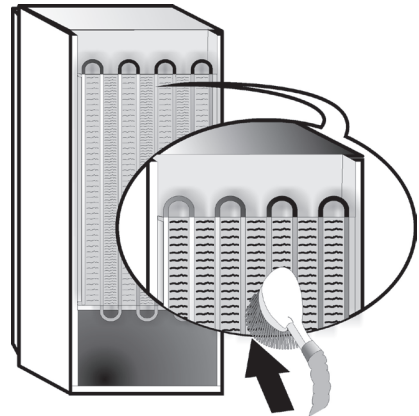
- Tasten und Bedienfeld dürfen nicht mit Alkohol oder alkoholischen Substanzen gereinigt werden. Verwenden Sie nur ein trockenes Tuch.
- Die Leitungen des Kältemittelkreislaufs befinden sich in der Nähe der Tauwasserschale. Sie können sehr heiß werden. Reinigen Sie sie regelmäßig mit einem Staubsauger.

Für einen ständigen und richtigen Abfluss des Tauwassers, das Innere der Ablassöffnung auf der Kühlschrankrückwand in der Nähe des Obst- und Gemüsefachs regelmäßig mit dem mitgelieferten Werkzeug reinigen.

Vor dem Reinigen der „Null-Grad-Schublade“ (einschl. außen), Schublade herausnehmen und damit das Fach von der Stromversorgung trennen.

Das Fach und alle dazugehörigen Teile regelmäßig reinigen; dazu einen Lappen und warmes Wasser mit einem speziellen Neutralreiniger für Kühlschränke verwenden (die weiße Kunststoffablage unter dem Fach darf nicht in Wasser getaucht werden).

Verwenden Sie keine Scheuermittel.



* Verfügbar nur bei ausgewählten Modellen. Bitte sehen Sie in der KURZANLEITUNG, ob diese Funktion auf Ihrem Modell verfügbar ist.


8. ANLEITUNG ZUR FEHLERSUCHE




8.1. BEVOR SIE DEN KUNDENDIENST KONTAKTIEREN...

Betriebsprobleme werden häufig durch Kleinigkeiten verursacht, die Sie selbst finden und ohne jegliches Werkzeug beheben können.

PROBLEM	ABHILFE
Das Gerät funktioniert nicht:	<ul style="list-style-type: none"> Überprüfen, ob das Netzkabel an eine funktionierende Steckdose mit der korrekten Spannung angeschlossen ist. Überprüfen Sie die Schutzeinrichtungen und Sicherungen der Stromversorgung in Ihrem Haus.
Es befindet sich Wasser in der Abtauschale:	<ul style="list-style-type: none"> Bei warmem, feuchtem Wetter ist dies normal. Die Schale kann sogar halbvoll werden. Stellen Sie sicher, dass das Gerät ausnivelliert ist, damit das Wasser nicht überläuft.
Die Kanten des Gehäuses die mit der Türdichtung in Berührung kommen, fühlen sich warm an:	<ul style="list-style-type: none"> Bei warmem Wetter und bei laufendem Kompressor ist dies normal.
Die Beleuchtung funktioniert nicht:	<ul style="list-style-type: none"> Überprüfen Sie die Schutzeinrichtungen und Sicherungen der Stromversorgung in Ihrem Haus. Überprüfen, ob das Netzkabel an eine funktionierende Steckdose mit der korrekten Spannung angeschlossen ist. Falls die LEDs beschädigt sind, muss der Benutzer den Kundenservice kontaktieren. Dieser Lampentyp ist nur durch unseren Kundenservice oder durch autorisierte Händler erhältlich.
Der Motor läuft zu stark:	<ul style="list-style-type: none"> Die Motorlaufzeit hängt von verschiedenen Faktoren ab: Anzahl der Türöffnungen, gelagerte Lebensmittelmenge, Zimmertemperatur, Temperatureinstellungen. Stellen Sie sicher, dass der Kondensator (hinten am Gerät) frei von Staub und Flusen ist. Stellen Sie sicher, dass die Türe richtig schließt. Stellen Sie sicher, dass die Türdichtungen richtig angebracht sind. An heißen Tagen sowie in warmen Räumen läuft der Motor länger. Falls die Tür längere Zeit offen stand und viele Lebensmittel eingelagert sind, läuft der Motor länger, um das Geräteinnere zu kühlen.
Die Temperatur im Gerät ist zu hoch:	<ul style="list-style-type: none"> Stellen Sie sicher, dass die Gerätesteuierungen richtig eingestellt sind. Überprüfen Sie, ob sich eine große Menge an Lebensmitteln in dem Gerät befindet. Stellen Sie sicher, dass die Tür nicht zu häufig geöffnet wird. Stellen Sie sicher, dass die Türe richtig schließt.
Die Türen lassen sich nicht korrekt öffnen oder schließen:	<ul style="list-style-type: none"> Stellen Sie sicher, dass keine Lebensmittelverpackungen die Tür blockieren. Stellen Sie sicher, dass interne Teile oder der automatische Eiswürfelbereiter nicht verkehrt eingesetzt sind. Stellen Sie sicher, dass die Türdichtungen nicht schmutzig oder klebrig sind. Stellen Sie sicher, dass das Gerät ausnivelliert ist.

8.2. FEHLER

Im Falle eines Betriebsalarms wird dieser in der LED-Segmentanzeige angegeben (z. B. Fehler 1, Fehler 2 usw...). Kontaktieren Sie den Kundenservice und geben Sie den Alarmcode an. Der Alarmton ertönt, das Alarmsymbol  leuchtet auf und der Buchstabe F blinkt entsprechend der folgenden Fehlercodes:

Fehlercode	Anzeige
Fehler 2	Buchstabe F blinkt alle 0,5 Sek. Er leuchtet zweimal auf und bleibt dann 5 Sekunden lang aus. Dies wiederholt sich.  x2
Fehler 3	Buchstabe F blinkt alle 0,5 Sek. Er leuchtet dreimal auf und bleibt dann 5 Sekunden lang aus. Dies wiederholt sich.  x3
Fehler 6	Buchstabe F blinkt alle 0,5 Sek. Er leuchtet sechsmal auf und bleibt dann 5 Sekunden lang aus. Dies wiederholt sich.  x6

* Verfügbar nur bei ausgewählten Modellen. Bitte sehen Sie in der KURZANLEITUNG, ob diese Funktion auf Ihrem Modell verfügbar ist.

9. KUNDENDIENST

Bevor sie sich an den Kundenservice wenden:

Das Gerät aus und wieder einschalten, um festzustellen, ob die Störung behoben ist. Falls nicht, trennen Sie das Gerät von der Stromversorgung und warten Sie etwa eine halbe Stunde, bevor Sie es wieder einschalten.

Falls die Störung nach den vorstehend beschriebenen Kontrollen weiter besteht, wenden Sie sich bitte an den Kundendienst und erläutern Sie Ihr Problem.

Sie benötigen dabei folgenden Angaben:

- Gerätetyp und Modellnummer (auf dem Typenschild);
- Eine kurze Beschreibung der Störung;

SERVICE 0000 000 00000



- Die Servicenummer (die Zahl nach dem Wort SERVICE auf dem Typenschild in dem Gerät).
- Ihre vollständige Anschrift,
- Ihre Telefonnummer und Vorwahl.

Hinweis:

Die Öffnungsrichtung der Tür kann umgestellt werden.

Falls dieser Vorgang durch den Kundenservice durchgeführt wird, ist er nicht durch die Garantie abgedeckt.

INDEX

Chapitre 1 : INSTALLATION	22
1.1. INSTALLATION D'UN SEUL APPAREIL	22
1.2. INSTALLATION DE DEUX APPAREILS	22
1.3. CHARNIÈRES AJUSTABLES (SELON LE MODÈLE).....	22
Chapitre 2 : FONCTIONS	23
2.1. MARCHÉ/VEILLE	23
2.2. ÉCRAN INTELLIGENT*.....	23
2.3. CONTRÔLE DE FRAÎCHEUR 6TH SENSE / FRAÎCHEUR PRO.....	23
2.4. ALARME PORTE OUVERTE	23
2.5. VACANCES	23
2.6. REFROIDISSEMENT RAPIDE.....	23
2.7. BAC ZÉRO DEGRÉ*	24
2.8. VENTILATEUR	24
2.9. RÉGLAGE DE LA TEMPÉRATURE.....	24
2.10. COMPARTIMENT RÉFRIGÉRATEUR « NO-FROST »	24
2.11. SYSTÈME D'ÉCLAIRAGE A DEL*	25
2.12 BAC À HUMIDITÉ CONTRÔLÉE*	25
Chapitre 3 : UTILISATION	25
3.1. COMMENT AUGMENTER LA CAPACITÉ DE STOCKAGE DU RÉFRIGÉRATEUR	25
3.2. REMARQUES	25
Chapitre 4 : CONSEILS POUR LA CONSERVATION DES ALIMENTS	25
4.1. AÉRATION	25
4.2. COMMENT CONSERVER LES ALIMENTS FRAIS ET LES BOISSONS	25
4.3. OÙ CONSERVER LES ALIMENTS FRAIS ET LES BOISSONS	26
Chapitre 5 : SONS FONCTIONNELS	26
Chapitre 6 : RECOMMANDATION EN CAS DE NON-UTILISATION DE L'APPAREIL	27
6.1. ABSENCE/VACANCES	27
6.2. DÉMÉNAGEMENT.....	27
6.3. COUPURE DE COURANT.....	27
Chapitre 7 : NETTOYAGE ET ENTRETIEN	27
Chapitre 8 : GUIDE DE DÉPANNAGE	28
8.1. AVANT DE CONTACTER LE SERVICE APRÈS-VENTE.....	28
8.2. ANOMALIES.....	28
Chapitre 9 : SERVICE APRÈS-VENTE	29
Autres :	
INVERSER L'OUVERTURE DE LA PORTE (VERSION_1)	75
INVERSER L'OUVERTURE DE LA PORTE (VERSION_2)	77

REMARQUE :

Ces instructions s'appliquent à plusieurs modèles. Elles peuvent par conséquent différer. Les sections ne concernant que certains modèles sont indiquées par un astérisque (*). Consultez le GUIDE DE DÉMARRAGE pour connaître les fonctions propres au modèle de l'appareil que vous venez d'acquérir.

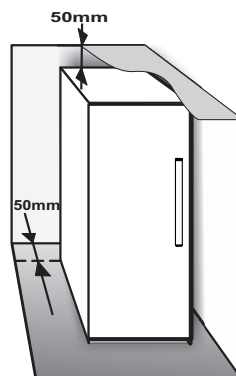
1. INSTALLATION

1.1. INSTALLATION D'UN SEUL APPAREIL

Afin de garantir une aération adéquate, laissez un espace des deux côtés et au-dessus de l'appareil.

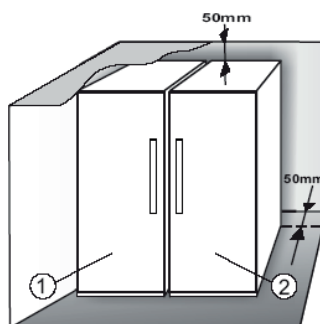
La distance entre l'arrière de l'appareil et le mur derrière l'appareil doit être d'au moins 50 mm.

Une réduction de l'espace recommandé entraîne une augmentation de la consommation d'énergie.

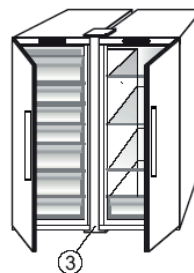


1.2. INSTALLATION DE DEUX APPAREILS

Durant l'installation du congélateur ① et du réfrigérateur ②, assurez-vous que le congélateur est placé à gauche et le réfrigérateur à droite (comme illustré sur l'image). Sur le côté gauche du réfrigérateur se trouve un dispositif spécial permettant d'éviter les problèmes de condensation entre les appareils.



Nous vous recommandons d'installer les deux appareils ensemble à l'aide de la trousse d'attaches ③ (comme illustré sur l'image). Vous pouvez acquérir ce kit auprès du Service Après-Vente.

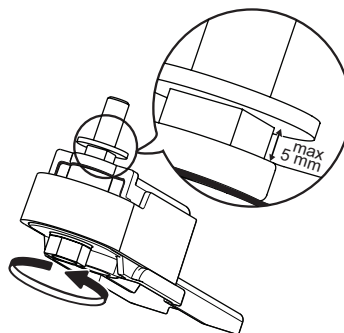


1.3. CHARNIÈRES AJUSTABLES (SELON LE MODÈLE)

Pour niveler les portes à l'aide d'une charnière inférieure ajustable (sur certains modèles)



Si la porte du réfrigérateur est plus basse que la porte du congélateur, soulevez la porte du réfrigérateur en tournant la vis ajustable dans le sens antihoraire en utilisant une clé M10.

Si la porte du congélateur est plus basse que la porte du réfrigérateur, soulevez la porte du congélateur en tournant la vis ajustable dans le sens antihoraire en utilisant une clé M10.


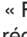



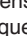
2. FONCTIONS

2.1. MARCHE/VEILLE

Cette fonction permet de mettre le réfrigérateur en mode Marche/Veille. Pour mettre l'appareil en mode Veille, appuyez sur la touche Marche/Veille  pendant 3 secondes. Lorsque l'appareil est en mode Veille, l'éclairage intérieur du compartiment réfrigérateur ne fonctionne pas. Il est bon de rappeler que cette opération ne coupe pas l'alimentation électrique au niveau de l'appareil. Pour rallumer l'appareil, appuyez simplement sur la touche Marche/Veille .

2.2. ÉCRAN INTELLIGENT*

Cette fonction optionnelle peut être utilisée pour réaliser des économies d'énergie. Suivez les instructions du Guide de démarrage pour activer/désactiver cette fonction. L'affichage s'éteint deux secondes après l'activation de la fonction Écran intelligent. Pour régler la température ou utiliser d'autres fonctions, il est nécessaire d'activer l'affichage en appuyant sur une touche quelconque. Après avoir allumé l'Écran intelligent, l'écran s'éteint, à l'exception du voyant « Contrôle de fraîcheur  Sense » /  « Fraîcheur Pro ». Si l'Écran intelligent est activé : pour régler la température ou utiliser d'autres fonctions, il est nécessaire d'activer l'affichage en appuyant sur une touche quelconque.

Après environ 15 secondes d'inaction, l'écran s'éteint de nouveau et seul les voyants « Contrôle de fraîcheur  Sense » /  « Fraîcheur Pro » demeurent visibles. Dès que cette fonction est désactivée, l'affichage normal est rétabli. La fonction Écran intelligent est automatiquement désactivée après une panne de courant. N'oubliez pas que cette fonction ne coupe pas l'alimentation électrique au niveau de l'appareil, mais réduit uniquement l'énergie consommée par l'affichage externe.


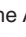
Remarque : la consommation d'énergie déclarée fait référence au fonctionnement de l'appareil lorsque la fonction Écran intelligent est activée.

2.3. CONTRÔLE DE FRAÎCHEUR 6TH SENSE /

FRAÎCHEUR PRO

Cette fonction permet d'atteindre rapidement des conditions de conservation optimales (en termes de température et d'humidité) à l'intérieur de l'appareil. Pour que cette fonction soit pleinement efficace, il est nécessaire d'activer également le ventilateur. Le « Contrôle de fraîcheur 6th Sense » / « Fraîcheur Pro » s'active automatiquement. Voir le Guide de démarrage rapide pour activer ou désactiver cette fonction. Après une panne de courant, ou lorsque vous passez du mode Veille au mode normal, la condition du « Contrôle de fraîcheur 6th Sense » / « Fraîcheur Pro » est réinitialisée au réglage par défaut, p. ex. active.

2.4. ALARME PORTE OUVERTE

L'icône Alarme  clignote et le signal sonore se déclenche. L'alarme se déclenche si la porte reste ouverte pendant plus de 2 minutes. Pour désactiver l'alarme de la porte, fermez la porte ou appuyez une fois sur la touche Arrêt d'alarme  pour éteindre l'alarme sonore.

2.5. VACANCES

Vous pouvez activer cette fonction afin de réduire la consommation d'énergie de l'appareil lorsque vous vous absentez.

Avant l'activation de la fonction, retirez tous les aliments périssables du compartiment réfrigérateur et assurez-vous que la porte est fermée correctement, puisque le réfrigérateur maintiendra une température appropriée pour empêcher l'apparition d'odeurs désagréables (+12 °C).

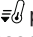
Pour activer/désactiver cette fonction, appuyez sur la touche du mode Vacances pendant 3 secondes. Lorsque la fonction est activée, le symbole correspondant s'allume et la température du compartiment réfrigérateur sera réglée sur un point de réglage supérieur (l'affichage de température indique le nouveau point de réglage de température de +12 °C). Le changement du point de consigne de la température désactive automatiquement la fonction.

Important :

- **Incompatibilité avec la fonction « Refroidissement rapide »**
Pour garantir des performances optimales, il est impossible d'utiliser simultanément les fonctions « Vacances » et « Refroidissement rapide ». Par conséquent, si vous avez déjà activé la fonction « Refroidissement rapide », vous devez la désactiver avant d'utiliser la fonction « Vacances » (et vice versa).

2.6. REFROIDISSEMENT RAPIDE

L'utilisation de cette fonction est recommandée lorsque vous placez une très grande quantité d'aliments dans le compartiment du réfrigérateur.

La fonction Refroidissement rapide  permet d'augmenter la capacité de refroidissement dans le compartiment réfrigérateur. Pour maximiser la capacité de refroidissement, laissez le ventilateur en marche.

Important :

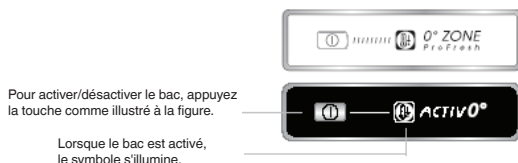
- **Incompatibilité avec la fonction « Vacances »**
Pour garantir des performances optimales, il est impossible d'utiliser simultanément les fonctions « Vacances » et « Refroidissement rapide ». Par conséquent, si vous avez déjà activé la fonction « Vacances », vous devez la désactiver avant d'utiliser la fonction « Refroidissement rapide » (et vice versa).

*Disponible sur certains modèles uniquement. Consultez le GUIDE DE DÉMARRAGE pour savoir si votre modèle est doté de cette fonction.

2.7. BAC ZÉRO DEGRÉ*

Le bac zéro degré est spécifiquement conçu pour maintenir une température faible et un taux d'humidité optimal afin de conserver les aliments plus longtemps, notamment la viande, le poisson, ainsi que les fruits et les légumes d'hiver.

Activation et désactivation du bac



Lorsque le bac est activé, la température interne est d'environ 0 °C. Il est essentiel de respecter les points suivants pour assurer le fonctionnement optimal du « Zéro degré » :

- le compartiment réfrigérateur doit être allumé
- la température du compartiment réfrigérateur doit être entre +2°C et +5°C ;
- le bac doit être inséré avant d'activer cette fonction - Aucune fonction spéciale (Veille, Vacances, etc.) ne doit avoir été sélectionnée.

Si l'une de ces fonctions spéciales a été sélectionnée, vous devez désactiver manuellement le bac « Zéro degré » et retirer les aliments frais qu'il contient. Si vous ne désactivez pas le bac manuellement, il sera désactivé automatiquement au bout de 8 heures.

Remarque :

- si le symbole ne s'allume pas lorsque la fonction est activée, assurez-vous que le bac est bien inséré ; Si le problème persiste, contactez un Service Après-vente agréé
- si la fonction est activée alors que le bac est ouvert, le symbole sur le panneau de commande peut s'éteindre automatiquement. Le symbole réapparaît dès que le bac est inséré
- sans tenir compte de la condition de la fonction, vous pourriez entendre un faible bruit : cela est tout à fait normal et n'indique aucun dysfonctionnement.
- lorsque la fonction n'est pas active, la température à l'intérieur du bac dépend de la température à l'intérieur du réfrigérateur.

Dans ce cas, nous vous recommandons d'utiliser le bac pour y stocker des fruits et des légumes qui ne sont pas sensibles aux basses températures (fruits des bois, pommes, abricots, carottes, épinards, laitue, etc.).

Important : si la fonction est activée et si des aliments à haute teneur en eau sont présents, de la condensation pourrait se former sur les clayettes. Dans ce cas, désactivez temporairement la fonction.

2.8. VENTILATEUR

Le ventilateur assure une diffusion homogène de la température à l'intérieur du produit, garantissant ainsi une meilleure conservation des aliments. Le ventilateur est activé par défaut. Il est recommandé de ne pas désactiver le ventilateur afin que la fonction Contrôle de fraîcheur 6th Sense / Fraîcheur Pro puisse fonctionner adéquatement, lorsque la température ambiante dépasse les 27 à 28 °C, si des gouttes d'eau sont présentes sur les tablettes en verre, ou encore si le taux d'humidité est particulièrement élevé. Il convient de noter que, même s'il est activé, le ventilateur ne fonctionne pas en continu. Il s'activera ou se désactivera en fonction de la température et/ou du niveau d'humidité à l'intérieur de l'appareil. Par conséquent, il est normal que le ventilateur ne tourne pas même s'il est activé.

Pour activer ou désactiver cette fonction, reportez-vous au Guide de démarrage fourni.

Important : éteindre le ventilateur désactive la fonction Contrôle de fraîcheur 6th Sense / Fraîcheur Pro.

Remarque :

Évitez d'obstruer les zones d'arrivée d'air avec des aliments.

Afin d'optimiser la consommation d'énergie et de garantir de bonnes performances de l'appareil, veuillez à éteindre le ventilateur lorsque la température ambiante est inférieure à 18 °C.

Pour éteindre le ventilateur, suivez la procédure décrite ci-dessus.

Si votre appareil est équipé d'un ventilateur, celui-ci peut être doté d'un **filtre antibactérien**.

Sortez le filtre de la boîte située dans le bac à fruits et légumes et introduisez-le dans le couvercle du ventilateur.

Les instructions de remplacement se trouvent dans la boîte du filtre.

2.9. RÉGLAGE DE LA TEMPÉRATURE

L'appareil est normalement réglé en usine pour fonctionner à la température recommandée de 5 °C. Il est possible de régler la température intérieure entre 2°C et 8°C en procédant comme suit :

- Appuyez sur la touche de réglage de la température (°C). Chaque pression permet de modifier la température de stockage de -1 °C : la valeur change de manière cyclique entre 8 °C et 2 °C.

Remarque : les points de réglage affichés correspondent à la température moyenne dans tout le réfrigérateur

2.10. COMPARTIMENT RÉFRIGÉRATEUR « NO-FROST »

Le dégivrage du compartiment réfrigérateur est entièrement automatique.

La présence périodique de gouttelettes d'eau sur la paroi arrière du compartiment réfrigérateur indique qu'un dégivrage automatique est en cours. L'eau de dégivrage est automatiquement acheminée jusqu'à un orifice d'évacuation, puis est recueillie dans un récipient avant de s'évaporer.

*Disponible sur certains modèles uniquement. Consultez le GUIDE DE DÉMARRAGE pour savoir si votre modèle est doté de cette fonction.

2.11. SYSTÈME D'ÉCLAIRAGE A DEL*

Le système d'éclairage à l'intérieur du compartiment réfrigérateur comporte des ampoules à LED, ce qui permet un meilleur éclairage, ainsi qu'une consommation d'énergie plus faible. Si le système d'éclairage DEL ne fonctionne pas, contactez le Service Après-vente pour le remplacer.

Important :

L'éclairage du compartiment réfrigérateur s'allume à l'ouverture de la porte. Si la porte est laissée ouverte pendant plus de 10 minutes, l'ampoule s'éteint automatiquement.

3. UTILISATION

3.1. COMMENT AUGMENTER LA CAPACITÉ DE STOCKAGE DU RÉFRIGÉRATEUR

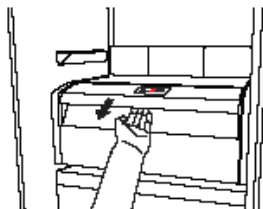
Vous pouvez augmenter la capacité de stockage en

retirant le « BAC ZÉRO DEGRÉ »*

Dans ce cas, procédez comme suit :

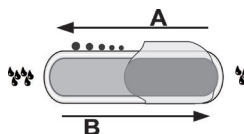
- éteignez le bac
- retirez le bac et la tablette en plastique blanc située sous le bac.

Remarque : vous pouvez retirer la clayette supérieure et le support latéral. Pour remettre en place le « Bac zéro degré », veuillez à replacer la clayette en plastique blanc sous le compartiment avant d'insérer le bac et de réactiver la fonction. Pour optimiser la consommation d'énergie, nous vous recommandons de désactiver le « Bac zéro degré » et de la retirer.



2.12 BAC À HUMIDITÉ CONTRÔLÉE*

Les bacs à salade installés dans le réfrigérateur sont spécialement conçus pour garder les fruits et légumes frais et croquants. Ouvrez le régulateur d'humidité (position B) si vous désirez conserver des aliments dans un environnement moins humide (p. ex. des fruits), ou fermez-le (position A) pour conserver les aliments dans un environnement plus humide (p. ex. des légumes).



3.2. REMARQUES

- N'obstruez pas les sorties d'air (sur la paroi arrière, à l'intérieur de l'appareil) avec des aliments.
- Si le congélateur dispose d'un rabat, vous pouvez maximiser le volume de conservation en le retirant.
- Toutes les tablettes, les rabats, et les paniers coulissants sont amovibles.
- La température intérieure de l'appareil est affectée par la température ambiante, la fréquence d'ouverture des portes, et l'endroit où l'appareil est installé. Le réglage de la température doit toujours prendre ces facteurs en compte.
- À moins d'indication contraire, les accessoires de l'appareil ne peuvent pas être lavés au lave-vaisselle.
- Utilisez la fonction Écran intelligent aussi souvent que possible.

4. CONSEILS POUR LA CONSERVATION DES ALIMENTS

Le réfrigérateur constitue le lieu de stockage idéal pour les plats préparés, les aliments frais et en conserve, les produits laitiers, les fruits et légumes et les boissons.

4.1. AÉRATION

- La circulation naturelle de l'air dans le compartiment réfrigérateur produit des zones avec des températures différentes. La zone la plus froide se trouve juste au-dessus du bac à fruits et légumes et au niveau de la paroi arrière. La zone la plus chaude se trouve au niveau supérieur avant du compartiment.
- Une mauvaise aération conduit à une augmentation de la consommation d'énergie et une réduction des performances du réfrigération.

4.2. COMMENT CONSERVER LES ALIMENTS FRAIS ET LES BOISSONS

- Utilisez des récipients recyclables en plastique, en métal, en aluminium, ou en verre, ou une pellicule autocollante pour envelopper les aliments.

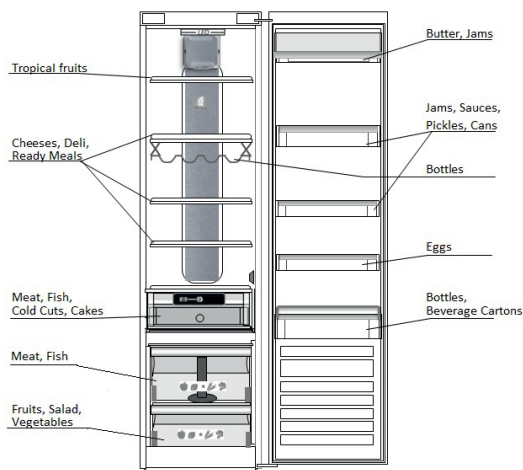
- Utilisez toujours des récipients fermés pour les liquides et les aliments qui dégagent ou absorbent des odeurs ou des saveurs, ou recouvrez-les.
- Les aliments qui laissent échapper une grande quantité de gaz éthylène, et ceux qui sont sensibles à ce gaz, comme les fruits, les légumes, et la salade, doivent toujours être séparés ou enveloppés de façon à ne pas réduire la durée de conservation ; par exemple, n'entrez pas les tomates avec les kiwis ou les choux.
- Ne placez pas les aliments trop près les uns des autres afin de permettre une bonne circulation d'air.
- Pour éviter que les bouteilles ne tombent, vous pouvez utiliser le porte-bouteilles (disponible sur certains modèles).
- Si vous avez une petite quantité de nourriture à conserver dans le réfrigérateur, nous vous conseillons d'utiliser les tablettes situées au-dessus du bac à fruits et légumes ; cette zone est la plus froide du compartiment.

*Disponible sur certains modèles uniquement. Consultez le GUIDE DE DÉMARRAGE pour savoir si votre modèle est doté de cette fonction.

4.3. OÙ CONSERVER LES ALIMENTS FRAIS ET LES BOISSONS

- Sur les tablettes du réfrigérateur : plats préparés, fruits tropicaux, fromages, charcuterie.
- Dans la zone la plus froide - le bac Zéro degré* (situé au-dessus du compartiment de refroidissement*) : Viande, poisson, viandes froides, gâteaux
- Dans le bac à fruits et légumes : fruits, salade, légumes.
- Dans la porte : beurre, confitures, sauces, cornichons, conserves, bouteilles, boissons en brique, œufs

EXEMPLE DE DISPOSITION DES ALIMENTS



5. SONS FONCTIONNELS

Les bruits provenant de votre appareil sont tout à fait normaux. Votre appareil est en effet doté de ventilateurs et de moteurs qui contrôlent automatiquement la mise sous et hors tension.

Pour réduire certains bruits de fonctionnement, vous pouvez

- Nivelez l'appareil et installez-le sur une surface plane

- Éviter le contact entre l'appareil et les meubles adjacents.
- Assurez-vous que les accessoires internes sont correctement installés.
- Assurez-vous que les bouteilles et les récipients ne s'entrechoquent pas.

Votre appareil peut émettre les bruits de fonctionnement suivants :

Un sifflement la première fois que vous mettez l'appareil en marche, ou après une longue pause.



Un gargouillement quand le fluide réfrigérant s'écoule dans les tuyaux.



Un grondement qui correspond au fonctionnement du compresseur.



Un bourdonnement lorsque le robinet d'eau ou le ventilateur se met en marche.



Un craquement lorsque les glaçons tombent dans le bac, ou un cliquetis lorsque le compresseur se met en marche et s'éteint.



Le CLIC vient du thermostat qui ajuste la fréquence de fonctionnement du compresseur.



*Disponible sur certains modèles uniquement. Consultez le GUIDE DE DÉMARRAGE pour savoir si votre modèle est doté de cette fonction.

6. RECOMMANDATION EN CAS DE NON-UTILISATION DE L'APPAREIL

6.1. ABSENCE/VACANCES

Si vous partez en vacances, nous vous recommandons de consommer les aliments stockés et de débrancher l'appareil pour économiser de l'énergie.

6.2. DÉMÉNAGEMENT

1. Retirez les pièces internes.
2. Emballez-les soigneusement et fixez-les entre elles avec du ruban adhésif afin de ne pas les perdre et d'éviter qu'elles ne s'entrechoquent.
3. Vissez les pieds réglables de façon à ce qu'ils ne touchent pas la surface de support.
4. Fermez et fixez la porte avec du ruban adhésif et fixez le câble d'alimentation à l'appareil, également avec du ruban adhésif.

6.3. COUPURE DE COURANT

Dans le cas d'une coupure de courant, contactez votre compagnie électrique pour savoir combien de temps va durer la panne.

Remarque : A noter qu'un appareil plein restera froid plus longtemps qu'un appareil à moitié plein.

Si les aliments se sont décongelés, il est préférable de les jeter.

Coupages de courant allant jusqu'à 24 heures.

1. Maintenez la porte de l'appareil fermée. Cela permettra de garder au froid les aliments stockés le plus longtemps possible.

Coupages de courant supérieures à 24 heures.

1. Essayez de consommer en premier les denrées périssables.

7. NETTOYAGE ET ENTRETIEN

Avant d'effectuer les opérations d'entretien ou de nettoyage, débranchez l'appareil de la fiche d'alimentation secteur ou coupez l'alimentation électrique.

Nettoyez régulièrement l'appareil avec un chiffon et une solution d'eau tiède et de détergent neutre spécifique au nettoyage des parois internes du réfrigérateur. N'utilisez jamais d'agents abrasifs. Ne nettoyez jamais les accessoires du réfrigérateur avec des liquides inflammables. Les émanations peuvent provoquer un incendie ou une explosion. Nettoyez les parois externes de l'appareil et le joint de porte avec un chiffon humide et séchez-les avec un chiffon doux.

N'utilisez pas de nettoyeur à vapeur.

Le condensateur situé à l'arrière de l'appareil doit être nettoyé régulièrement avec un aspirateur.

Le condensateur situé à l'arrière de l'appareil doit être nettoyé régulièrement avec un aspirateur.

Important :

- Les touches et l'écran du panneau de commande doivent être nettoyées avec un chiffon sec ; n'utilisez pas d'alcool ou des substances dérivées de l'alcool.
- Les tuyaux du circuit de réfrigération sont situés près du bac de dégivrage et peuvent être chaud au touché. Nettoyez-les régulièrement avec un aspirateur.

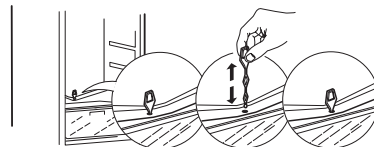
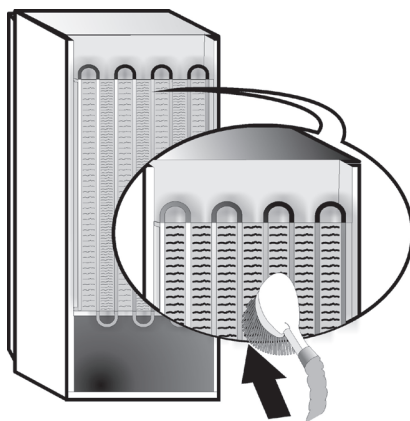
Pour assurer une évacuation constante et correcte de l'eau de dégivrage, nettoyez régulièrement l'intérieur de l'orifice d'évacuation situé sur la paroi arrière du compartiment réfrigérateur, à proximité du bac à fruits et légumes, à l'aide de l'outil fourni avec l'appareil.

Avant de nettoyer le « Bac zéro degré » (et notamment les parois externes), retirez-le de façon à le déconnecter de l'alimentation électrique.

Nettoyez le bac et tous ses composants régulièrement à l'aide d'un chiffon et d'une solution à base d'eau tiède et de détergent neutre spécifique pour le nettoyage des parois internes du réfrigérateur (veillez à ne pas immerger dans l'eau la clayette en plastique blanc située sous le bac).

N'utilisez jamais de détergents abrasifs.

*Disponible sur certains modèles uniquement. Consultez le GUIDE DE DÉMARRAGE pour savoir si votre modèle est doté de cette fonction.




8. GUIDE DE DÉPANNAGE




8.1. AVANT DE CONTACTER LE SERVICE APRÈS-VENTE...

Certains dysfonctionnements sont souvent dus à des problèmes mineurs que vous pouvez identifier et résoudre vous-même sans aucun outil.

PROBLÈME	SOLUTION
L'appareil ne fonctionne pas :	<ul style="list-style-type: none"> Le réfrigérateur est-il branché à une prise qui fonctionne avec la bonne tension ? Avez-vous vérifié les dispositifs de protection et fusibles du système électrique de votre maison ?
Si le bac de dégivrage contient de l'eau :	<ul style="list-style-type: none"> Cela est normal par temps chaud et humide. Il est même possible que le bac soit à moitié plein. Vérifiez que l'appareil est de niveau de façon à ce que l'eau ne déborde pas.
Si les bords de l'appareil qui sont en contact avec le joint de porte sont chauds au toucher :	<ul style="list-style-type: none"> Cela est normal par temps chaud et lorsque le compresseur fonctionne.
Si l'éclairage intérieur ne fonctionne pas :	<ul style="list-style-type: none"> Avez-vous vérifié les dispositifs de protection et les fusibles de l'alimentation électrique de la maison ? Le réfrigérateur est-il branché à une prise qui fonctionne avec la bonne tension ? Si les DEL sont brisés, l'utilisateur doit appeler le Service Après-vente pour l'échanger avec un DEL du même type, disponible uniquement auprès de nos centres de Services Après-vente ou détaillants autorisés.
Si le moteur semble tourner en surséjour :	<ul style="list-style-type: none"> La durée de fonctionnement du moteur dépend de plusieurs facteurs : fréquence d'ouverture de la porte, quantité d'aliments stockés, température de la pièce, réglages de température. Y a-t-il de la poussière ou des peluches sur le condenseur (arrière de l'appareil) ? La porte est-elle bien fermée ? Les joints de la porte sont-ils bien étanches ? Par temps chaud ou dans une pièce chaude, le moteur fonctionne naturellement plus longtemps. Si la porte est restée longtemps ouverte ou si vous avez inséré une grande quantité d'aliments dans l'appareil, le moteur fonctionnera plus longtemps afin de refroidir l'intérieur du compartiment.
Si la température de l'appareil est trop élevée :	<ul style="list-style-type: none"> Le réfrigérateur est-il bien réglé ? Une grande quantité d'aliments a-t-elle été insérée dans le réfrigérateur ou le congélateur ? Assurez-vous que la porte n'est pas ouverte trop souvent. Assurez-vous que la porte se ferme correctement.
Si les portes ne s'ouvrent et ne se ferment pas correctement :	<ul style="list-style-type: none"> Assurez-vous que les emballages de nourritures ne bloquent pas la porte. Assurez-vous que les pièces internes ou la machine à glaçons automatique sont bien en place. Assurez-vous que les joints de la porte ne sont pas sales ou collants. Assurez-vous que l'appareil est au niveau.

8.2. ANOMALIES

En cas de dysfonctionnement, une alarme se déclenche et le message/symbole correspondant apparaît sur l'affichage à DEL (p. ex. : Anomalie 1, Anomalie 2, etc.). Dans ce cas, contactez le Service Après-Vente et spécifiez le code d'alarme. Une alarme sonore se déclenche, l'icône Alarme  s'illumine et la lettre F clignote sur l'écran numérique en fonction du code d'anomalie décrit ci-dessous :

Code d'anomalie	Affichage	
Erreur 2	La lettre F clignote à 0,5 seconde d'intervalle. Clignote 2 fois, puis reste éteinte pendant 5 secondes. Cette séquence se répète.	 x2
Erreur 3	La lettre F clignote à 0,5 seconde d'intervalle. Elle clignote 3 fois, puis reste éteinte pendant 5 secondes. Cette séquence se répète.	 x3
Erreur 6	La lettre F clignote à 0,5 seconde d'intervalle. Elle clignote 6 fois, puis reste éteinte pendant 5 secondes. Cette séquence se répète.	 x6

*Disponible sur certains modèles uniquement. Consultez le GUIDE DE DÉMARRAGE pour savoir si votre modèle est doté de cette fonction.

9. SERVICE APRÈS-VENTE

Avant de contacter le Service après-vente :

Remettez l'appareil en marche pour vous assurer que l'inconvénient a été éliminé. Si ce n'est pas le cas, débranchez l'appareil de l'alimentation électrique et patientez environ une heure avant de le rallumer.

Si, après avoir procédé aux vérifications décrites dans le Guide de dépannage et après avoir remis l'appareil sous tension, ce dernier ne fonctionne toujours pas correctement, contactez le Service Après-Vente pour expliquer le problème.

Précisez :

- le modèle et le numéro de série de l'appareil (figurant sur la plaque signalétique),
- le type de panne ,

SERVICE 0000 000 00000



- le numéro de série (numéro qui se trouve après le mot **SERVICE** sur la plaque signalétique placée à l'intérieur de l'appareil),
- votre adresse complète,
- votre numéro de téléphone avec l'indicatif régional.

Remarque :

Le sens d'ouverture des portes peut être modifié. Si cette opération est effectuée par le Service Après-Vente, elle n'est pas couverte par la garantie.

INDICE

Capitolo 1: INSTALLAZIONE	31
1.1. INSTALLAZIONE DELL'APPARECCHIO SINGOLO	31
1.2. INSTALLAZIONE DI DUE APPARECCHI	31
1.3. REGOLAZIONE DELLE PORTE (SE DISPONIBILE)	31
Capitolo 2: FUNZIONI	32
2.1. ON/STANDBY	32
2.2. SMART DISPLAY*	32
2.3. 6TH SENSE FRESH CONTROL / PROFRESH	32
2.4. ALLARME PORTA APERTA	32
2.5. VACANZA	32
2.6. RAFFREDDAMENTO RAPIDO	32
2.7. CASSETTO ZERO GRADI*	33
2.8. VENTOLA	33
2.9. IMPOSTAZIONE DELLA TEMPERATURA	33
2.10. COMPARTO FRIGORIFERO NO-FROST	33
2.11. SISTEMA DI ILLUMINAZIONE A LED*	34
2.12. CASSETTO A UMIDITÀ CONTROLLATA*	34
Capitolo 3: IMPIEGO CONSIGLIATO	34
3.1. AUMENTO DELLA CAPACITÀ DI CONSERVAZIONE DEL FRIGORIFERO	34
3.2. NOTE	34
Capitolo 4: CONSIGLI SULLA CONSERVAZIONE DEGLI ALIMENTI	34
4.1. VENTILAZIONE	34
4.2. MODALITÀ DI CONSERVAZIONE DI ALIMENTI FRESCHI E BEVANDE	34
4.3. DOVE CONSERVARE ALIMENTI FRESCHI E BEVANDE	35
Capitolo 5: SEGNALI ACUSTICI FUNZIONALI	35
Capitolo 6: RACCOMANDAZIONE IN CASO DI NON UTILIZZO DELL'APPARECCHIO	36
6.1. ASSENZA / VACANZA	36
6.2. SPOSTAMENTO	36
6.3. GUASTO DELL'ALIMENTAZIONE ELETTRICA	36
Capitolo 7: MANUTENZIONE E PULIZIA	36
Capitolo 8: GUIDA ALLA RICERCA GUASTI	37
8.1. PRIMA DI CONTATTARE IL SERVIZIO ASSISTENZA	37
8.2. GUASTI	37
Capitolo 9: SERVIZIO ASSISTENZA	38
Altro:	
INVERSIONE DELLA PORTA (VERSIONE 1)	75
INVERSIONE DELLA PORTA (VERSIONE 2)	77

NOTA:

Le istruzioni sono valide per diversi modelli, si potrebbero quindi notare alcune differenze. Le sezioni valide solo per determinati apparecchi sono contrassegnate con un asterisco (*).

Le funzioni dedicate appositamente al modello acquistato sono disponibili nella GUIDA RAPIDA INTRODUTTIVA.

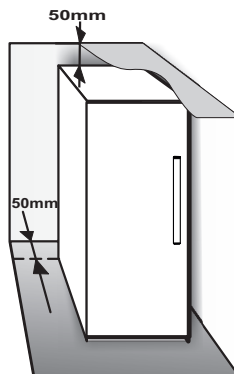
1. INSTALLAZIONE

1.1. INSTALLAZIONE DELL'APPARECCHIO SINGOLO

Per garantire un'adeguata ventilazione, lasciare i lati e la parte superiore dell'apparecchio sufficientemente distanziati dalla parete.

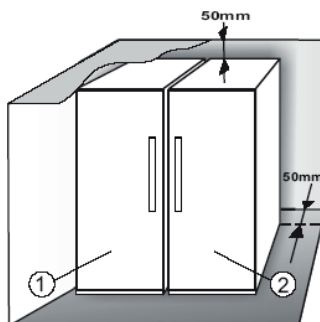
La distanza tra la parte posteriore dell'apparecchio e la parete dietro di esso deve essere di almeno 50 mm.

Uno spazio inferiore determinerà un maggiore consumo energetico dell'apparecchio.



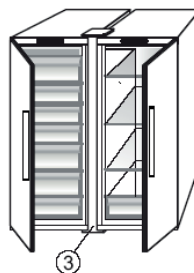
1.2. INSTALLAZIONE DI DUE APPARECCHI

Se si installano il congelatore ① e il frigorifero ② insieme, assicurarsi che il congelatore sia posizionato a sinistra e il frigorifero a destra (come mostrato in figura). Sul lato sinistro del frigorifero è presente un dispositivo speciale per evitare eventuali problemi dovuti alla formazione di condensa tra i due apparecchi.



Si consiglia di installare insieme i due apparecchi utilizzando il kit di collegamento ③ (come mostrato in figura).

Il kit è disponibile presso il Servizio Assistenza.

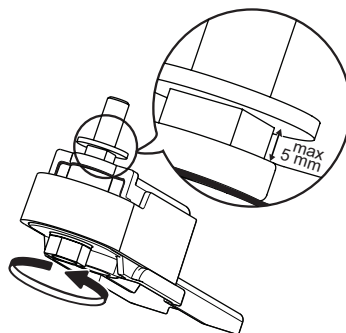


1.3. REGOLAZIONE DELLE PORTE (SE DISPONIBILE)

Per livellare le porte usando la cerniera inferiore regolabile (solo alcuni modelli)


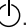
Se la porta del frigorifero è più bassa rispetto a quella del congelatore, sollevarla ruotando la vite di regolazione in senso antiorario con l'ausilio di una chiave M10.

Se la porta del congelatore è più bassa rispetto a quella del frigorifero, sollevarla ruotando la vite di regolazione in senso antiorario con l'ausilio di una chiave M10.




2. FUNZIONI


2.1. ON/STANDBY

Questa funzione consente di accendere o portare in standby il frigorifero. Per portare l'apparecchio in stand-by, premere il tasto On/Standby  per 3 secondi. Quando l'apparecchio è in stand-by, la luce all'interno del comparto frigorifero è spenta. Tenere presente che questa operazione non scollega l'apparecchio dall'alimentazione elettrica. Per accendere nuovamente l'apparecchio, è sufficiente premere il tasto On/Standby .

2.2. SMART DISPLAY*

Questa funzione opzionale può essere usata per risparmiare energia. Attenersi alle istruzioni incluse nella Guida rapida introduttiva per attivare/disattivare questa funzione. Due secondi dopo l'attivazione della funzione Smart Display, il display si spegne. Per regolare la temperatura o utilizzare altre funzioni, è necessario attivare il display premendo un tasto qualsiasi.

Quando si attiva la funzione Smart Display, il display si spegne ad eccezione dell'indicatore "6 Sense Fresh Control" /  "ProFresh". Se la funzione Smart Display è attiva, per regolare la temperatura o usare altre funzioni è necessario attivare il display premendo un pulsante qualsiasi.

Dopo circa 15 secondi di inattività, il display si spegne di nuovo e rimane visibile solo la spia "6 Sense Fresh Control" /  "ProFresh". Quando la funzione è disattivata, viene ripristinato il display normale. Lo Smart Display viene automaticamente disabilitato dopo un guasto all'alimentazione elettrica. Ricordare che questa operazione non scollega l'apparecchio dall'alimentazione elettrica ma si limita a ridurre l'alimentazione consumata dal display esterno.

Nota: il consumo energetico dichiarato dell'apparecchio si riferisce al funzionamento con la funzione Smart Display attivata.

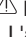
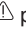
2.3. 6TH SENSE FRESH CONTROL /

PROFRESH

Questa funzione consente di raggiungere rapidamente le condizioni di conservazione ottimali (quanto a temperatura e umidità) all'interno dell'apparecchio. Perché funzioni correttamente, è necessario che anche la ventola sia attiva. La funzione "6th Sense Fresh Control" / "ProFresh" è attivata per impostazione predefinita. Per attivare o disattivare questa funzione, vedere la Guida rapida allegata.

In caso di interruzione della corrente elettrica, o se si passa dalla modalità Stand-by alla modalità normale, la funzione "6th Sense Fresh Control" / "ProFresh" torna ad attivarsi (impostazione predefinita).

2.4. ALLARME PORTA APERTA

L'icona Allarme  lampeggia e viene emesso un allarme acustico. L'allarme viene attivato quando la porta rimane aperta per oltre 2 minuti. Per spegnere l'allarme porta, chiudere la porta o premere una volta il pulsante Fine allarme  per silenziare l'allarme acustico.

2.5. VACANZA

La funzione può essere attivata per ridurre il consumo di corrente dell'apparecchio durante un periodo di assenza.

Prima di attivare la funzione, rimuovere tutti gli alimenti deperibili dal comparto frigorifero e assicurarsi che la porta sia correttamente chiusa, dal momento che il frigorifero manterrà una temperatura adeguata per impedire la formazione di odori sgradevoli (+12°C). Per attivare/ disattivare, premere il tasto della modalità Vacanza per 3 secondi. Quando la funzione è attivata, il rispettivo simbolo si accende e la temperatura del comparto frigorifero viene impostata su un valore più elevato (il display temperatura mostrerà la nuova impostazione di temperatura di +12°C). Modificando il valore impostato di temperatura, la funzione verrà disattivata automaticamente.

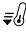
Attenzione:

- **Incompatibilità con la funzione "Raffreddamento rapido"**

Per garantire prestazioni ottimali, le funzioni "Vacanza" e "Raffreddamento rapido" non possono essere attivate contemporaneamente. Di conseguenza, se è già stata attivata la funzione "Raffreddamento rapido", disattivarla prima di attivare la funzione "Vacanza" (e viceversa).

2.6. RAFFREDDAMENTO RAPIDO

L'utilizzo di questa funzione è raccomandato qualora si collochi all'interno del comparto frigorifero una grande quantità di alimenti.

La funzione di Raffreddamento rapido  consente di aumentare la capacità di raffreddamento nel comparto frigorifero. Per ottimizzare la capacità di raffreddamento, tenere acceso l'interruttore della ventola.

Attenzione:

- **Incompatibilità con la funzione "Vacanza"**

Per garantire prestazioni ottimali, le funzioni "Vacanza" e "Raffreddamento rapido" non possono essere attivate contemporaneamente. Di conseguenza, se è già stata attivata la funzione "Vacanza", disattivarla prima di attivare la funzione "Raffreddamento rapido" (e viceversa).

*Disponibile solo su modelli selezionati. Consultare la GUIDA RAPIDA INTRODUTTIVA per verificare se la funzione è attualmente disponibile sul modello acquistato.

2.7. CASSETTO ZERO GRADI*

Il Cassetto Zero gradi* è specificamente progettato per fornire una bassa temperatura e un livello adeguato di umidità al fine di mantenere freschi più a lungo alimenti quali carne, pesce, frutta e verdure invernali.

Attivazione e disattivazione del contenitore



La temperatura all'interno del contenitore, quando è attivo, è di circa 0°. I seguenti fattori sono fondamentali per assicurare il corretto funzionamento del contenitore del Cassetto Zero gradi:

- il comparto frigorifero deve essere acceso
- la temperatura del comparto frigorifero deve essere compresa tra +2°C e +5°C
- per consentire l'attivazione, il contenitore deve essere inserito

- non deve essere selezionata alcuna funzione speciale (Standby, Vacanza – se disponibili).

Se è stata selezionata una di queste funzioni speciali, il contenitore del Cassetto Zero gradi deve essere disattivato manualmente ed è necessario rimuovere i cibi eventualmente al suo interno. Se non viene eseguita la disattivazione manuale, il contenitore viene disattivato automaticamente dopo 8 ore.

Nota:

- se il simbolo non si illumina all'attivazione del comparto, verificare che il cassetto sia correttamente inserito; se il problema persiste, contattare il Servizio Assistenza Tecnica autorizzato
- se la funzione è attiva e il cassetto è aperto, il simbolo sul pannello comandi può disattivarsi automaticamente. Se il cassetto è inserito, il simbolo diventa nuovamente attivo
- indipendentemente dallo stato della funzione, è possibile avvertire una leggera rumorosità: ciò è normale e non deve essere causa di preoccupazione.
- quando la funzione non è attiva, la temperatura nel cassetto dipende dalla temperatura generale all'interno del frigorifero.

In questo caso, si consiglia di utilizzarlo per conservare frutta e verdura che non risentono delle basse temperature (frutti di bosco, mele, albicocche, carote, spinaci, lattuga e così via).

Importante: in caso di funzione attivata e presenza di cibi con elevato contenuto d'acqua, potrebbe formarsi della condensa sui ripiani. In questo caso, disattivare temporaneamente la funzione.

2.8. VENTOLA

La ventola migliora la distribuzione della temperatura all'interno del prodotto, migliorando di conseguenza la conservazione degli alimenti. La ventola è preimpostata come ATTIVA. È consigliabile mantenere la ventola accesa per garantire che la funzione 6th Sense Fresh Control / ProFresh operi correttamente; lasciarla inoltre attiva quando la temperatura ambiente è superiore a 27 ÷ 28°C, quando si notano gocce d'acqua sui ripiani in vetro o in condizioni di forte umidità. Tenere presente che quando è attivata, la ventola non funziona continuamente. La ventola si attiva/si arresta in base alla temperatura e/o al livello di umidità all'interno dell'apparecchio. È pertanto assolutamente normale se la ventola è ferma anche quando è stata attivata.

Per attivare o disattivare questa funzione, vedere la Guida rapida introduttiva allegata.

Attenzione: se si spegne la ventola, la funzione 6th Sense Fresh Control / ProFresh verrà disattivata.

Nota:

Non ostruire la zona di aerazione con alimenti.

Spegnere la ventola per garantire il corretto funzionamento dell'apparecchio a temperature ambiente basse (meno di 18°C) e ottimizzare i consumi energetici.

Per spegnere la ventola, fare riferimento alla procedura sopra indicata.

Se presente nell'apparecchio, la ventola può essere dotata di **filtro antibatterico**.

Rimuoverlo dal contenitore che si trova nel cassetto frutta e verdura e inserirlo nel coperchio della ventola. Le istruzioni per la sostituzione sono incluse nella scatola del filtro.

2.9. IMPOSTAZIONE DELLA TEMPERATURA

L'apparecchio è normalmente predisposto in fabbrica per il funzionamento alla temperatura consigliata 5°C. La temperatura interna può essere regolata fra 8°C e 2°C, agendo nel modo seguente:

- Premere il tasto di impostazione della temperatura (°C). La temperatura di conservazione può essere modificata di -1°C a ogni pressione del tasto: il valore varia ciclicamente tra 8°C e 2°C.

Nota: le impostazioni visualizzate corrispondono alla temperatura media in tutto il frigorifero

2.10. COMPARTO FRIGORIFERO NO-FROST

Lo sbrinamento nel comparto del frigorifero è completamente automatico.

La presenza di goccioline d'acqua sulla parete posteriore interna del comparto frigorifero indica che è in atto la fase di sbrinamento automatico. L'acqua di sbrinamento scorre automaticamente in un foro di scarico e da lì in un contenitore dove evapora.

*Disponibile solo su modelli selezionati. Consultare la GUIDA RAPIDA INTRODUTTIVA per verificare se la funzione è attualmente disponibile sul modello acquistato.

2.11. SISTEMA DI ILLUMINAZIONE A LED*

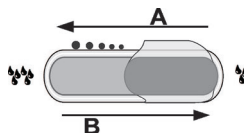
Il sistema di illuminazione all'interno del comparto frigorifero utilizza una luce LED, che garantisce al contempo un'illuminazione più efficace e un ridotto consumo energetico. Se il sistema di illuminazione a LED non funziona, rivolgersi al Servizio Assistenza per la sostituzione.

Importante :

la luce del comparto frigorifero si accende quando si apre la porta del frigorifero. Se la porta viene tenuta aperta per più di 10 minuti, la luce si spegne automaticamente.

2.12. CASSETTO A UMIDITÀ CONTROLLATA*

I cassetti a umidità controllata del frigorifero offrono condizioni ottimali per la conservazione di frutta e verdura. Il regolatore di umidità può essere aperto (posizione B) per ridurre il grado di umidità e favorire così la conservazione della frutta, oppure chiuso (posizione A) per creare condizioni più umide per la verdura.



3. IMPIEGO CONSIGLIATO

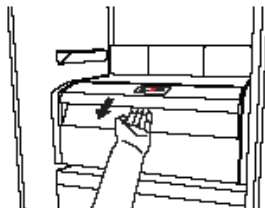
3.1. AUMENTO DELLA CAPACITÀ DI CONSERVAZIONE DEL FRIGORIFERO

Per aumentare la capacità di conservazione è possibile rimuovere il "CASSETTO ZERO GRADI"

In questo caso, procedere come segue:

- spegnere il contenitore
- estrarre il cassetto e il ripiano bianco in plastica sotto al contenitore.

Nota: non è possibile rimuovere il ripiano superiore e il supporto laterale. Per riattivare il funzionamento del "Cassetto Zero gradi", assicurarsi di riposizionare il ripiano in plastica bianco sotto il contenitore, prima di inserire il cassetto e riattivare la funzione. Per ottimizzare il consumo di energia, si consiglia di disattivare il "Cassetto Zero gradi" e di rimuoverlo.



3.2. NOTE

- Non ostruire la zona di uscita dell'aria (sulla parete posteriore interna dell'apparecchio) con gli alimenti.
- Se il congelatore è provvisto di un divisorio, è possibile rimuoverlo per sfruttare al massimo il volume di conservazione.
- Tutti i ripiani, gli sportelli e i cestelli sono estraibili.
- Le temperature interne dell'apparecchio dipendono dalla temperatura ambiente, dalla frequenza di apertura delle porte e dal punto in cui è collocato l'apparecchio. Questi fattori devono essere presi in considerazione quando si imposta il termostato.
- Se non diversamente indicato, gli accessori dell'apparecchio non sono adatti al lavaggio in lavastoviglie.
- Utilizzare la funzione Smart Display quanto più spesso possibile.

4. CONSIGLI SULLA CONSERVAZIONE DEGLI ALIMENTI

Il frigorifero è il posto ideale per conservare pasti pronti, alimenti freschi e conserve alimentari, latticini, frutta e verdura e bevande.

4.1. VENTILAZIONE

- La circolazione naturale dell'aria nel comparto frigorifero crea zone con temperature diverse. La zona più fredda è quella direttamente sopra il cassetto frutta e verdura e in corrispondenza della parete posteriore. Più calda nella parte alta anteriore del comparto.
- Una ventilazione insufficiente determina un aumento del consumo energetico e una riduzione delle prestazioni del frigorifero.

4.2. MODALITÀ DI CONSERVAZIONE DI ALIMENTI FRESCHI E BEVANDE

- Utilizzare contenitori di metallo, alluminio, vetro e plastica riciclabile e avvolgere gli alimenti con una pellicola trasparente.

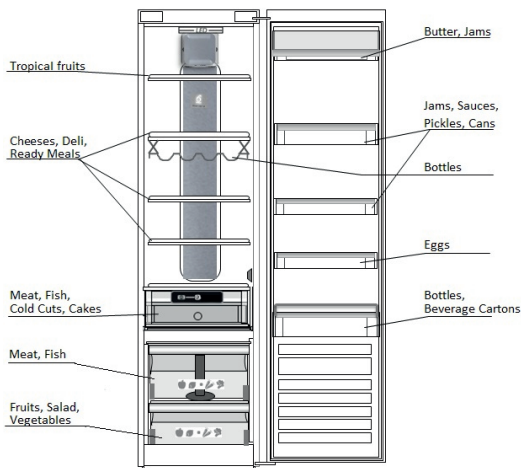
- Utilizzare sempre contenitori chiusi per i liquidi e per gli alimenti che potrebbero emettere o coprire gli odori oppure essere contaminati da odori o aromi.
- Gli alimenti che emanano grandi quantità di etilene o che sono sensibili a questo gas, come frutta, verdura e insalate, dovrebbero essere separati o avvolti per favorirne una conservazione più lunga; ad esempio, non conservare i pomodori insieme a cavoli o kiwi.
- Non disporre gli alimenti a distanza troppo ravvicinata, in modo da consentire una sufficiente circolazione dell'aria.
- Per evitare la caduta delle bottiglie, usare l'apposito accessorio di tenuta (solo alcuni modelli).
- Nel caso di ridotte quantità di alimenti da conservare nel comparto frigorifero, si consiglia di utilizzare i ripiani sopra il cassetto frutta e verdura, in quanto è la zona più fredda del comparto.

*Disponibile solo su modelli selezionati. Consultare la GUIDA RAPIDA INTRODUTTIVA per verificare se la funzione è attualmente disponibile sul modello acquistato.

4.3. DOVE CONSERVARE ALIMENTI FRESCI E BEVANDE

- Sui ripiani del frigorifero: piatti pronti, frutti tropicali, formaggi, golosità.
- Nella zona più fredda – Cassetto Zero gradi* (sopra il comparto refrigerante): carne, pesce, salumi, torte
- Nel cassetto per frutta e verdura: frutta, insalata, verdura.
- Nella porta: burro, marmellate, salse, sottaceti, lattine, bottiglie, bevande in cartone, uova.

ESEMPIO DI SISTEMAZIONE DEGLI ALIMENTI



5. SEGNALI ACUSTICI FUNZIONALI

I segnali acustici provenienti dall'apparecchio sono normali perché il prodotto contiene una serie di ventole e motorini per regolare prestazioni che si attivano e disattivano in modo automatico.

- Controllando che i componenti interni siano posizionati correttamente.
- Controllando che le bottiglie e i contenitori non siano a contatto.

È possibile ridurre alcuni rumori di funzionamento

- Livellando l'apparecchio e installandolo su una superficie piana
- Distanziando ed evitando il contatto tra apparecchio e mobilio.

Di seguito sono riportati alcuni dei rumori di funzionamento possibili:

Un sibilo alla prima accensione dell'apparecchio o dopo un lungo periodo di inutilizzo.



Un gorgoglio quando il liquido refrigerante penetra nei tubi.



Un suono di "congelamento" proveniente dal compressore.



Un brusio quando si attivano la valvola dell'acqua o la ventola.



Uno scricchiolio all'avvio del compressore o quando il ghiaccio pronto cade nella scatola del ghiaccio oppure scatti improvvisi all'accensione o allo spegnimento del compressore.



Lo scatto del termostato che regola la frequenza di attivazione del compressore.



*Disponibile solo su modelli selezionati. Consultare la GUIDA RAPIDA INTRODUTTIVA per verificare se la funzione è attualmente disponibile sul modello acquistato.

6. RACCOMANDAZIONE IN CASO DI NON UTILIZZO DELL'APPARECCHIO

6.1. ASSENZA / VACANZA

Prima di andare in vacanza, si consiglia di consumare tutti gli alimenti e scollegare l'apparecchio per non consumare corrente.

6.2. SPOSTAMENTO

1. Estrarre tutte le parti interne.
2. Coprirle bene e legarle insieme con nastro adesivo in modo da non smarrirle o farle urtare tra loro.
3. Avvitare i piedini regolabili in modo che non tocchino la superficie di supporto.
4. Chiudere e fissare la porta con del nastro adesivo e, con questo, fissare anche il cavo di alimentazione sull'apparecchio.

6.3. GUASTO DELL'ALIMENTAZIONE ELETTRICA

In caso di guasto dell'alimentazione elettrica, contattare l'ufficio dell'azienda di fornitura elettrica e chiedere informazioni sulla durata dell'interruzione.

Nota: Non dimenticare che un apparecchio pieno rimarrà freddo più a lungo di uno riempito parzialmente.

Gettare gli alimenti se in condizioni non soddisfacenti.

In caso di interruzioni di corrente di durata fino a 24 ore.

1. Mantenere chiusa la porta dell'apparecchio. In tal modo gli alimenti riposti al suo interno resteranno freddi il più a lungo possibile.

In caso di interruzioni di corrente di durata superiore alle 24 ore.

1. Cercare di consumare gli alimenti che sono più facilmente deperibili.

7. MANUTENZIONE E PULIZIA

Prima di qualsiasi operazione di pulizia o manutenzione, staccare l'apparecchio dalla presa di alimentazione o scollegare l'alimentazione elettrica.

Pulire periodicamente l'apparecchio utilizzando un panno ed una soluzione di acqua tiepida e detersivi neutri specifici per la pulizia interna del frigorifero. Mai utilizzare abrasivi. Non pulire i componenti del frigorifero con liquidi infiammabili. I vapori possono costituire un rischio di incendio o di esplosione. Pulire l'esterno dell'apparecchio e la guarnizione delle porte con un panno umido e asciugare con un panno morbido. Non utilizzare pulitrici a getto di vapore.

Il condensatore nella parte posteriore dell'apparecchio deve essere pulito regolarmente utilizzando un aspirapolvere.

Il condensatore nella parte posteriore dell'apparecchio deve essere pulito regolarmente utilizzando un aspirapolvere.

Importante :

- Non pulire i tasti e il display del pannello comandi con alcol o sostanze derivate; pulire con un panno asciutto.
- I tubi del sistema di refrigerazione sono ubicati vicino alla vaschetta di sbrinamento ed è possibile che diventino molto caldi. Pulirli periodicamente con un aspirapolvere.

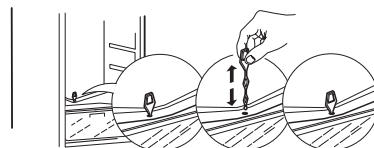
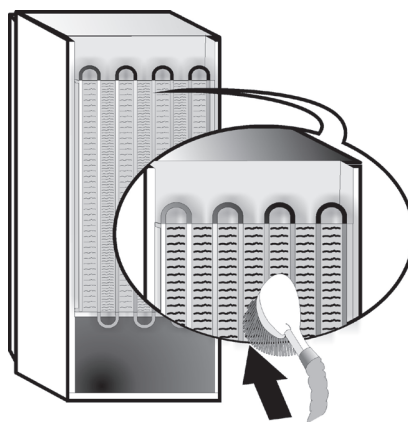
Per garantire il deflusso costante e corretto dell'acqua di sbrinamento, pulire regolarmente l'interno del foro di scarico situato sulla parete posteriore del comparto frigorifero in prossimità del cassetto frutta e verdura, utilizzando l'utensile in dotazione.

Prima di pulire il Cassetto Zero gradi (inclusa la superficie esterna), rimuovere il cassetto in maniera da scollegare il contenitore dall'alimentazione elettrica.

Pulire regolarmente il contenitore e tutte le sue parti, utilizzando un panno e una soluzione di acqua calda e detersivo neutro specificamente formulato per l'interno dei frigoriferi (fare attenzione a non immergere nell'acqua il ripiano in plastica bianco sotto il contenitore).

Non usare mai detersivi abrasivi.

*Disponibile solo su modelli selezionati. Consultare la GUIDA RAPIDA INTRODUTTIVA per verificare se la funzione è attualmente disponibile sul modello acquistato.




8. GUIDA ALLA RICERCA GUASTI




8.1. PRIMA DI CONTATTARE IL SERVIZIO ASSISTENZA...

I problemi legati alle prestazioni spesso sono il risultato di cause facilmente individuabili e risolvibili senza l'uso di alcun attrezzo.

PROBLEMA	SOLUZIONE
L'apparecchio non funziona:	<ul style="list-style-type: none"> La spina del cavo di alimentazione elettrica è inserita in una presa con il giusto voltaggio? Le protezioni e i fusibili dell'impianto elettrico domestico funzionano correttamente?
Se nella vaschetta di sbrinamento è presente acqua:	<ul style="list-style-type: none"> È normale quando il clima è caldo e umido. La vaschetta potrebbe essere piena anche per metà. Verificare che l'apparecchio sia posizionato in piano in modo da evitare che l'acqua fuoriesca.
Se i bordi del mobile dell'apparecchio a contatto con la guarnizione della porta risultano caldi:	<ul style="list-style-type: none"> È normale quando il clima è caldo e quando il compressore è in funzione.
Se la luce non funziona:	<ul style="list-style-type: none"> Le protezioni e i fusibili dell'impianto elettrico domestico funzionano correttamente? La spina del cavo di alimentazione elettrica è inserita in una presa con il giusto voltaggio? Se i LED sono guasti, contattare il Servizio Assistenza per sostituirli con ricambi dello stesso tipo, disponibili presso i centri di assistenza o i rivenditori autorizzati.
Se il motore sembra girare troppo a lungo:	<ul style="list-style-type: none"> I tempi di funzionamento del motore dipendono da diversi fattori: frequenza di apertura della porta, quantità di alimenti riposti, temperatura della stanza, impostazione dei controlli della temperatura. Il condensatore (sul retro dell'apparecchio) è coperto da polvere o lanugine? La porta è chiusa correttamente? Le guarnizioni delle porte sono in perfette condizioni? Se il clima è caldo o il locale è riscaldato, è normale che il motore funzioni più a lungo. Se la porta è rimasta aperta a lungo o sono state inserite grandi quantità di alimenti, il motore rimane in funzione più a lungo per raffreddare l'interno dell'apparecchio.
Se la temperatura dell'apparecchio è troppo alta:	<ul style="list-style-type: none"> I comandi del frigorifero sono regolati correttamente? Sono state introdotte grandi quantità di alimenti nell'apparecchio? Controllare che la porta non venga aperta troppo spesso. Controllare che la porta chiuda correttamente.
Se le porte non si aprono e chiudono correttamente:	<ul style="list-style-type: none"> Verificare che non vi siano confezioni di alimenti che bloccano la porta. Verificare che le vaschette, le mensole, i cassetti o il produttore automatico di ghiaccio siano posizionati scorrettamente. Verificare che le guarnizioni delle porte non siano sporche o appiccicose. Accertarsi che l'apparecchio sia ben livellato.

8.2. GUASTI

In caso di allarmi di funzionamento, i guasti vengono mostrati anche sul display digitale a LED, (ad es. Failure1, Failure 2, ecc.). Contattare il Servizio Assistenza e indicare il codice di allarme. Si attiva l'allarme acustico, si accende l'icona Allarme  e sul display digitale lampeggia la lettera "F" in base ai codici errore descritti di seguito:

Codice di errore	Visualizzazione	
Errore 2	La lettera "F" lampeggia 2 volte a intervalli di 0,5 secondi e resta spenta per 5 secondi. Il ciclo si ripete.	 x2
Errore 3	La lettera "F" lampeggia 3 volte a intervalli di 0,5 secondi e quindi resta spenta per 5 secondi. Il ciclo si ripete.	 x3
Errore 6	La lettera "F" lampeggia 6 volte a intervalli di 0,5 secondi e quindi resta spenta per 5 secondi. Il ciclo si ripete.	 x6

*Disponibile solo su modelli selezionati. Consultare la GUIDA RAPIDA INTRODUTTIVA per verificare se la funzione è attualmente disponibile sul modello acquistato.

9. SERVIZIO ASSISTENZA

Prima di contattare il Servizio Assistenza:

Riaccendere l'apparecchio per assicurarsi che il problema sia stato risolto. Se il problema persiste, scollegare nuovamente l'apparecchio dall'alimentazione e ripetere l'operazione dopo un'ora circa.

Se dopo aver eseguito i controlli elencati nella "Guida ricerca guasti" e riaccesso il frigorifero, l'apparecchio continua a non funzionare correttamente, contattare il Servizio Assistenza illustrando il problema.

Comunicare:

- il modello e il numero di serie dell'apparecchio (riportato sulla targhetta matricola),
- il tipo di guasto,

SERVICE 0000 000 00000



- il codice di assistenza (il numero che si trova dopo la parola **SERVICE**, sulla targhetta matricola posta all'interno dell'apparecchio),
- il proprio indirizzo completo,
- il proprio numero telefonico, completo di prefisso.

Nota:

La direzione di apertura della porta può essere modificata. Se questa operazione è eseguita dal Servizio Assistenza non è coperta da garanzia.

ÍNDICE

Capítulo 1: INSTALACIÓN	40
1.1. INSTALACIÓN DE UN ÚNICO ELECTRODOMÉSTICO	40
1.2. INSTALACIÓN DE DOS ELECTRODOMÉSTICOS	40
1.3. AJUSTE DE LAS PUERTAS (SI DISPONE DE ÉL)	40
Capítulo 2: FUNCIONES	41
2.1. ENCENDIDO / EN ESPERA	41
2.2. PANTALLA INTELIGENTE*	41
2.3. 6TH SENSE FRESH CONTROL / PROFRESH	41
2.4. ALARMA DE PUERTA ABIERTA	41
2.5. VACACIONES	41
2.6. FRÍO RÁPIDO	41
2.7. CAJÓN CERO GRADOS*	42
2.8. VENTILADOR	42
2.9. AJUSTE DE TEMPERATURA	42
2.10. COMPARTIMENTO FRIGORÍFICO NO FROST	42
2.11. SISTEMA DE ILUMINACIÓN LED*	43
2.12. CAJÓN PARA FRUTAS Y VERDURAS CON CONTROL DE HUMEDAD*	43
Capítulo 3: USO	43
3.1. CÓMO AUMENTAR LA CAPACIDAD DE ALMACENAMIENTO DEL FRIGORÍFICO	43
3.2. OBSERVACIONES	43
Capítulo 4: CONSEJOS PARA ALMACENAR ALIMENTOS	43
4.1. VENTILACIÓN	43
4.2. CÓMO ALMACENAR ALIMENTOS FRESCOS Y BEBIDAS	43
4.3. DÓNDE ALMACENAR ALIMENTOS FRESCOS Y BEBIDAS	44
Capítulo 5: SONIDOS DE FUNCIONAMIENTO	44
Capítulo 6: RECOMENDACIONES EN CASO DE NO USAR EL APARATO	45
6.1. AUSENCIAS/VACACIONES	45
6.2. MUDANZAS	45
6.3. CORTE DE CORRIENTE	45
Capítulo 7: LIMPIEZA Y MANTENIMIENTO	45
Capítulo 8: GUÍA PARA LA SOLUCIÓN DE PROBLEMAS	46
8.1. ANTES DE PONERSE EN CONTACTO CON EL SERVICIO POSTVENTA	46
8.2. FALLOS	46
Capítulo 9: SERVICIO POSTVENTA	47
Otros:	
MODIFICACIÓN DEL SENTIDO DE APERTURA DE LA PUERTA (VERSIÓN_1)	75
MODIFICACIÓN DEL SENTIDO DE APERTURA DE LA PUERTA (VERSIÓN_2)	77

NOTA:

Las instrucciones corresponden a diversos modelos y puede haber diferencias. Los apartados que solo se refieren a algunos aparatos están indicados con un asterisco (*).

Las funciones que atañen específicamente al modelo de producto que ya ha comprado se encuentran en la GUÍA RÁPIDA DE INICIO.

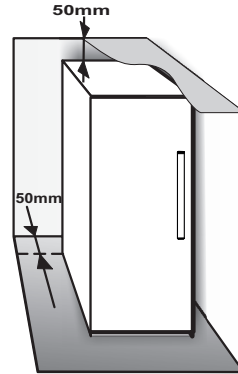
1. INSTALACIÓN

1.1. INSTALACIÓN DE UN ÚNICO ELECTRODOMÉSTICO

Para garantizar una ventilación adecuada, deje espacio a ambos lados y por encima del electrodoméstico.

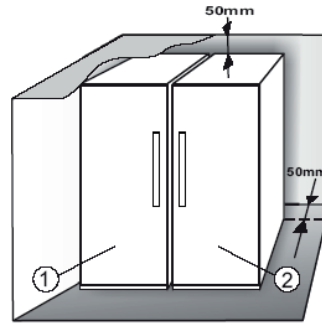
La distancia entre la parte trasera del aparato y la pared de detrás debe ser de como mínimo 50 mm.

Una reducción de este espacio significaría un incremento del consumo de energía del producto.

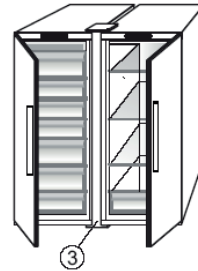


1.2. INSTALACIÓN DE DOS ELECTRODOMÉSTICOS

Cuando instale el congelador ① y el frigorífico ② juntos, asegúrese de que el congelador esté situado a la izquierda y el frigorífico a la derecha (tal como muestra el dibujo). La parte izquierda del frigorífico está equipada con un dispositivo especial para evitar problemas de condensación entre los aparatos.



Se recomienda instalar dos aparatos juntos usando el kit de unión ③ (tal como muestra el dibujo). Se puede comprar en el Servicio.

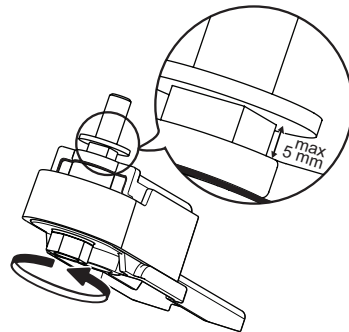


1.3. AJUSTE DE LAS PUERTAS (SI DISPONE DE ÉL)

Para nivelar las puertas usando la bisagra inferior ajustable (seleccione modelos)

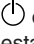

Si la puerta del frigorífico está más baja que la del congelador, eleve la puerta del frigorífico girando el tornillo de ajuste en sentido contrario al de las agujas del reloj con una llave inglesa M10.

Si la puerta del congelador está más baja que la del frigorífico, eleve la puerta del congelador girando el tornillo de ajuste en sentido contrario al de las agujas del reloj con una llave inglesa M10.







2. FUNCIONES

2.1. ENCENDIDO / EN ESPERA

La función Encendido/En espera enciende o pone en modo de espera el frigorífico. Para que el electrodoméstico pase al modo de espera, pulse el botón Encendido/En espera  durante tres segundos. Cuando el electrodoméstico está en el modo de espera, la luz del interior del compartimento frigorífico no funciona. Es importante tener presente que con esta operación no se desconecta el electrodoméstico de la alimentación eléctrica. Para volver a encender el electrodoméstico, pulse simplemente el botón Encendido/En espera .

2.2. PANTALLA INTELIGENTE*

Esta función opcional sirve para ahorrar energía. Siga las instrucciones que se incluyen en la Guía rápida para activar/desactivar la función. Dos segundos después de la activación de la Pantalla inteligente, la pantalla se apaga. Para ajustar la temperatura o usar otras funciones, es necesario activar la pantalla pulsando cualquier botón. Después de la activación de la Pantalla inteligente, la pantalla se apaga, excepto el indicador « Sense Fresh Control» / « ProFresh». Si la Pantalla inteligente está activada, para ajustar la temperatura o usar otras funciones, es necesario activar la pantalla pulsando cualquier botón.

Después de unos 15 segundos sin que se realice ninguna acción, la pantalla se apaga de nuevo, y solo permanece visible el indicador « Sense Fresh Control» / « ProFresh». Cuando se desactiva la función, se restablece la pantalla normal. La pantalla inteligente se desactiva de forma automática después de un corte de corriente. Es importante tener presente que esta función no desconecta el aparato de la alimentación eléctrica, sino que únicamente reduce la corriente consumida por la pantalla externa.



Nota: El consumo de energía declarado del electrodoméstico se refiere al funcionamiento con la función de la pantalla inteligente activada.

2.3. 6TH SENSE FRESH CONTROL / PROFRESH

Esta función permite alcanzar con rapidez las condiciones óptimas de almacenamiento (en materia de temperatura y humedad) dentro del electrodoméstico. El ventilador también tiene que estar encendido para que funcione bien. La función «6th Sense Fresh Control» / «ProFresh» está activada por defecto. Para activar o desactivar esta función, consulte la Guía rápida adjunta. Después de un corte de suministro eléctrico o tras cambiar del modo de espera al modo normal, la función «6th Sense Fresh Control» / «ProFresh» vuelve a su estado predeterminado, esto es, activado.

* Disponible solo en determinados modelos. Consulte la GUÍA RÁPIDA DE INICIO para saber si esta función está disponible en su modelo.

2.4. ALARMA DE PUERTA ABIERTA

El icono de alarma  se enciende parpadeando y suena la alarma acústica. La alarma se activa cuando la puerta permanece abierta durante más de 2 minutos. Para desactivar la alarma de la puerta cierre la puerta, o pulse una vez el botón de desactivación de la alarma  para silenciar la alarma acústica.

2.5. VACACIONES

Esta función puede activarse para reducir el consumo de energía del electrodoméstico durante un periodo de ausencia.

Antes de activar la función, se deben retirar todos los alimentos perecederos del compartimento de refrigeración y asegurarse de que la puerta esté cerrada correctamente ya que el frigorífico mantendrá una temperatura adecuada para evitar la formación de olores desagradables (+12 °C).

Para activar/desactivar esta función, pulse el botón de modo Vacaciones durante 3 segundos. Si la función está activada, el icono relacionado se encenderá y la temperatura del compartimento frigorífico se ajustará en un punto de ajuste más alto (el indicador de temperatura mostrará el nuevo punto de ajuste de temperatura de +12 °C).

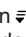
La función se desactivará automáticamente al cambiar el punto de ajuste de temperatura.

Atención:

- **Incompatibilidad con la función «Frío rápido»**
Para garantizar un rendimiento óptimo, las funciones «Vacaciones» y «Frío rápido» no se pueden usar al mismo tiempo. Por tanto, si ya se ha activado la función «Frío rápido», deberá desactivarla antes de poder activar la función «Vacaciones» (y viceversa).

2.6. FRÍO RÁPIDO

El uso de esta función se recomienda cuando se coloca una gran cantidad de alimentos en el compartimento del frigorífico.

Utilizando la función  Frío rápido es posible aumentar la capacidad de enfriamiento en el compartimento frigorífico. Para aumentar al máximo la capacidad de refrigeración, mantenga encendido el ventilador.

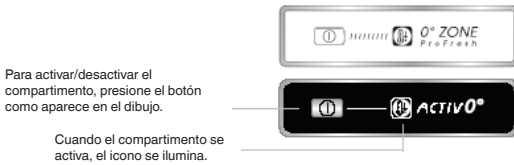
Atención:

- **Incompatibilidad con la función «Vacaciones»**
Para garantizar un rendimiento óptimo, las funciones «Vacaciones» y «Frío rápido» no se pueden usar al mismo tiempo. Por tanto, si ya se ha activado la función «Vacaciones», deberá desactivarla antes de poder activar la función «Frío rápido» (y viceversa).

2.7. CAJÓN CERO GRADOS*

El Cajón cero grados está diseñado específicamente para mantener una baja temperatura y la humedad correcta para conservar los alimentos frescos durante más tiempo (p. ej. carne, pescado, fruta y verduras de invierno).

Activación y desactivación del compartimento



Cuando está activado, la temperatura dentro del compartimento es de aproximadamente 0°. Es fundamental tener en cuenta los factores siguientes para que el compartimento cero grados funcione correctamente:

- el compartimento frigorífico debe estar conectado
- la temperatura del compartimento frigorífico debe estar entre +2 °C y +5 °C
- el compartimento debe estar correctamente colocado en su posición para que pueda activarse
- no se han seleccionado funciones especiales (Modo de espera o Vacaciones, si procede).

Si se ha seleccionado una de estas funciones especiales, el compartimento de cero grados debe desactivarse manualmente y deben retirarse los alimentos frescos de su interior. Si no se desactiva manualmente, el compartimento se desactivará automáticamente después de 8 horas.

Nota:

- si el símbolo no se enciende cuando la función está activada, compruebe que el cajón esté colocado correctamente; si el problema persiste, contactar con el Servicio de Asistencia Técnica autorizado
- si la función está activada y el cajón abierto, es posible que el icono del panel de control se desactive automáticamente. Si se introduce el cajón correctamente, el icono se activará de nuevo.
- independientemente del estado de la función, es posible que se escuche un ligero ruido: esto es normal y no es motivo de preocupación.
- cuando la función no esté activada, la temperatura del cajón dependerá de la temperatura general en el interior del frigorífico.

En este caso, se recomienda utilizar el cajón para guardar frutas y verduras que no sean sensibles al frío (frutos del bosque, manzanas, albaricoques, zanahorias, espinacas, lechuga, etc.).

Importante: si la función está activada en presencia de alimentos con alto contenido de agua, podría formarse condensado sobre los estantes. En este caso, desactive la función temporalmente.

2.8 VENTILADOR

El ventilador distribuye la temperatura de manera más uniforme por el electrodoméstico y permite conservar mejor los alimentos. De forma predeterminada, el ventilador está encendido. Se recomienda mantener el ventilador encendido de forma que la función 6th Sense Fresh Control / ProFresh pueda funcionar correctamente, también si la temperatura del aire es superior a 27-28 °C o si aparecen gotas de agua en las bandejas de cristal o en condiciones de humedad severas. Tenga en cuenta que, cuando está encendido, el ventilador no funciona continuamente. El ventilador se pone en marcha o se para en función de la temperatura o del nivel de humedad dentro del frigorífico. Por tanto, es completamente normal que el ventilador no gire, incluso si está encendido.

Para activar o desactivar esta función, consulte la Guía rápida de inicio incluida.

Atención: Si se desconecta el ventilador se desactiva la función 6th Sense Fresh Control/ProFresh.

Nota:

No obstruya la zona de entrada de aire con los alimentos.

Encienda el ventilador para asegurar un buen funcionamiento a temperatura ambiente baja (menos de 18 °C) y minimizar el consumo de energía. Para apagar el ventilador debe seguirse el procedimiento que se indica a continuación.

Si el aparato tiene ventilador, se puede equipar con el **filtro antibacteriano**.

Sáquelo de la caja situada en el cajón de las verduras e introdúzcalo en la tapa del ventilador.

El procedimiento de sustitución está incluido en la caja del filtro.

2.9. AJUSTE DE TEMPERATURA

Normalmente el aparato viene configurado de fábrica para que funcione a la temperatura recomendada de 5 °C. La temperatura interior puede ajustarse entre 8 °C y 2 °C siguiendo las instrucciones siguientes:

- Pulse el botón de ajuste de temperatura (°C). Cada vez que se pulsa el botón se modifica la temperatura de conservación 1 °C: el valor cambia cíclicamente entre 8 °C y 2 °C.

Nota: Los puntos de ajuste mostrados se corresponden con la temperatura media en todo el frigorífico

2.10. COMPARTIMENTO FRIGORÍFICO NO FROST

La descongelación del compartimento del frigorífico es completamente automática.

Las gotitas de agua en la pared trasera del compartimento del frigorífico indican que la fase de descongelación automática está en proceso. El agua descongelada va directamente hacia un desagüe y se recoge en un recipiente donde se evapora.

* Disponible solo en determinados modelos. Consulte la GUÍA RÁPIDA DE INICIO para saber si esta función está disponible en su modelo.

2.11. SISTEMA DE ILUMINACIÓN LED*

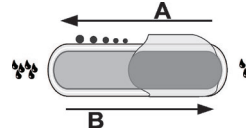
El sistema de iluminación dentro del compartimento frigorífico utiliza luz LED, lo que mejora la iluminación y permite un menor consumo energético. Si el sistema de iluminación LED no funciona, póngase en contacto con Servicio de Asistencia para su sustitución.

Importante:

La luz del compartimento frigorífico se enciende cuando se abre la puerta del frigorífico. Si se deja la puerta abierta durante más de 10 minutos, la luz se apaga de forma automática.

2.12. CAJÓN PARA FRUTAS Y VERDURAS CON CONTROL DE HUMEDAD*

Los cajones para lechuga integrados en el frigorífico se han diseñado especialmente con el objetivo de mantener las frutas y verduras frescas. Abra el regulador de humedad (posición B) si quiere almacenar alimentos como, por ejemplo, fruta en un entorno menos húmedo, o ciérrelo (posición A) para almacenar alimentos como, por ejemplo, verduras, en un entorno más húmedo.



3. USO

3.1. CÓMO AUMENTAR LA CAPACIDAD DE ALMACENAMIENTO DEL FRIGORÍFICO

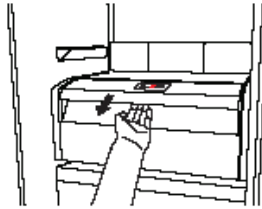
Se puede aumentar la capacidad de almacenamiento retirando el «CAJÓN CERO GRADOS»*.

Para ello, proceda como se indica a continuación:

- desconecte el compartimento
- saque el cajón y el estante de plástico de debajo del compartimento.

Nota: la bandeja superior y el soporte lateral no pueden desmontarse. Para utilizar de nuevo el «Cajón cero grados», asegúrese de que cambia la bandeja de plástico blanca de debajo del compartimento antes de introducir el cajón y activar de nuevo la función.

Para optimizar el consumo de energía, se recomienda desactivar el «Cajón cero grados» y retirarlo.



3.2. OBSERVACIONES

- No bloquee la zona de salida de aire (en la pared trasera del interior del producto) con los alimentos.
- Si el congelador dispone de una cubierta, es posible maximizar el volumen de almacenamiento retirando la cubierta.
- Todos los estantes, solapas y cestas extraíbles se pueden desmontar.
- La temperatura en el interior del aparato depende de la temperatura ambiente, la frecuencia de apertura de la puerta y la ubicación del aparato. Cuando ajuste la temperatura, tenga en cuenta todos estos factores.
- A menos que se indique lo contrario, los accesorios del aparato no se pueden poner en el lavavajillas.
- Utilice la función Pantalla inteligente siempre que sea posible.

4. CONSEJOS PARA ALMACENAR ALIMENTOS

El frigorífico es ideal para almacenar comida preparada, alimentos frescos y encurtidos, productos lácteos, fruta y verdura y bebidas.

4.1. VENTILACIÓN

- La circulación natural de aire en el compartimento del frigorífico hace que haya zonas con diferentes temperaturas. Las zona más fría está directamente encima del cajón de fruta y verdura y en la pared trasera. La zona menos fría está en la parte superior frontal del compartimento.
- La ventilación insuficiente provoca un aumento del consumo de energía y una reducción del rendimiento de la refrigeración.

4.2. CÓMO ALMACENAR ALIMENTOS FRESCOS Y BEBIDAS

- Utilice recipientes reciclables de plástico, metal, aluminio y cristal o film transparente para envolver los alimentos.

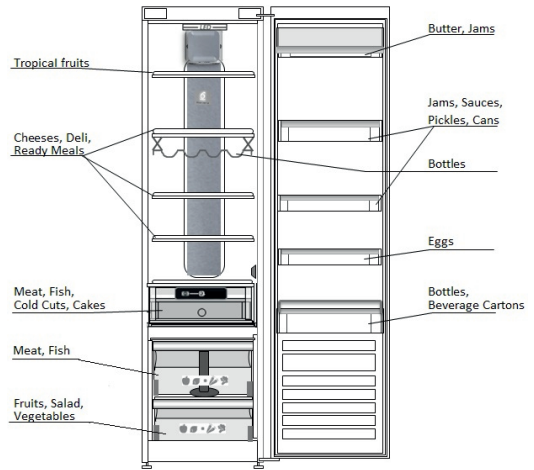
- Utilice siempre recipientes con tapa para líquidos y alimentos que puedan desprender o tomar olor o sabor de otros alimentos o cúbralos.
- Los alimentos que desprenden mucho gas etileno y aquellos que son sensibles a este gas, como las frutas y verduras o la lechuga, deben conservarse siempre en compartimentos separados o envolverse para no reducir su tiempo de conservación. Por ejemplo, no debe conservar los tomates junto con los kiwis o la col.
- No coloque los alimentos muy juntos para permitir una circulación del aire adecuada.
- Para evitar que se vuelquen las botellas, puede utilizar portabotellas (disponibles en algunos modelos).
- Si tiene que almacenar poca cantidad de alimentos en el frigorífico, recomendamos utilizar los estantes de encima del cajón para frutas y verduras ya que es la parte del compartimento mejor refrigerada.

* Disponible solo en determinados modelos. Consulte la GUÍA RÁPIDA DE INICIO para saber si esta función está disponible en su modelo.

4.3. DÓNDE ALMACENAR ALIMENTOS FRESCOS Y BEBIDAS

- En los estantes del frigorífico: comida preparada, frutas tropicales, quesos, delicatessen.
- En la zona mejor refrigerada, cajón cero grados* (encima del compartimento congelador): carne, pescado, embutido, pasteles
- En el cajón para fruta y verdura: fruta, lechuga, verdura.
- En la puerta: mantequilla, mermeladas, salsas, encurtidos, latas, botellas, bebidas en envase de cartón, huevos

EJEMPLO DE COLOCACIÓN DE ALIMENTOS



5. SONIDOS DE FUNCIONAMIENTO

Los sonidos del aparato son normales porque hay una serie de ventiladores y motores para regular las funciones que se encienden y se apagan automáticamente.

- Comprobar que los componentes interiores están colocados correctamente.
- Comprobar que las botellas y los recipientes no se toquen entre ellos.

Algunos de los sonidos de funcionamiento se pueden reducir

- Nivelando el electrodoméstico e instalándolo en una superficie nivelada
- Separar y evitar el contacto entre el aparato y los muebles.

ALGUNOS DE LOS SONIDOS DE FUNCIONAMIENTO QUE PUEDE OÍR:

Un silbido cuando se enciende el electrodoméstico por primera vez o después de una pausa



prolongada. Un borboteo cuando el líquido de refrigeración entra en las tuberías.



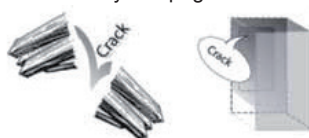
Un borboteo cuando el compresor está en funcionamiento.



Un zumbido cuando la válvula de agua o el ventilador comienzan a funcionar.



Un chasquido cuando el compresor arranca o cuando el hielo preparado cae en el contenedor para hielo. Un ruido seco cuando el compresor se enciende y se apaga.



El sonido CLIC es del termostato que ajusta la frecuencia de funcionamiento del compresor.



* Disponible solo en determinados modelos. Consulte la GUÍA RÁPIDA DE INICIO para saber si esta función está disponible en su modelo.

6. RECOMENDACIONES EN CASO DE NO USAR EL APARATO

6.1. AUSENCIAS/VACACIONES

En caso de vacaciones, se recomienda consumir toda la comida y desconectar el aparato para ahorrar energía.

6.2. MUDANZAS

1. Extraiga las partes internas.
2. Envuélvalas bien y júntelas con cinta adhesiva para que no choquen ni se pierdan.
3. Enrosque las patas regulables para que no toquen con la superficie de soporte.
4. Cierre y fije la puerta con cinta adhesiva y úsela también para fijar el cable de alimentación al aparato.

6.3. CORTE DE CORRIENTE

En caso de corte de corriente, llame a la oficina local de su suministrador eléctrico y pregunte cuánto durará.

Nota: Tenga en cuenta que un aparato lleno permanecerá frío más tiempo que uno que esté parcialmente lleno.

Si los alimentos se encuentran en malas condiciones, es mejor tirarlos.

Para cortes de corriente de hasta 24 horas.

1. Mantenga la puerta del aparato cerrada. De este modo los alimentos almacenados se mantendrán fríos el máximo tiempo posible.

Para cortes de corriente de más de 24 horas.

1. Intente consumir todos los alimentos más perecederos.

7. LIMPIEZA Y MANTENIMIENTO

Antes de llevar a cabo cualquier operación de mantenimiento, desenchufe el aparato de la red o desconecte el suministro de energía eléctrica.

Limpie el aparato regularmente con un paño y una solución de agua tibia y detergente neutro específico para interiores de frigoríficos. No use productos abrasivos. No limpie el frigorífico con líquidos inflamables. Los humos pueden provocar peligro de incendio o explosión. Limpie el exterior del aparato y la junta de la puerta con un paño húmedo y séquelo con un paño suave. No use limpiadores de vapor.

El condensador situado en la parte trasera del aparato debe limpiarse regularmente con una aspiradora.

El condensador situado en la parte trasera del aparato debe limpiarse regularmente con una aspiradora.

Importante:

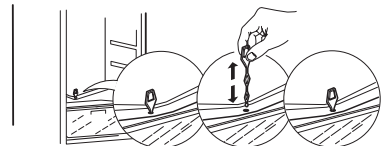
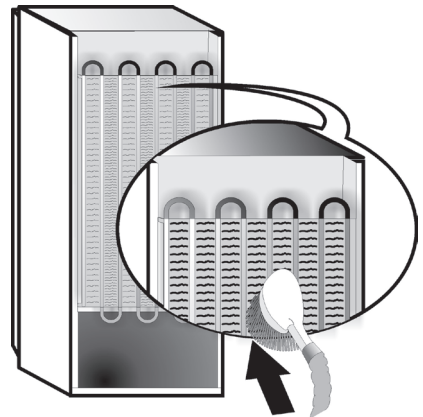
- Los botones y la pantalla del panel de control no se deben limpiar con alcohol ni sustancias derivadas de alcohol, solo con un paño seco.
- Los tubos del sistema de refrigeración están situados cerca de la zona de descongelación y pueden calentarse. Límpielos periódicamente con una aspiradora.

Para asegurar un flujo continuo y correcto del agua descongelada, limpie regularmente el interior del desagüe que está situado en la parte trasera del frigorífico, cerca del cajón para fruta y verdura, con la herramienta suministrada.

Antes de limpiar el «Cajón cero grados» (incluyendo la parte exterior), extraiga el cajón para desconectar la caja de la alimentación de corriente.

Limpie con frecuencia el compartimento y todas sus piezas con un paño, una solución de agua tibia y un detergente neutro específico para la limpieza del interior del frigorífico (teniendo cuidado de no sumergir en el agua la bandeja de plástico blanca de debajo del compartimento).

No utilice nunca productos de limpieza abrasivos.



* Disponible solo en determinados modelos. Consulte la GUÍA RÁPIDA DE INICIO para saber si esta función está disponible en su modelo.


8. GUÍA PARA LA SOLUCIÓN DE PROBLEMAS




8.1. ANTES DE PONERSE EN CONTACTO CON EL SERVICIO POSTVENTA

Los problemas de funcionamiento suelen deberse a pequeños problemas que usted mismo puede identificar y solucionar sin ningún tipo de herramienta.

PROBLEMA	SOLUCIÓN
El aparato no funciona:	<ul style="list-style-type: none"> • ¿El cable de alimentación está enchufado a una toma con el voltaje adecuado? • ¿Ha comprobado los dispositivos de protección y los fusibles de la instalación eléctrica de su hogar?
Si hay agua en la zona de descongelación:	<ul style="list-style-type: none"> • Es normal si el tiempo es cálido y húmedo. El recipiente puede estar medio lleno. Asegúrese de que el aparato esté nivelado para que el agua no se vierta.
Si los márgenes del armario del aparato, que están en contacto con la junta de la puerta, están calientes:	<ul style="list-style-type: none"> • Es normal cuando hace calor y el compresor está en funcionamiento.
Si la luz no funciona:	<ul style="list-style-type: none"> • ¿Ha comprobado los dispositivos de protección y los fusibles de la instalación eléctrica de su hogar? • ¿El cable de alimentación está enchufado a una toma con el voltaje adecuado? • Si los ledes están rotos, el usuario debe llamar al Servicio para pedir un recambio del mismo tipo, solo disponible en nuestros centros de Servicio Postventa o en un distribuidor autorizado.
Si parece que el motor funciona demasiado deprisa:	<ul style="list-style-type: none"> • El ritmo del motor depende de distintos factores: número de veces que se abre la puerta, cantidad de alimentos almacenados, temperatura de la habitación, ajuste de los controles de temperatura. • ¿El condensador (situado en la parte trasera) tiene polvo o pelusa? • ¿La puerta está bien cerrada? • ¿Las juntas de la puerta están bien fijadas? • En los días calurosos, el motor funciona durante más tiempo si la habitación está caliente. • Si la puerta del aparato se deja abierta durante un período de tiempo o se almacenan grandes cantidades de alimentos, el motor funcionará durante más tiempo para refrigerar el interior del aparato.
Si la temperatura del aparato es demasiado alta:	<ul style="list-style-type: none"> • ¿Los controles del aparato están bien configurados? • ¿Se ha añadido una gran cantidad de alimentos al aparato? • Compruebe que la puerta no se abra con demasiada frecuencia. • Compruebe que la puerta está bien cerrada.
Si las puertas no abren y cierran correctamente:	<ul style="list-style-type: none"> • Compruebe que no haya paquetes de alimentos bloqueando la puerta. • Compruebe que las partes internas o la máquina del hielo automática estén en su posición. • Compruebe que las juntas de la puerta no estén sucias o pegajosas. • Asegúrese de que el aparato esté nivelado.

8.2. FALLOS

En caso de que se produzcan alarmas de funcionamiento también se mostrarán en los LED de dígitos (por ejemplo, Failure1 (fallo 1), Failure2 (fallo 2), etc.), póngase en contacto con el Servicio Postventa e indique el código de alarma. En función del código de fallo descrito a continuación, la alarma acústica sonará, el icono de alarma  se iluminará y la letra F parpadeará en la pantalla de dígitos:

Código de fallo	Visualización
Error 2	La letra F parpadea/se apaga cada 0,5 segundos. Parpadea 2 veces y después permanece apagada durante 5 segundos. El patrón se repite.  x2
Error 3	La letra F parpadea/se apaga cada 0,5 segundos. Parpadea 3 veces y después permanece apagada durante 5 segundos. El patrón se repite.  x3
Error 6	La letra F parpadea/se apaga cada 0,5 segundos. Parpadea 6 veces y después permanece apagada durante 5 segundos. El patrón se repite.  x6

* Disponible solo en determinados modelos. Consulte la GUÍA RÁPIDA DE INICIO para saber si esta función está disponible en su modelo.

9. SERVICIO POSTVENTA

Antes de ponerse en contacto con el Servicio Postventa:

Encienda el aparato de nuevo para ver si el problema persiste. En caso que persista, desconecte el aparato del suministro eléctrico y espere aproximadamente una hora antes de volver a conectarlo.

Si después de realizar las acciones descritas en la Guía para la solución de problemas y de volver a encender el aparato, este sigue funcionando mal, contacte con el Servicio Postventa y explique su problema.

Especifique:

- el modelo y el número de serie del aparato (indicado en la placa de características),
- el tipo de problema,

SERVICE 0000 000 00000



- el número de Servicio (el número que aparece después de la palabra **SERVICE** en la placa de datos del interior del aparato),
- su dirección completa,
- su número de teléfono y código postal.

Nota:

La dirección de apertura de la puerta se puede cambiar. La garantía no cubre esta operación si la lleva a cabo el Servicio Postventa.

ΕΥΡΕΤΗΡΙΟ

Κεφάλαιο 1: ΕΓΚΑΤΑΣΤΑΣΗ	49
1.1. ΕΓΚΑΤΑΣΤΑΣΗ ΜΕΜΟΝΩΜΕΝΗΣ ΣΥΣΚΕΥΗΣ	49
1.2. ΕΓΚΑΤΑΣΤΑΣΗ ΔΥΟ ΣΥΣΚΕΥΩΝ	49
1.3. ΡΥΘΜΙΣΗ ΠΟΡΤΩΝ (ΑΝ ΥΠΑΡΧΕΙ)	49
Κεφάλαιο 2: ΛΕΙΤΟΥΡΓΙΕΣ	50
2.1. ΟΝ/STAND BY	50
2.2. ΕΞΥΠΝΗ ΟΘΟΝΗ*	50
2.3. 6TH SENSE FRESH CONTROL / «PROFRESH»	50
2.4. ΣΥΝΑΓΕΡΜΟΣ ΑΝΟΙΧΤΗΣ ΠΟΡΤΑΣ	50
2.5. ΔΙΑΚΟΠΕΣ	50
2.6. ΤΑΧΕΙΑ ΨΥΞΗ	50
2.7. ΣΥΡΤΑΡΙ ΜΗΔΕΝΙΚΗΣ ΘΕΡΜΟΚΡΑΣΙΑΣ*	51
2.8. ΑΝΕΜΙΣΤΗΡΑΣ	51
2.9. ΡΥΘΜΙΣΗ ΘΕΡΜΟΚΡΑΣΙΑΣ	51
2.10. ΑΥΤΟΜΑΤΗ ΑΠΟΨΥΞΗ ΤΟΥ ΨΥΓΕΙΟΥ	51
2.11. ΣΥΣΤΗΜΑ ΦΩΤΙΣΜΟΥ LED*	52
2.12. ΣΥΡΤΑΡΙ ΔΙΑΤΗΡΗΣΗΣ ΕΛΕΓΧΟΜΕΝΗΣ ΥΓΡΑΣΙΑΣ*	52
Κεφάλαιο 3: ΧΡΗΣΗ	52
3.1. ΠΩΣ ΝΑ ΑΥΞΗΣΕΤΕ ΤΗ ΧΩΡΗΤΙΚΟΤΗΤΑ ΤΟΥ ΨΥΓΕΙΟΥ	52
3.2. ΣΗΜΕΙΩΣΕΙΣ	52
Κεφάλαιο 4: ΣΥΜΒΟΥΛΕΣ ΓΙΑ ΤΗ ΦΥΛΑΞΗ ΤΡΟΦΙΜΩΝ	52
4.1. ΕΞΑΕΡΙΣΜΟΣ	52
4.2. ΠΩΣ ΝΑ ΑΠΟΘΗΚΕΥΕΤΕ ΤΑ ΦΡΕΣΚΑ ΤΡΟΦΙΜΑ ΚΑΙ ΠΟΤΑ	52
4.3. ΠΟΥ ΝΑ ΑΠΟΘΗΚΕΥΕΤΕ ΤΑ ΦΡΕΣΚΑ ΤΡΟΦΙΜΑ ΚΑΙ ΠΟΤΑ	53
Κεφάλαιο 5: ΗΧΟΙ ΛΕΙΤΟΥΡΓΙΑΣ	53
Κεφάλαιο 6: ΣΥΣΤΑΣΕΙΣ ΣΕ ΠΕΡΙΠΤΩΣΗ ΜΗ ΧΡΗΣΗΣ ΤΗΣ ΣΥΣΚΕΥΗΣ	54
6.1. ΑΠΟΥΣΙΑ / ΔΙΑΚΟΠΕΣ	54
6.2. ΜΕΤΑΚΟΜΙΣΗ	54
6.3. ΔΙΑΚΟΠΗ ΡΕΥΜΑΤΟΣ	54
Κεφάλαιο 7: ΣΥΝΤΗΡΗΣΗ ΚΑΙ ΚΑΘΑΡΙΣΜΟΣ	54
Κεφάλαιο 8: ΟΔΗΓΟΣ ΑΝΤΙΜΕΤΩΠΙΣΗΣ ΠΡΟΒΛΗΜΑΤΩΝ	55
8.1. ΠΡΙΝ ΕΠΙΚΟΙΝΩΝΗΣΕΤΕ ΜΕ ΤΟ ΚΕΝΤΡΟ ΕΞΥΠΗΡΕΤΗΣΗΣ ΠΕΛΑΤΩΝ	55
8.2. ΒΛΑΒΕΣ	55
Κεφάλαιο 9: ΚΕΝΤΡΟ ΕΞΥΠΗΡΕΤΗΣΗΣ ΠΕΛΑΤΩΝ	56
Διάφορα:	
ΑΝΤΙΣΤΡΟΦΗ ΑΝΟΙΓΜΑΤΟΣ ΠΟΡΤΑΣ (ΕΚΔΟΣΗ_1)	75
ΑΝΤΙΣΤΡΟΦΗ ΑΝΟΙΓΜΑΤΟΣ ΠΟΡΤΑΣ (ΕΚΔΟΣΗ_2)	77

ΣΗΜΕΙΩΣΗ:

Οι οδηγίες ισχύουν για πολλά μοντέλα, επομένως ενδέχεται να υπάρχουν διαφορές. Οι ενότητες που ισχύουν μόνο σε συγκεκριμένες συσκευές υποδεικνύονται με αστερίσκο (*).
Θα βρείτε τις λειτουργίες που αφορούν ειδικά το μοντέλο του προϊόντος που αγοράσατε στο ΣΥΝΤΟΜΟ ΟΔΗΓΟ ΕΝΑΡΞΗΣ.

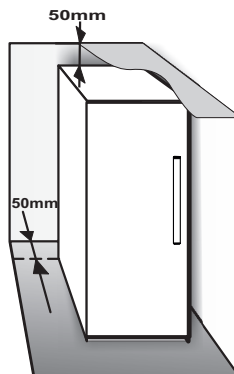
1. ΕΓΚΑΤΑΣΤΑΣΗ

1.1. ΕΓΚΑΤΑΣΤΑΣΗ ΜΕΜΟΝΩΜΕΝΗΣ ΣΥΣΚΕΥΗΣ

Για να διασφαλίσετε επαρκή εξαερισμό, αφήστε κενό και στις δύο πλευρές και πάνω από τη συσκευή.

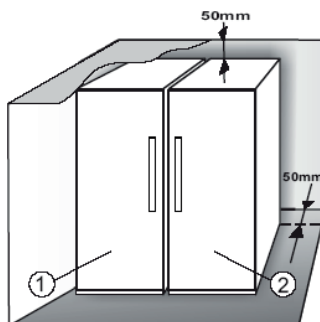
Η απόσταση ανάμεσα στην πίσω πλευρά της συσκευής και τον τοίχο που βρίσκεται πίσω από τη συσκευή πρέπει να είναι τουλάχιστον 50 mm.

Μείωση αυτής της απόστασης θα αυξήσει την κατανάλωση ενέργειας του προϊόντος.



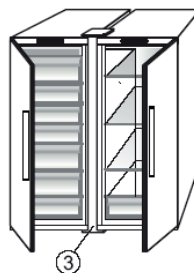
1.2. ΕΓΚΑΤΑΣΤΑΣΗ ΔΥΟ ΣΥΣΚΕΥΩΝ

Εάν εγκαθιστάτε καταψύκτη ① και ψυγείο ② μαζί, βεβαιωθείτε ότι ο καταψύκτης βρίσκεται στα αριστερά και το ψυγείο στα δεξιά (όπως φαίνεται στο σχήμα). Η αριστερή πλευρά του ψυγείου είναι εξοπλισμένη με ειδικό μηχανισμό για να αποφεύγονται τα προβλήματα υδρατμών μεταξύ των συσκευών.



Συνιστάται να εγκαταστήσετε τις δύο συσκευές μαζί χρησιμοποιώντας το κιτ σύζευξης ③ (όπως φαίνεται στο σχήμα).

Μπορείτε να το αγοράσετε μέσω του κέντρου εξυπηρέτησης πελατών.

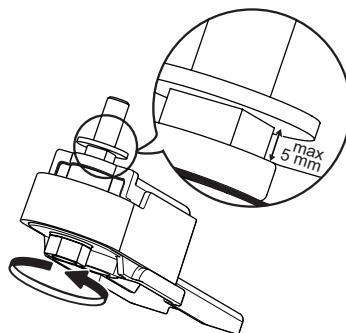


1.3. ΡΥΘΜΙΣΗ ΠΟΡΤΩΝ (ΑΝ ΥΠΑΡΧΕΙ)

Για το αλφάδιασμα των πορτών χρησιμοποιώντας τον ρυθμιζόμενο κάτω μεντεσέ (επιλεγμένα μοντέλα)

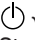

Αν πόρτα του ψυγείου είναι χαμηλότερα από την πόρτα του καταψύκτη, σηκώστε την πόρτα του ψυγείου περιστρέφοντας τη βίδα ρύθμισης αριστερόστροφα με ένα κλειδί M10.

Αν πόρτα του καταψύκτη είναι χαμηλότερα από την πόρτα του ψυγείου, σηκώστε την πόρτα του καταψύκτη περιστρέφοντας τη βίδα ρύθμισης αριστερόστροφα με ένα κλειδί M10.

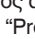



2. ΛΕΙΤΟΥΡΓΙΕΣ

2.1. ON/STAND BY

Αυτή η λειτουργία χρησιμοποιείται για να ενεργοποιηθεί ή να τεθεί σε κατάσταση αναμονής (Stand-by) το ψυγείο. Για να θέσετε το προϊόν σε κατάσταση Stand-by, κρατήστε πατημένο το κουμπί On/Stand-by  για 3 δευτερόλεπτα. Όταν η συσκευή βρίσκεται σε Stand-by, το φως στο εσωτερικό του ψυγείου δεν λειτουργεί. Μην ξεχνάτε ότι αυτή η λειτουργία δεν αποσυνδέει τη συσκευή από την παροχή ρεύματος. Για να ενεργοποιήσετε ξανά τη συσκευή, απλά πατήστε το κουμπί On/Stand-by .

2.2. ΕΞΥΠΝΗ ΟΘΟΝΗ*

Μπορείτε να χρησιμοποιήσετε αυτή την προαιρετική λειτουργία για να εξοικονομήσετε ενέργεια. Ακολουθήστε τις οδηγίες που περιέχονται στον Σύντομο Οδηγό Έναρξης για να ενεργοποιήσετε/απενεργοποιήσετε τη λειτουργία. Δύο δευτερόλεπτα μετά την ενεργοποίηση της έξυπνης οθόνης, η οθόνη σβήνει. Για να ρυθμίσετε τη θερμοκρασία ή για να χρησιμοποιήσετε άλλες λειτουργίες, πρέπει να ενεργοποιήσετε την οθόνη πατώντας οποιοδήποτε κουμπί. Μετά την ενεργοποίηση της έξυπνης οθόνης, η οθόνη σβήνει, εκτός από την ένδειξη "6th Sense Fresh Control" /  "ProFresh". Όταν η έξυπνη οθόνη είναι ενεργή - για να ρυθμίσετε τη θερμοκρασία ή για να χρησιμοποιήσετε άλλες λειτουργίες, πρέπει να ενεργοποιήσετε την οθόνη πατώντας οποιοδήποτε κουμπί.

Μετά από περίπου 15 δευτερόλεπτα χωρίς να υπάρξει καμία ενέργεια, η οθόνη σβήνει ξανά και μόνο η ένδειξη "6th Sense Fresh Control" /  "ProFresh" παραμένει ορατή. Όταν η λειτουργία απενεργοποιείται, επανέρχεται η κανονική οθόνη. Η έξυπνη οθόνη απενεργοποιείται αυτόματα μετά από ηλεκτρική βλάβη. Μην ξεχνάτε ότι αυτή η λειτουργία δεν αποσυνδέει τη συσκευή από την παροχή ρεύματος, απλώς μειώνει την ενέργεια που καταναλώνει η εξωτερική οθόνη.

Σημείωση: Η δηλωμένη ενεργειακή κατανάλωση της συσκευής αναφέρεται σε λειτουργία με ενεργοποιημένη τη λειτουργία έξυπνης οθόνης.

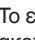
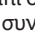
2.3. 6th SENSE FRESH CONTROL

«PROFRESH» 

Με τη λειτουργία αυτή μπορούν να επιτευχθούν γρήγορα οι βέλτιστες συνθήκες συντήρησης τροφίμων (όσον αφορά θερμοκρασία και υγρασία) εντός της συσκευής. Πρέπει επίσης να ενεργοποιηθεί ο ανεμιστήρας προκειμένου να διασφαλιστεί η σωστή λειτουργία. Η λειτουργία "6th Sense Fresh Control" / "ProFresh" είναι ενεργή ως προεπιλογή. Για να ενεργοποιηθεί ή να απενεργοποιηθεί αυτή η λειτουργία, ανατρέξτε στον παρεχόμενο "Σύντομο οδηγό έναρξης".

Μετά από διακοπή ρεύματος ή έξοδο από Stand-by σε κανονική κατάσταση, η λειτουργία "6th Sense Fresh Control" / "ProFresh" επανέρχεται στην προεπιλεγμένη, δηλαδή ενεργή κατάσταση.

2.4. ΣΥΝΑΓΕΡΜΟΣ ΑΝΟΙΧΤΗΣ ΠΟΡΤΑΣ

Το εικονίδιο  συναγερμού αναβοσβήνει και ακούγεται ο ηχητικός συναγερμός. Ο συναγερμός ενεργοποιείται όταν η πόρτα παραμένει ανοιχτή για παραπάνω από 2 λεπτά. Για να απενεργοποιήσετε το συναγερμό πόρτας, κλείστε την πόρτα ή πατήστε μία φορά το κουμπί διακοπής συναγερμού  για σίγαση του ηχητικού συναγερμού.

2.5. ΔΙΑΚΟΠΕΣ

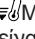
Μπορείτε να ενεργοποιήσετε αυτή τη λειτουργία για να μειώσετε την κατανάλωση ενέργειας της συσκευής όταν λείψετε για κάποιο χρονικό διάστημα. Πριν ενεργοποιήσετε τη λειτουργία πρέπει να αφαιρέσετε από το ψυγείο όλα τα ευάλωτα φαγώσιμα είδη και να βεβαιωθείτε ότι έχετε κλείσει καλά την πόρτα, καθώς το ψυγείο θα διατηρήσει μια κατάλληλη θερμοκρασία για την πρόληψη δημιουργίας ανεπιθύμητων οσμών (+12°C). Για να ενεργοποιήσετε ή να απενεργοποιήσετε τη λειτουργία, πατήστε το κουμπί "Διακοπές" για 3 δευτερόλεπτα. Όταν η λειτουργία ενεργοποιηθεί, θα ανάψει το αντίστοιχο σύμβολο και η θερμοκρασία του ψυγείου θα τεθεί σε υψηλότερο επίπεδο (η ένδειξη θερμοκρασίας θα εμφανίσει το νέο επίπεδο θερμοκρασίας των +12°C). Η αλλαγή του επιπέδου θερμοκρασίας θα απενεργοποιήσει αυτόματα τη λειτουργία.

Προσοχή:

• **Ασμβατότητα με τη λειτουργία "Ταχεία ψύξη"**
Για τη διασφάλιση της βέλτιστης απόδοσης, οι λειτουργίες "Διακοπές" και "Ταχεία ψύξη" δεν μπορούν να χρησιμοποιηθούν ταυτόχρονα. Επομένως αν η λειτουργία "Ταχεία ψύξη" έχει ήδη ενεργοποιηθεί, πρέπει πρώτα να απενεργοποιηθεί προκειμένου να ενεργοποιηθεί η λειτουργία "Διακοπές" (και αντίστροφα).

2.6. ΤΑΧΕΙΑ ΨΥΞΗ

Η λειτουργία αυτή συνιστάται όταν τοποθετούνται μεγάλες ποσότητες τροφίμων στο ψυγείο.

 Με τη χρήση της λειτουργίας "Ταχεία ψύξη" είναι δυνατό να αυξήσετε την ικανότητα ψύξης του ψυγείου. Για να μεγιστοποιήσετε την ικανότητα ψύξης, αφήστε τον ανεμιστήρα σε λειτουργία.

Προσοχή:

• **Ασμβατότητα με τη λειτουργία "Διακοπές"**
Για τη διασφάλιση της βέλτιστης απόδοσης, οι λειτουργίες "Διακοπές" και "Ταχεία ψύξη" δεν μπορούν να χρησιμοποιηθούν ταυτόχρονα. Επομένως αν η λειτουργία "Διακοπές" έχει ήδη ενεργοποιηθεί, πρέπει πρώτα να απενεργοποιηθεί προκειμένου να ενεργοποιηθεί η λειτουργία "Ταχεία ψύξη" (και αντίστροφα).

* Διατίθεται μόνο σε επιλεγμένα μοντέλα. Ανατρέξτε στον ΣΥΝΤΟΜΟ ΟΔΗΓΟ ΕΝΑΡΞΗΣ αν αυτή η λειτουργία είναι διαθέσιμη στο μοντέλο σας.

2.7. ΣΥΡΤΑΡΙ ΜΗΔΕΝΙΚΗΣ ΘΕΡΜΟΚΡΑΣΙΑΣ*

Το συρτάρι μηδενικής θερμοκρασίας έχει σχεδιαστεί ειδικά με χαμηλή θερμοκρασία και τα σωστά επίπεδα υγρασίας ώστε να διατηρεί τα τρόφιμα φρέσκα για περισσότερο χρόνο (για παράδειγμα κρέας, ψάρι, φρούτα και χειμερινά λαχανικά).

Ενεργοποίηση και απενεργοποίηση του θαλάμου



Για να ενεργοποιήσετε/απενεργοποιήσετε το θάλαμο, πατήστε το κουμπί που φαίνεται στην εικόνα.

Το αναμμένο σύμβολο υποδεικνύει ότι ο θάλαμος λειτουργεί.

Η θερμοκρασία εντός του θαλάμου όταν είναι ενεργός είναι περίπου 0°. Οι παρακάτω παράγοντες είναι ουσιαστικές προκειμένου να λειτουργήσει σωστά ο θάλαμος μηδενικής θερμοκρασίας:

- Το ψυγείο πρέπει να είναι ενεργοποιημένο
- Η θερμοκρασία του θαλάμου ψυγείου πρέπει να είναι μεταξύ +2 °C και +5 °C
- Ο θάλαμος πρέπει να είναι στη θέση του για να είναι δυνατή η ενεργοποίηση
- Δεν πρέπει να έχουν επιλεγεί ειδικές λειτουργίες (Stand-by, Διακοπές – όπου ισχύει).

Εάν έχει επιλεγεί μία από αυτές τις ειδικές λειτουργίες, ο θάλαμος μηδενικής θερμοκρασίας πρέπει να απενεργοποιηθεί από το χρήστη και οποιαδήποτε φρέσκα τρόφιμα βρίσκονται εντός πρέπει να αφαιρεθούν. Εάν δεν γίνει απενεργοποίηση από το χρήστη, ο θάλαμος θα απενεργοποιηθεί αυτόματα μετά από 8 ώρες.

Σημείωση:

- Εάν το σύμβολο δεν ανάψει όταν ενεργοποιηθεί η λειτουργία, βεβαιωθείτε ότι το συρτάρι έχει τοποθετηθεί σωστά. Εάν το πρόβλημα παραμένει, επικοινωνήστε με την εξουσιοδοτημένη υπηρεσία τεχνικής υποστήριξης.
- Εάν η λειτουργία είναι ενεργή και το συρτάρι ανοιχτό, το σύμβολο στον πίνακα ελέγχου μπορεί να απενεργοποιηθεί αυτόματα. Εάν κλείσει το συρτάρι, το σύμβολο μπορεί να ενεργοποιηθεί πάλι
- Ανεξάρτητα από την κατάσταση της συγκεκριμένης λειτουργίας, μπορεί να ακουστεί ένας ελαφρύς θόρυβος: Είναι φυσιολογικός και δεν πρέπει να σας ανησυχεί.
- Όταν η λειτουργία δεν είναι ενεργή, η θερμοκρασία στο συρτάρι εξαρτάται από τη συνολική θερμοκρασία εντός του ψυγείου.

Σε αυτή την περίπτωση, σας συνιστούμε να το χρησιμοποιήσετε για να φυλάξετε φρούτα και λαχανικά που δεν είναι ευαίσθητα στο κρύο (μούρα, μήλα, βερικόκα, καρότα, σπανάκι, μαρούλι κ.λπ.).

Προσοχή: Σε περίπτωση ενεργοποίησης της λειτουργίας και ύπαρξη τροφίμων με υψηλή περιεκτικότητα σε νερό, ενδέχεται να σχηματιστεί συμπύκνωμα στα ράφια. Σε αυτή την περίπτωση, απενεργοποιήστε προσωρινά τη συγκεκριμένη λειτουργία.

2.8. ΑΝΕΜΙΣΤΗΡΑΣ

Ο ανεμιστήρας βελτιώνει την κατανομή της θερμοκρασίας εντός του προϊόντος, επιτρέποντας έτσι την καλύτερη συντήρηση των τροφίμων. Ως προεπιλογή, ο ανεμιστήρας είναι ενεργοποιημένος. Συνιστάται να διατηρείτε τον ανεμιστήρα ενεργοποιημένο ώστε η λειτουργία "6th Sense Fresh Control" / "ProFresh" να μπορεί να λειτουργήσει σωστά και όταν η θερμοκρασία περιβάλλοντος είναι μεγαλύτερη από 27 ± 28 °C ή αν παρατηρήσετε σταγόνες νερού στα γυάλινα ράφια ή σε συνθήκες πολύ υψηλής υγρασίας. Λάβετε υπόψη σας ότι, όταν ο ανεμιστήρας είναι ενεργοποιημένος, δεν λειτουργεί διαρκώς. Ο ανεμιστήρας σταματά και ξεκινά ανάλογα με τα επίπεδα θερμοκρασίας ή/και υγρασίας εντός του προϊόντος. Για αυτό, είναι απολύτως φυσιολογικό να μην κινείται ο ανεμιστήρας ακόμα και όταν είναι ενεργοποιημένος.

Για να ενεργοποιήσετε ή να απενεργοποιήσετε αυτή τη λειτουργία, ανατρέξτε στον παρεχόμενο "Σύντομο οδηγό έναρξης".

Προσοχή: Με την απενεργοποίηση του ανεμιστήρα απενεργοποιείται η λειτουργία "6th Sense Fresh Control" / "ProFresh".

Σημείωση:

Μην φράζετε την περιοχή εισαγωγής αέρα με τρόφιμα.

Απενεργοποιήστε τον ανεμιστήρα όταν θέλετε να διασφαλίσετε σωστή απόδοση σε χαμηλότερες θερμοκρασίες περιβάλλοντος (κάτω από 18°C) και για να ελαχιστοποιήσετε την κατανάλωση ενέργειας. Για να απενεργοποιήσετε τον ανεμιστήρα, ανατρέξτε στην παραπάνω διαδικασία.

Εάν η συσκευή διαθέτει ανεμιστήρα, μπορεί να είναι εξοπλισμένος με **αντιβακτηριακό φίλτρο**.

Αφαιρέστε το από τη θήκη του στο συρτάρι διατήρησης φρούτων και λαχανικών και τοποθετήστε το στο κάλυμμα του ανεμιστήρα. Η διαδικασία αντικατάστασης περιλαμβάνεται στη θήκη του φίλτρου.

2.9. ΡΥΘΜΙΣΗ ΘΕΡΜΟΚΡΑΣΙΑΣ

Η συσκευή ρυθμίζεται συνήθως από το εργοστάσιο για λειτουργία στη συνιστώμενη θερμοκρασία των 5 °C. Ωστόσο, η εσωτερική θερμοκρασία μπορεί να ρυθμιστεί μεταξύ 8 °C και 2 °C ως εξής:

- Πατήστε το κουμπί ρύθμισης της θερμοκρασίας (°C). Η εσωτερική θερμοκρασία αλλάζει κατά -1°C με κάθε πάτημα του κουμπιού: Η τιμή εναλλάσσεται κυκλικά μεταξύ 8°C και 2°C.

Σημείωση: Οι εμφανιζόμενες τιμές αντιστοιχούν στη μέση θερμοκρασία που επικρατεί σε ολόκληρο το ψυγείο

2.10. ΑΥΤΟΜΑΤΗ ΑΠΟΨΥΞΗ ΤΟΥ ΨΥΓΕΙΟΥ

Η απόψυξη του ψυγείου γίνεται εντελώς αυτόματα. Εάν υπάρχουν σταγονίδια νερού στο πίσω τοίχωμα εσωτερικά του ψυγείου, σημαίνει ότι η αυτόματη απόψυξη είναι σε εξέλιξη. Το νερό απόψυξης ρέει αυτόματα σε μια οπή αποστράγγισης και συλλέγεται σε ένα δοχείο από όπου εξατμίζεται.

*Διατίθεται μόνο σε επιλεγμένα μοντέλα. Ανατρέξτε στον ΣΥΝΤΟΜΟ ΟΔΗΓΟ ΕΝΑΡΞΗΣ αν αυτή η λειτουργία είναι διαθέσιμη στο μοντέλο σας.

2.11. ΣΥΣΤΗΜΑ ΦΩΤΙΣΜΟΥ LED*

Το σύστημα φωτισμού στο εσωτερικό του ψυγείου χρησιμοποιεί τεχνολογία LED, παρέχοντας καλύτερο φωτισμό και πολύ χαμηλή κατανάλωση ενέργειας. Αν το σύστημα φωτισμού LED δεν λειτουργεί, επικονιώνηστε με το κέντρο εξυπηρέτησης πελατών για να το αντικαταστήσετε.

Προσοχή:

Το φως του ψυγείου ανάβει όταν ανοίξει η πόρτα του ψυγείου. Αν η πόρτα παραμείνει ανοιχτή για περισσότερο από 10 λεπτά, το φως θα σβήσει αυτόματα.

3. ΧΡΗΣΗ

3.1. ΠΩΣ ΝΑ ΑΥΞΗΣΕΤΕ ΤΗ ΧΩΡΗΤΙΚΟΤΗΤΑ ΤΟΥ ΨΥΓΕΙΟΥ

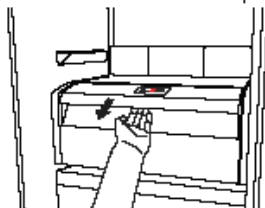
Μπορείτε να αυξήσετε τη χωρητικότητα αφαιρώντας το "ΣΥΡΤΑΡΙ ΜΗΔΕΝΙΚΗΣ ΘΕΡΜΟΚΡΑΣΙΑΣ".

Σε αυτή την περίπτωση, κάντε τις εξής ενέργειες:

- Απενεργοποιήστε το θάλαμο
- Τραβήξτε προς τα έξω το συρτάρι και το λευκό πλαστικό ράφι που βρίσκεται κάτω από το θάλαμο.

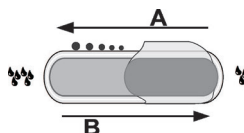
Σημείωση: Το επάνω ράφι και το πλαϊνό στήριγμα δεν αφαιρούνται. Για να αποκαταστήσετε τη λειτουργία του "συρταριού μηδενικής θερμοκρασίας",

βεβαιωθείτε ότι έχετε βάλει το λευκό πλαστικό ράφι στη θέση του κάτω από το θάλαμο πριν κλείσετε το συρτάρι και ότι ενεργοποιήσατε ξανά τη λειτουργία. Για να βελτιστοποιήσετε την κατανάλωση ενέργειας, σας συνιστούμε να απενεργοποιήσετε το "συρτάρι μηδενικής θερμοκρασίας" και να το αφαιρέσετε.



2.12. ΣΥΡΤΑΡΙ ΔΙΑΤΗΡΗΣΗΣ ΕΛΕΓΧΟΜΕΝΗΣ ΥΓΡΑΣΙΑΣ*

Τα συρτάρια διατήρησης σαλάτας που είναι προσαρμοσμένα μέσα στο ψυγείο έχουν ειδικά σχεδιαστεί για να διατηρούν τα φρούτα και τα λαχανικά φρέσκα και τραγανά. Ανοίξτε το ρυθμιστή υγρασίας (θέση Β) αν θέλετε να αποθηκεύσετε τρόφιμα με λιγότερη υγρασία, όπως φρούτα, ή κλείστε τον (θέση Α) για να αποθηκεύσετε τρόφιμα με περισσότερη υγρασία, όπως τα λαχανικά.



3.2. ΣΗΜΕΙΩΣΕΙΣ

- Μην φράζετε την περιοχή εξόδου αέρα (στο πίσω τοίχωμα εσωτερικά του προϊόντος) με τρόφιμα.
- Αν ο καταψύκτης παρέχεται με καπάκι που στηρίζεται στο επάνω μέρος, είναι δυνατή η μεγιστοποίηση του όγκου αποθήκευσης αφαιρώντας το καπάκι.
- Όλα τα ράφια, τα καπάκια και τα συρόμενα καλάθια είναι αφαιρούμενα.
- Η εσωτερική θερμοκρασία της συσκευής μπορεί να επηρεαστεί από τη θερμοκρασία του περιβάλλοντος, τη συχνότητα ανοίγματος της πόρτας και τη θέση τοποθέτησης της συσκευής. Αυτοί οι παράγοντες πρέπει να ληφθούν υπόψη κατά τη ρύθμιση της θερμοκρασίας.
- Εκτός εάν αναφέρεται διαφορετικά, τα αξεσουάρ της συσκευής δεν είναι ασφαλή για πλύσιμο σε πλυντήριο πιάτων.
- Χρησιμοποιήστε τη λειτουργία έξυπνης οθόνης όσο πιο συχνά γίνεται.

4. ΣΥΜΒΟΥΛΕΣ ΓΙΑ ΤΗ ΦΥΛΑΞΗ ΤΡΟΦΙΜΩΝ

Το ψυγείο είναι ο ιδανικός χώρος φύλαξης για έτοιμα γεύματα, φρέσκα και συντηρημένα φαγητά, γαλακτοκομικά, φρούτα και λαχανικά και ποτά.

4.1. ΕΞΑΕΡΙΣΜΟΣ

- Η φυσιολογική κυκλοφορία του αέρα στο ψυγείο δημιουργεί ζώνες με διαφορετικές θερμοκρασίες. Η ψυχρότερη ζώνη είναι ακριβώς πάνω από το συρτάρι διατήρησης φρούτων και λαχανικών και στο πίσω τοίχωμα. Η θερμότερη ζώνη είναι στο επάνω μπροστινό τμήμα του ψυγείου.
- Ο ανεπαρκής εξαερισμός προκαλεί αύξηση της κατανάλωσης ενέργειας και μείωση της ψυκτικής απόδοσης.

4.2. ΠΩΣ ΝΑ ΑΠΟΘΗΚΕΥΕΤΕ ΤΑ ΦΡΕΣΚΑ ΤΡΟΦΙΜΑ ΚΑΙ ΠΟΤΑ

- Χρησιμοποιήστε δοχεία από ανακυκλώσιμο πλαστικό, μέταλλο, αλουμίνιο και γυαλί καθώς και διαφανή μεμβράνη για να τυλίξετε τα τρόφιμα.

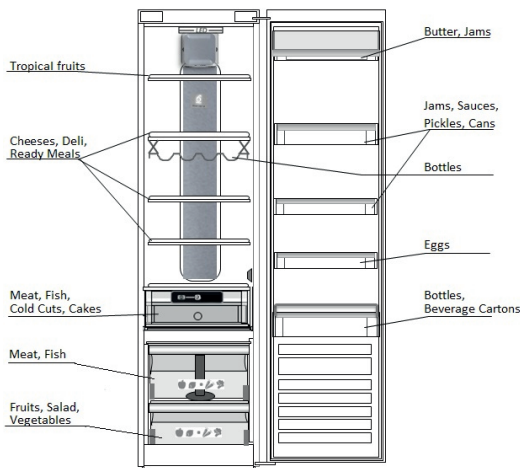
- Χρησιμοποιείτε πάντα κλειστά δοχεία για υγρά και φαγητά που μπορεί να αναδύουν μυρωδιές ή να αλλοιώνονται εύκολα ή καλύψτε τα.
- Τα τρόφιμα που εκλύουν μεγάλες ποσότητες αέριου αιθυλενίου και αυτά που είναι ευαίσθητα σε αυτό το αέριο, όπως τα φρούτα, τα λαχανικά και οι σαλάτες, πρέπει πάντα να διαχωρίζονται ή να τυλιγούνται έτσι ώστε να μην μειώνεται ο χρόνος φύλαξής τους. Για παράδειγμα, μην φυλάσσετε ντομάτες μαζί με ακτινίδια ή λάχανο.
- Μην τοποθετείτε τα τρόφιμα πολύ κοντά το ένα στο άλλο, ώστε να είναι δυνατή η επαρκής κυκλοφορία του αέρα.
- Για να αποφύγετε τυχόν ανατροπή των μπουκαλιών, μπορείτε να χρησιμοποιήσετε τη θήκη μπουκαλιών (διατίθεται σε επιλεγμένα μοντέλα).
- Αν έχετε μικρή ποσότητα τροφίμων για φύλαξη στο ψυγείο, συνιστάται να χρησιμοποιείτε τα ράφια πάνω από το συρτάρι διατήρησης φρούτων και λαχανικών καθώς αυτή είναι η ψυχρότερη περιοχή του ψυγείου.

* Διατίθεται μόνο σε επιλεγμένα μοντέλα. Ανατρέξτε στον ΣΥΝΤΟΜΟ ΟΔΗΓΟ ΕΝΑΡΞΗΣ αν αυτή η λειτουργία είναι διαθέσιμη στο μοντέλο σας.

4.3. ΠΟΥ ΝΑ ΑΠΟΘΗΚΕΥΤΕ ΤΑ ΦΡΕΣΚΑ ΤΡΟΦΙΜΑ ΚΑΙ ΠΟΤΑ

- Στα ράφια του ψυγείου: έτοιμα γεύματα, τροπικά φρούτα, τυριά, προϊόντα ντελικατέσεν.
- Στην ψυχρότερη περιοχή - συρτάρι μηδενικής θερμοκρασίας* (πάνω από το χώρο ευπαθών τροφίμων): κρέας, ψάρια, αλλαντικά, γλυκά
- Στο συρτάρι διατήρησης φρούτων και λαχανικών: φρούτα, σαλάτες, λαχανικά.
- Στην πόρτα: βούτυρο, μαρμελάδες, σάλτσες, τουρσιά, ποτά σε κουτάκια, μπουκάλια, ποτά σε χάρτινη συσκευασία, αβγά

ΠΑΡΑΔΕΙΓΜΑ ΤΑΚΤΟΠΟΙΗΣΗΣ ΤΡΟΦΙΜΩΝ



5. ΗΧΟΙ ΛΕΙΤΟΥΡΓΙΑΣ

Οι ήχοι που προέρχονται από τις συσκευές σας είναι φυσιολογικοί καθώς υπάρχουν ανεμιστήρες και κινητήρες για τη ρύθμιση της απόδοσης που ενεργοποιούνται και απενεργοποιούνται αυτόματα.

Μερικοί από τους ήχους λειτουργίας μπορούν να μειωθούν ως εξής

- Ευθυγραμμίστε τη συσκευή σε οριζόντια θέση και τοποθετήστε την σε ομαλή επιφάνεια

- Διαχωρίστε τη συσκευή και αποφύγετε την επαφή της με έπιπλα.
- Βεβαιωθείτε ότι τα εσωτερικά εξαρτήματα έχουν τοποθετηθεί σωστά.
- Βεβαιωθείτε ότι τα μπουκάλια και τα δοχεία δεν έρχονται σε επαφή μεταξύ τους.

Μερικοί από τους ήχους λειτουργίας που μπορεί να ακούσετε:

Σφύριγμα κατά την ενεργοποίηση της συσκευής για πρώτη φορά ή μετά από παρατεταμένο διάστημα



διακοπής λειτουργίας. Κελάρυσμα κατά την είσοδο του ψυκτικού υγρού στους σωλήνες.



Ο ήχος BRRR προέρχεται από τον συμπιεστή σε λειτουργία.



Βόμβος κατά την έναρξη λειτουργίας της βαλβίδας νερού ή του ανεμιστήρα.



Κροτάλισμα κατά την έναρξη της λειτουργίας του συμπιεστή ή όταν τα έτοιμα παγάκια πέφτουν στο δοχείο πάγου. Ξαφνικά "κλικ" κατά την ενεργοποίηση και την απενεργοποίηση του συμπιεστή.



Ο ήχος CLICK προέρχεται από το θερμοστάτη που ρυθμίζει πόσο συχνά θα λειτουργεί ο συμπιεστής.



* Διατίθεται μόνο σε επιλεγμένα μοντέλα. Ανατρέξτε στον ΣΥΝΤΟΜΟ ΟΔΗΓΟ ΕΝΑΡΞΗΣ αν αυτή η λειτουργία είναι διαθέσιμη στο μοντέλο σας.

6. ΣΥΣΤΑΣΕΙΣ ΣΕ ΠΕΡΙΠΤΩΣΗ ΜΗ ΧΡΗΣΗΣ ΤΗΣ ΣΥΣΚΕΥΗΣ

6.1. ΑΠΟΥΣΙΑ / ΔΙΑΚΟΠΕΣ

Εάν πάτε διακοπές, συνιστάται να καταναλώσετε τα τρόφιμα και να αποσυνδέσετε τη συσκευή από το ρεύμα για να εξοικονομήσετε ενέργεια.

6.2. ΜΕΤΑΚΟΜΙΣΗ

1. Αφαιρέστε όλα τα εσωτερικά εξαρτήματα.
2. Τυλίξτε τα καλά και στερεώστε τα μεταξύ τους με αυτοκόλλητη ταινία ώστε να μη χτυπήσουν μεταξύ τους ή χαθούν.
3. Βιδώστε τα ρυθμιζόμενα πόδια ώστε να μην αγγίζουν την επιφάνεια στήριξης.
4. Κλείστε και στερεώστε την πόρτα με αυτοκόλλητη ταινία και, πάλι με αυτοκόλλητη ταινία, στερεώστε το ηλεκτρικό καλώδιο στη συσκευή.

6.3. ΔΙΑΚΟΠΗ ΡΕΥΜΑΤΟΣ

Σε περίπτωση διακοπής ρεύματος, επικοινωνήστε με την επιχείρηση ηλεκτρισμού και ρωτήστε πόσο θα διαρκέσει.

Σημείωση: Λάβετε υπόψη σας ότι όταν η συσκευή είναι γεμάτη διατηρεί την ψύξη για μεγαλύτερο διάστημα από ό,τι όταν είναι εν μέρει γεμάτη.

Αν η κατάσταση των τροφίμων δεν είναι καλή, καλύτερα να τα πετάξετε.

Για διακοπές ρεύματος έως 24 ώρες.

1. Διατηρήστε κλειστή την πόρτα της συσκευής. Με τον τρόπο αυτό, τα αποθηκευμένα τρόφιμα θα διατηρηθούν κρύα για όσο το δυνατό μεγαλύτερο διάστημα.

Για διακοπές ρεύματος άνω των 24 ωρών.

1. Προσπαθήστε να καταναλώσετε τα πιο ευπαθή τρόφιμα.

7. ΣΥΝΤΗΡΗΣΗ ΚΑΙ ΚΑΘΑΡΙΣΜΟΣ

Πριν εκτελέσετε οποιαδήποτε εργασία καθαρισμού ή συντήρησης, αφαιρέστε το φιν από την πρίζα ή αποσυνδέστε τη συσκευή από την παροχή ρεύματος. Καθαρίζετε περιοδικά τη συσκευή με πανί και διάλυμα χλιαρού νερού και ουδέτερου απορρυπαντικού, ειδικού για τον καθαρισμό του εσωτερικού του ψυγείου. Μην χρησιμοποιείτε ποτέ διαβρωτικά προϊόντα. Μην καθαρίζετε ποτέ τα μέρη του ψυγείου με εύφλεκτα υγρά. Οι ατμοί που ελευθερώνονται μπορεί να προκαλέσουν πυρκαγιά ή έκρηξη. Καθαρίστε το εξωτερικό της συσκευής και το λάστιχο της πόρτας με νοτισμένο πανί και στεγνώστε με μαλακό πανί. Μην χρησιμοποιείτε συσκευές καθαρισμού με ατμό. Ο συμπυκνωτής που βρίσκεται στο πίσω μέρος της συσκευής πρέπει να καθαρίζεται τακτικά με ηλεκτρική σκούπα. Ο συμπυκνωτής που βρίσκεται στο πίσω μέρος της συσκευής πρέπει να καθαρίζεται τακτικά με ηλεκτρική σκούπα.

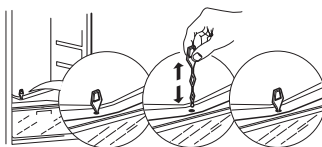
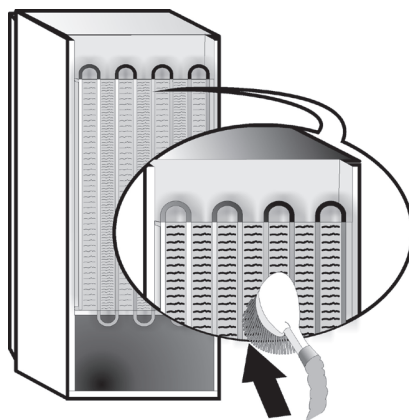
Προσοχή:

- Τα κουμπιά και η οθόνη του πίνακα ελέγχου δεν πρέπει να καθαρίζονται με οινόπνευμα ή παράγωγά του αλλά με στεγνό πανί.
- Οι σωλήνες του ψυκτικού συστήματος είναι τοποθετημένοι κοντά στη λεκάνη νερού απόψυξης και μπορεί να θερμανθούν. Καθαρίστε τους περιοδικά με ηλεκτρική σκούπα.

Για να διασφαλιστεί η συνεχής και σωστή ροή του νερού απόψυξης, καθαρίζετε τακτικά το εσωτερικό της οπής αποστράγγισης στην πίσω πλευρά του ψυγείου κοντά στο συρτάρι διατήρησης φρούτων και λαχανικών με το παρεχόμενο εργαλείο.

Πριν καθαρίσετε το "συρτάρι μηδενικής θερμοκρασίας" (συμπεριλαμβανομένης της εξωτερικής του επιφάνειας), αφαιρέστε το συρτάρι για να αποσυνδεθεί ο θάλαμος από την ηλεκτρική παροχή. Καθαρίζετε τακτικά το θάλαμο και όλα τα μέρη του με πανί και διάλυμα χλιαρού νερού και ουδέτερου απορρυπαντικού, ειδικού για τον καθαρισμό του εσωτερικού του ψυγείου (προσέξτε να μην βυθίσετε σε νερό το λευκό πλαστικό ράφι που βρίσκεται κάτω από το θάλαμο). Μην χρησιμοποιείτε ποτέ διαβρωτικά απορρυπαντικά.

*Διατίθεται μόνο σε επιλεγμένα μοντέλα. Ανατρέξτε στον ΣΥΝΤΟΜΟ ΟΔΗΓΟ ΕΝΑΡΞΗΣ αν αυτή η λειτουργία είναι διαθέσιμη στο μοντέλο σας.



8. ΟΔΗΓΟΣ ΑΝΤΙΜΕΤΩΠΙΣΗΣ ΠΡΟΒΛΗΜΑΤΩΝ


8.1. ΠΡΙΝ ΕΠΙΚΟΙΝΩΝΗΣΕΤΕ ΜΕ ΤΟ ΚΕΝΤΡΟ ΕΞΥΠΗΡΕΤΗΣΗΣ ΠΕΛΑΤΩΝ...




Τα προβλήματα απόδοσης συχνά προκύπτουν από απλά πράγματα τα οποία μπορείτε να βρείτε και να επιλύσετε μόνοι σας χωρίς κανένα εργαλείο.

ΠΡΟΒΛΗΜΑ	ΛΥΣΗ
Η συσκευή δεν λειτουργεί:	<ul style="list-style-type: none"> Είναι το ηλεκτρικό καλώδιο συνδεδεμένο σε ηλεκτροφόρα πρίζα με τη σωστή τάση; Έχετε ελέγξει τις διατάξεις ασφαλείας και τις ηλεκτρικές ασφάλειες του σπιτιού σας;
Εάν υπάρχει νερό στη λεκάνη νερού απόψυξης:	<ul style="list-style-type: none"> Αυτό είναι φυσιολογικό όταν ο καιρός είναι ζεστός και υγρός. Μπορεί ακόμα η λεκάνη να είναι μισογεμάτη. Βεβαιωθείτε ότι η συσκευή είναι σε οριζόντια θέση ώστε να μην ξεχειλίζει το νερό.
Εάν οι άκρες της συσκευής που έρχονται σε επαφή με το λάστιχο της πόρτας είναι ζεστές στην αφή:	<ul style="list-style-type: none"> Αυτό είναι φυσιολογικό όταν ο καιρός είναι ζεστός και όταν λειτουργεί ο συμπιεστής.
Αν το φως δεν λειτουργεί:	<ul style="list-style-type: none"> Έχετε ελέγξει τις διατάξεις ασφαλείας και τις ηλεκτρικές ασφάλειες του σπιτιού σας; Είναι το ηλεκτρικό καλώδιο συνδεδεμένο σε ηλεκτροφόρα πρίζα με τη σωστή τάση; Σε περίπτωση που έχουν χαλάσει οι λυχνίες LED, ο χρήστης πρέπει να καλέσει το κέντρο εξυπηρέτησης πελατών για αντικατάσταση με τον ίδιο τύπο που διατίθεται μόνο από το κέντρο εξυπηρέτησης πελατών ή εξουσιοδοτημένους αντιπροσώπους.
Αν το μοτέρ φαίνεται να υπερλειτουργεί:	<ul style="list-style-type: none"> Ο χρόνος λειτουργίας του μοτέρ εξαρτάται από ποικίλους παράγοντες: τη συχνότητα ανοίγματος της πόρτας, την ποσότητα των αποθηκευμένων τροφίμων, τη θερμοκρασία του δωματίου, τη ρύθμιση των κουμπιών θερμοκρασίας. Είναι ο συμπυκνωτής (πίσω πλευρά της συσκευής) καθαρός από σκόνη και χνουδία; Έχει κλείσει καλά η πόρτα; Είναι σωστά τοποθετημένα τα λάστιχα των πορτών; Στις θερμές μέρες ή όταν το δωμάτιο ζεστό, είναι φυσιολογικό το μοτέρ να λειτουργεί για μεγαλύτερο χρονικό διάστημα. Αν η πόρτα της συσκευής έχει μείνει ανοιχτή για κάποιο διάστημα ή έχουν τοποθετηθεί μεγάλες ποσότητες τροφίμων, το μοτέρ παραμένει σε λειτουργία περισσότερη ώρα για να ψύξει το εσωτερικό της συσκευής.
Εάν η θερμοκρασία του ψυγείου είναι πολύ υψηλή:	<ul style="list-style-type: none"> Έχουν ρυθμιστεί σωστά τα χειριστήρια της συσκευής; Προστέθηκε μεγάλη ποσότητα τροφίμων στη συσκευή; Βεβαιωθείτε ότι η πόρτα δεν ανοίγει πάρα πολύ συχνά. Βεβαιωθείτε ότι η πόρτα κλείνει καλά.
Εάν οι πόρτες δεν ανοίγουν και κλείνουν καλά:	<ul style="list-style-type: none"> Βεβαιωθείτε ότι οι συσκευασίες των τροφίμων δεν εμποδίζουν την πόρτα. Βεβαιωθείτε ότι τα εσωτερικά εξαρτήματα και η αυτόματη παγομηχανή δεν έχουν φύγει από τη θέση τους. Βεβαιωθείτε ότι τα λάστιχα της πόρτας δεν είναι βρόμκα ή κολλάνε. Βεβαιωθείτε ότι η συσκευή βρίσκεται σε οριζόντια θέση.

8.2. ΒΛΑΒΕΣ

Σε περίπτωση συναγερμών λειτουργίας θα υπάρχει επίσης και οπτική ένδειξη στην οθόνη (π.χ. Failure 1, Failure 2 κ.λπ.). Καλέστε το κέντρο εξυπηρέτησης πελατών και προσδιορίστε τον κωδικό του συναγερμού.

Οι ηχητικοί συναγερμοί ηχούν, το εικονίδιο συναγερμού  ανάβει και το γράμμα F στην ψηφιακή οθόνη αναβοσβήνει σύμφωνα με τον κωδικό σφάλματος που περιγράφεται παρακάτω:

Κωδικός βλάβης	Οπτική ένδειξη
Σφάλμα 2	Το γράμμα F αναβοσβήνει ανά 0,5 δευτ. Ανάβει 2 φορές και παραμένει σβηστό για 5 δευτερόλεπτα. Η ακολουθία επαναλαμβάνεται.  x2
Σφάλμα 3	Το γράμμα F αναβοσβήνει ανά 0,5 δευτ. Ανάβει 3 φορές και παραμένει σβηστό για 5 δευτερόλεπτα. Η ακολουθία επαναλαμβάνεται.  x3
Σφάλμα 6	Το γράμμα F αναβοσβήνει ανά 0,5 δευτ. Ανάβει 6 φορές και παραμένει σβηστό για 5 δευτερόλεπτα. Η ακολουθία επαναλαμβάνεται.  x6

* Διατίθεται μόνο σε επιλεγμένα μοντέλα. Ανατρέξτε στον ΣΥΝΤΟΜΟ ΟΔΗΓΟ ΕΝΑΡΞΗΣ αν αυτή η λειτουργία είναι διαθέσιμη στο μοντέλο σας.

9. ΚΕΝΤΡΟ ΕΞΥΠΗΡΕΤΗΣΗΣ ΠΕΛΑΤΩΝ

Πριν επικοινωνήσετε με το κέντρο εξυπηρέτησης πελατών:

Ενεργοποιήστε ξανά τη συσκευή για να ελέγξετε αν το πρόβλημα έχει λυθεί. Αν δεν έχει λυθεί το πρόβλημα, αποσυνδέστε ξανά τη συσκευή από την παροχή ρεύματος και περιμένετε μία ώρα πριν την ενεργοποιήσετε πάλι.

Αφού πραγματοποιήσετε τους ελέγχους που περιγράφονται στον "Όδηγό αντιμετώπισης βλαβών" και ενεργοποιήσετε ξανά τη συσκευή, εάν η συσκευή σας εξακολουθεί να μην λειτουργεί σωστά, επικοινωνήστε με το κέντρο εξυπηρέτησης πελατών και περιγράψτε το πρόβλημα.

Δώστε τα εξής στοιχεία:

- Το μοντέλο και το σειριακό αριθμό της συσκευής (αναφέρονται στην ετικέτα τεχνικών χαρακτηριστικών)
- Το είδος του προβλήματος

SERVICE 0000 000 00000



- Τον αριθμό Σέρβις (ο αριθμός μετά τη λέξη SERVICE στην ετικέτα τεχνικών χαρακτηριστικών που βρίσκεται στο εσωτερικό της συσκευής)
- Την πλήρη διεύθυνσή σας
- Το τηλέφωνό σας με τον κωδικό περιοχής.

Σημείωση:

Η κατεύθυνση ανοίγματος της πόρτας μπορεί να αλλάξει. Αν η διαδικασία αυτή γίνει μέσω του κέντρου εξυπηρέτησης πελατών, δεν καλύπτεται από την εγγύηση.

SPIS TREŚCI

Rozdział 1: INSTALACJA	58
1.1. INSTALOWANIE JEDNEGO URZĄDZENIA	58
1.2. INSTALOWANIE DWÓCH URZĄDZEŃ	58
1.3. REGULOWANE DRZWI (JEŚLI DOSTĘPNE).....	58
Rozdział 2: FUNKCJE	59
2.1. PRZYCISK WŁ./TRYB CZUWANIA.....	59
2.2. INTELIGENTNY WYŚWIETLACZ*.....	59
2.3. 6TH SENSE FRESH CONTROL / PROFRESH.....	59
2.4. ALARMU OTWARTYCH DRZWI.....	59
2.5. TRYB WAKACYJNY.....	59
2.6. SZYBKE CHŁODZENIE.....	59
2.7. SZUFLADA ZEROWEJ TEMPERATURY*	60
2.8. WENTYLATOR.....	60
2.9. USTAWIANIA TEMPERATURY.....	60
2.10. KOMORA CHŁODZIARKI Z FUNKCJĄ NO-FROST	60
2.11. OŚWIETLENIE LED*	61
2.12. POJEMNIK O KONTROLOWANEJ WILGOTNOŚCI*	61
Rozdział 3: EKSPLOATACJA	61
3.1. JAK ZWIĘKSZYĆ POJEMNOŚĆ CHŁODZIARKI.....	61
3.2. UWAGI.....	61
Rozdział 4: WSKAZÓWKI DOTYCZĄCE PRZECHOWYWANIA ŻYWNOSCI	61
4.1. WENTYLACJA POWIETRZA.....	61
4.2. PRZECHOWYWANIE ŚWIEŻEJ ŻYWNOSCI I NAPOJÓW	61
4.3. MIEJSCE PRZECHOWYWANIA ŚWIEŻEJ ŻYWNOSCI I NAPOJÓW	62
Rozdział 5: NORMALNE ODGŁOSY PRACY URZĄDZENIA	62
Rozdział 6: ZALECENIA W PRZYPADKU AWARII URZĄDZENIA	63
6.1. NIEOBECNOŚĆ/WAKACJE	63
6.2. PRZENOSZENIE.....	63
6.3. AWARIA ZASILANIA	63
Rozdział 7: CZYSZCZENIE I KONSERWACJA	63
Rozdział 8: INSTRUKCJA ROZWIĄZYWANIA PROBLEMÓW	64
8.1. PRZED SKONTAKTOWANIEM SIĘ Z SERWISEM TECHNICZNYM... ..	64
8.2. USTERKI.....	64
Rozdział 9: SERWIS TECHNICZNY	65
Inne:	
ZMIANA MOCOWANIA DRZWI (WERSJA 1).....	75
ZMIANA MOCOWANIA DRZWI (WERSJA 2).....	77

UWAGA:

Instrukcja dotyczy kilku modeli, które mogą się między sobą różnić. Rozdziały odnoszące się do niektórych urządzeń są oznaczone gwiazdką (*).
Funkcje dedykowane szczególnie do zakupionego modelu znajdują się w rozdziale zatytułowanym INSTRUKCJA SZYBKIEGO URUCHOMIENIA.

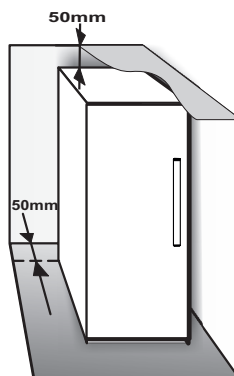
1. INSTALACJA

1.1. INSTALOWANIE JEDNEGO URZĄDZENIA

Aby zapewnić odpowiednią wentylację, należy pozostawić trochę miejsca nad i po obu stronach urządzenia.

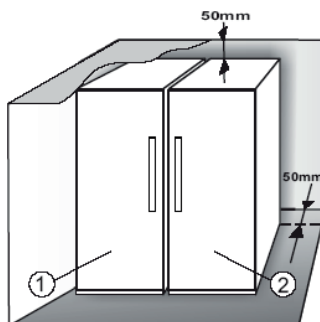
Odległość pomiędzy tylną częścią urządzenia, a ścianą znajdującą się za nim musi wynosić co najmniej 50 mm.

Zmniejszenie tej odległości spowoduje zwiększenie zużycia energii przez produkt.

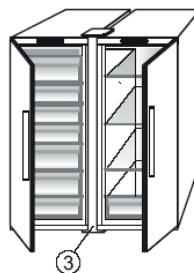


1.2. INSTALOWANIE DWÓCH URZĄDZEŃ

Podczas instalacji zamrażarki ① i lodówki ② jednocześnie, umieścić zamrażarkę z lewej strony, a lodówkę z prawej (jak na rysunku). Z lewej strony lodówki znajduje się specjalne urządzenie zapobiegające zjawisku kondensacji pomiędzy urządzeniami.



Zaleca się instalację obu urządzeń przy wykorzystaniu zestawu do montażu łącznego ③ (jak na rysunku). Zestaw dostępny jest w Serwisie.

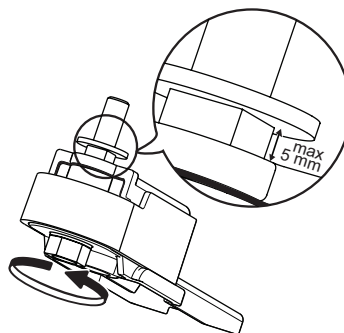


1.3. REGULOWANE DRZWI (JEŚLI DOSTĘPNE)

Aby wyważyć drzwi należy użyć dolnego zawiasu (wybrane modele)

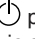

Jeżeli drzwi chłodziarki znajdują się poniżej poziomu zamrażarki, należy podnieść drzwi chłodziarki obracając śrubę regulującą w kierunku przeciwnym do ruchu wskazówek zegara za pomocą klucza w rozmiarze M10.

Jeżeli drzwi chłodziarki znajdują się powyżej poziomu chłodziarki, należy podnieść drzwi zamrażarki obracając śrubę regulującą w kierunku przeciwnym do ruchu wskazówek zegara za pomocą klucza w rozmiarze M10.





2. FUNKCJE

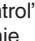

2.1. PRZYCISK WŁ./TRYB CZUWANIA

Ta funkcja umożliwia włączenie lub przełączenie chłodziarki: Wł./Tryb czuwania. Aby włączyć tryb czuwania urządzenia, należy nacisnąć i przytrzymać przez 3 sekundy  przycisk Wł./Tryb czuwania. Gdy urządzenie znajduje się w trybie czuwania, nie działa oświetlenie w komorze chłodziarki. Należy pamiętać, że ta czynność nie powoduje odłączenia urządzenia od zasilania elektrycznego. Aby włączyć urządzenie, ponownie naciśnij przycisk Wł./Tryb czuwania .

2.2. INTELIGENTNY WYŚWIETLACZ*

Ta opcjonalna funkcja pozwala oszczędzać energię. Aby włączyć/wyłączyć tę funkcję, należy postępować zgodnie z instrukcjami w Skróconej instrukcji obsługi. Dwie sekundy od włączenia funkcji inteligentnego wyświetlacza następuje jego wygaszenie. Aby dokonać regulacji temperatury lub skorzystać z innych funkcji, należy włączyć wyświetlacz. W tym celu nacisnąć dowolny przycisk.

Po aktywacji funkcji inteligentnego wyświetlacza, wyświetlacz wyłącza się, z wyjątkiem kontrolki  „Sense Fresh Control” /  „ProFresh”. Jeśli Inteligentny wyświetlacz jest aktywny — aby dokonać regulacji temperatury lub skorzystać z innych funkcji, należy włączyć wyświetlacz. W tym celu nacisnąć dowolny przycisk.

Po około 15 sekundach bez wykonywania żadnych czynności wyświetlacz zgaśnie ponownie. Widoczna pozostanie tylko kontrolka  „Sense Fresh Control” /  „ProFresh”. Po wyłączeniu tej funkcji zostanie przywrócony normalny wygląd wyświetlacza. Funkcja inteligentnego wyświetlacza jest automatycznie wyłączana w przypadku awarii zasilania. Należy pamiętać, że ta funkcja nie powoduje odłączenia urządzenia od zasilania, ale jedynie zmniejszenie poboru mocy przez wyświetlacz zewnętrzny.

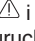
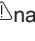
Uwaga: Deklarowane zużycie energii urządzenia dotyczy pracy z włączoną funkcją Inteligentnego wyświetlacza.

2.3. 6TH SENSE FRESH CONTROL /

PROFRESH

Funkcja ta umożliwia szybkie uzyskanie optymalnych warunków (temperatury i wilgotności) przechowywania żywności wewnątrz urządzenia. Aby funkcja działała prawidłowo, wentylator musi być włączony. Funkcja „6th Sense Fresh Control” / „ProFresh” jest ustawiona domyślnie jako aktywna. Aby włączyć lub wyłączyć tę funkcję – patrz załączona Skrócona instrukcja obsługi. Po przerwie w zasilaniu lub wyjściu z trybu czuwania do trybu normalnego stan funkcji „6th Sense Fresh Control” / „ProFresh” jest resetowany do wartości domyślnej tj. aktywna.

2.4. ALARMU OTWARTYCH DRZWI

Miga ikona alarmu  i emitowany jest sygnał dźwiękowy. Alarm uruchamia się, gdy drzwi pozostają otwarte przez ponad 2 minuty. Aby wyłączyć alarm otwarcia drzwi, należy zamknąć drzwi. Aby wyciszyć alarm dźwiękowy,  nacisnąć przycisk Wyłączenia alarmu.

2.5. TRYB WAKACYJNY

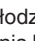
Tę funkcję można włączyć, aby zmniejszyć zużycie energii przez urządzenie przez czas nieobecności. Przed włączeniem tej funkcji należy wyjąć z komory chłodziarki żywność łatwo psującą się i upewnić się, że drzwi urządzenia są dobrze zamknięte, ponieważ chłodziarka będzie utrzymywać odpowiednią temperaturę, aby uniemożliwić tworzenie się nieprzyjemnych zapachów (+12°C). Aby włączyć/ wyłączyć, naciśnij przycisk trybu Wakacje i przytrzymaj przez 3 sekundy. Gdy funkcja jest włączona, odpowiedni symbol świeci na wyświetlaczu, a temperatura komory chłodziarki jest wyższa (na wyświetlaczu widoczna jest nowa temperatura +12°C). Zmiana temperatury powoduje automatyczne wyłączenie tej funkcji.

Uwaga:

- **Niezgodność z funkcją „Szybkie chłodzenie”**
Aby zagwarantować optymalną wydajność, nie należy korzystać jednocześnie z funkcji „Wakacje” i „Szybkie chłodzenie”. Z tego względu, jeśli jest już włączona funkcja „Szybkie chłodzenie”, należy ją wyłączyć przed włączeniem funkcji „Wakacje” (i na odwrót).

2.6. SZYBKIE CHŁODZENIE

Użycie tej funkcji jest zalecane, gdy do komory zamrażarki zostanie włożona bardzo duża ilość żywności.

Za pomocą funkcji Szybkie chłodzenie  można zwiększyć wydajność chłodzenia komory chłodziarki. W celu maksymalizacji wydajności chłodzenia należy włączyć wentylator.

Uwaga:

- **Niezgodność z funkcją „Wakacje”**
Aby zagwarantować optymalną wydajność, nie należy korzystać jednocześnie z funkcji „Wakacyjny” i „Szybkie chłodzenie”. Dlatego też, jeśli jest już włączona funkcja „Tryb wakacyjny”, należy ją wyłączyć przed włączeniem funkcji „Szybkie chłodzenie” (i na odwrót).

* Dostępna w wybranych modelach. Sprawdzić w INSTRUKCJI SZYBKIEGO URUCHAMIANIA, czy funkcja jest dostępna w danym modelu.

2.7. SZUFLADA ZEROWEJ TEMPERATURY*

Szuflada zerowej temperatury służy do utrzymania niskiej temperatury i prawidłowego poziomu wilgoci w celu zachowania świeżości żywności przez dłuższy czas (na przykład mięsa, ryb, owoców i zimowych warzyw).

Włączanie i wyłączenie komory



Temperatura wewnątrz pojemnika, gdy jest on aktywny, wynosi około 0°. Poniższe czynniki mają istotny wpływ na poprawność działania komory „Zero stopni”:

- chłodziarka musi być włączona
- w chłodziance musi panować temperatura od +2°C do +5°C
- szuflada komory musi być wsunięta, co powoduje jej aktywację
- nie mogą być wybrane funkcje specjalne (czuwania, wakacje – o ile występują).

Jeśli jedna z tych funkcji specjalnych jest wybrana, komorę „Zero stopni” należy wyłączyć ręcznie i wyciągnąć z niej świeżą żywność. Jeśli wyłączenie ręczne nie następuje, komora zostanie wyłączona automatycznie po 8 godzinach.

Uwaga:

- jeśli po włączeniu komory nie zostanie podświetlony symbol, sprawdzić, czy szuflada komory została włożona prawidłowo; Jeśli problem nie zniknie, skontaktować się z serwisem.
- jeśli funkcja jest włączona, a szuflada jest otwarta, symbol na panelu sterowania może się automatycznie wyłączyć. Jeśli szuflada komory zostanie włożona, symbol zaświeci się ponownie.
- niezależnie od stanu funkcji może być słyszalny nieznaczny szum; jest to zjawisko normalne i nie stanowi powodu do niepokoju.
- gdy funkcja jest wyłączona, temperatura wewnątrz szuflady zależy od ogólnej temperatury komory chłodziarki.

W tym przypadku zaleca się przechowywać w niej owoce i warzywa, które nie są wrażliwe na niską temperaturę (jagody, jabłka, brzoskwinie, marchew, szpinak, sałata itd.).

Ważne: W przypadku włączenia funkcji i przechowywania w komorze produktów o dużej zawartości wody na półkach mogą się gromadzić skropliny. Należy wówczas tymczasowo wyłączyć funkcję.

2.8. WENTYLATOR

Wentylator poprawia rozkład temperatur w urządzeniu, co pozwala lepiej chronić przechowywaną żywność. Domyślnie wentylator jest włączony. Zaleca się włączenie wentylatora, aby zapewnić prawidłowe działanie funkcji 6th Sense Fresh Control / ProFresh, a także gdy temperatura otoczenia przekracza 27 ÷ 28 °C lub gdy panuje znaczna wilgotność. W przeciwnym razie na szklanych półkach będą się gromadzić krople wody. Należy pamiętać, że włączony wentylator nie pracuje bez przerwy. Wentylator rozpoczyna/kończy pracę w zależności od temperatury oraz/lub poziomu wilgotności wewnątrz urządzenia. W związku z tym jest rzeczą całkowicie normalną, że wentylator może się nie obracać, nawet jeśli zostanie włączony.

Aby włączyć lub wyłączyć tę funkcję, należy zapoznać się z treścią Instrukcje szybkiego uruchamiania.

Uwaga: Wyłączenie wentylatora powoduje wyłączenie funkcji 6th Sense Fresh Control / ProFresh.

Uwaga:

Nie blokować strumienia powietrza produktami żywnościowymi.

Aby zapewnić odpowiednią wydajność urządzenia w niższych temperaturach (poniżej 18°C) oraz zminimalizować zużycie energii, należy wyłączyć wentylator.

Aby wyłączyć wentylator, zobacz procedurę wyżej. Jeżeli urządzenie jest wyposażone w wentylator, może także posiadać **filtr antybakteryjny**.

Wyjąć filtr z komory umieszczonej w pojemniku / szufladzie i umieścić w pokrywie wentylatora.

Procedura wymiany jest opisana na opakowaniu filtra.

2.9. USTAWIANIA TEMPERATURY

Urządzenie jest ustawione fabrycznie do pracy z zalecaną temperaturą wynoszącą 5°C. Temperaturę wewnątrz urządzenia można regulować w zakresie od 8°C do 2°C, w następujący sposób:

- Nacisnąć przycisk ustawiania temperatury (°C). Temperaturę przechowywania można zmieniać o -1 °C każdym naciśnięciem przycisku; wartość zmienia się cyklicznie w zakresie od 8 °C do 2 °C.

Uwaga: Wyświetlone punkty odpowiadają średniej temperaturze w całej chłodziance

2.10. KOMORA CHŁODZIARKI Z FUNKCJĄ NO-FROST

System samooszczędzania działa w pełni automatycznie.

Krople wody gromadzące się na tylnej ścianie wewnątrz komory chłodziarki oznaczają, że uruchomiła się funkcja samooszczędzania. Woda po zakończeniu procesu jest automatycznie odprowadzona do otworu spustowego i gromadzona w pojemniku, z którego zostaje odprowadzona.

* Dostępna w wybranych modelach. Sprawdzić w INSTRUKCJI SZYBKIEGO URUCHAMIANIA, czy funkcja jest dostępna w danym modelu.

2.11. OŚWIETLENIE LED*

W systemie oświetlenia wewnątrz chłodziarki zastosowano diody LED, które zapewniają lepsze oświetlenie i bardzo niskie zużycie energii. Jeśli oświetlenie LED nie działa, w celu jego wymiany należy skontaktować się z serwisem.

Ważne:

Oświetlenie wewnątrz komory chłodziarki jest włączane po otwarciu drzwi chłodziarki. Jeśli drzwi pozostają otwarte przez ponad 10 minut, oświetlenie jest automatycznie wyłączane.

3. EKSPLOATACJA

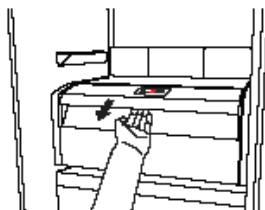
3.1. JAK ZWIĘKSZYĆ POJEMNOŚĆ CHŁODZIARKI

Ilość miejsca na produkty można zwiększyć usuwając „SZUFLADĘ ZEROWEJ TEMPERATURY”*

W tym celu należy postępować następująco:

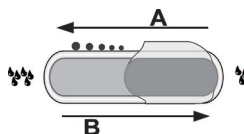
- wyciągnąć pojemnik
- wyciągnąć szufladę i białą plastikową półkę pod pojemnikiem.

Uwaga: górnej półki i podpórki bocznej nie można wyciągnąć. Aby przywrócić działanie funkcji „Szuflady zerowej temperatury”, należy pamiętać o włożeniu białej plastikowej półki pod pojemnikiem przed wsunięciem szuflady i ponownym włączeniem funkcji. W celu optymalizacji zużycia energii zalecamy wyłączenie funkcji „Szuflada zerowej temperatury” i wyciągnięcie szuflady.



2.12. POJEMNIK O KONTROLOWANEJ WILGOTNOŚCI*

Pojemniki sałatkowe zainstalowane w lodówce zostały zaprojektowane specjalnie z myślą o utrzymywaniu świeżości owoców i warzyw. Otworzyć regulator wilgotności (pozycja B), aby przechowywać żywność (np. owoce) w mniej wilgotnych warunkach lub zamknąć go (pozycja A), aby zapewnić bardziej wilgotne warunki (np. warzywom).



3.2. UWAGI

- Nie blokować strefy wylotu powietrza (na tylnej ścianie wewnątrz urządzenia) produktami spożywczymi.
- Jeśli zamrażarka jest wyposażona w kłapkę, pojemność przechowywania można zwiększyć poprzez wyjęcie kłapki.
- Wszystkie półki, kłapki oraz wysuwane pojemniki można wyjmować.
- Temperatury wewnątrz urządzenia zależą od temperatury otoczenia, częstotliwości otwierania drzwiczek oraz miejsca, w którym stoi urządzenie. Czynniki te należy uwzględnić podczas ustawiania temperatury.
- O ile nie podano innych informacji, wszystkie akcesoria urządzenia nie mogą być myte w zmywarkach.
- Należy używać funkcji Inteligentnego wyświetlacza możliwie najczęściej.

4. WSKAZÓWKI DOTYCZĄCE PRZECHOWYWANIA ŻYWNOŚCI

Chłodziarka to idealne miejsce do przechowywania gotowych posiłków, świeżych i konserwowanych produktów spożywczych, wyrobów mlecznych, owoców, warzyw oraz napojów.

4.1. WENTYLACJA POWIETRZA

- Naturalny obieg powietrza w komorze chłodziarki powoduje, że we wnętrzu urządzenia, w zależności od miejsca, panują różne temperatury. Najchłodniejsze miejsce znajduje się bezpośrednio nad pojemnikiem na owoce i warzywa oraz przy tylnej ścianie komory. Najcieplej jest w górnej, przedniej części komory.
- Niewłaściwy poziom nawiewu przyczynia się do wzrostu zużycia energii oraz obniżenia skuteczności chłodzenia.

4.2. PRZECHOWYWANIE ŚWIEŻEJ ŻYWNOŚCI I NAPOJÓW

- Używać pojemników wielokrotnego użytku – plastikowych, metalowych, aluminiowych i szklanych lub folii samoprzylegającej.

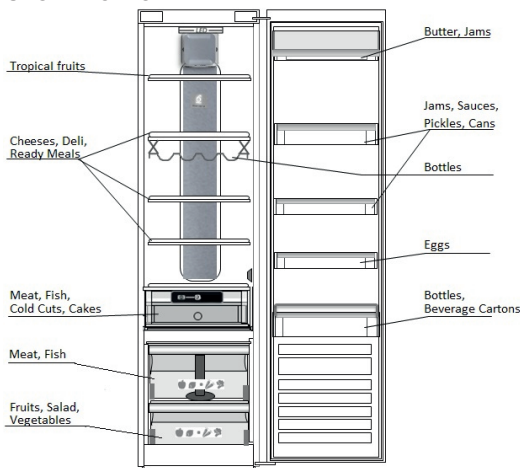
- Żywność i napoje, które mogą wydzielać lub przyjmować zapachy, należy zawsze przechowywać w zamkniętych pojemnikach lub pod przykryciem.
- Produkty żywnościowe wydzielające duże ilości gazu etylenowego i produkty wrażliwe na ten gaz, takie jak owoce, warzywa, w tym sałaty, należy zawsze umieszczać lub opakowywać osobno, aby zapobiec skracaniu ich terminu przydatności do spożycia; na przykład nie przechowywać pomidorów razem z owocami kiwi lub kapustą.
- Aby zapewnić dostateczną cyrkulację powietrza, nie należy przechowywać artykułów spożywczych zbyt blisko siebie.
- Aby zapobiec przewracaniu się butelek, można umieścić je w specjalnym uchwycie (występuje w wybranych modelach).
- Gdy w chłodziarce przechowywana jest niewielka ilość żywności, zalecamy skorzystanie z półek nad pojemnikiem na owoce i warzywa, ponieważ jest to najzimniejszy obszar w komorze.

* Dostępna w wybranych modelach. Sprawdzić w INSTRUKCJI SZYBKIEGO URUCHAMIANIA, czy funkcja jest dostępna w danym modelu.

4.3. MIEJSCE PRZECHOWYWANIA ŚWIEŻEJ ŻYWNOSCI I NAPOJÓW

- Na półkach chłodziarki: gotowe produkty, owoce tropikalne, sery, i inne.
- W najzimniejszym obszarze – szufladzie zerowej temperatury* (znajdującej się powyżej komory chłodzącej): mięso, ryby, wędliny, ciasta
- W pojemniku na owoce i warzywa: owoce, sałatki, warzywa.
- Na drzwiach: masło, dżemy, sosy, konserwy, puszki, butelki, kartony z napojami, jaja

PRZYKŁADOWE ROZMIESZCZENIE PRODUKTÓW SPOŻYWCZYCH



5. NORMALNE ODGŁOSY PRACY URZĄDZENIA

Urządzenie wydaje dźwięki, ponieważ wyposażone jest w kilka wentylatorów oraz napędów regulujących jego działania, które włączają i wyłączają się automatycznie.

- Sprawdzenie, czy elementy wewnątrz są odpowiednio rozmieszczone.
- Sprawdzenie, czy butelki i pojemniki nie stykają się ze sobą.

Niektóre odgłosy pracy można jednak zredukować w następujących sposób

- Wypoziomowanie urządzenia i zainstalowanie go na równej powierzchni.
- Oddzielenie i unikanie kontaktu urządzenia z meblami.

Wybrane odgłosy pracy urządzenia:

Syczenie po włączeniu urządzenia po raz pierwszy lub po dłuższej przerwie.



Bulgotanie, gdy ciecz chłodząca przechodzi do przewodów rurowych.



Odgłos BRRR wydawany przez pracującą sprężarkę chłodziarki.



Brzęczenie, gdy zaczyna pracować zawór wody lub wentylator.



Trzaskanie, gdy zaczyna działać sprężarka lub spada lód do pojemnika. Klikanie w momencie włączania i wyłączania sprężarki.



Odgłos KLIKNIĘCIA wydawany przez termostat, który włącza się za każdym uruchomieniem sprężarki.



* Dostępna w wybranych modelach. Sprawdzić w INSTRUKCJI SZYBKIEGO URUCHAMIANIA, czy funkcja jest dostępna w danym modelu.

6. ZALECENIA W PRZYPADKU AWARII URZĄDZENIA

6.1. NIEOBECNOŚĆ/WAKACJE

W przypadku wyjazdu na wakacje, zaleca się usunięcie żywności z lodówki oraz wyłączenie urządzenia, w celu oszczędności energii.

6.2. PRZENOSZENIE

1. Wyjąć wszystkie wewnętrzne elementy.
2. Owinąć je starannie i przymocować do siebie za pomocą taśmy samoprzylepnej, aby nie obijały się o siebie lub nie zagubiły.
3. Przykręcić regulowane nóżki, aby nie dotykały powierzchni podpory.
4. Zamknąć i przymocować drzwi i kable zasilania urządzenia taśmą samoprzylepną.

6.3. AWARIA ZASILANIA

W przypadku awarii zasilania, należy skontaktować się z zakładem energetycznym i ustalić przewidywany czas przerwy w dostawie energii.

Uwaga: Warto pamiętać, że zapelniona lodówka utrzymuje niską temperaturę dłużej niż częściowo pusta.

Jeżeli produkt jest niezbyt świeży, lepiej go wyrzucić.

W przypadku braku energii przez okres do 24 godz.

1. Nie otwierać drzwi urządzenia. Pozwoli to utrzymać temperaturę produktów możliwie jak najdłużej.

W przypadku braku energii przez okres dłuższy niż 24 godz.

1. Postarać się wykorzystać produkty krótkotrwałe.

7. CZYSZCZENIE I KONSERWACJA

Przed przystąpieniem do czyszczenia lub czynności konserwacyjnych odłączyć urządzenie od zasilania lub wyłączyć dopływ energii elektrycznej.

Okresowo myć urządzenie używając miękkiej szmatki i roztworu ciepłej wody oraz neutralnego detergentu przystosowanego do czyszczenia wnętrza chłodziarek. Nie stosować substancji ściernych. Nie czyścić elementów urządzenia środkami łatwopalnymi. Opary mogą zagrażać pożarem lub wybuchem. Oczyszczyć obudowę urządzenia oraz uszczelnienie drzwi wilgotną szmatką i osuszyć miękką szmatką.

Nie stosować parowych urządzeń do czyszczenia.

Skrapłacz znajdujący się z tyłu urządzenia należy regularnie czyścić za pomocą odkurzacza.

Skrapłacz znajdujący się z tyłu urządzenia należy regularnie czyścić za pomocą odkurzacza.

Ważne:

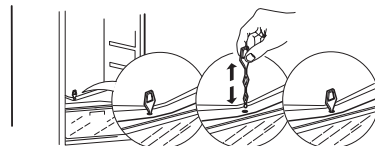
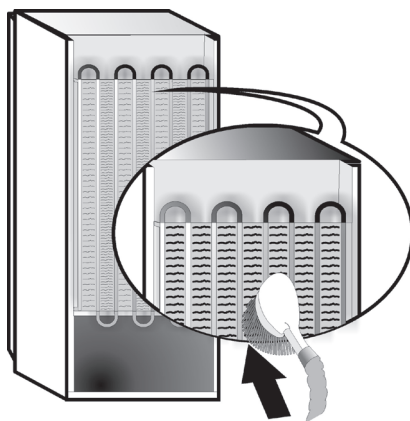
- Nie używać alkoholu lub środków na bazie alkoholu do czyszczenia przycisków oraz kontroli panelu sterowania, używać suchej szmatki w tym celu.
- Przewody układu chłodzenia znajdują się obok panelu odmrażania i mogą nagrzewać się. Czyścić okresowo odkuraczem.

Aby zapewnić stały i odpowiedni odpływ wody z fazy odszraniania, należy regularnie czyścić wlot otworu odpływu znajdującego się na tylnej ścianie chłodziarki w pobliżu pojemnika na owoce i warzywa używając narzędzia stanowiącego wyposażenie urządzenia.

Przed czyszczeniem „Szufłady zerowej temperatury” (włącznie z częścią zewnętrzną), należy ją wyciągnąć, aby odłączyć pojemnik od zasilania elektrycznego.

Regularnie czyścić pojemnik i jego części przy użyciu szmatki zwilżonej roztworem letniej wody i neutralnego detergentu przeznaczonego do czyszczenia wnętrza chłodziarek (uważać, by nie zalać wodą białą, plastikowej półki pod pojemnikiem).

Nigdy nie należy używać ściernych detergentów.



* Dostępna w wybranych modelach. Sprawdź w INSTRUKCJI SZYBKIEGO URUCHAMIANIA, czy funkcja jest dostępna w danym modelu.


8. INSTRUKCJA ROZWIĄZYWANIA PROBLEMÓW




8.1. PRZED SKONTAKTOWANIEM SIĘ Z SERWISEM TECHNICZNYM...

Problemy z działaniem urządzenia są często wynikiem drobnych problemów, które można zidentyfikować i usunąć samodzielnie bez konieczności stosowania żadnych narzędzi.

PROBLEM	ROZWIĄZANIE
Urządzenie nie działa:	<ul style="list-style-type: none"> • Czy urządzenie zostało podłączone do gniazda zasilania z odpowiednim napięciem? • Czy sprawdzone zostały zabezpieczenia oraz bezpieczniki układu zasilania w domu?
W przypadku nagromadzenia się wody na panelu odszraniania:	<ul style="list-style-type: none"> • Zjawisko to jest normalne podczas gorącej i wilgotnej pogody. Pojemnik może być nawet wypełniony do połowy. Sprawdź, czy urządzenie jest w ustawieniu poziomym, aby woda nie wylewała się.
Jeżeli krawędzie szafy urządzenia, które stykają się z uszczelnieniem drzwi są ciepłe w dotyku:	<ul style="list-style-type: none"> • Zjawisko to jest normalne podczas upalnej pogody, jeżeli działa sprężarka.
Jeżeli nie pali się światło:	<ul style="list-style-type: none"> • Czy sprawdzone zostały zabezpieczenia oraz bezpieczniki układu zasilania w domu? • Czy urządzenie zostało podłączone do gniazda zasilania z odpowiednim napięciem? • Jeżeli diody LED są uszkodzone, należy wezwać serwis technicznych w celu ich wymiany na kontrolki tego samego typu, które są dostępne wyłącznie w Działach Obsługi Posprzedażnej lub u autoryzowanych dealerów.
Jeżeli silnik uruchamia się zbyt często:	<ul style="list-style-type: none"> • Praca silnika uwarunkowana jest różnymi czynnikami: częstotliwość otwierania drzwi, liczba przechowywanych produktów spożywczych, temperatura otoczenia, ustawienia temperatury urządzenia. • Czy skraplacz (z tyłu urządzenia) nie jest zakurzony lub brudny? • Czy drzwi są zamknięte? • Czy uszczelnienia na drzwiach są odpowiednio zamontowane? • W upalne dni lub w przypadku, gdy pomieszczeniu panuje wysoka temperatura, silnik z reguły pracuje dłużej. • Jeżeli drzwi chłodziarki są otwarte przez dłuższą chwilę lub w przypadku przechowywania większej liczby produktów spożywczych silnik będzie uruchamiać się częściej w celu obniżenia temperatury wewnątrz urządzenia.
Jeżeli temperatura urządzenia jest zbyt wysoka:	<ul style="list-style-type: none"> • Czy parametry kontrolne są odpowiednio ustawione? • Czy w komorze umieszczono dużą liczbę produktów spożywczych? • Sprawdzić, czy drzwi nie są zbyt często otwierane. • Sprawdzić, czy drzwi zamykają się właściwie.
Jeżeli drzwi nie otwierają się i nie zamykają poprawnie:	<ul style="list-style-type: none"> • Sprawdzić, czy opakowania produktów spożywczych nie blokują drzwi. • Sprawdzić, czy wewnętrzne części lub kostkarka do lodu znajdują się w odpowiednim położeniu. • Sprawdzić, czy uszczelnienia drzwi nie są zabrudzone lub przywierają. • Sprawdzić, czy urządzenie jest wypoziomowane.

8.2. USTERKI

W przypadku alarmów pracy zostaną wyświetlone odpowiednie komunikaty na wskaźnikach LED (np. Usterka 1, Usterka 2) itp.). W takiej sytuacji należy skontaktować się z serwisem technicznym i podać kod alarmu. Rozlega się sygnał dźwiękowy, wyświetla się ikona alarmu , a na wyświetlaczu cyfrowym miga litera F zgodnie z niżej opisanym kodem usterki:

Kod błędu	Wygląd	
Błąd 2	Litera F miga co 0,5 sekundy. Miga 2 razy, a następnie gaśnie na 5 sekund. Cykl się powtarza.	 x2
Błąd 3	Litera F miga co 0,5 sekundy. Miga 3 razy, a następnie gaśnie na 5 sekund. Cykl się powtarza.	 x3
Błąd 6	Litera F miga co 0,5 sekundy. Miga 6 razy, a następnie gaśnie na 5 sekund. Cykl się powtarza.	 x6

* Dostępna w wybranych modelach. Sprawdzić w INSTRUKCJI SZYBKIEGO URUCHAMIANIA, czy funkcja jest dostępna w danym modelu.

9. SERWIS TECHNICZNY

Przed kontaktem z serwisem technicznym:

Uruchomić ponownie urządzenie i sprawdzić, czy problem nie został rozwiązany. Jeżeli nie, odłączyć urządzenie od źródła zasilania, odczekać około godzinę i ponownie uruchomić chłodziarkę.

Jeżeli po przeprowadzeniu sprawdzeń kontrolnych opisanych w Instrukcji rozwiązywania problemów i ponownym uruchomieniu urządzenia nie działa ono właściwie, skontaktować się z Serwisem technicznym i zgłosić problem.

Podać następujące informacje:

- model i numer seryjny urządzenia (znajdujący się na płytce znamionowej),
- charakter problemu,

SERVICE 0000 000 00000



- Numer serwisu (numer znajdujący się po słowie SERVICE (SERWIS) na płytce umieszczonej wewnątrz urządzenia),
- pełny adres lokalizacji urządzenia,
- numer telefonu z numerem kierunkowym.

Uwaga:

Kierunek otwierania drzwi można zmienić. Jeżeli operację tę wykona Serwis Techniczny, jest to usługa nieobjęta gwarancją.

67	الفصل 1: التركيب
67	1.1. تركيب جهاز مفرد
67	2.1. تركيب جهازين
67	3.1. ضبط الأبواب (إن أمكن)
68	الفصل 2: الوظائف
68	1.2. وضع التشغيل/وضع الاستعداد
68	2.2. العرض الذكي *SMART DISPLAY
68	3.2. وظيفة 6TH SENSE FRESH CONTROL / وظيفة PROFRESH
68	4.2. إنذار فتح الباب
68	5.2. وظيفة العطلات VACATION
68	6.2. وظيفة التبريد السريع FAST COOL
69	7.2. درج درجة الصفر*
69	8.2. المروحة
69	9.2. ضبط درجة الحرارة
69	01.2. حيز التبريد المقاوم لتكون الثلج NO FROST
70	11.2. نظام إضاءة *LED
70	21.2. الدرج المتحكم في الرطوبة*
70	الفصل 3: الاستخدام
70	1.3. كيفية زيادة سعة تخزين الثلجة
70	2.3. ملاحظات
70	الفصل 4: نصائح تخزين الطعام
70	1.4. التهوية
70	2.4. كيفية تخزين الأطعمة والمشروبات الطازجة
71	3.4. مكان تخزين الأطعمة والمشروبات الطازجة
71	الفصل 5: الأصوات الوظيفية
72	الفصل 6: توصيات في حالة عدم استخدام الجهاز
72	1.6. الغياب / العطلات
72	2.6. تغيير السكن
72	3.6. انقطاع التيار الكهربائي
72	الفصل 7: الصيانة والتنظيف
73	الفصل 8: دليل التغلب على الأعطال
73	1.8. قبل الاتصال بخدمة ما بعد البيع
73	2.8. الأعطال
74	الفصل 9: خدمة ما بعد البيع
	نقاط أخرى:
75	عكس تأرجح الباب (الإصدار_1)
77	عكس تأرجح الباب (الإصدار_2)

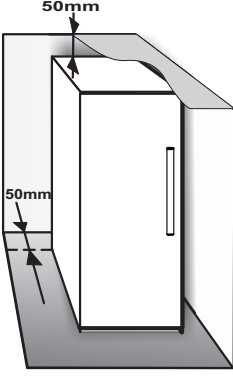
ملحوظة:

تسري التعليمات على عدة موديلات، ولذا فقد تكون هناك بعض الاختلافات. يشار إلى الأجزاء السارية على أجهزة معينة بعلامة النجمة (*).
الوظائف المخصصة لموديل جهازك الذي اشتريته للتو واردة في دليل التشغيل السريع.

1. التركيب

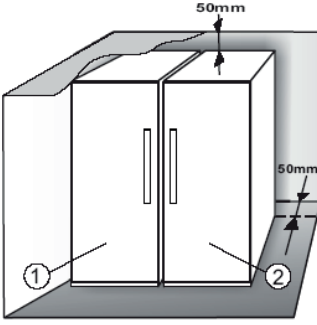
1.1 تركيب جهاز مفرد

لضمان وجود تهوية كافية، اترك مسافة على كلا الجانبين وفوق الجهاز. يجب أن تكون المسافة بين الجانب الخلفي للجهاز والجدار الموجود خلف الجهاز 50 مم على الأقل. وتقليل هذه المسافة يزيد من استهلاك المنتج للطاقة.

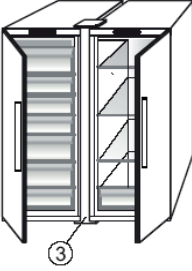


2.1 تركيب جهازين

أثناء تركيب الفريزر ① والثلاجة ②، سويًا، تحقق من وضع الفريزر جهة اليسار والثلاجة جهة اليمين (كما هو مبين في الشكل). فالجانب الأيسر من الثلاجة مزود بجهاز خاص لتجنب مشاكل التكثف بين الأجهزة.



نوصي بتركيب الجهازين سويًا باستخدام طقم التوصيل ③ (كما هو موضح بالشكل). والذي يمكنك شرائه من مركز الخدمة.

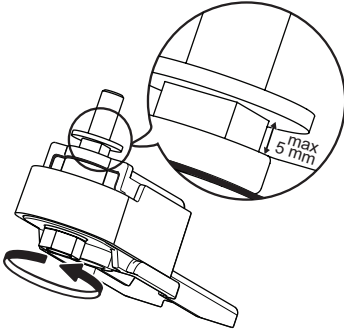


3.1 ضبط الأبواب (إن أمكن)

لضبط استواء الأبواب باستخدام المفصلة السفلية القابلة للضبط (موديلات معينة)



إذا كان باب الثلاجة منخفضًا عن مستوى باب الفريزر، فارفع مستوى باب الثلاجة من خلال إدارة برغي الضبط عكس اتجاه حركة عقارب الساعة باستخدام المفتاح M10.

إذا كان باب الفريزر منخفضًا عن مستوى باب الثلاجة، فارفع مستوى باب الفريزر من خلال إدارة برغي الضبط عكس اتجاه حركة عقارب الساعة باستخدام المفتاح M10.



2. الوظائف

1.1. وضع التشغيل/وضع الاستعداد

4.2. إنذار فتح الباب
تضيء أيقونة الإنذار  بشكل ماض ويصدر إنذار صوتي. يتم تفعيل إنذار إذا تم ترك الباب مفتوحاً لمدة تزيد على 2 دقائق. لإيقاف إنذار الباب أغلق الباب أو اضغط على زر إيقاف الإنذار  للكتم الإنذار الصوتي.

5.2. وظيفة العطلات VACATION

يمكن تنشيط هذه الوظيفة لخفض استهلاك الطاقة التي يستخدمها الجهاز أثناء فترة الغياب.

قبل تنشيط هذه الوظيفة، يجب إزالة جميع الأغذية القابلة للفساد من حجرة الثلاجة، والتأكد أن باب الثلاجة مغلق جيداً، حيث أن الثلاجة سوف تحتفظ بالحرارة المناسبة لمنع تكون روائح كريهة (12+ درجة مئوية).

لتنشيط / إلغاء التنشيط اضغط على زر وضع العطلات Vacation لمدة 3 ثوان. عند تمكين الوظيفة، سوف يضيء الرمز ذي الصلة، وسوف يتم ضبط حرارة حجرة الثلاجة على نقطة إعداد أعلى (شاشة الحرارة سوف تعرض نقطة إعداد جديدة تبلغ 12+ درجة مئوية).


إن تغيير نقطة إعداد الحرارة سوف يؤدي أوتوماتيكياً إلى إلغاء تنشيط الوظيفة.

انتبه:

- غير متوافقة مع وظيفة التبريد السريع "Fast Cool"
لضمان الأداء الأمثل، لا يمكن استخدام وظيفتي العطلات "Vacation" والتبريد السريع "Fast Cool" في نفس الوقت. لذا، إذا تم تشغيل وظيفة التبريد السريع "Fast Cool" بالفعل، فيلزم إيقافها لتفعيل وظيفة العطلات "Vacation" (والعكس صحيح).

6.2. وظيفة التبريد السريع FAST COOL

ننصح باستخدام هذه الوظيفة عند وضع كمية كبيرة من الأغذية في حيز التبريد.

عند استخدام وظيفة التبريد السريع  Fast Cool من الممكن زيادة قدرة التبريد في حجرة الثلاجة. لزيادة قدرة التبريد لأقصى حد ممكن، برجاء ترك المروحة مشغلة.

انتبه:

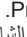
- غير متوافقة مع وظيفة العطلات "Vacation"
لضمان الأداء الأمثل، لا يمكن استخدام وظيفتي العطلات "Vacation" والتبريد السريع "Fast Cool" في نفس الوقت. لذا، إذا تم تشغيل وظيفة العطلات "Vacation" بالفعل، فيلزم إيقافها لتفعيل وظيفة التبريد السريع "Fast Cool" (والعكس صحيح).

هذه الوظيفة تقوم بتشغيل الثلاجة/ضبطها على وضع الاستعداد. لضبط الجهاز على وضع الاستعداد، اضغط على زر التشغيل/الاستعداد واحتفظ به مضغوطاً

لمدة 3 ثوان. عندما يكون الجهاز في وضع الاستعداد، لا تعمل الإضاءة الموجودة داخل حيز التبريد. تذكر أن هذه العملية لا تفصل الجهاز عن مصدر الإمداد بالكهرباء. لتشغيل الجهاز مرة أخرى، اضغط على زر التشغيل/الاستعداد.

2.2. العرض الذكي SMART DISPLAY*

يمكن أن يُستخدم هذا الخيار لتوفير الطاقة. يرجى الالتزام بالتعليمات الواردة في دليل التشغيل السريع لتفعيل/إيقاف فعالية الوظيفة. بعد ثانيتين من تفعيل وظيفة العرض الذكي، تنطفئ وحدة العرض Smart Display. لضبط درجة الحرارة أو استخدام الوظائف الأخرى، يلزم تفعيل وحدة العرض من خلال الضغط على أي زر.

بعد تفعيل وظيفة العرض الذكي، تنطفئ وحدة العرض، ما عدا مابين وظيفة "Sense Fresh Control" /  "ProFresh". إذا كانت وظيفة العرض الذكي Smart Display نشطة، يلزم تفعيل الشاشة من خلال الضغط على أي زر عند الرغبة في ضبط درجة الحرارة أو استخدام الوظائف الأخرى.

وبعد مرور 51 ثانية تقريباً دون القيام بأي إجراء، تنطفئ وحدة العرض مجدداً ولا يبقى سوى مابين وظيفة "Sense Fresh Control" /  "ProFresh" فعلاً. عند إيقاف فاعلية الوظيفة، تعود الشاشة إلى حالتها الاعتيادية. يتم تعطيل الأوتوماتيكي لوظيفة العرض الذكي Smart Display عند انقطاع الكهرباء. تذكر أن هذه الوظيفة لا تؤدي إلى فصل الجهاز عن مصدر الكهرباء، بل إنها تقلل فقط من استهلاك الطاقة بالشاشة الخارجية.

ملاحظة: يشير استهلاك الطاقة المعين للجهاز إلى التشغيل أثناء تفعيل وظيفة العرض الذكي Smart Display.

3.2. وظيفة 6TH SENSE FRESH CONTROL

وظيفة PROFRESH

تقوم هذه الوظيفة بتوفير ظروف التخزين المثالية (المتعلقة بدرجة الحرارة والرطوبة) بأسرع ما يكون داخل الجهاز. يجب أيضاً تشغيل المروحة لتعمل هذه الوظيفة بشكل صحيح. يتم تشغيل وظيفة "6th Sense Fresh Control" / وظيفة "ProFresh" افتراضياً، ولتفعيل أو إيقاف فعالية هذه الوظيفة - انظر دليل التشغيل السريع المرفق.

بعد انقطاع الكهرباء أو الانتقال من وضع الاستعداد إلى وضع التشغيل الاعتيادي، يتم إعادة ضبط وظيفة "6th Sense Fresh Control" / "ProFresh" على الوضع الافتراضي، أي تصبح فعالة.

*متوفر في موديلات معينة فقط. يرجى التحقق من دليل التشغيل السريع لمعرفة ما إذا كانت هذه الوظيفة متوفرة في موديل جهازك.

7.2. درج درجة الصفر*

تم تصميم درج درجة الصفر خصيصا للحفاظ على درجة حرارة منخفضة وضمان مستوى مناسب من الرطوبة لبقاء الأطعمة طازجة لمدة أطول (مثل اللحوم، الأسماك، والخضروات الشتوية).

تفعيل وإيقاف فعالية الدرج



لتفعيل/الإبطال فاعلية الدرج، اضغط على الزر كما هو مبين بالرسم.

عندما يتم تفعيل الدرج سيضيء الرمز.

تكون درجة الحرارة داخل الدرج أثناء تفعيله 0°. احرص على مراعاة العوامل التالية ليتسنى عمل درج "درجة الصفر" بشكل سليم:

- يجب أن يكون حيز التبريد مشغلا
- يجب أن تكون درجة حرارة حيز التبريد بين 2+°م و 5+°م
- يجب إدخال الدرج لإتاحة التفعيل
- يجب ألا يتم اختيار وظائف خاصة (وضع الاستعداد، وظيفة العطلات – إن أمكن).

إذا تم اختيار أحد هذه الوظائف الخاصة، فيجب إيقاف فعالية درج "درجة الصفر" يدويا، وإخراج أية أطعمة طازجة موجودة بداخله. وإذا لم يتم إيقاف التفعيل يدويا، فسيتوقف تفعيل الدرج أوتوماتيكيا بعد مرور 8 ساعات.

ملاحظة:

- إذا لم يضيء الرمز أثناء تفعيل الوظيفة، فتأكد من إدخال الدرج بشكل صحيح، إذا استمر العطل، اتصل بأقرب مركز معتمد لخدمة ما بعد البيع
- إذا تم تفعيل الوظيفة والدرج مفتوح، فقد ينطفئ الرمز بلوحة التحكم أوتوماتيكيا. إذا تم إدخال الدرج، سيتم إعادة تفعيل الرمز مرة أخرى
- عدم الانتباه لحالة الوظيفة قد يؤدي إلى سماع قليل من الضجيج: وهذا أمر طبيعي ولا داعي للقلق.
- إذا لم تكن الوظيفة فعالة، تتوقف درجة الحرارة داخل الدرج على درجة الحرارة العامة داخل الثلاجة.
- وفي هذه الحالة نوصي باستخدام الدرج لتخزين الفواكه والخضروات غير الحساسة لدرجات الحرارة الباردة (التوتيات، التفاح، المشمش، الجزر، السبانخ، الخس وغيرها).

هام: عندما تكون الوظيفة فعالة في ظل تخزين منتجات غذائية تحتوي على نسبة كبيرة من الماء، فمن المحتمل تكون التكثف على الأرفف. في هذه الحالة قم بتعطيل الوظيفة بشكل مؤقت.

8.2. المروحة

تحسن وظيفة المروحة توزيع الحرارة داخل المنتج، وتسمح بحفظ أفضل للأغذية المخزنة. يتم تشغيل المروحة افتراضيا. يوصى باستمرار عمل المروحة لتعمل الوظيفة 6th Sense Fresh Control / الوظيفة ProFresh بشكل سليم وعندما تزيد درجة الحرارة المحيطة على 27 °م ± 28 °م أو إذا لاحظت قطرات ماء على الأرفف الزجاجية أو في ظروف الرطوبة القاسية. يرجى ملاحظة أنه عند تشغيل المروحة أنها لن تعمل بصفة دائمة. بل ستعمل وتتوقف المروحة عن العمل وفقا لدرجة الحرارة و/أو مستوى الرطوبة داخل المنتج. ولذا فمن الطبيعي تماما ألا تدور المروحة أحيانا حتى في حالة تشغيلها.

لتفعيل أو إيقاف فعالية هذه الوظيفة - انظر دليل التشغيل السريع المرفق.

انتبه: يؤدي إيقاف المروحة إلى إيقاف فعالية وظيفة

6th Sense Fresh Control / وظيفة ProFresh.

ملاحظة:

لا تجعل المواد الغذائية تتسبب في إعاقة مدخل الهواء.

لضمان سلامة الأداء في درجات الحرارة المحيطة المنخفضة (أقل من 18 °م) ولخفض استهلاك الطاقة، أطفئ المروحة.

ولإطفاء المروحة، يرجى اتباع الإجراء الوارد أعلاه.

إذا كان الجهاز يشتمل على مروحة فإنه يمكن تزويده بالفلتر المضاد للبكتريا. اخذله من العلبة الموجودة في درج الخضروات الطازجة وقم بتركيبه في غطاء المروحة.

إجراءات الاستبدال مرفقة داخل علبة الفلتر.

9.2. ضبط درجة الحرارة

يتم ضبط الجهاز عادة بإعدادات المصنع للتشغيل بالحرارة الموصى بها البالغة 5 درجة مئوية. يمكن تعديل درجة الحرارة الداخلية بين 8°م و 2°م بالإجراءات التالية:

- اضغط على زر ضبط درجة الحرارة (°م). يمكن تغيير حرارة التخزين بواقع 1- درجة مئوية مع كل ضغط على الزر: تتغير القيمة دوريا بين 8 درجة مئوية و 2 درجة مئوية.

ملاحظة: تطابق النقاط المرجعية المعروضة متوسط درجة الحرارة في جميع أنحاء الثلاجة

01.2. حيز التبريد المقاوم لتكون الثلج NO FROST

تتم إذابة التجمد في حيز التبريد بشكل أوتوماتيكي تماما. يشير وجود قطرات ماء على الجدار الخلفي داخل حيز الثلجة إلى أن مرحلة إذابة التجمد قيد التشغيل. يتم توجيه الماء المذاب من التجمد أوتوماتيكيا إلى قنطرة التصريف وتجميعه في وعاء حيث يتم تبخيرها.

*متوفر في موديلات معينة فقط. يرجى التحقق من دليل التشغيل السريع لمعرفة ما إذا كانت هذه الوظيفة متوفرة في موديل جهازك.

11.2. نظام إضاءة LED*

يستخدم نظام الإضاءة داخل حيز التبريد لمبات LED، مما يسمح بإضاءة أفضل وكذلك استهلاك منخفض جدا للطاقة. إذا لم يعمل نظام الإضاءة بمبات LED، فضلا اتصل بخدمة الدعم التقني لاستبدالها.

هام:

بعض مصباح حيز التبريد عندما يتم فتح باب الثلاجة. إذا بقي الباب مفتوحا لمدة 10 دقائق فسوف تنطفئ المبة أوتوماتيكيا.

3. الاستخدام

1.3. كيفية زيادة سعة تخزين الثلاجة

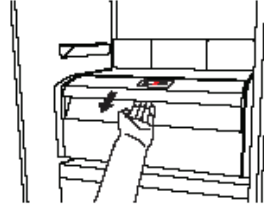
يمكنك زيادة سعة التخزين عن طريق خلع "درج درجة الصفر"

في هذه الحالة قم بما يلي:

- قم بإيقاف الدرج
- اسحب الدرج للخارج وكذلك الرف البلاستيكي الأبيض الموجود أسفل الدرج.

ملاحظة: لا يمكن خلع الرف

العلوي والدعامة الداخلية. لإعادة تشغيل "درج درجة الصفر"، تأكد من تركيب الرف البلاستيكي الأبيض أسفل الدرج قبل إدخال الدرج وإعادة تفعيل الوظيفة. ولتحسين استهلاك الطاقة، نوصي بإيقاف فعالية "درج درجة الصفر" ثم إخرجه.



4. نصائح تخزين الطعام

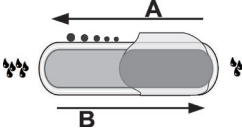
الثلاجة هي المكان المثالي لتخزين الوجبات الجاهزة والأطعمة الطازجة والمحفوظة ومنتجات الألبان والفواكه والخضروات والمشروبات.

1.4. التهوية

- التدوير الطبيعي للهواء في حيز التبريد ينتج عنه مناطق ذات درجات حرارة مختلفة. وتكون أكثر المناطق برودة فوق درج الفواكه والخضروات عند الجدار الخلفي. وأقلها برودة في أعلى الحيز الأمامي.
- وتتسبب التهوية غير الكافية في زيادة استهلاك الطاقة وانخفاض قدرة التبريد.

21.2. الدرج المتحكم في الرطوبة*

تم تصميم أدرج السلطات خصيصا للحفاظ على الفاكهة والخضروات في حالة طازجة ونضرة. إذا كنت تريد تخزين الأطعمة مثل الفواكه في بيئة أقل رطوبة، افتح منظم الرطوبة (الوضع B)، وأغلقه (الوضع A) لتخزين الأطعمة مثل الخضروات في بيئة ذات رطوبة مرتفعة نسبيا.



2.3. ملاحظات

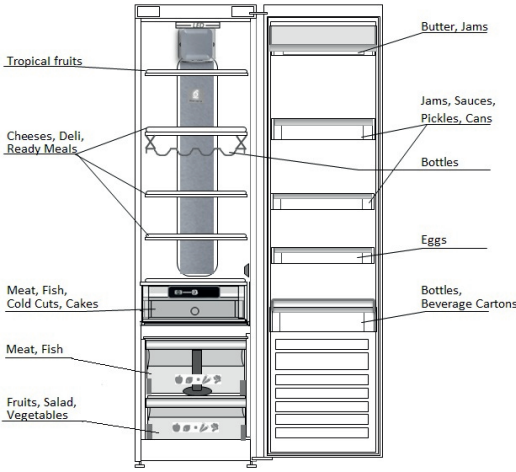
- لا تقم بسد نطاق منفذ الهواء (بالجدار الخلفي داخل الجهاز) بالمواد الغذائية.
- إذا كان الفريزر مزودا بغطاء قلاب، يمكن زيادة مساحة التخزين من خلال إزالة الغطاء القلاب.
- يمكن خلع جميع الأرفف والأغطية القلابة والسلال الجرارة.
- درجات الحرارة الداخلية للجهاز قد تتأثر بدرجة الحرارة المحيطة وعدد مرات فتح الباب وكذلك بموقع الجهاز. ويجب عند ضبط درجة الحرارة وضع هذه العوامل في الحسبان.
- لا تصلح كميات الجهاز للغسل في غسالة الأطباق ما لم يذكر خلاف ذلك.
- احرص على استخدام وظيفة العرض الذكي بشكل متكرر كلما أمكن.

2.4. كيفية تخزين الأطعمة والمشروبات الطازجة

- استخدم أوعية بلاستيكية أو معدنية أو ألومنيوم أو زجاجية قابلة لإعادة التدوير ورقائق البلاستيك لتخزين الأطعمة.
- استخدم دائما الأوعية المغلقة للسوائل والأطعمة التي تنبعث منها رائحة أو التي تفسد بانتقال الرائحة أو النكهة إليها أو قم بتغطيتها.
- يجب دائما فصل الأطعمة التي يصدر عنها كمية كبيرة من غاز الإيثيلين والأطعمة التي تتأثر بهذا الغاز، مثل الفاكهة والخضروات والسلطة أو لفها حتى لا يقل العمر التخزيني لها، على سبيل المثال، لا تقم بتخزين الطماطم مع فاكهة الكيوي أو الكرنب.
- لا تقم بتخزين الطعام بحيث يكون قريبا من بعضه البعض للسماح بتدوير كمية كافية من الهواء.
- لتجنب سقوط الزجاجات، يمكنك استخدام حامل الزجاجات (متوفر في موديلات معينة).
- إذا كانت لديك كمية صغيرة من الطعام تود تخزينها في الثلاجة، فنحن ننصحك باستخدام الأرفف الموجودة فوق درج الخضروات والفاكهة، لأن هذا هو أبرد مكان.

*متوفر في موديلات معينة فقط. يرجى التحقق من دليل التشغيل السريع لمعرفة ما إذا كانت هذه الوظيفة متوفرة في موديل جهازك.

مثال على ترتيب الأطعمة



3.4. مكان تخزين الأطعمة والمشروبات الطازجة

- على أرفف التلاجة: الوجبات الجاهزة، فواكه المناطق الحارة، الجبن، الأطعمة الحساسة.
- في المناطق الأكثر برودة - درج درجة الصفر* (الموجود أعلى حيز المبرد*): اللحوم، الأسماك، شرائح اللحم البارد، الفطائر.
- في درج الخضروات والفاكهة: الفواكه، السلاطة، الخضروات.
- في الباب: الزبدة، المربي، الصوص، المخللات، العلب، الزجاجات، كرتونات المشروبات، البيض

5. الأصوات الوظيفية

الأصوات التي تصدر من أجهزتك أصوات طبيعية، نظراً لأنها تشتمل على عدد من المراوح والمحركات التي تعمل وتتوقف بصورة أوتوماتيكية لتنظيم الأداء.

يمكن تقليل بعض الأصوات الوظيفية من خلال

- ضبط استواء الجهاز وتثبيتته على سطح مستو
- فصل وتجنب حدوث أي تلامس بين الجهاز وأي أثاث منزلي.
- فحص ما إذا كانت الأجزاء الداخلية موضوعة بشكل صحيح.
- التأكد أن الزجاجات والأوعية غير متلامسة مع بعضها البعض.

بعض الأصوات الوظيفية التي يمكن أن تسمعها:

وصوت «بررررر» عندما يتم تشغيل الكمبريسور.



صوت فرقعة عندما يدخل سائل التبريد في الأنابيب.



صوت تشويش عند تشغيل الجهاز للمرة الأولى أو بعد فترة توقف طويلة.



أما صوت النقر فيأتي من الترموستات التي تضبط عدد مرات تشغيل الكمبريسور.



صوت طقطقة عند بدء عمل الكمبريسور أو عند سقوط قطع الثلج الجاهزة في درج الثلج أو صوت نقر عن تشغيل وإيقاف الكمبريسور.



صوت أزيز عندما يبدأ صمام الماء أو المروحة في العمل.



*متوفر في موديلات معينة فقط. يرجى التحقق من دليل التشغيل السريع لمعرفة ما إذا كانت هذه الوظيفة متوفرة في موديل جهازك.

6. توصيات في حالة عدم استخدام الجهاز

1.6. الغياب / العطلات

في حالة الغياب لقضاء أجازة ينصح باستهلاك الطعام وفصل الجهاز لتوفير الطاقة.

2.6. تغيير السكن

1. أخرج كل الأجزاء الداخلية.
- تجنب إعاقة ريش المروحة الخلفية.
- قم بلفها جيداً وثبتهاً معاً باستخدام شريط لاصق حتى لا ترتطم معاً أو تفقد.
3. اربط الأرجل القابلة للضبط بحيث لا تلامس سطح التذعيم.
4. أغلق الباب وقم بتثبيتها باستخدام شريط لاصق، واستخدم الشريط اللاصق مرة أخرى لتثبيت كابل الكهرباء بالجهاز.

3.6. انقطاع التيار الكهربائي

في حالة انقطاع التيار الكهربائي اتصل بمكتب مرفق الكهرباء المحلي واستعلم عن المدة التي سيستمر فيها انقطاع التيار.

ملاحظة: تذكر أن الجهاز الممتلئ بالطعام يظل بارداً لمدة أطول من الجهاز المملوء جزئياً.

إذا كانت حالة الطعام سيئة فيفضل التخلص منه.

بالنسبة لحالات انقطاع التيار الكهربائي التي تستمر حتى 24 ساعة.

1. حافظ على باب الجهاز مغلقاً. فإن ذلك يساعد في أن يبقى الطعام المخزن بارداً لأطول مدة ممكنة.

بالنسبة لحالات انقطاع التيار الكهربائي التي تستمر لأكثر من 24 ساعة.

1. حاول استهلاك الأطعمة الأكثر عرضة للتلف.

7. الصيانة والتنظيف

قبل القيام بأي عملية تنظيف أو صيانة، افصل الجهاز عن الشبكة الكهربائية أو افصل مصدر الإمداد بالتيار الكهربائي.

قم على فترات منتظمة بتنظيف الجهاز باستخدام قطعة قماش ومحلول من الماء الفاتر ومنظف متعادل مخصص للتلاجة من الداخل. لا تستخدم أية مواد خادشة. لا تستخدم في تنظيف أجزاء التلاجة أية سوائل قابلة للاشتعال. فقد تتسبب الأبخرة في التعرض لخطر الحريق أو الانفجار. قم بتنظيف الجهاز من الخارج ووسيلة إحكام الباب باستخدام قطعة قماش مبللة ثم جففه بقطعة ناعمة.

لا تستخدم أبداً أجهزة تنظيف البخار.

يجب تنظيف المكثف الموجود بظهر الجهاز بصفة منتظمة باستخدام مكنسة كهربائية.

يجب تنظيف المكثف الموجود بظهر الجهاز بصفة منتظمة باستخدام مكنسة كهربائية.

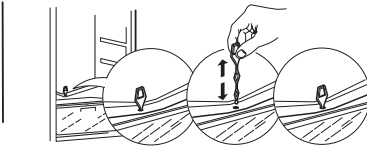
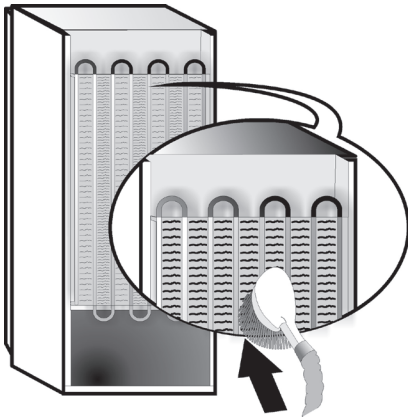
هام:

- لا يسمح بتنظيف الأزرار ولوحة التحكم باستخدام الكحول أو المواد المشتملة من الكحول، ولكن باستخدام قطعة قماش جافة.
- توجد أنابيب دورة التبريد بجانب وعاء إذابة التجمد ويمكن أن تسخن. قم بتنظيفها باستخدام مكنسة كهربائية.

لضمان التدفق الصحيح والمستمر لماء إذابة التجمد، يراعى تنظيف فتحة التصريف

بظهر التلاجة بالقرب من درج الفاكهة والخضراوات من الداخل بصفة دورية،

باستخدام الأداة الموردة.



احرص قبل تنظيف "درج درجة الصفر" (ومن الخارج أيضاً) على خلع الدرج بحيث يكون الدرج مفصلاً عن مصدر الكهرباء.

قم بتنظيف الدرج وجميع أجزائه على فترات منتظمة باستخدام قطعة قماش ومحلول من الماء الفاتر ومنظف متعادل مخصص للتلاجة من الداخل (احرص على عدم غمر الرف البلاستيكي الأبيض الموجود أسفل الدرج في الماء).

لا تستخدم المنظفات الكاشطة أبداً.


8. دليل التغلب على الأعطال




1.8. قبل الاتصال بخدمة ما بعد البيع...

تنتج مشكلات الأداء عادة من أشياء بسيطة يمكنك اكتشافها وحلها بنفسك دون استخدام أدوات.

المشكلة	الحل
الجهاز لا يعمل:	<ul style="list-style-type: none"> هل كابل الكهرباء متصل بمقبس كهرباء بقيمة الجهد الصحيحة؟ هل تأكدت من وجود أجهزة حماية ومصاهر للنظام الكهربائي الموجود في منزلك؟
إذا كان هناك ماء في وعاء إذابة التجمد:	<ul style="list-style-type: none"> هذا أمر طبيعي في الطقس الساخن والرطب. ويمكن أن يمتلئ الوعاء حتى المنتصف. تأكد أن الجهاز مستوى بحيث لا يفيض الماء خارج الوعاء.
إذا كانت حواف علبة الجهاز الملامسة لوسيلة إحكام الباب ساخنة للغاية:	<ul style="list-style-type: none"> هذا أمر طبيعي في الطقس الحار وأثناء عمل الكمبريسور.
إذا كانت اللمبة لا تعمل:	<ul style="list-style-type: none"> هل تأكدت من وجود أجهزة حماية ومصاهر للنظام الكهربائي الموجود في منزلك؟ هل كابل الكهرباء متصل بمقبس كهرباء بقيمة الجهد الصحيحة؟ في حالة انكسار لمبات LED يجب أن يتصل المستخدم بخدمة ما بعد البيع لاستبدالها بلمبات من نفس النوع والمتاحة فقط لدى مراكز خدمة ما بعد البيع أو الموزعين المعتمدين.
إذا بدا أن الموتور يدور أكثر من اللازم:	<ul style="list-style-type: none"> يتوقف عدد مرات تشغيل الموتور على عدة أشياء مختلفة: عدد مرات فتح الباب وكمية الطعام المخزنة ودرجة حرارة الغرفة وضبط مفاتيح درجة الحرارة. هل المكثف (يظهر الجهاز) خالي من الغبار أو الوير؟ هل الباب مغلق بشكل صحيح؟ هل موانع تسرب الباب مركبة بشكل صحيح؟ في الأيام الحارة أو إذا كانت الغرفة ساخنة من الطبيعي أن يعمل الموتور لفترة أطول. إذا تم ترك باب الجهاز مفتوحاً لفترة أو إذا تم تخزين كميات كبيرة من الطعام، فإن الموتور يعمل لفترة أطول لتبريد الجهاز من الداخل.
إذا كانت درجة حرارة الجهاز مرتفعة للغاية:	<ul style="list-style-type: none"> هل عناصر التحكم في الجهاز مضبوطة بشكل صحيح؟ هل تم وضع كمية كبيرة من الأطعمة داخل الجهاز؟ تأكد من عدم فتح الباب لمرات عديدة. تأكد أن الباب مغلق بشكل صحيح.
إذا كانت الأبواب لا تفتح أو تنغلق بشكل صحيح:	<ul style="list-style-type: none"> تأكد أن عبوات الطعام لا تعوق الباب. تأكد أن الأجزاء الداخلية أو تجهيزه إعداد مكعبات الثلج الأوتوماتيكية ليست في غير موضعها. تأكد أن وسائل إحكام الباب ليست متسخة أو لزجة. تأكد من استواء الجهاز.

2.8. الأعطال

في حالة وجود إنذارات تشغيلية، تُعرض أيضاً على لمبات LED الرقمية، (مثل، العطل 1 والعطل 2 والعطل 3، إلخ...) فاتصل بخدمة ما بعد البيع مبيناً كود الإنذار. ينطلق الإنذار الصوتي، وتضيء أيقونة الإنذار  ويومض الحرف F بوحدة العرض الرقمية تبعاً لكود العطل المبين فيما يلي:

كود العطل	العرض
الخطأ 2	 x2 يومض الحرف F بمعدل 0.5 ثانية. يومض مرتين ثم يظل مطفاً لمدة 5 ثوان. ثم يتكرر الأمر.
الخطأ 3	 x3 يومض الحرف F بمعدل 0.5 ثانية. يومض 3 مرات ثم يظل مطفاً لمدة 5 ثوان. ثم يتكرر الأمر.
الخطأ 6	 x6 يومض الحرف F بمعدل 0.5 ثانية. يومض 6 مرات ثم يظل مطفاً لمدة 5 ثوان. ثم يتكرر الأمر.

*متوفر في موديلات معينة فقط. يرجى التحقق من دليل التشغيل السريع لمعرفة ما إذا كانت هذه الوظيفة متوفرة في موديل جهازك.

9. خدمة ما بعد البيع

SERVICE 0000 000 00000



- رقم الخدمة (الرقم الوارد بعد كلمة Service على لوحة الصنع الموجودة بداخل الجهاز)،
- عنوانك بالكامل،
- رقم الهاتف وكود المنطقة.

ملاحظة:

يمكن تغيير اتجاه فتح الباب. إذا تم تنفيذ هذا الإجراء عن طريق خدمة ما بعد البيع فإن الضمان لا يغطي ذلك.

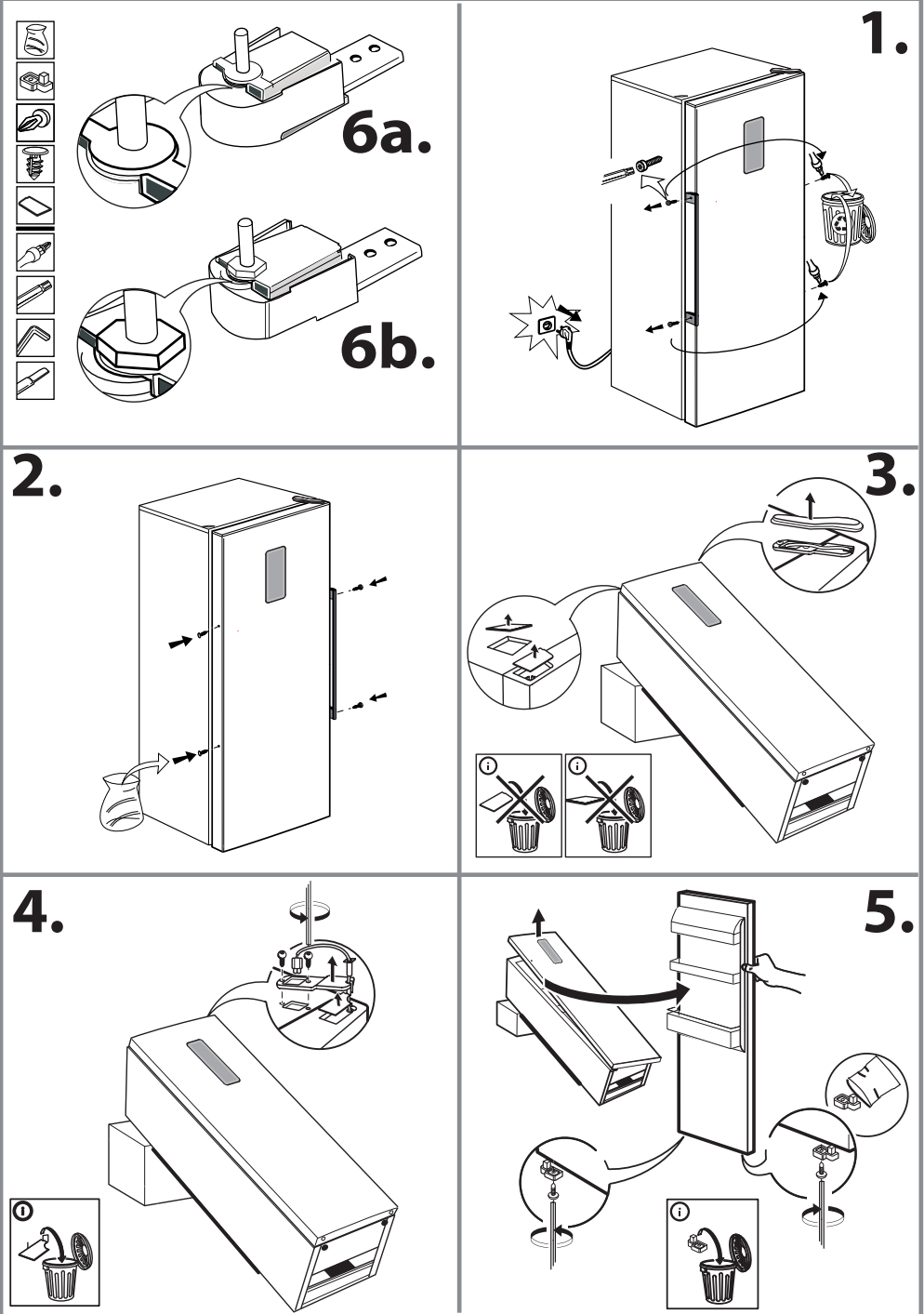
قبل الاتصال بخدمة ما بعد البيع:

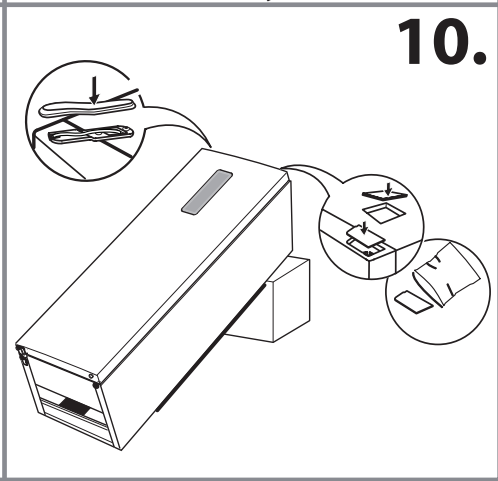
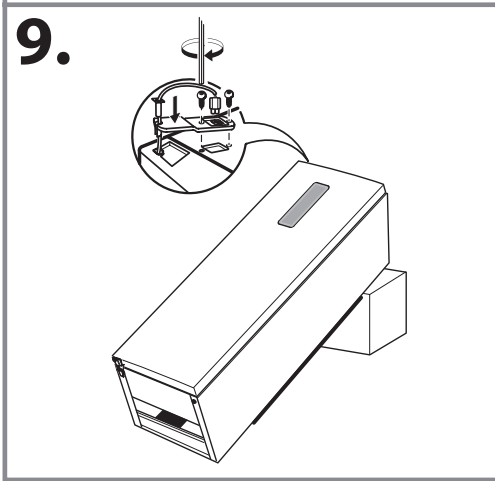
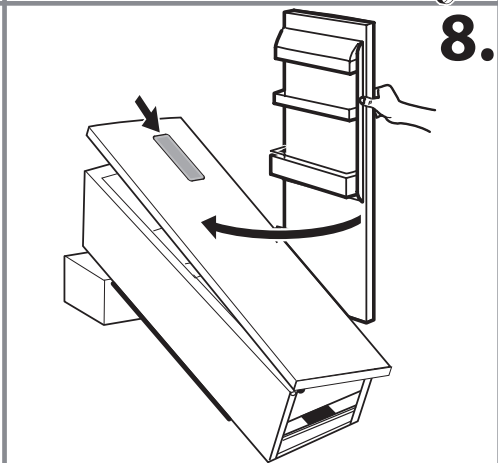
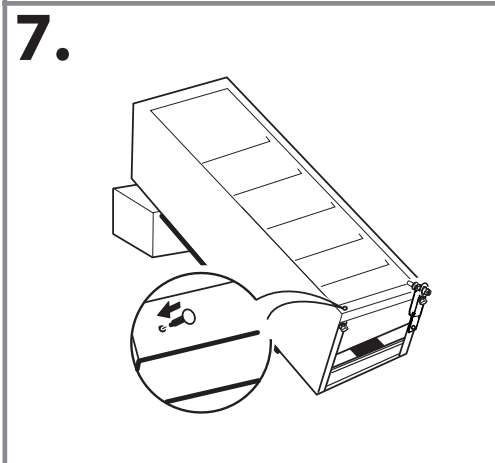
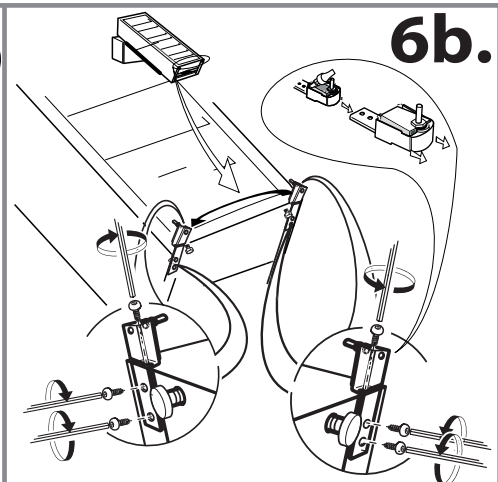
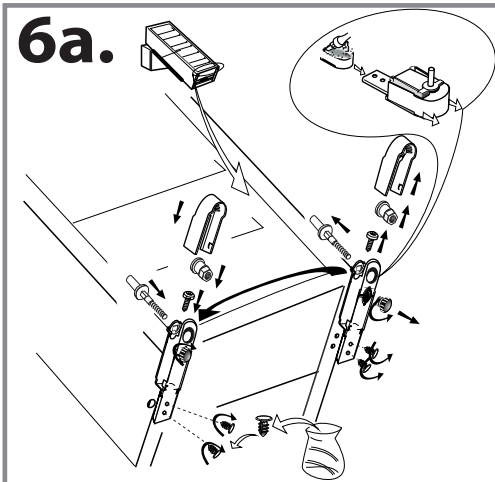
قم بتشغيل الجهاز مرة أخرى لترى ما إذا كان قد تم حل المشكلة. فإذا استمرت المشكلة، افصل الجهاز عن التيار الكهربائي وانتظر لمدة ساعة تقريبا قبل تشغيله مرة أخرى. إذا لم يعمل الجهاز بشكل صحيح بعد إجراء الفحوصات الواردة في دليل تحري الأعطال وتشغيل الجهاز مرة أخرى، فاتصل بخدمة ما بعد البيع واطرح المشكلة.

قم بتحديد ما يلي:

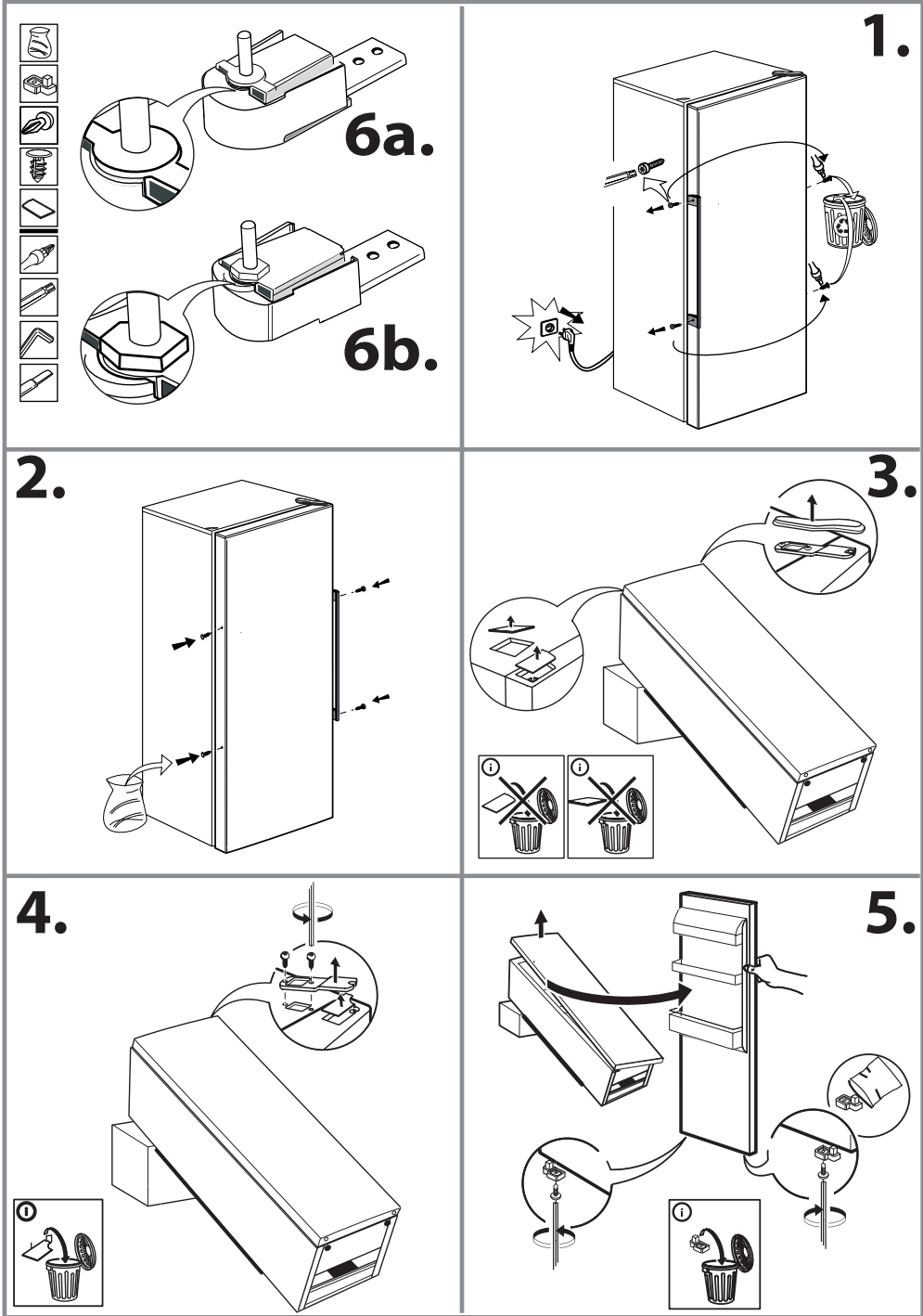
- موديل الجهاز والرقم المسلسل (المبين على لوحة الصنع)،
- طبيعة المشكلة،

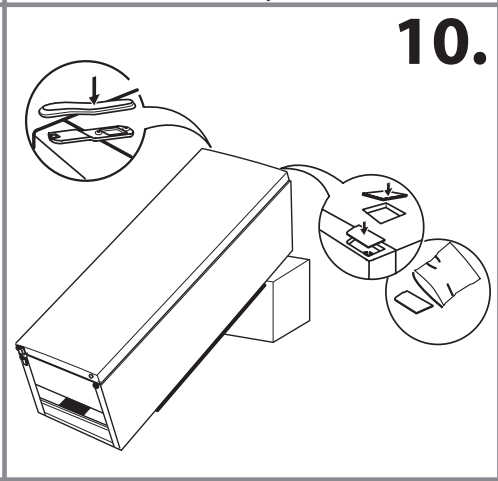
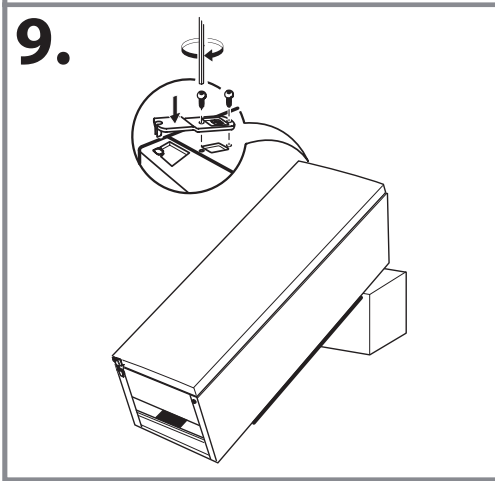
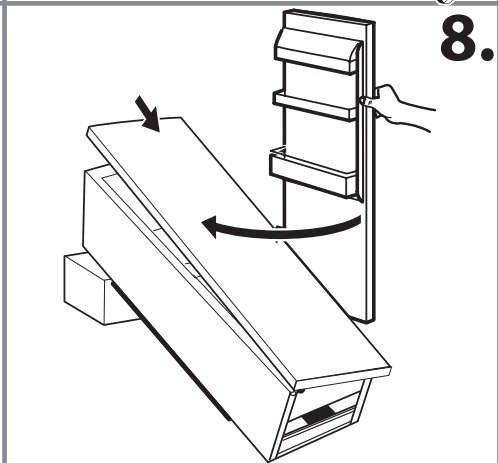
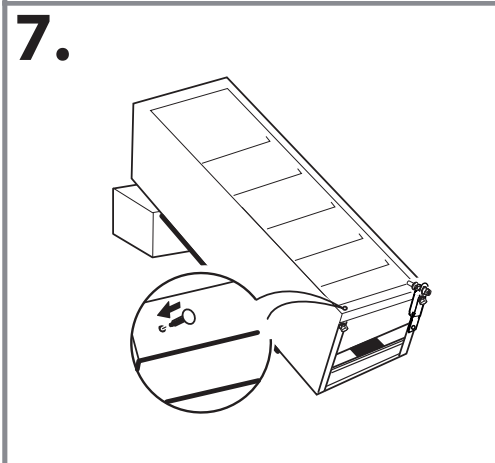
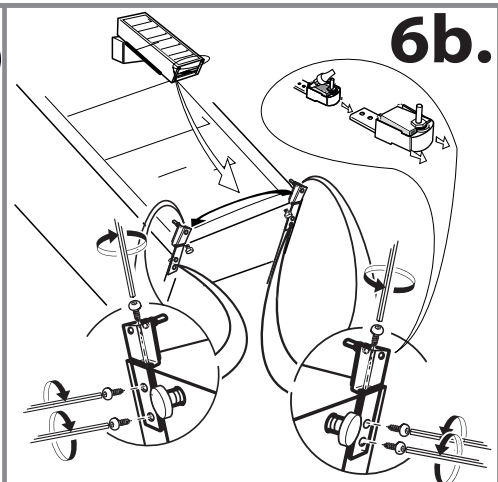
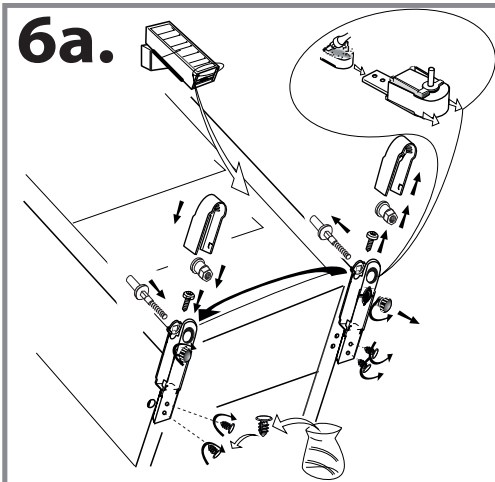
(1)





(2)





19514835401

(EN) (DE) (FR) (IT) (ES) (EL) (PL) (AR)



06/17