

jump2group

**Color Side 1:**  
BLACK

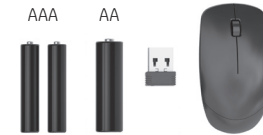
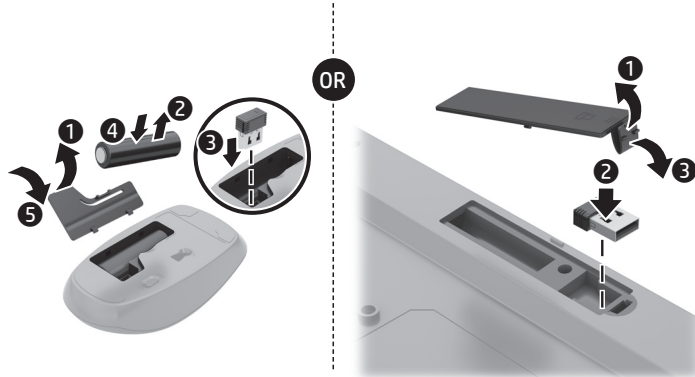
**Flat size:**  
8.27 x 5.83 in. (A5)

**Fold 1:**  
In half

**Fold 2:**  
In half

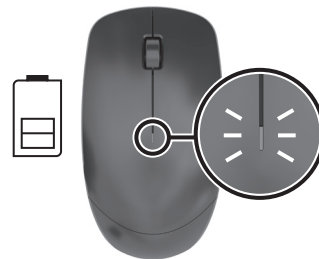
**Color Side 2:**  
BLACK

**Finished size:**  
4.134 x 2.913 in. (A7)



1200 DPI\*  
1600 DPI  
1000 DPI

*Default *افتراضي*	*Par défaut *Zadano	*Domyślne *Predefinito	*Standard *ค่าเริ่มต้น
*Default *По подразб	*Predefinito *Әденки	*Padrão *Noklusējums	*Varsayilan *За замовчуванням
*Standard *Výchozí	*Numatytoji raiška *Alapért	*Implicit *По умолчанию	*初期設定
*Standard *Predeterminado	*Standard *Standaard	*Privzeta nastavitve *Oletus	*默认 *預設
*Standard *Προεπιλογή	*Standard	*Podrazumevano	



**RMN/型號/型号:** HSA-A011M + HSA-A005K + HSA-A011D

© Copyright 2020 HP Development Company, L.P.

The information contained herein is subject to change without notice. The only warranties for HP products and services are set forth in the express warranty statements accompanying such products and services. Nothing herein should be construed as constituting an additional warranty. HP shall not be liable for technical or editorial errors or omissions contained herein.

Second Edition: October 2020  
First Edition: June 2020

PRINTER: Replace this box with Printed- In (PI) Statement(s) as per spec.  
NOTE: This box is simply a placeholder. PI Statement(s) do not have to fit inside the box but should be placed in this area.



M12630-B22

jump2group

**Color Side 1:**  
BLACK

**Flat size:**  
8.27 x 5.83 in. (A5)

**Fold 1:**  
In half



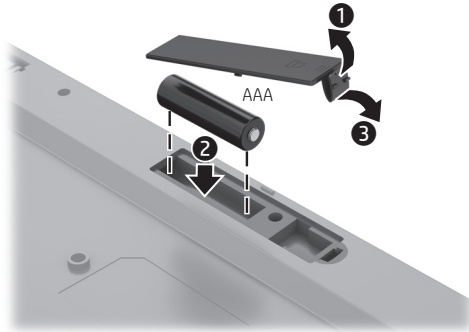
**Fold 2:**  
In half



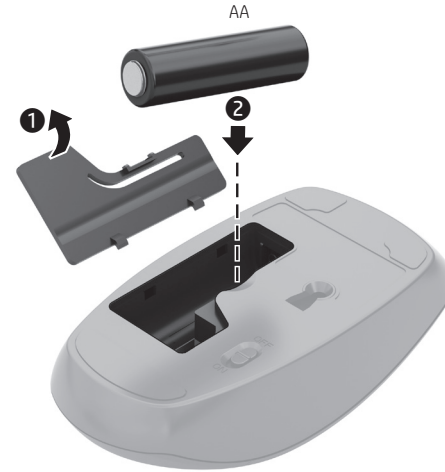
**Color Side 2:**  
BLACK

**Finished size:**  
4.134 x 2.913 in. (A7)

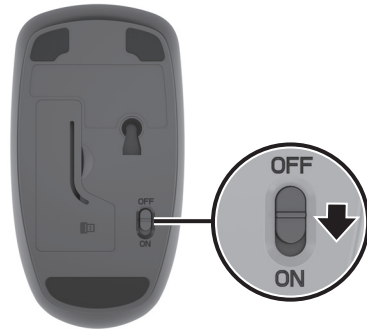
1



2



3



4

