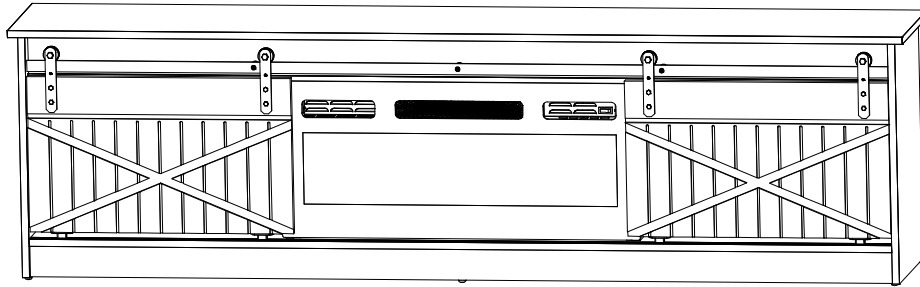


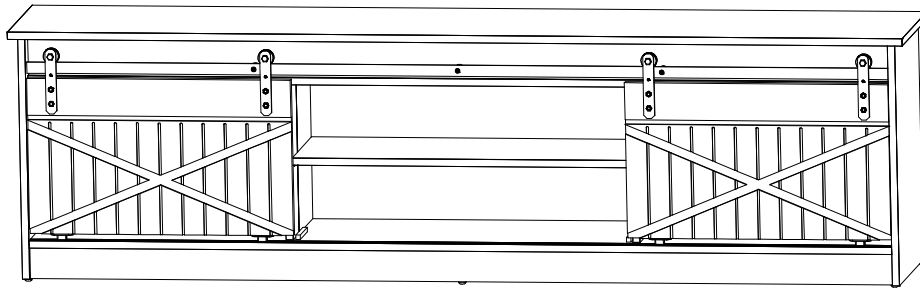
GRANERO

GRANERO 01

OP-138/139



VARIANT 1



VARIANT 2

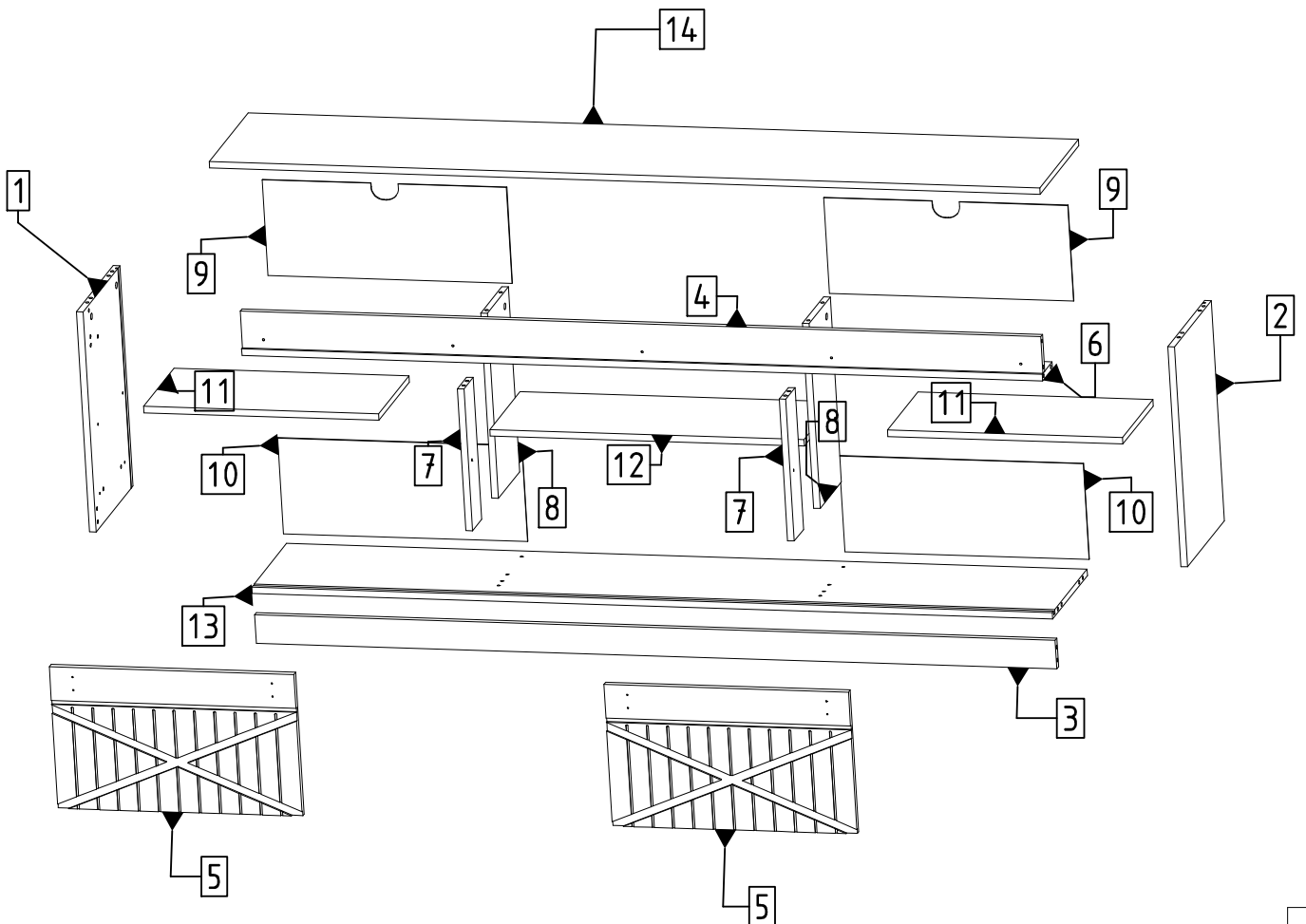
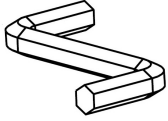
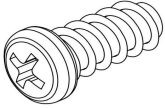

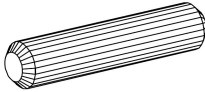
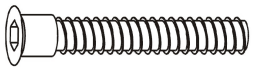
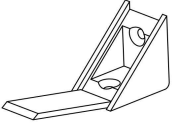


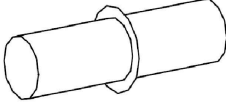
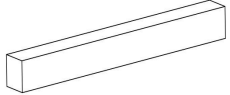
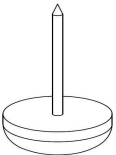
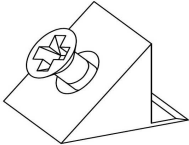
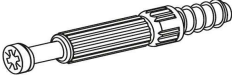
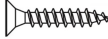
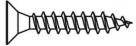
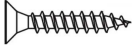
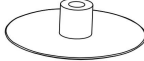
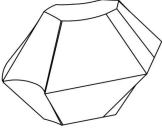
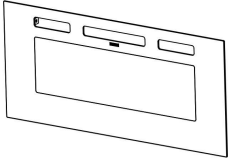
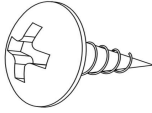
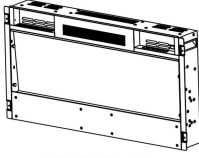

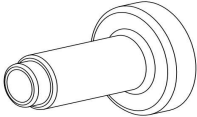

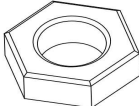

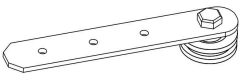
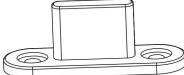

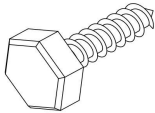
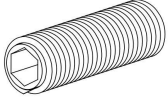
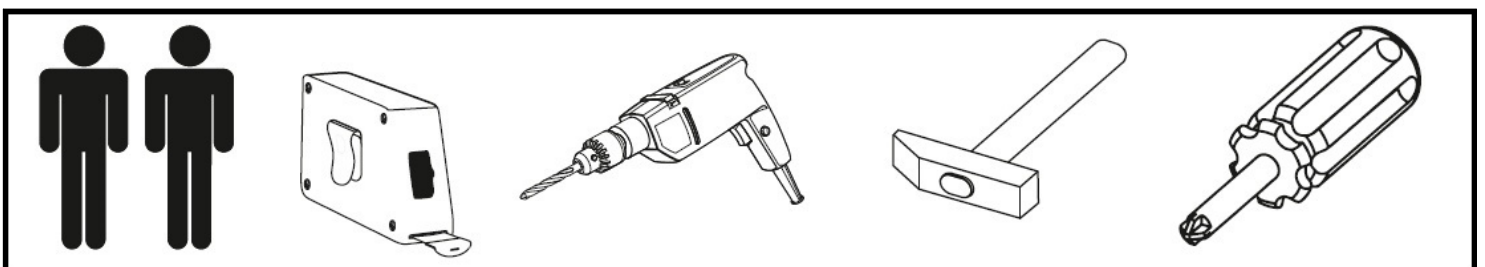


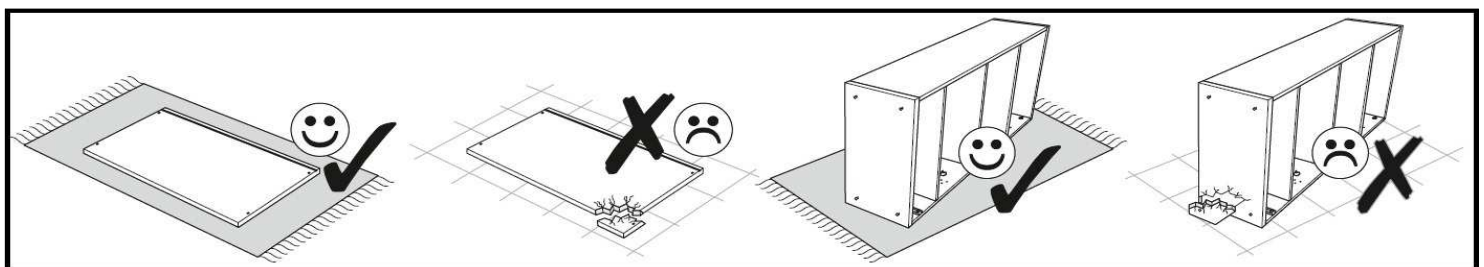
Table accessories

GRANERO 01

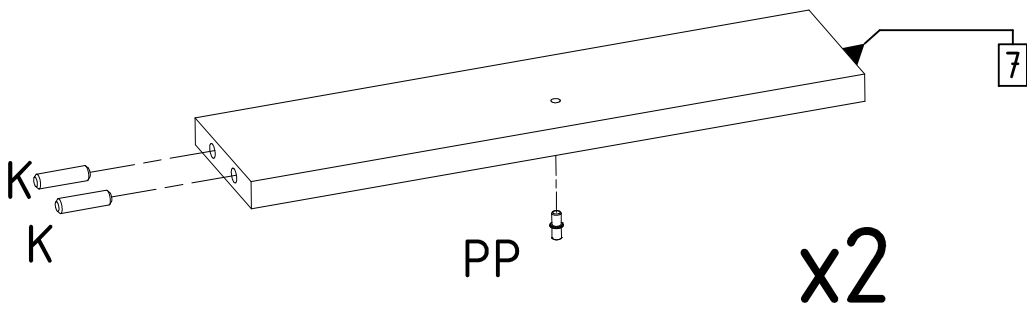
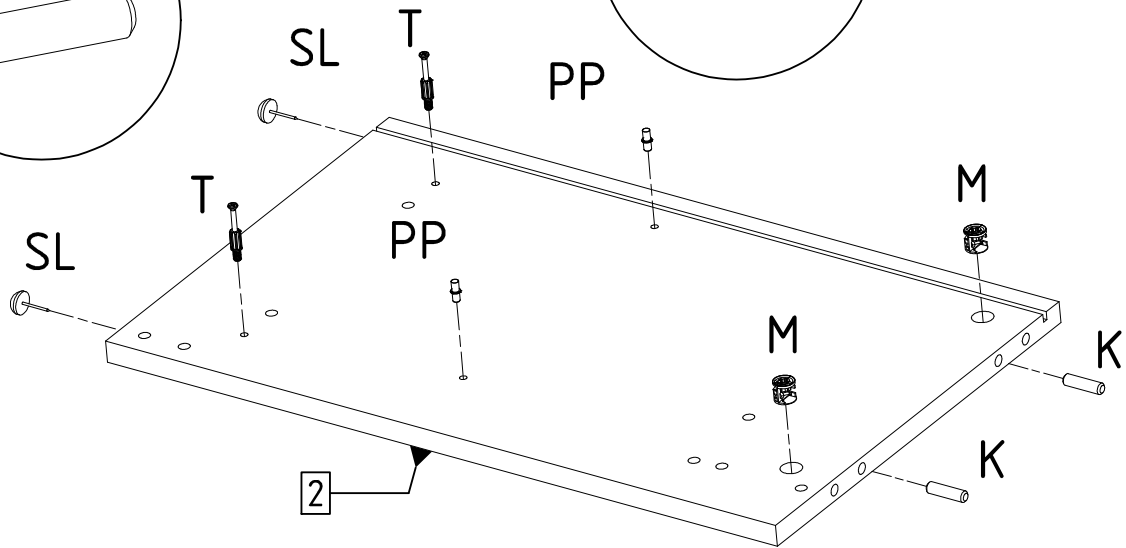
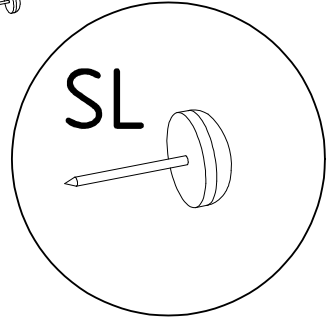
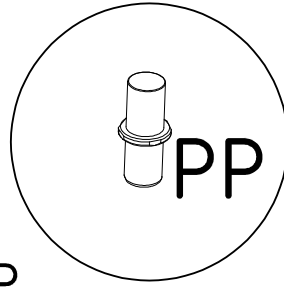
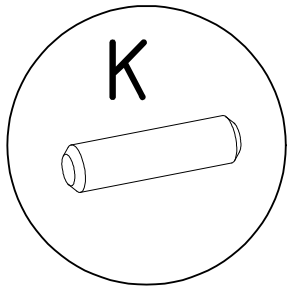
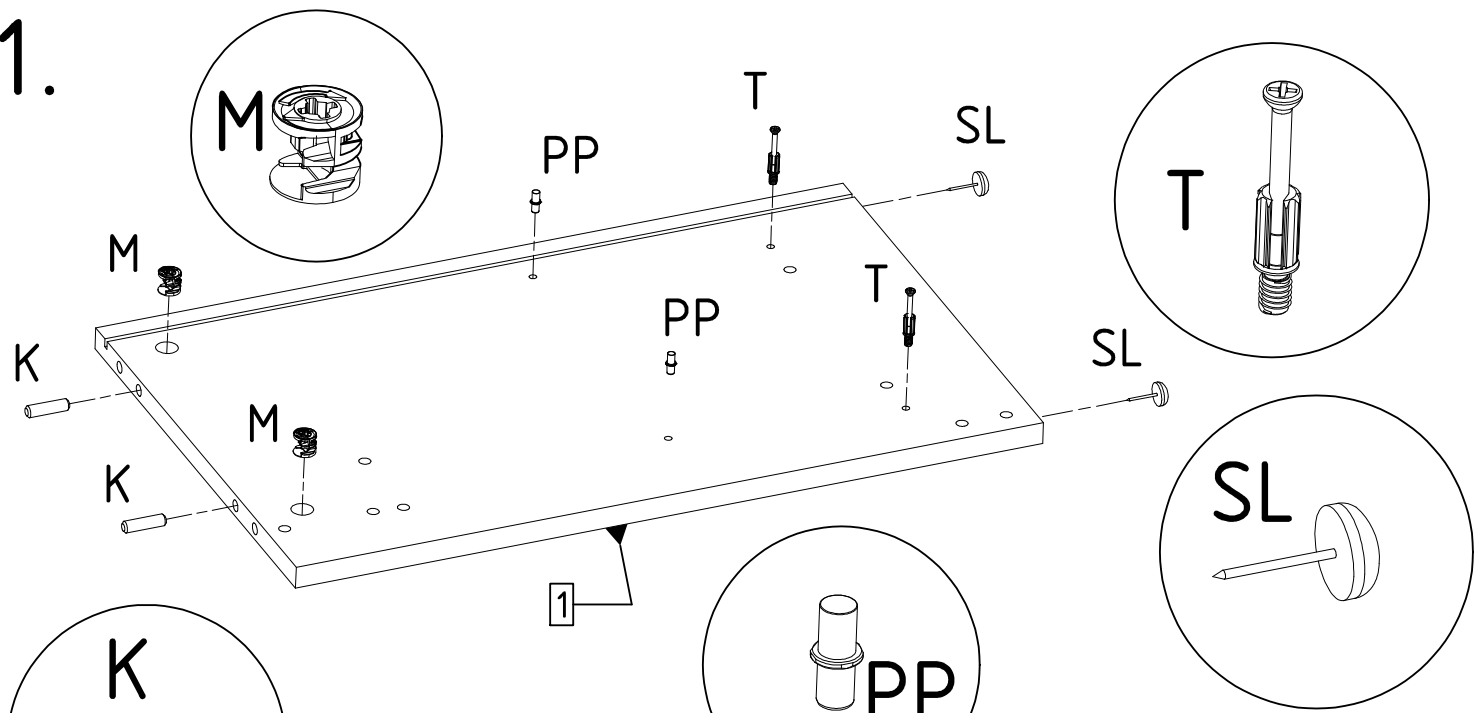
| | | | | |
|--|---|---|--|--|
|  A1 | 6,3 X 13  E13 |  G | 8 x 30  K | 6,3 X 50  KN |
|  KP | 15 x 12  M | H:76mm  N8 |  PP |  PPK |
|  SL |  ST | 6 x 34 mm  T | 4 x 16  W16 | 3 x 16mm  W3 |
| 4 X 25mm  W4 |  Z | | | |
|  KRD |  SK2 |  WK |  WKL2 | |
| L=1926mm  BZ |  DS |  E50 |  NK4 |  PDK |
|  PF |  PFD | L=1926mm  PRF |  WF16 |  ZB |



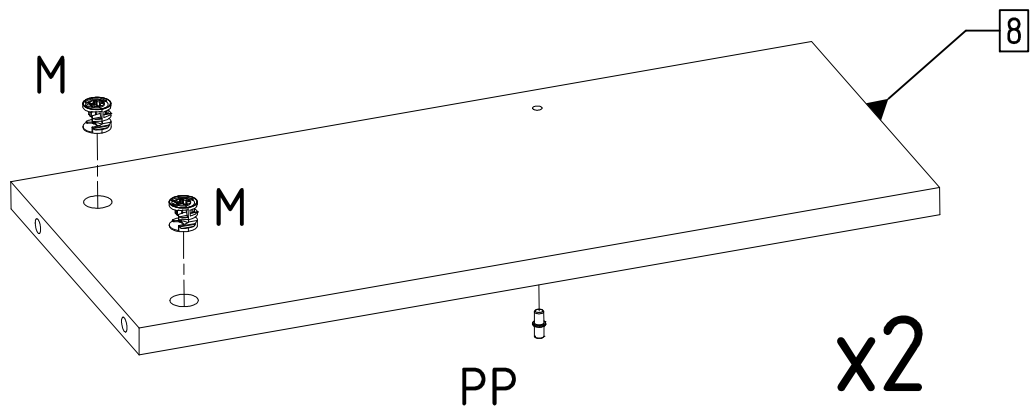
| Elements | | | | Accessories | |
|----------|--------|-------|----------|---|----------|
| SYMBOL | LENGTH | WIDTH | QUANTITY | SYMBOL | QUANTITY |
| BL [1] | 540 | 332 | 1 | A1 | 1 |
| BP [2] | 540 | 332 | 1 | BZ [L=1926mm] | 1 |
| CD [3] | 1928 | 70 | 1 | DS | 5 |
| CG [4] | 1928 | 90 | 1 | E13 | 2 |
| FT [5] | 589 | 348 | 2 | E50 | 5 |
| LT [6] | 1928 | 90 | 1 | G | 22 |
| P1 [7] | 348 | 83 | 2 | K | 24 |
| P2 [8] | 454 | 190 | 2 | KN | 10 |
| PC1 [9] | 588 | 235 | 2 | KP | 2 |
| PC2 [10] | 588 | 235 | 2 | KRD (attached to the electric fireplace) | 62 |
| PK1 [11] | 566 | 273 | 2 | M | 12 |
| PK2 [12] | 757 | 273 | 1 | N8 | 1 |
| WD [13] | 1928 | 313 | 1 | NK4 | 5 |
| WG [14] | 2000 | 350 | 1 | PDK | 10 |
| | | | | PF | 4 |
| | | | | PFD | 4 |
| | | | | PP | 12 |
| | | | | PPK | 2 |
| | | | | PRF [L=1926mm] | 1 |
| | | | | SK2 (attached to the electric fireplace) | 1 |
| | | | | SL | 5 |
| | | | | ST | 12 |
| | | | | T | 12 |
| | | | | W16 | 4 |
| | | | | W3 | 8 |
| | | | | W4 | 4 |
| | | | | WF16 | 8 |
| | | | | WK (attached to the electric fireplace) | 6 |
| | | | | WKL2 (attached to the electric fireplace) | 1 |
| | | | | Z | 12 |
| | | | | ZB | 4 |



1.

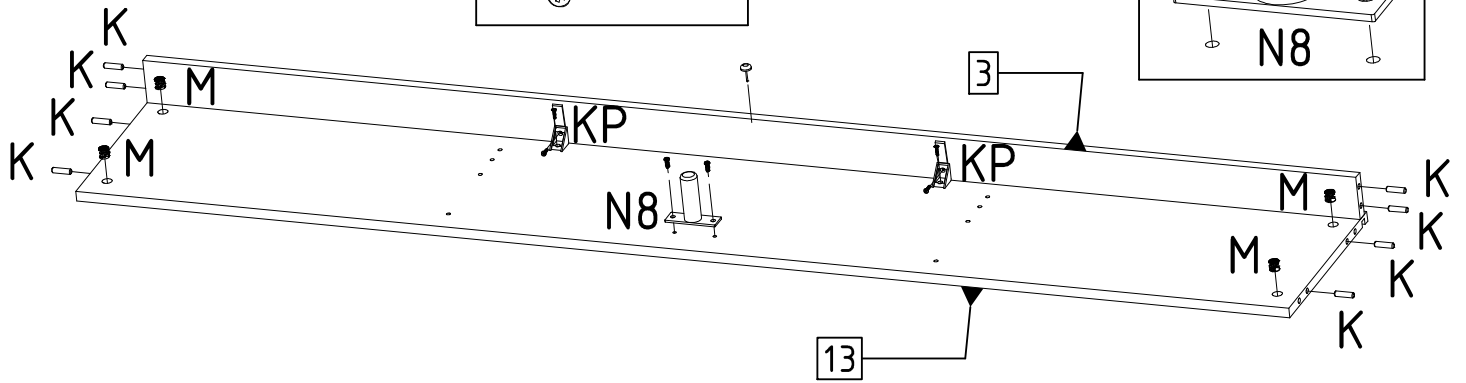
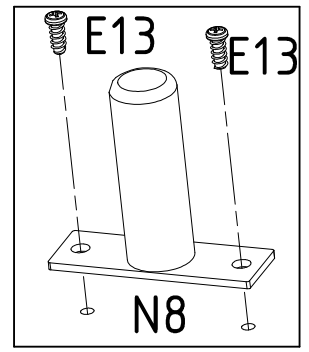
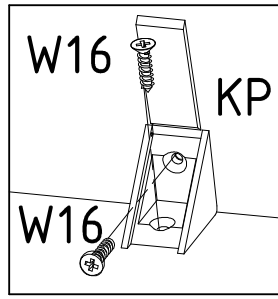


x2

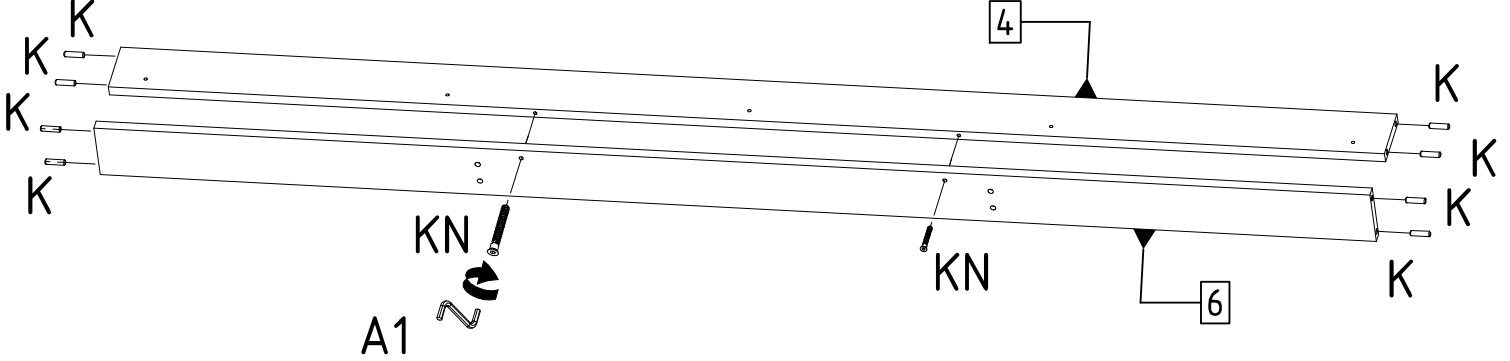


x2

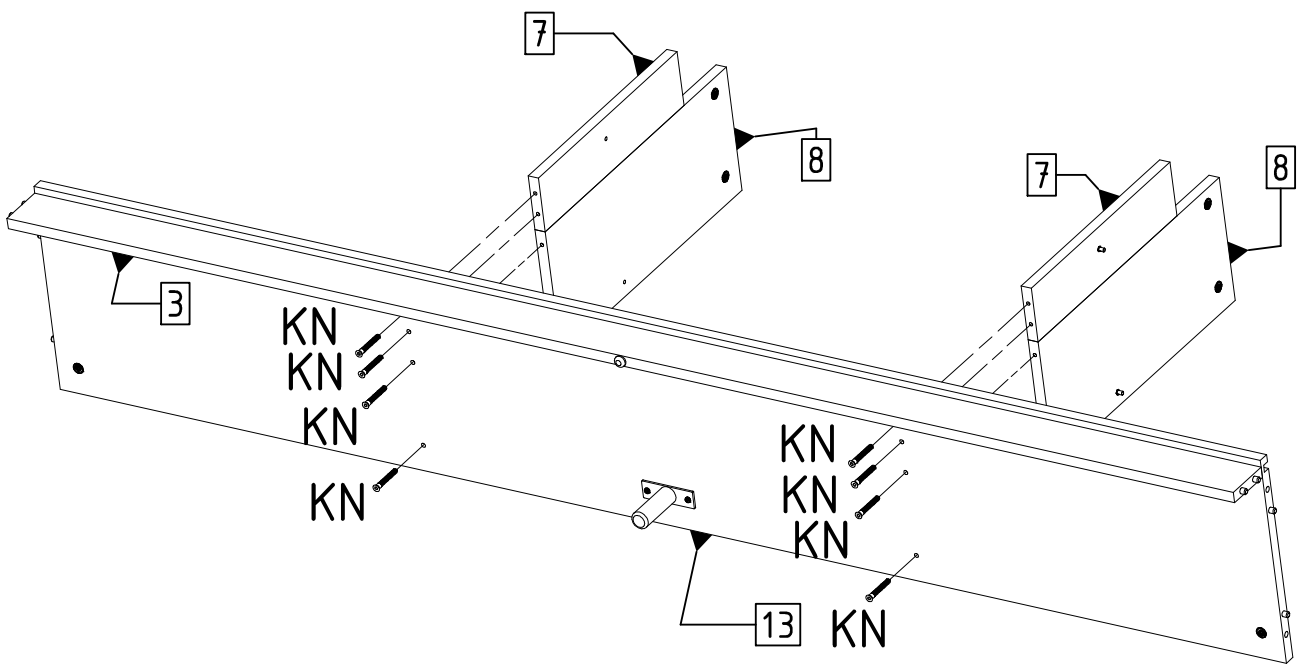
2.



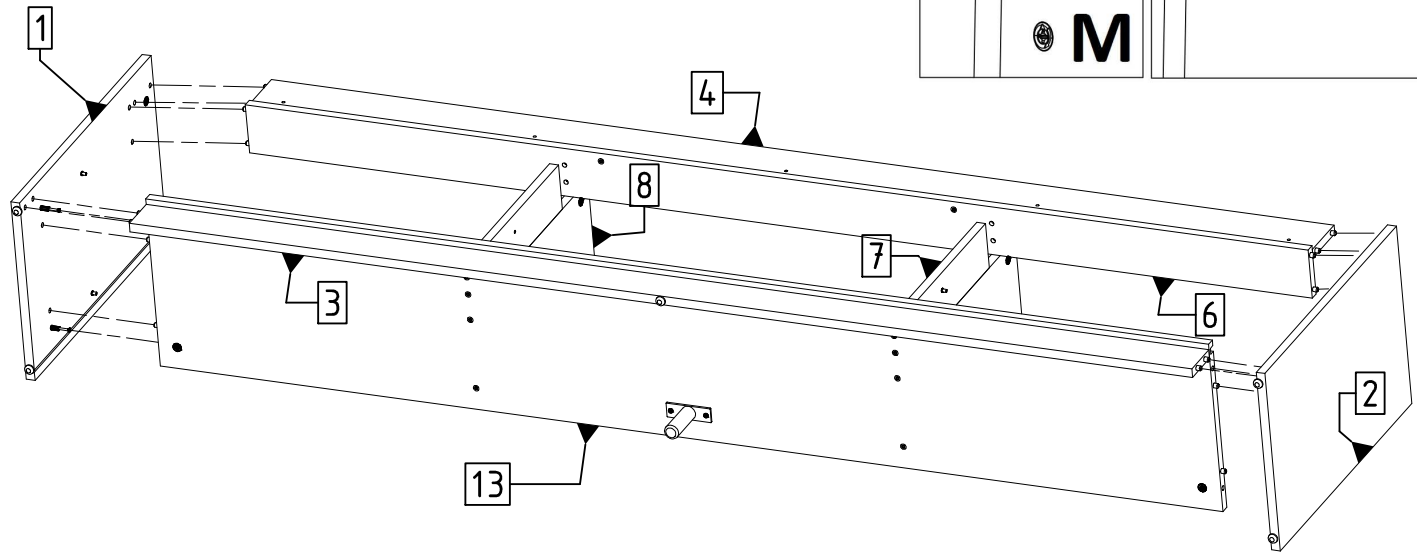
3.



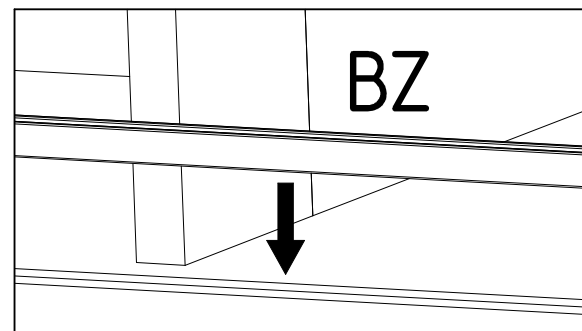
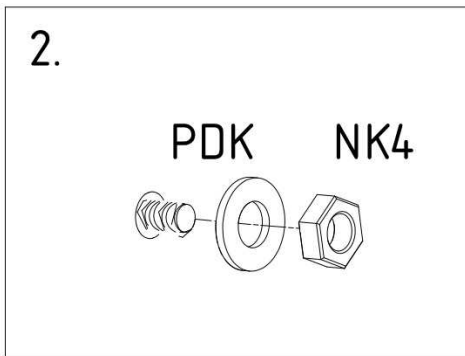
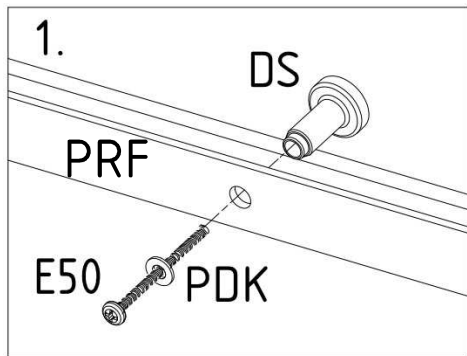
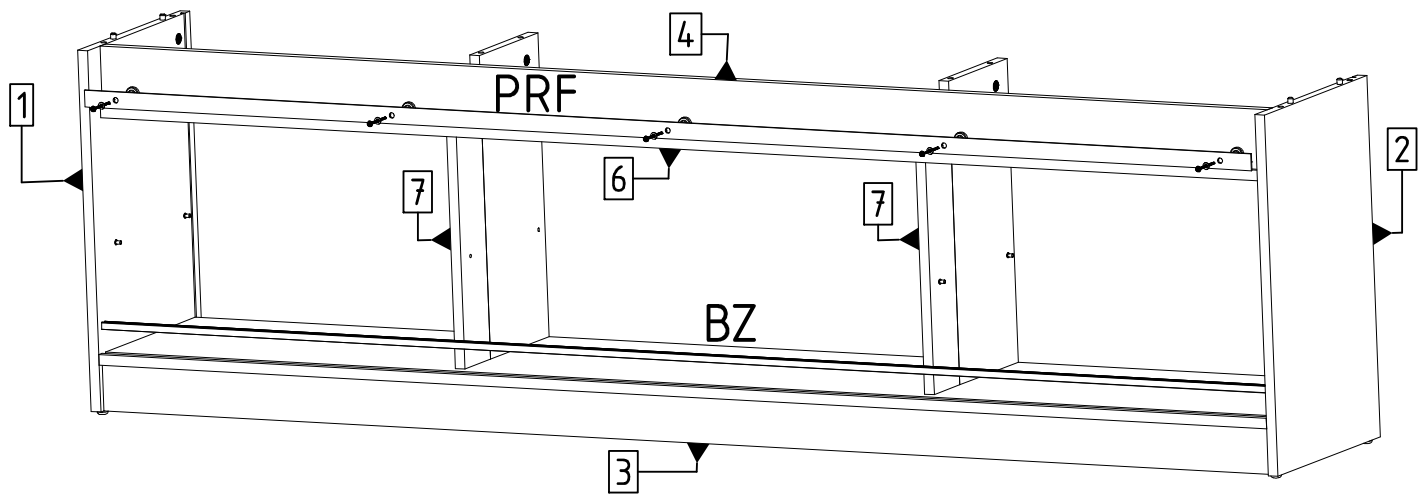
4.

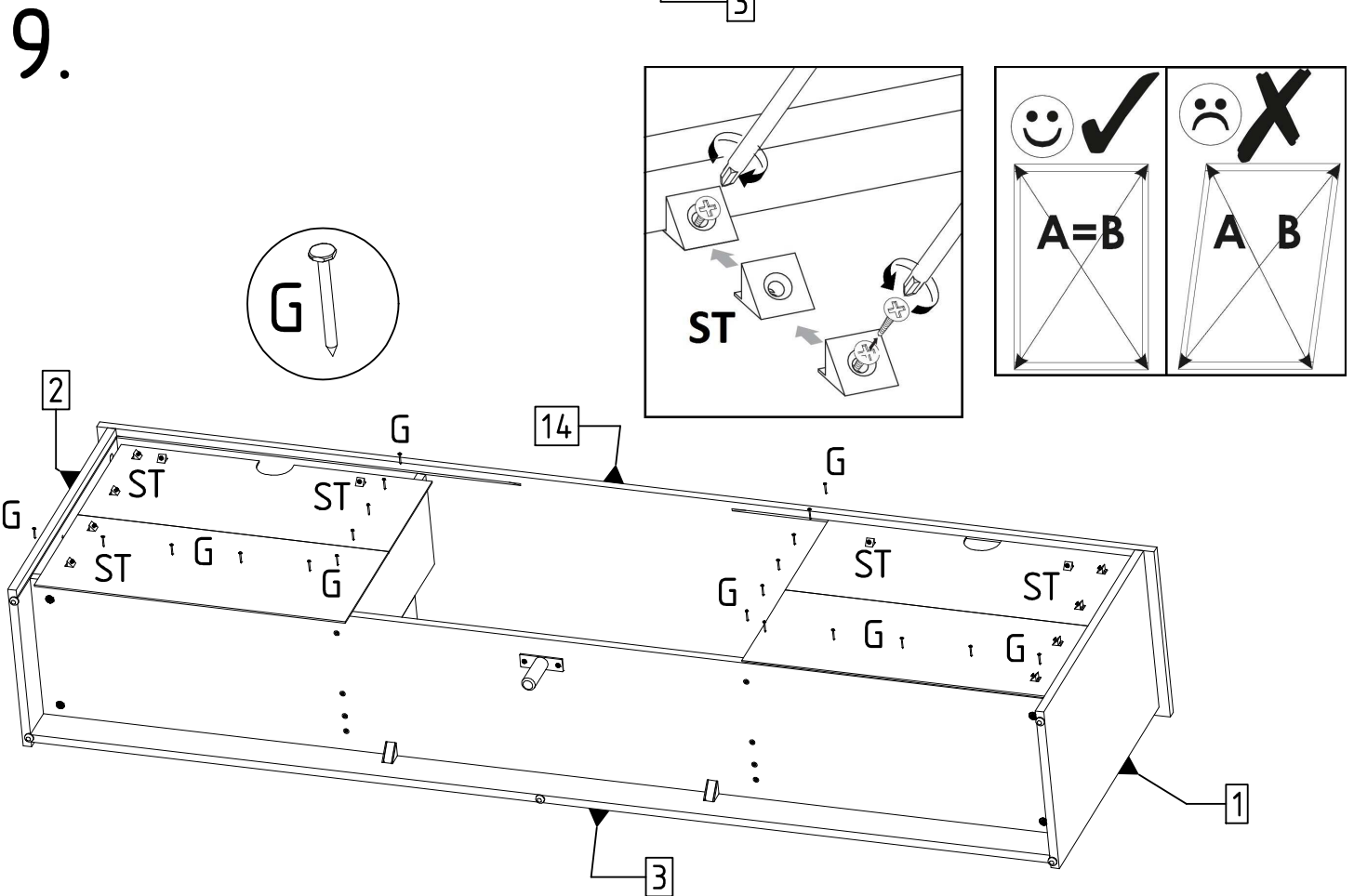
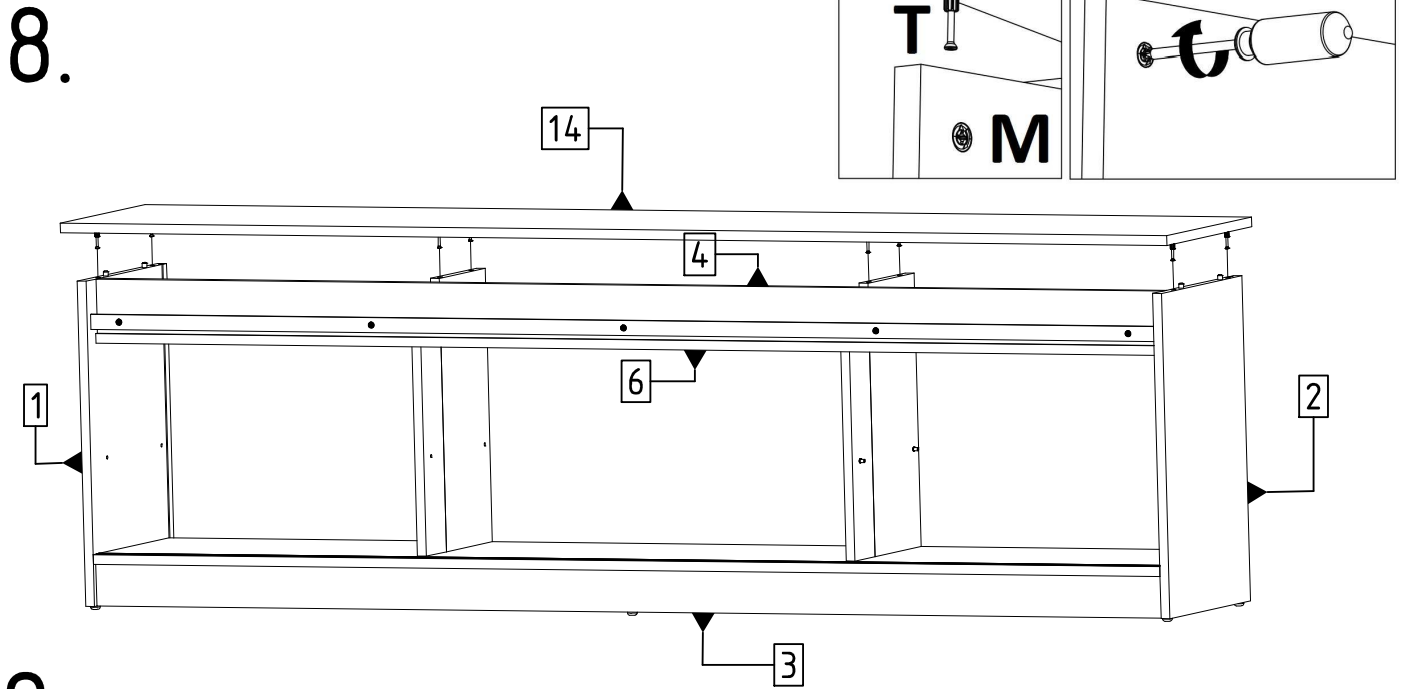
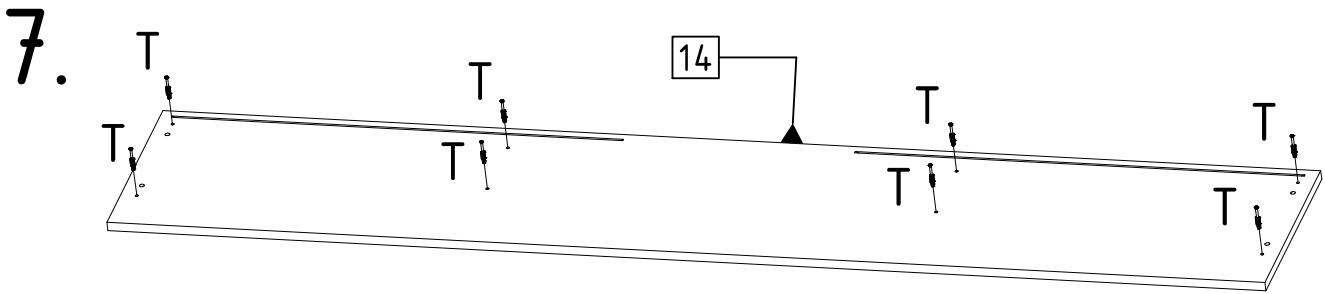


5.

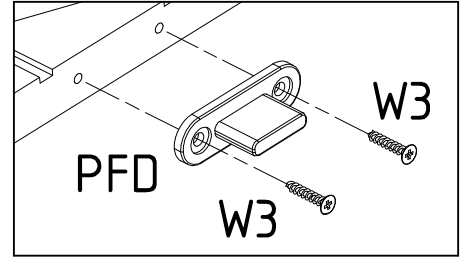
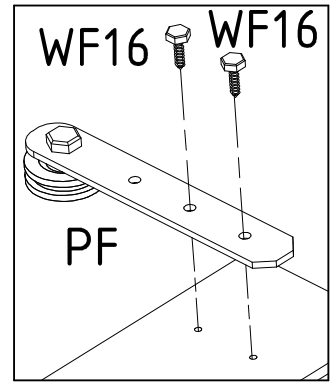
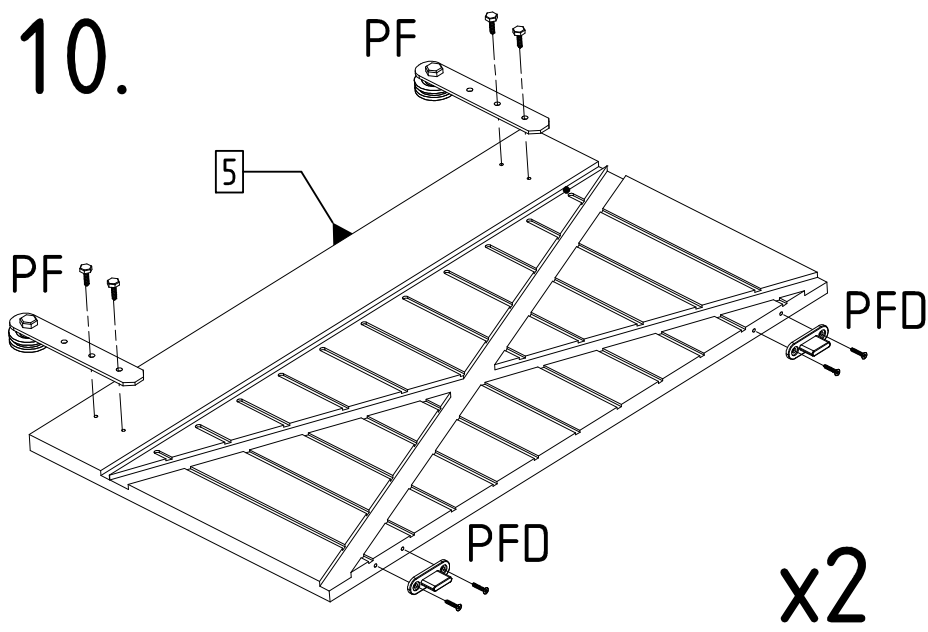


6.



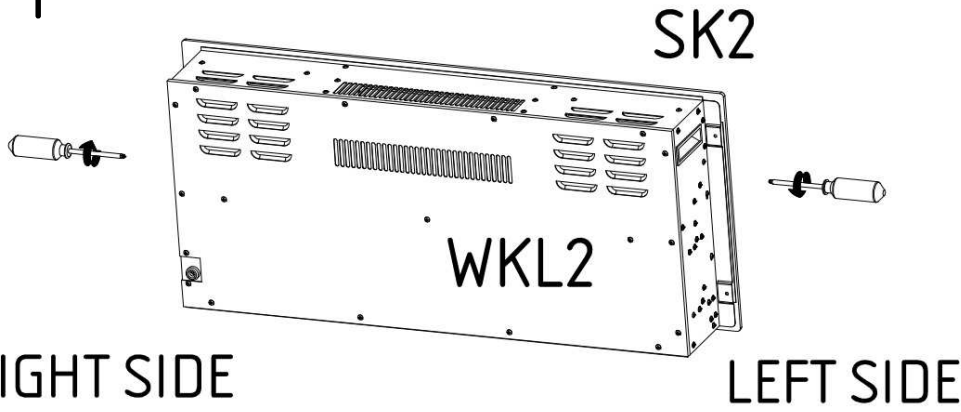


10.



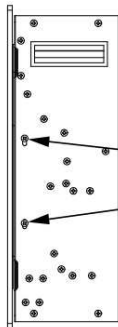
VARIANT 1

11.

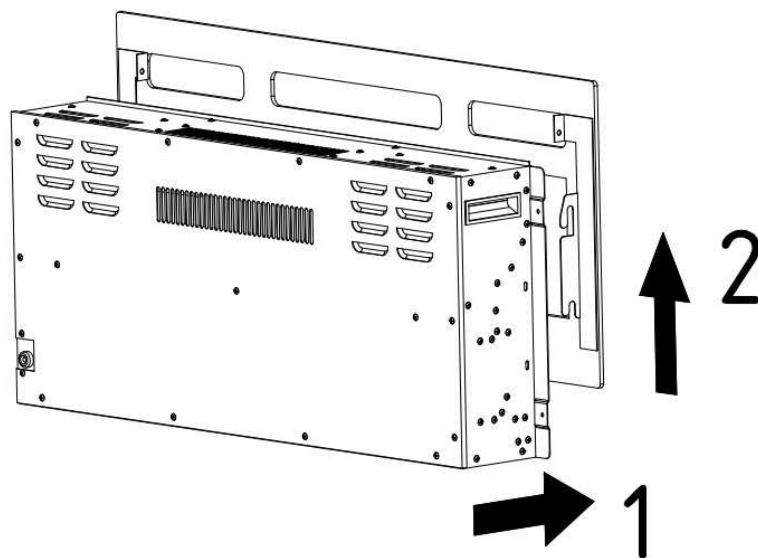
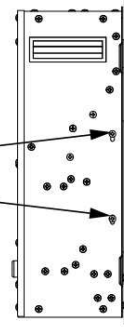


RIGHT SIDE

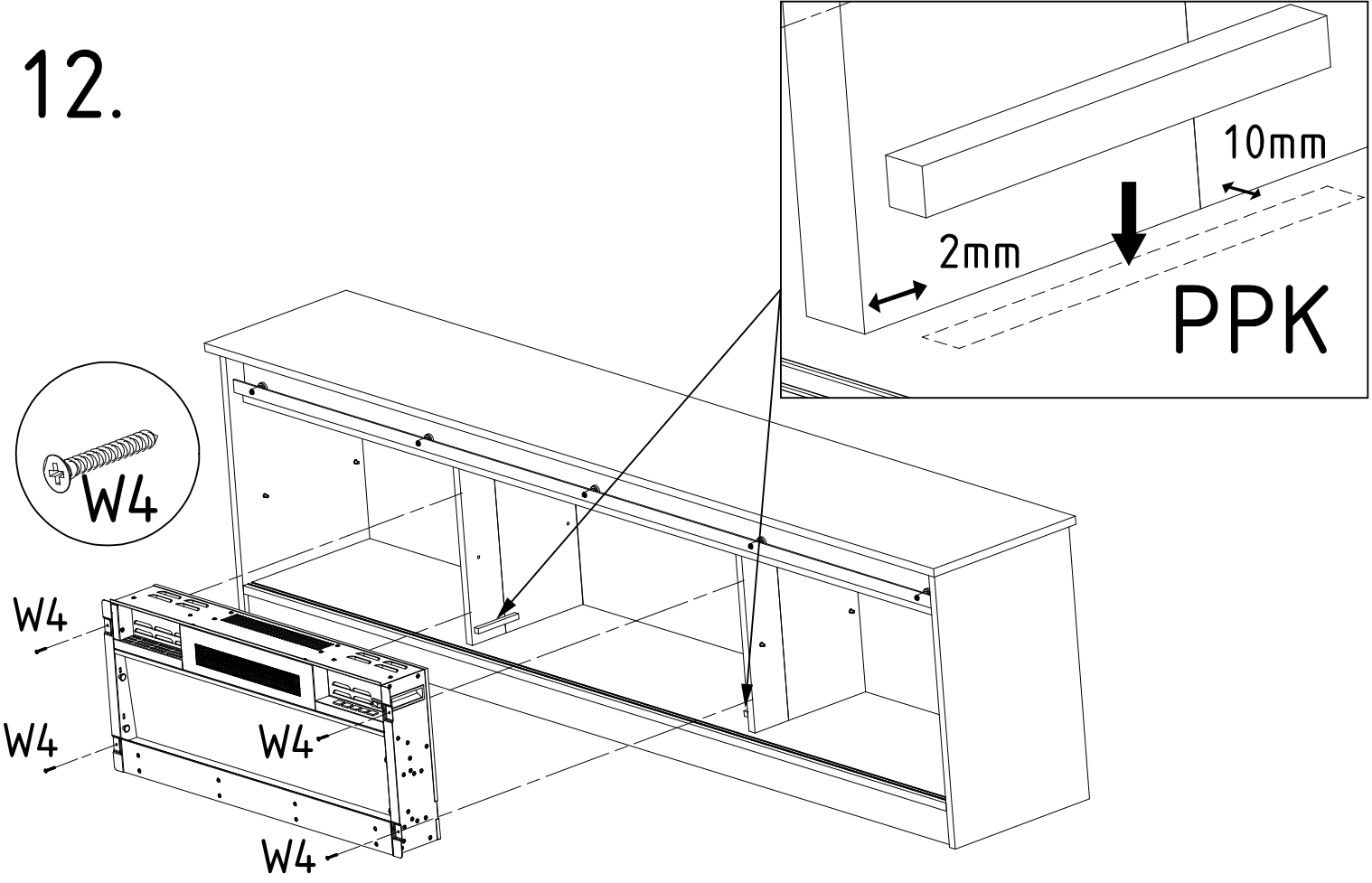
LEFT SIDE



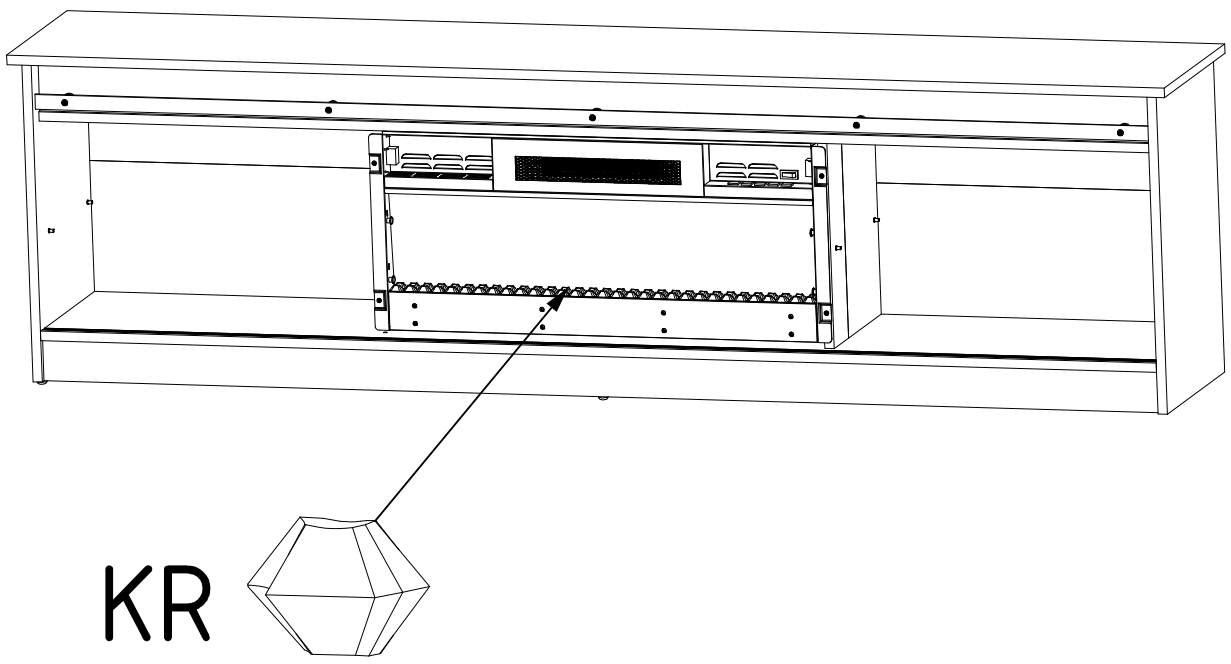
WK



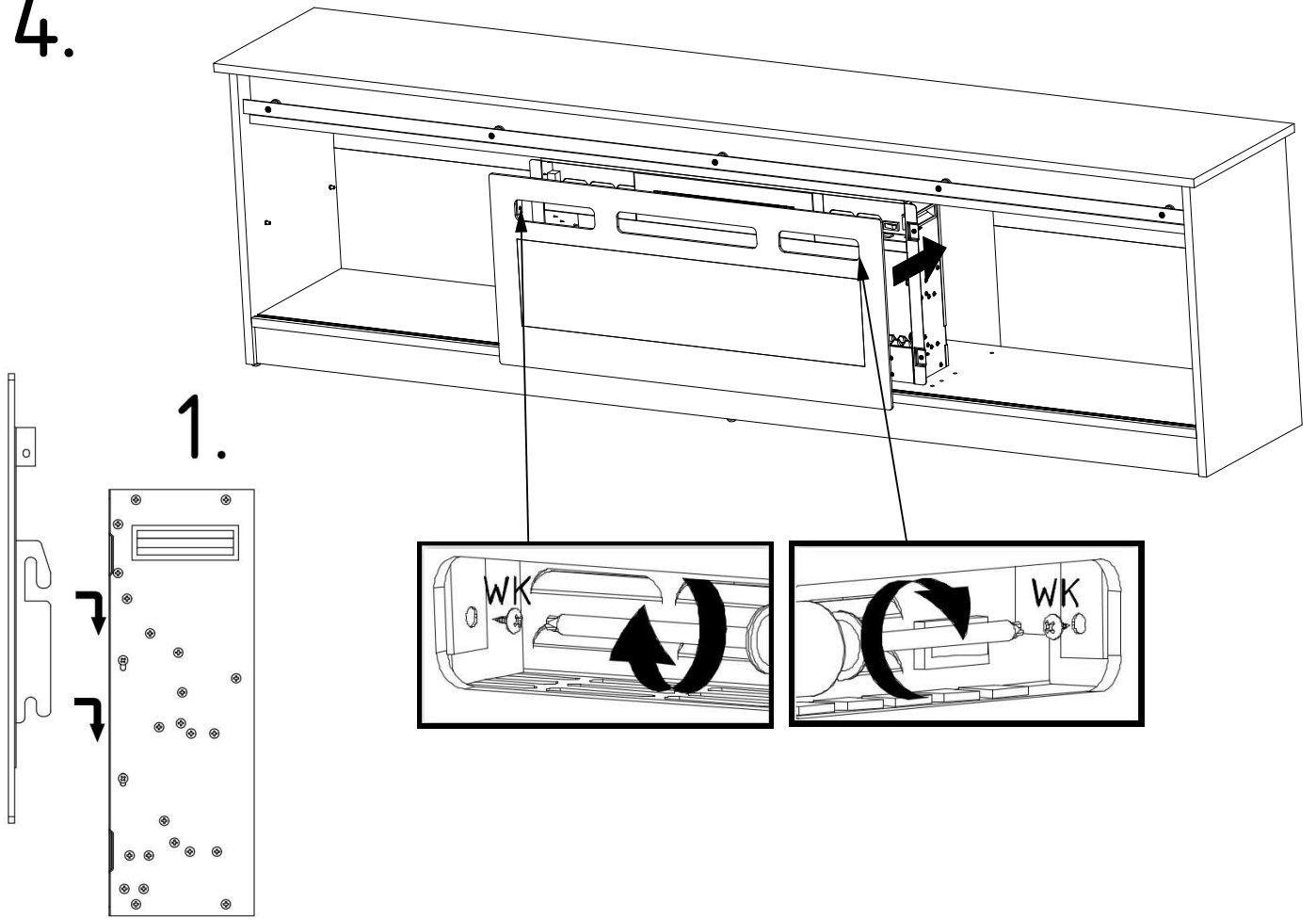
12.



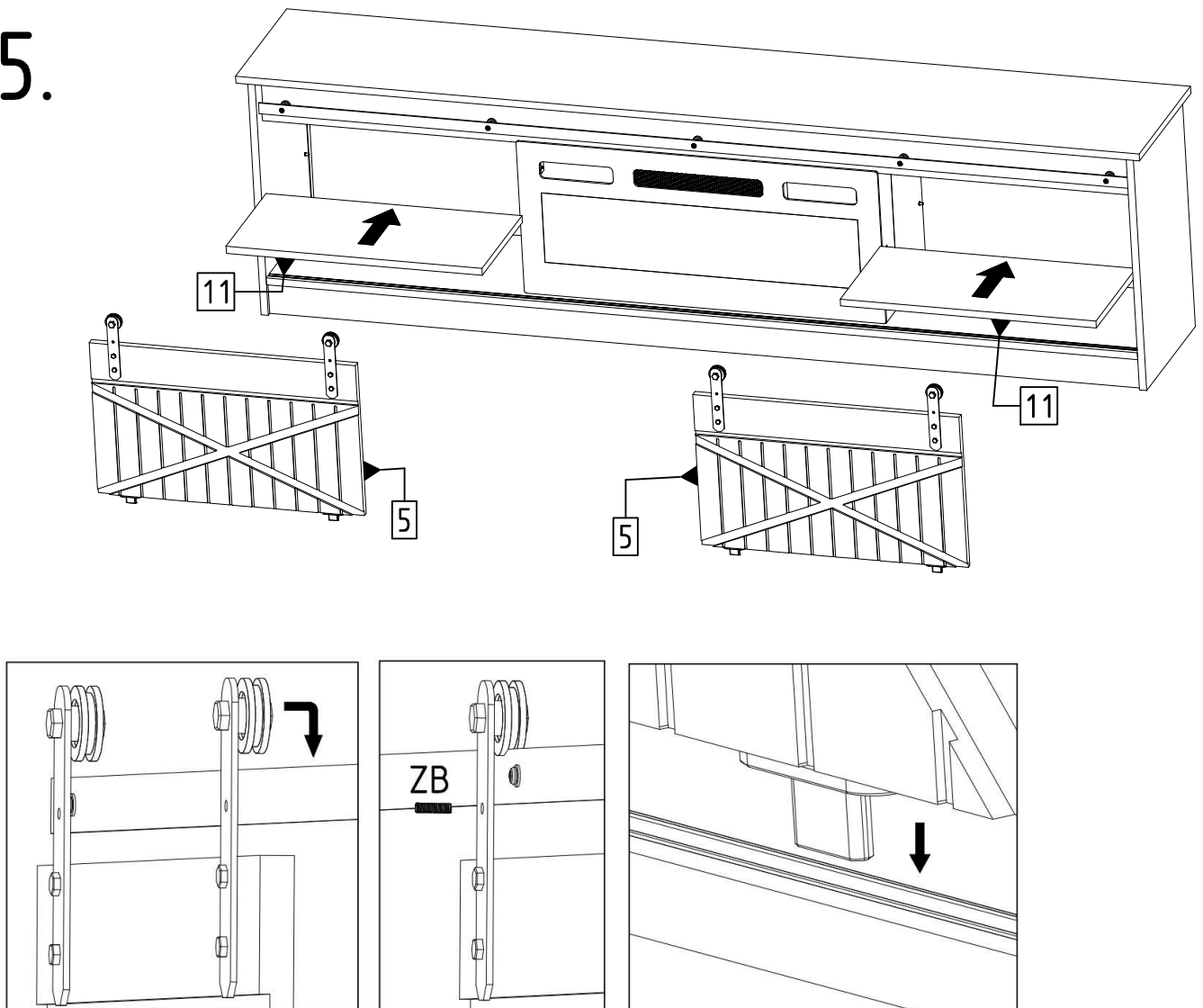
13.

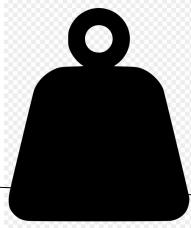


14.

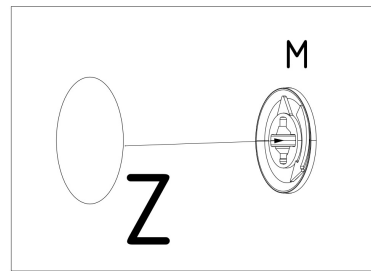
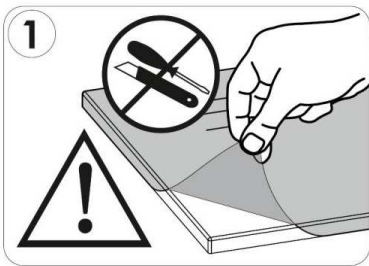
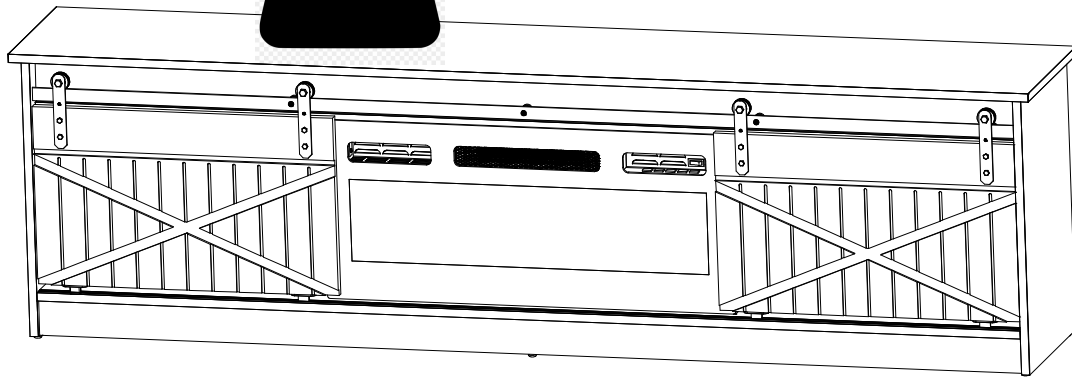


15.



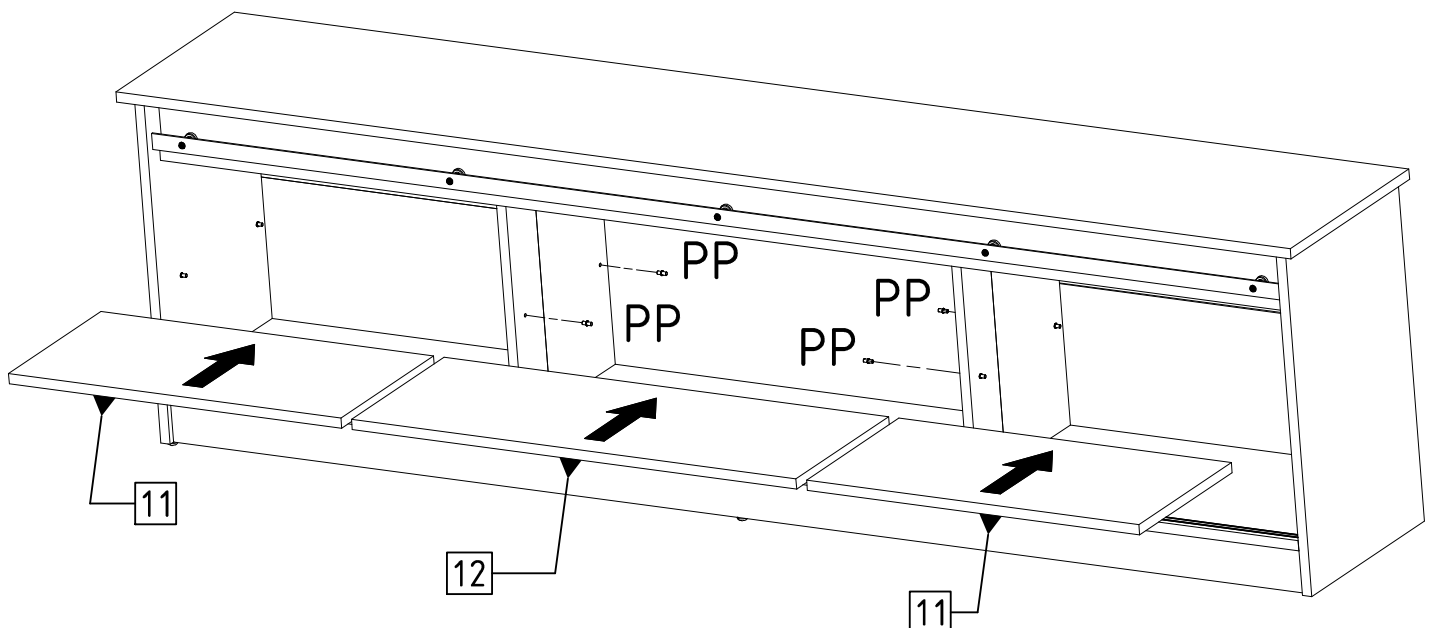
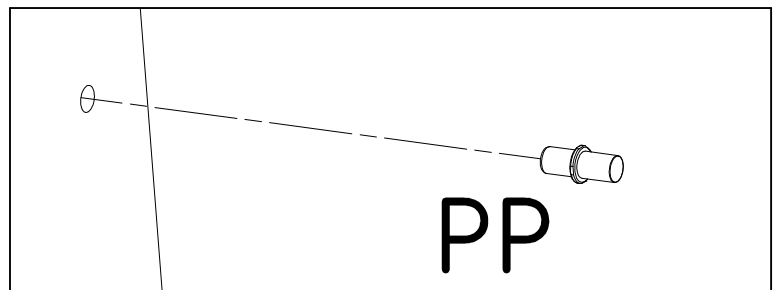


max.
15 kg

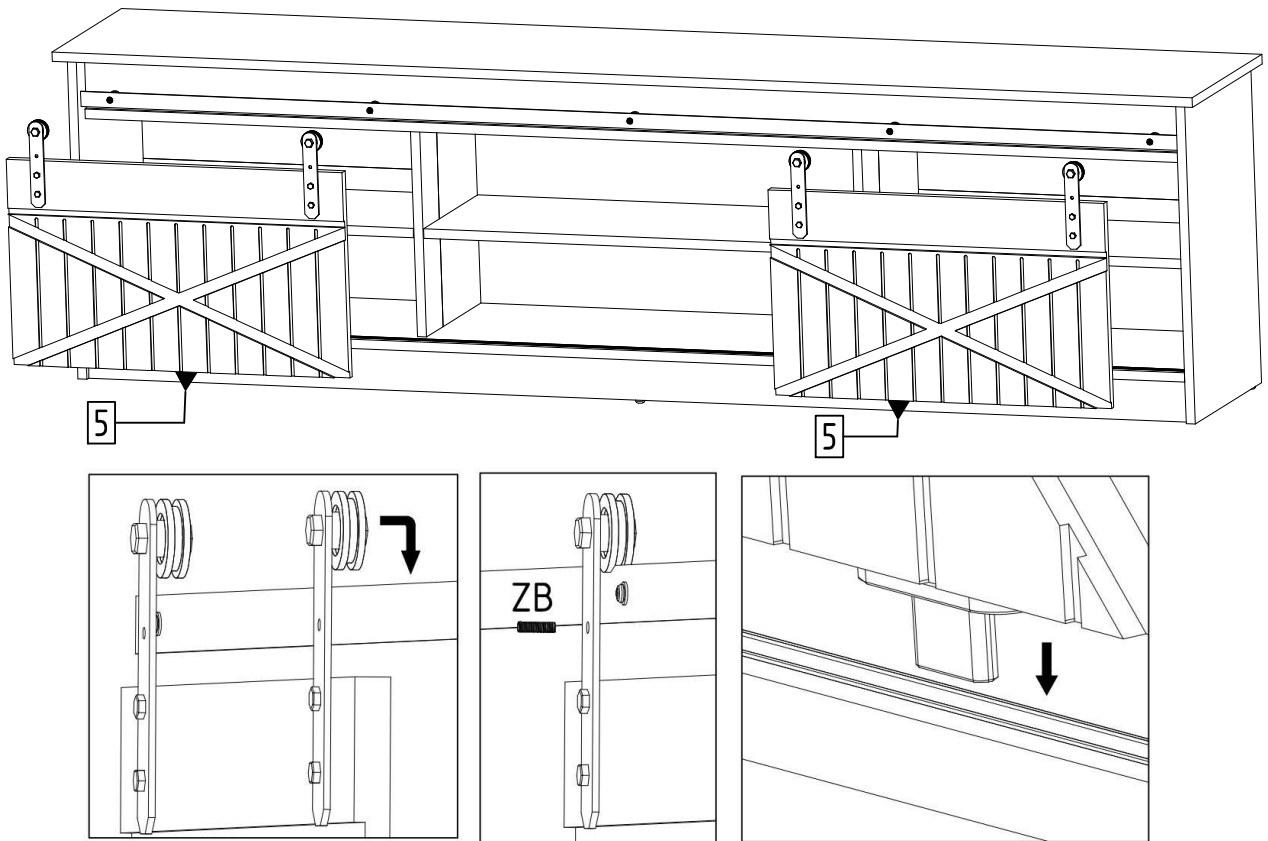


VARIANT 2

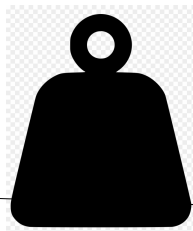
16.



17.



18.



max.
15 kg

