

Amica

OPERATING INSTRUCTIONS
INSTRUKCJA OBSŁUGI
NÁVOD K OBSLUZE
NÁVOD NA OBSLUHU

EN
PL
CS
SK

**Kitchen extractor hood / Okap nadkuchenny /
kuchyňského odsavače / kuchynského odsávača**



**OMC6451B HC
OMC9451B HC**



IO-HOO-0943/3
(12.2022)

EN- Table of contents

NOTES ON SAFETY	6
UNPACKING	9
DISPOSAL OF OLD APPLIANCE	9
OPERATION	10
COOKER HOOD CONTROLS	10
CONTROL PANEL	10
ECO BOOST	10
OFF-TIMER	10
ADJUST BRIGHTNESS	11
ADJUST LIGHTING COLOUR	11
PAIR YOUR COOKING HOB AND KITCHEN HOOD	11
CONTROL YOUR HOOD FROM THE HOB	11
REMOTE CONTROL	12
OTHER IMPORTANT INFORMATION CONCERNING THE OPERATION OF THE HOOD	13
CLEANING AND MAINTENANCE	14
MAINTENANCE	14
GREASE FILTER	14
ACTIVATED CHARCOAL FILTER	14
LIGHT	14
WARRANTY AND AFTER SALES SERVICE	15
WARRANTY	15

PL- Spis treści

WSKAZÓWKI DOTYCZĄCE BEZPIECZEŃSTWA	17
ROZPAKOWANIE	21
USUWANIE ZUŻYTYCH URZĄDZEŃ	21
OBSŁUGA	22
STEROWANIE OKAPEM	22
PANEL STEROWANIA	22
ECO BOOST	22
TIMER (OPÓŹNIONE WYŁĄCZENIE OKAPU)	22
DIMMER (REGULACJA NATĘŻENIA OŚWIETLENIA)	23
REGULACJA BARWY OŚWIETLENIA	23
PAROWANIE PŁYTY Z OKAPEM	23
STEROWANIE OKAPEM Z PŁYTY	23
PILOT ZDALNEGO STEROWANIA	24
INNE WAŻNE INFORMACJE DOTYCZĄCE OBSŁUGI OKAPU	25
CZYSZCZENIE I KONSERWACJA	26
KONSERWACJA	26
FILTR PRZECIWTŁUSZCZOWY	26
FILTR WĘGLOWY	26
OŚWIETLENIE	26
GWARANCJA, OBSŁUGA POSPRZEDAŻOWA	27
GWARANCJA	27

CS- Obsah

BEZPEČNOSTNÍ POKYNY	29
VYBALENÍ	32
LIKVIDACE OPOTŘEBOVANÝCH ZAŘÍZENÍ	32
OBSLUHA	33
OVLÁDÁNÍ DIGESTOŘE	33
OVLÁDACÍ PANEL	33
ECOBOOST	33
ČASOVAČ (ODLOŽENÉ VYPNUTÍ ODSÁVAČE)	33
DIMMER (REGULACE INTENZITY OSVĚTLENÍ)	34
NASTAVENÍ BARVY OSVĚTLENÍ	34
SPÁROVÁNÍ VARNÉ DESKY S DIGESTOŘÍ	34
OVLÁDÁNÍ DIGESTOŘE Z VARNÉ DESKY	34
DÁLKOVÝ OVLÁDAČ	35
JINÉ DŮLEŽITÉ INFORMACE O OBSLUZE ODSAVAČE	36
ČISTENÍ A ÚDRŽBA	37
ÚDRŽBA	37
PROTITUKOVÝ FILTR	37
UHLÍKOVÝ FILTR	37
OSVĚTLENÍ	37
ZÁRUKA, POPRODEJNÍ SERVIS	38
ZÁRUKA	38

SK- Obsah

BEZPEČNOSTNÉ POKYNY POUŽÍVANIA	40
ROZBALENIE	44
LIKVIDÁCIA ZARIADENÍ	44
POUŽIVANIE	45
OVLÁDANIE ODSÁVAČA	45
OVLÁDACÍ PANEL	45
ECO BOOST	45
ČASOVAČ (ONESKORENÉ VYPNUTIE ODSÁVANIA)	45
STMIEVAČ (NASTAVENIE INTENZITY OSVETLENIA)	46
NASTAVENIE FARBY OSVETLENIA	46
PÁROVANIE VARNEJ DOSKY A ODSÁVAČA	46
OVLÁDANIE ODSÁVAČA PROSTREDNÍCTVOM DOSKY	46
DIALKOVÝ OVLÁDAČ	47
INÉ DŮLEŽITÉ INFORMÁCIE TÝKAJÚCE SA POUŽÍVANIA ODSÁVAČA	48
ČISTENIE A ÚDRŽBA	49
KONZERVÁCIA	49
PROTITUKOVÝ FILTER	49
UHLÍKOVÝ FILTER	49
OSVETLENIE	49
ZÁRUKA, POPREDAJNÝ SERVIS	50
ZÁRUKA	50

Dear customer,

From now on, your daily housework will be easier than ever before. Your appliance **Amica** is exceptionally easy to use and extremely efficient. After reading these Operating Instructions, operating the appliance will be easy.

Before being packaged and leaving the manufacturer, the appliance was thoroughly checked with regard to safety and functionality.

Before using the appliance, please carefully read these Operating Instructions. By following these instructions carefully you will be able to avoid any problems in using the appliance. It is important to keep these Operating Instructions and store them in a safe place so that they can be consulted at any time.

Follow these instructions carefully in order to avoid possible accidents.

Sincerely,

Amica

NOTES ON SAFETY

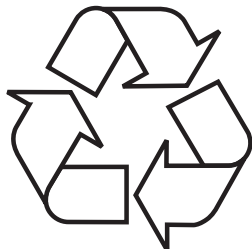
- Before using the appliance, please carefully read this manual!
- The appliance is designed for household use only.
- The manufacturer reserves the right to introduce changes, which do not affect operation of the appliance.
- The manufacturer shall not be liable for any damage or fire caused by the appliance resulting from failure to follow instructions in this manual.
- Cooker hood is designed to remove cooking odours. Do not use cooker hood for other purposes.
- Connect the cooker hood operating in extraction mode to a suitable ventilation duct (do NOT connect the cooker to smoke or flue gas ducts, which are in use). It requires installation of the air extraction duct to the outside. The length of the duct (usually a pipe of Ø 120 or 150 mm) should not be longer than 4-5 m. An air extraction duct is also required for telescopic and furniture hoods in absorption mode.
- Cooker hood operating in air recirculation mode requires the installation of an activated charcoal filter. In this case, installing an extractor duct is not required, however it is recommended to install an air guide vane (Mainly in chimney cooker hoods).
- The cooker hood features independent lighting and exhaust fan that can be operated at one of several speeds.
- Depending on the type, the hood is designed to be permanently attached to a vertical wall over a gas or electric stove (chimney and universal hoods); on the ceiling over a gas or electric stove (island hoods); on the vertical built in furniture over a gas or electric stove (telescopic and built-in hoods). Before installing, make sure that the wall/ceiling structure is strong enough to suspend the hood. Some hoods are very heavy.

- For details of the installation distance above an electric hob please refer to product technical sheet. If the installation instructions of the gas cooker specify a greater distance, this must be taken into account (Fig. 1).
- Do not leave an open flame under the hood. When the pots are removed from the burner, set the minimum flame. Always make sure that the flame does not extend outside the pot, because it causes unwanted loss of energy and a dangerous concentration of heat.
- When cooking on fat, supervise the pans constantly, because overheated fat can ignite.
- Unplug the appliance before any cleaning, replacing the filter or repair work.
- Cooker hood grease filter should be cleaned at least once a month, because the filter saturated with fat is flammable.
- Ensure adequate ventilation (air flow) if other equipment such as liquid fuel stoves or heaters are operated in the room in addition to the cooker hood. When the cooker hood is simultaneously operated with burning appliances requiring adequate fresh air from the room to work properly, their safe operation is possible if under pressure around these appliances is a maximum of 0.004 mbar (this does not apply when the cooker hood is used as an odour filter)
- Do not lean on the hood.
- The hood should be cleaned regularly both inside and out (AT LEAST ONCE A MONTH, following the indications concerning maintenance provided in this manual)..Failure to adhere to the rules concerning cleaning the hood and replacing filters results in a fire risk.
- If the power cord is damaged it should be replaced by a specialised service centre.
- Ensure that it is possible to disconnect the appliance from the mains by removing the plug or switching off the bi-polar switch.
- This appliance is not intended for use by persons (including children) with physical, mental or sensory handicaps, or by persons inexperienced or

unfamiliar with the appliance, unless under supervision or in accordance with the instructions as communicated to them by persons responsible for their safety.

- Particular attention should be paid not to allow unaccompanied children to use the appliance.
- Make sure voltage indicated on the nameplate corresponds to the local mains supply voltage.
- Before use, extend and straighten the power cord.
- Packaging materials (bags, polyethylene, polystyrene, etc.) should be kept away from children during unpacking.
- Before connecting the hood to the mains power supply always check that the power cord is properly installed and is not trapped by the appliance. Do not connect the appliance to the mains until assembly is complete.
- Do not operate your kitchen hood without the aluminium grease filters.
- It is strictly forbidden to cook dishes under on an open flame (flambé) under your kitchen hood.
- Always strictly adhere to regulations issued by the competent local authorities regarding the technical and safety requirements for fume extraction.
- Failing to tighten bolts and fasteners in accordance with these instructions may endanger life and health.
- Hanging kitchen hoods operate only in air circulation / odour absorber mode
- **WARNING!** Failure to install the screws or fixing device in accordance with these instructions may result in electrical hazards.
- This appliance can be used by children aged 8 years and older or by persons with physical, mental or sensory handicaps, or by those who are inexperienced or unfamiliar with the appliance, provided they are supervised or have been instructed how to safely use the appliance and are familiar with risks associated with the use of the appliance. Ensure that children do not play with the appliance. Cleaning and maintenance of the appliance should not be performed by children unless they are 8 years or older and are supervised by a competent person.

UNPACKING



During transportation, protective packaging was used to protect the appliance against any damage. After unpacking, please dispose of all elements of packaging in a way that will not cause damage to the environment.

All materials used for packaging the appliance are environmentally friendly; they are 100% recyclable and are marked with the appropriate symbol.

Important! Packaging materials (bags, polyethylene, polystyrene, etc.) should be kept away from children during unpacking.

DISPOSAL OF OLD APPLIANCE



In accordance with European Directive 2012/19/EU and local legislation regarding used electrical and electronic goods, this appliance is marked with the symbol of the crossed-out waste container. This marking indicates that the appliance must not be disposed of together with other household waste

after it has been used.

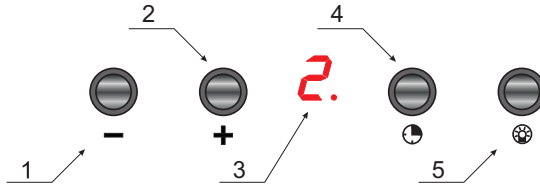
The user is obliged to hand it over to waste collection centre collecting used electrical and electronic goods. The collectors, including local collection points, shops and local authority departments provide recycling schemes.

Proper handling of used electrical and electronic goods helps avoid environmental and health hazards resulting from the presence of dangerous components and the inappropriate storage and processing of such goods.

OPERATION

Cooker hood controls

Control Panel is shown in Figure 4a, for your reference it is also shown below:



Control Panel

Touch one of the sensors to enable the desired function:

- 1- Reduce fan speed If the fan is running, touch this sensor to turn it off.
- 2- Increase fan speed If the hood is in standby mode, touch this sensor to turn on the fan.
- 3- Fan speed display (the display is not a control). The fan can run at 4 speeds.*
- 4- Off timer
- 5- Lighting on/off The lighting operates independently of hood fan.

Available fan speeds:*

- Low speed (1). Use this speed when cooking a little food with hardly any fumes.
- Medium speeds (2 and 3*). Use this speed when cooking multiple dishes at the same time with moderate amount of fumes.
- High speed (4*). Use this speed when frying or grilling, with large amount of fumes.

*Some models feature speeds 1-3.

Eco Boost

Energy saving function. The energy saving function reduces speed 4 to 3 after 5 minutes of fan operation. The function is automatic and cannot be turned off.



Off-Timer

Use off timer to turn off the hood after 10 minutes from activation. Use Off-Timer to filter the fumes out of the air after cooking. To activate Off-Timer, touch ⌚ and the fan speed will flash on the display. Press ⌚ again to cancel the Off-Timer. The hood fan will run at the selected speed. Cancelling the off-timer does not turn off the lighting.

Adjust brightness




Use this function to adjust brightness. To adjust brightness, touch and hold the Lighting sensor for about 3 seconds. Lighting brightness will be reduced. Touch sensor again to reduce brightness another level down. Repeating this a number of times will allow you to choose the desired brightness.

Adjust lighting colour

When the lighting is on, simultaneously touch and hold - and  for a few seconds. The **L** will start flashing on the display. Use the + and - sensors, set the desired colour. A single touch changes the colour by 10% or touch and hold down to smoothly adjust the lighting colour. There are 10 colours available. Touch  or do nothing for 20 seconds to confirm the colour.

Pair your cooking hob and kitchen hood

This feature allows the hood to communicate with the hob. The feature is only available in certain models.

To pair both appliances, touch  to turn on the hob and set any heat setting on one of the cooking zones. This will prevent the hob from turning off after a few seconds. While the hob waits for the pot to be placed on the cooking zone, touch and hold + and  on the hood control panel for about 3 seconds, and the dot will flash briefly on the display. Then touch and hold  on the hob for a few seconds. The appliance will pair and you will be able to control the hood from your hob.

The pairing status is indicated by a dot above the  sensor:



No dot - appliances are not paired

Flashing dot - pairing in progress



Dot steady on - appliances are paired

Control your hood from the hob

Manual mode

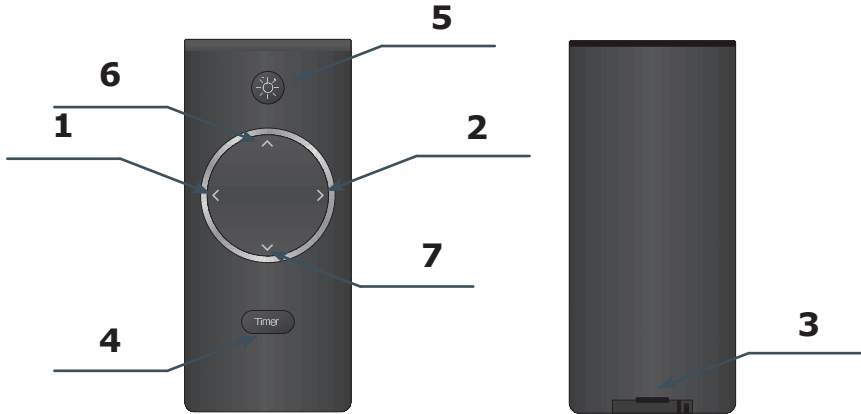
Touch   sensors on the hob to adjust fan speed. Each time you change fan speed a relevant indicator on the hood will light up. You can also change fan speed by touching the sensors on your kitchen hood.

Automatic mode

Touch the  sensor on your hob and  (Auto) will be shown by the fan speed indicator. Now fan speed will be adjusted automatically based on the heat setting of the individual cooking zones. In automatic mode, the kitchen hood lighting turns on and you can turn it off using the sensor on your kitchen hood.

Remote control

Your kitchen hood is equipped with a remote control. It is shown in Figure 4b and below:



Use remote control to control your kitchen hood. To do this, point the remote control toward the front of the hood and select the desired function:

- 1- Reduce fan speed
- 2- Increase fan speed
- 3- Battery tray
- 4- Off-timer, for description refer to the previous page.
- 5- Turn lighting on/off The lighting operates independently of hood fan.
- 6- Set the warm light temperature
- 7- Set the cold light temperature

When purchased, battery is not included with the remote control. You can purchase a single 3V CR2025 battery in any electronics store. To replace the battery, slide out the tray (item 3 in the figure) on the bottom edge of the remote control. Place the battery in the tray observing polarity. Slide the tray back in.

Other important information concerning the operation of the hood

Operation in air circulation / odour filter mode. In this mode, the filtered air returns to the room through the outlets. Install activated charcoal filter in this setting. It is recommended to install the air guide (available depending on the model, mainly in chimney cooker hoods).

Air extraction operation: When cooker hood operates in extraction mode, air is discharged outside through an extraction duct. Remove activated charcoal filter in this setting. The cooker hood is connected to the air outlet opening using a rigid or flexible extraction duct with a diameter of 150 or 120 mm, and the appropriate clamps, which must be purchased at a hardware store. The appliance should be installed by a qualified installer.

Fan speed: Lowest and medium fan speed is used in normal conditions and less intense odours, while the highest speed is used only when cooking odours are very intense, such as during frying or grilling.

Note (applies to universal hoods only): Due to the design of universal hoods you need to manually change the mode of operation. See Figure 8 for instructions on how to change the mode.

Note (only applies to telescopic and in-built kitchen hoods): Furniture and telescopic cooker hoods operating in air recirculation mode require installation of the exhaust duct. The other end of the duct should be directed to the room as it will discharge filtered air.

Note: Hanging kitchen hoods operate only in air circulation / odour absorber mode

CLEANING AND MAINTENANCE

Maintenance

Regular maintenance and cleaning of the appliance will ensure trouble-free operation of the cooker hood and extend its life. Especially make sure that the grease filter and activated charcoal filter are replaced according to manufacturer's recommendations.

- Do not use a soaked cloth, sponge, or water jet.
- Do not use solvents or alcohol, as they may tarnish lacquered surfaces.
- Do not use caustic substances, especially for cleaning stainless steel.
- Do not use a rough or abrasive cloth.
- It is recommend to use a damp cloth and a neutral detergent.

Note: After several washes in the dishwasher, the colour of the aluminium filter may change. The change of colour does not indicate improprieties or the necessity to change it.

Grease filter

For normal hood operation, grease filter should be cleaned every month in the dishwasher or by hand using a mild detergent or liquid soap.

Dismantling of grease filter is shown on Figure 5.

Acrylic filter is used in some models. This filter should be replaced at least once every 2 months or more frequently if the appliance is used intensively.

Activated charcoal filter

Charcoal filter is used only when the cooker hood is not connected to the ventilation duct. Activated charcoal filter can absorb odours until saturated. Charcoal filter is not suitable for washing or regeneration and should be replaced at least once every 3-4 months or more frequently if the appliance is used intensively.

Dismantling of charcoal filter is shown on Figure 6.

Light

Use incandescent / halogen / LED modules of the same specification as those factory-installed in the appliance. See Figure 7 for details how to replace lights. If there is no such figure in this manual, please contact authorised service to replace the lighting module.

WARRANTY AND AFTER SALES SERVICE

Warranty

The manufacturer shall not be held liable for any damage caused by improper use of the product.

Service

- The manufacturer recommends that all repairs and adjustments be carried out by the Factory Service Technician or the Manufacturer's Authorized Service Point. For safety reasons, repairs should be referred to professionals.
- Repairs carried out by unqualified persons may seriously endanger the appliance user.
- The minimum warranty period for the appliance offered by the manufacturer, importer or authorized representative is given in the warranty card.
- The warranty shall be void if you make any independent adaptations or alterations, tamper with seals or other appliance safety devices or its parts or interfere with the appliance contrary to operating instructions.

In the event of appliance malfunction, request assistance or repair.

If your appliance needs repair, please contact the service centre. Please see website for address and contact details of our service centre. Before contacting us, please have ready the appliance serial number, which can be found on the identification sticker: For your convenience, please write it down below:

--	--	--	--	--	--	--	--	--	--	--	--	--	--	--	--	--	--	--	--

Certificate of compliance CE and UKCA

The Manufacturer hereby declares that this product complies with the general requirements pursuant to the following European Directives and analogous UK requirements:

- The Low Voltage Directive 2014/35/EC / Electrical Equipment (Safety) Regulations 2016.
- Electromagnetic Compatibility Directive 2014/30/EC / Electromagnetic Compatibility Regulations 2016.
- ErP Directive 2009/125/EC / The Ecodesign for Energy-related Products Regulations 2010 (as amended) for the applicable implementing measures which apply in Great Britain and Northern Ireland, respectively.

and therefore the product has been marked with **CE** and **UKCA** symbols and the Declaration of Conformity, the Manufacturer has drawn up the declaration and is available to the competent authorities regulating the market.

Szanowny Kliencie

Od dziś codzienne obowiązki staną się prostsze niż kiedykolwiek. Urządzenie **Amica** to połączenie wyjątkowej łatwości obsługi i doskonałej efektywności. Po przeczytaniu instrukcji, obsługa nie będzie problemem.

Sprzęt, który opuścił fabrykę był dokładnie sprawdzony przed zapakowaniem pod względem bezpieczeństwa i funkcjonalności na stanowiskach kontrolnych.

Prosimy Państwa o uważną lekturę instrukcji obsługi przed uruchomieniem urządzenia. Przestrzeganie zawartych w niej wskazówek uchroni Państwa przed niewłaściwym użytkowaniem. Instrukcję należy zachować i przechowywać tak, aby mieć ją zawsze pod ręką.

Należy dokładnie przestrzegać instrukcji obsługi w celu uniknięcia nieszczęśliwych wypadków.

Z poważaniem

Amica

WSKAZÓWKI DOTYCZĄCE BEZPIECZEŃSTWA

- Okap należy używać dopiero po przeczytaniu tej instrukcji
- Urządzenie przeznaczone jest wyłącznie do użytku domowego.
- Producent zastrzega sobie możliwość dokonywania zmian niewpływających na działanie urządzenia.
- Producent nie ponosi żadnej odpowiedzialności za ewentualne szkody lub pożary spowodowane przez urządzenie wynikające z nieprzestrzegania zaleceń podanych w niniejszej instrukcji.
- Okap nadkuchenny służy do usuwania oparów kuchennych. Nie należy go używać do innych celów.
- Okap pracujący w trybie wyciągu należy podłączyć do odpowiedniego kanału wentylacyjnego (nie podłączać do kanałów kominowych, dymowych lub spalinowych, będących w eksploatacji). Okap wymaga zainstalowania przewodu odprowadzającego powietrze na zewnątrz. Długość przewodu (najczęściej rura \varnothing 120 mm lub 150 mm) nie powinna być dłuższa niż 4-5 m. Przewód odprowadzający powietrze jest również wymagany przy okapach teleskopowych i meblowych w trybie pochłaniacza.
- Okap pracujący w trybie pochłaniacza wymaga zainstalowania filtra z węglem aktywnym. W tym przypadku nie wymaga się instalowania przewodu odprowadzającego powietrze na zewnątrz, zaleca się natomiast montaż kierownicy wydmuchu powietrza (występuje głównie w okapach kominowych).
- Okap posiada niezależne oświetlenie oraz wentylator wyciągowy z możliwością ustawienia jednej z kilku prędkości obrotowych.
- W zależności od wersji urządzenia, okap jest przeznaczony do trwałego zamocowania na pionowej

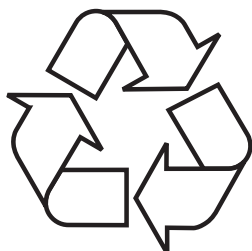
ścianie ponad kuchenką gazową lub elektryczną (okapy kominowe i uniwersalne); na suficie ponad kuchenką gazową lub elektryczną (okapy wyspowe); na pionowej ścianie w zabudowie meblowej ponad kuchenką gazową lub elektryczną (okapy teleskopowe i do zabudowy). Przed montażem należy się upewnić czy konstrukcja ściany / sufitu jest odpowiednia do utrzymania okapu. Niektóre modele okapów są bardzo ciężkie.

- Wysokość montażu urządzenia nad płytą elektryczną podana jest w karcie produktu (specyfikacji technicznej urządzenia). Jeżeli w instrukcjach instalowania urządzeń gazowych podano większą odległość, należy to uwzględnić (Rys. 1);
- Pod okapem kuchennym nie wolno pozostawiać odkrytego płomienia, podczas zdejmowania naczyń znad palnika, należy ustawić minimalny płomień. Zawsze należy sprawdzać czy płomień nie wykracza poza naczynie, gdyż powoduje to niepożądane straty energii i niebezpieczną koncentrację ciepła.
- Potrawy przygotowywane na tłuszczach powinny być stale nadzorowane, gdyż przegrzany tłuszcz może się łatwo zapalić.
- Przed każdą operacją czyszczenia, wymianą filtra lub przed podjęciem prac naprawczych, należy wyjąć wtyczkę urządzenia z gniazdka.
- Filtr przeciw tłuszczowy do okapu kuchennego należy czyścić, co najmniej, raz na 1 miesiąc, gdyż nasycony tłuszczem jest łatwopalny.
- Jeżeli w pomieszczeniu, oprócz okapu, eksploatuje się inne urządzenia o zasilaniu nieelektrycznym (np. piece na paliwa ciekłe, grzejniki przepływowe, termy), należy zadbać o wystarczającą wentylację (dopływ powietrza). Bezpieczna eksploatacja jest możliwa, gdy przy jednoczesnej pracy okapu i urządzeń spalających, zależnych od powietrza w pomieszczeniu, w miejscu ustawienia tych urządzeń panuje podciśnienie najwyżej 0,004 milibara (ten punkt nie obowiązuje, gdy okap nadkuchenny jest użytkowany jako pochłaniacz zapachów).

- Okap nie powinien służyć jako płaszczyzna podparcia dla osób znajdujących się w kuchni.
- Okap powinien być często czyszczony zarówno na zewnątrz jak i od wewnątrz (PRZYNAJMNIEJ RAZ W MIESIĄCU, z zachowaniem wskazówek dotyczących konserwacji podanych w niniejszej instrukcji). Nieprzestrzeganie zasad dotyczących czyszczenia okapu oraz wymiany filtrów powoduje powstanie zagrożenia pożarem.
- Jeżeli przewód zasilający ulegnie uszkodzeniu, to powinien być wymieniony w specjalistycznym zakładzie naprawczym.
- Należy zapewnić możliwość odłączenia urządzenia od sieci elektrycznej, poprzez wyjęcie wtyczki lub wyłączenie wyłącznika dwubiegunowego.
- Niniejszy sprzęt nie jest przeznaczony do użytkowania przez osoby (w tym dzieci) o ograniczonej zdolności fizycznej, czuciowej lub psychicznej, lub osoby o braku doświadczenia lub znajomości sprzętu, chyba że odbywa się to pod nadzorem lub zgodnie z instrukcją użytkowania sprzętu, przekazaną przez osoby odpowiadające za ich bezpieczeństwo.
- Należy zwrócić szczególną uwagę, aby z urządzenia nie korzystały pozostawione bez opieki dzieci.
- Sprawdzić, czy napięcie podane na tabliczce znamionowej odpowiada miejscowym parametrom zasilania.
- Przed montażem rozwinąć i wyprostować przewód sieciowy.
- Materiały opakowaniowe (woreczki polietylenowe, kawałki styropianu itp.) należy w trakcie rozpakowywania trzymać z dala od dzieci.
- Przed podłączeniem okapu do zasilania sieciowego należy zawsze skontrolować czy kabel zasilania został prawidłowo zainstalowany i NIE został przygnieciony przez okap w trakcie czynności montażowych. Nie podłączać urządzenia do sieci elektrycznej przed ukończeniem montażu.
- Zabrania się użytkować okap bez zamontowanych aluminiowych filtrów przeciwłuszczywych.

- Surowo zabrania się przygotowywania pod okapem potraw z użyciem otwartego ognia (flambrowanie).
- W zakresie koniecznych do zastosowania środków technicznych i bezpieczeństwa dotyczących odprowadzania spalin należy ściśle przestrzegać przepisów wydanych przez kompetentne władze lokalne.
- Niedokręcenie śrub oraz elementów mocujących zgodnie z niniejszymi instrukcjami może spowodować zagrożenia zdrowia i życia.
- Okapy wiszące działają tylko w trybie pochłaniania zapachów
- UWAGA! Instalacja śrub i elementów mocujących niezgodnie z instrukcją może spowodować zagrożenia elektryczne.
- Montaż okapu wykonany w sposób niezgodny z rysunkami i zaleceniami niniejszej instrukcji będzie miał wpływ na jakość pracy urządzenia, może być również podstawą do nieuznania reklamacji.
- To urządzenie może być używane przez dzieci w wieku 8 lat i starsze, przez osoby o ograniczonej zdolności fizycznej, czuciowej lub psychicznej oraz osoby o braku doświadczenia lub znajomości sprzętu, gdy są one nadzorowane lub zostały poinstruowane na temat korzystania z urządzenia w sposób bezpieczny i znają zagrożenia związane z użytkowaniem urządzenia. Dzieci nie powinny bawić się urządzeniem. Czyszczenie i konserwacja urządzenia nie powinna być wykonywana przez dzieci chyba że ukończyły 8 lat i są nadzorowane przez odpowiednią osobę.

ROZPAKOWANIE



Urządzenie na czas transportu zostało zabezpieczone przed uszkodzeniem. Po rozpakowaniu urządzenia prosimy Państwa o usunięcie elementów opakowania w sposób niezagrażający środowisku.

Wszystkie materiały zastosowane do opakowania są nieszkodliwe dla środowiska naturalnego, w 100% nadają się do odzysku i oznakowano je odpowiednim symbolem.

Uwaga! Materiały opakowaniowe (woreczki polietylenowe, kawałki styropianu itp.) należy w trakcie rozpakowywania trzymać z dala od dzieci.

USUWANIE ZUŻYTYCH URZĄDZEŃ



To urządzenie jest oznaczone zgodnie z Dyrektywą Europejską 2012/19/UE oraz polską Ustawą o zużyтым sprzęcie elektrycznym i elektronicznym symbolem przekreślonego kontenera na odpady. Takie oznakowanie informuje, że sprzęt ten, po okresie jego użytkowania, nie może być umieszczany łącznie z innymi odpadami pochodzącymi z gospodarstwa domowego.

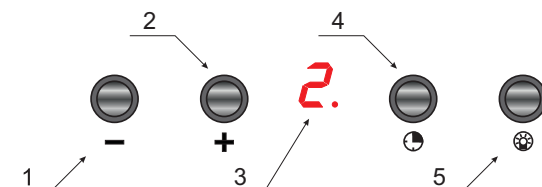
Użytkownik jest zobowiązany do oddania go prowadzącym zbieranie zużytego sprzętu elektrycznego i elektronicznego. Prowadzący zbieranie, w tym lokalne punkty zbiórki, sklepy oraz gminne jednostki, tworzą odpowiedni system umożliwiający oddanie tego sprzętu.

Właściwe postępowanie ze zużyтым sprzętem elektrycznym i elektronicznym przyczynia się do uniknięcia szkodliwych dla zdrowia ludzi i środowiska naturalnego konsekwencji, wynikających z obecności składników niebezpiecznych oraz niewłaściwego składowania i przetwarzania takiego sprzętu.

OBSŁUGA

Sterowanie okapem

Panel sterowania okapu jest przedstawiony na rysunku 4a, dla przypomnienia znajduje się on również poniżej:



Panel sterowania

Aby włączyć wybraną funkcję, naciśnij jeden z poniższych przycisków:

- 1- Zmniejsza prędkość silnika o poziom niżej. Jeżeli silnik okapu pracuje, przyciskiem tym można go wyłączyć
- 2- Zwiększa prędkość silnika o poziom wyżej. Jeżeli okap jest w trybie czuwania, przyciskiem tym można włączyć silnik okapu.
- 3- Wyświetlacz wskazujący wybrany bieg (Wyświetlacz nie jest sensorem ani przyciskiem). Okap jest wyposażony w 4 biegi*.
- 4- Funkcja opóźnienia wyłączenia okapu (Timer)
- 5- Włączenie lub wyłączenie oświetlenia. Oświetlenie działa niezależnie od ustawionego biegu.

Możliwe do ustawienia biegi*:


- Bieg najniższy (1). Stosuj ten bieg przy niezbyt dużej ilości oparów.
- Biegi średnie (2 i 3*). Stosuj ten bieg przy średniej ilości oparów, przykładowo podczas gotowania wielu potraw jednocześnie.
- Bieg najwyższy (4*). Stosuj ten bieg przy największej ilości oparów, przykładowo podczas smażenia czy grillowania.


* Wybrane modele posiadają zakres prędkości 1-3.

Eco Boost

Funkcja oszczędzania energii. Polega na redukcji biegu 4 na bieg 3 po 5 minutach pracy. Funkcja uruchamiana jest automatycznie i nie można jej wyłączyć.

Timer (opóźnione wyłączenie okapu)



Funkcja ta służy do opóźnionego wyłączenia się silnika okapu (po 10 minutach od aktywacji funkcji). Użyj tej funkcji po zakończonym gotowaniu, by oczyścić powietrze z oparów w pomieszczeniu. Aby aktywować tą funkcję, podczas pracy okapu na dowolnym biegu naciśnij przycisk , na wyświetlaczu zacznie migać cyfra biegu. Aby wyłączyć

funkcję opóźnienia wcześniej, naciśnij ponownie przycisk . Okap będzie dalej pracował na wcześniej ustawionym biegu. Funkcja opóźnionego wyłączenia silnika okapu nie spowoduje wyłączenia oświetlenia.

Dimmer (regulacja natężenia oświetlenia)




Dzięki tej funkcji możesz regulować natężenie oświetlenia. W tym celu, podczas włączonego oświetlenia dotknij i przytrzymaj sensor oświetlenia przez około 3 sekundy. Oświetlenie zmniejszy swoje natężenie, dotknij ponownie sensor oświetlenia aby zmniejszyć natężenie o kolejny poziom. Kilkakrotne wykonanie tej czynności pozwoli Ci na dobór odpowiedniego natężenia oświetlenia.


Regulacja barwy oświetlenia

Przy włączonym oświetleniu dotknij i przytrzymaj przez kilka sekund jednocześnie sensory - oraz . Na wyświetlaczu zaczną migać L. Sensorami + oraz - ustaw odpowiednią barwę, Pojedyncze kliknięcie zmienia barwę o 10%, przytrzymanie pozwala na płynną regulację oświetlenia. Dostępne jest 10 poziomów barwy. Dotknij sensor , lub nie wykonuj żadnych operacji przez 20 sekund aby zatwierdzić barwę.

Parowanie płyty z okapem

Funkcja ta pozwala na komunikację okapu z płytą. Funkcja ta działa tylko z określonymi modelami.

Aby sparować oba urządzenia, włącz płytę sensorem  oraz ustaw dowolną moc na jednym z pól grzejnych. Dzięki temu płyta nie przejdzie w stan czuwania po upływie kilku sekund. W czasie gdy płyta oczekuje umieszczenia garnka na polu, na panelu okapu dotknij i przytrzymaj sensory + oraz  przez około 3 sekundy, na wyświetlaczu zaczną szybko migać kropka przez chwilę. Po tym czasie dotknij i przytrzymaj na płycie sensor  przez kilka sekund. Urządzenia się sparują i pojawi się możliwość sterowania okapem z poziomu płyty.

Stan połączenia jest sygnalizowany przez kropkę na płycie (nad sensorem ):

Brak kropki - urządzenia nie są sparowane

Migająca kropka - tryb parowania

Kropka się świeci - urządzenia są sparowane

Sterowanie okapem z płyty

Tryb ręczny

Na płycie dotknij kilkakrotnie sensorów   aby zmienić prędkość turbiny. Każda zmiana biegu będzie powodowała zapalenie się odpowiedniego symbolu na okapie. Dotykając sensorów na okapie również zmienisz prędkość turbiny.

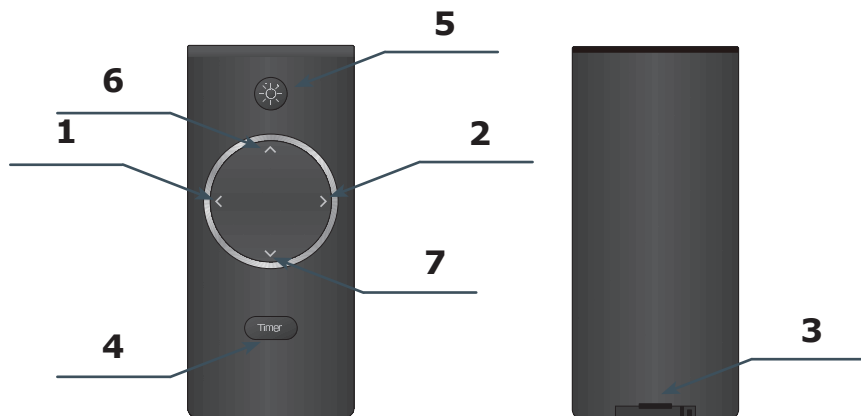
Tryb automatyczny

Na płycie dotknij sensor , obok wyświetlacza biegu pojawi się , teraz

bieg okapu zmienia się automatycznie w zależności od mocy ustawionej na poszczególnych polach grzewczych. W trybie automatycznym przy aktywacji biegu zapala się oświetlenie okapu, możesz je wyłączyć używając odpowiedniego sensora na okapie.

Pilot zdalnego sterowania

Na wyposażeniu okapu znajduje się pilot zdalnego sterowania, jest on przedstawiony na rysunku 4b, dla przypomnienia znajduje się on również poniżej:



Okapem można sterować również za pomocą pilota zdalnego sterowania. W tym celu skieruj front pilota w stronę okapu i wybierz odpowiednią funkcję:

- 1- Zmniejsza bieg o poziom niżej
- 2- Zwiększa bieg o poziom wyżej
- 3- tacka na baterię
- 4- Funkcja opóźnienia wyłączenia okapu (Timer)- opis funkcji znajduje się na poprzedniej stronie
- 5- Włącz lub wyłącz oświetlenie. Oświetlenie działa niezależnie od ustawionego biegu.
- 6- Zmiana barwy oświetlenia na ciepłe
- 7- Zmiana barwy oświetlenia na zimne

Pilot fabrycznie nie jest wyposażony w baterię. Należy ją nabyć w odpowiednich placówkach handlowych- Bateria CR2025 3V (jedna sztuka). Aby wymienić baterię wysuń tackę (pozycja 3 na rysunku) znajdującą się w dolnej krawędzi pilota. Umieść na niej baterię zwracając uwagę na odpowiednie oznaczenia biegunów. Wsuń tackę z powrotem.

Inne ważne informacje dotyczące obsługi okapu

Praca jako pochłaniacz: W tej opcji pracy przefiltrowane powietrze wraca z powrotem do pomieszczenia poprzez otwory do tego przystosowane. Przy tym ustawieniu należy zamontować filtr węglowy oraz zaleca się zamontować kierownicę wydmuchu powietrza (dostępność w zależności od modelu, występuje głównie w okapach kominowych).

Praca jako wyciąg: W trakcie wyciągowego trybu pracy okapu powietrze odprowadzane jest na zewnątrz specjalnym przewodem. Przy tym ustawieniu należy usunąć ewentualny filtr węglowy. Okap jest podłączony do otworu odprowadzającego powietrze na zewnątrz za pomocą sztywnego lub elastycznego przewodu o średnicy 150 mm lub 120 mm i odpowiednich zacisków do przewodów, które należy nabyć w placówkach z materiałami instalacyjnymi. Podłączenie należy zlecić wykwalifikowanemu instalatorowi.

Prędkość wentylatora: Prędkości najniższą i średnią stosuje się przy normalnych warunkach oraz małym natężeniu oparów, natomiast prędkość najwyższą stosować tylko przy dużym stężeniu oparów kuchennych, np. podczas smażenia, czy grillowania.

Uwaga (dotyczy tylko okapów uniwersalnych): Konstrukcja okapów uniwersalnych wymaga ręcznej zmiany trybu pracy okapu. Sposób zmiany tego trybu zobrazowany jest na rysunku 8.

Uwaga (dotyczy tylko okapów meblowych i teleskopowych): Okapy meblowe i teleskopowe pracujące w trybie pochłaniacza wymagają montażu rury odprowadzającej powietrze. Drugi koniec rury należy skierować na pomieszczenie, przez nią będzie odprowadzane przefiltrowane powietrze.

Uwaga: Okapy wiszące pracują tylko w trybie pochłaniacza.

CZYSZCZENIE I KONSERWACJA

Konserwacja

Regularna konserwacja i czyszczenie urządzenia zapewni dobrą i bezawaryjną pracę okapu oraz przedłuży jego żywotność. Należy zwracać szczególną uwagę, aby filtr przeciwłuszczowy i filtr z węglem aktywnym były czyszczone i wymieniane zgodnie z zaleceniami producenta.

- Nie używać namoczonych szmatek lub gąbek ani strumienia wody.
- Nie stosować rozpuszczalników ani alkoholu, ponieważ mogą one zmatowić lakierowane powierzchnie.
- Nie stosować substancji żrących, zwłaszcza do czyszczenia powierzchni wykonanych ze stali nierdzewnej.
- Nie używać twardej, szorstkiej szmatki
- Zaleca się stosowanie wilgotnej szmatki oraz obojętnych środków myjących.

Uwaga: Po kilku myciach w zmywarce, kolor filtra aluminiowego może ulec zmianie. Zmiana koloru nie oznacza nieprawidłowości oraz konieczności jego wymiany.

Filtr przeciwłuszczowy

Filtr przeciwłuszczowy powinien być czyszczony co jeden miesiąc podczas normalnej pracy okapu, w zmywarce lub ręcznie przy użyciu delikatnego detergentu lub mydła w płynie.

Demontaż filtra przeciwłuszczowego pokazany jest na rysunku 5.

W niektórych modelach zastosowany jest filtr akrylowy. Należy go wymieniać co najmniej raz na 2 miesiące lub częściej w wypadku wyjątkowo intensywnego użycia.

Filtr węglowy

Filtr węglowy stosuje się wyłącznie wtedy, kiedy okap nie jest podłączony do przewodu wentylacyjnego. Filtr z węglem aktywnym posiada zdolność pochłaniania zapachów aż do swego nasycenia. Nie nadaje się także do mycia ani do regeneracji i powinien być wymieniany, co najmniej raz na 3-4 miesiące lub częściej w wypadku wyjątkowo intensywnego użycia.

Demontaż filtra węglowego pokazany jest na rysunku 6.

Oświetlenie

Należy stosować żarówki / halogeny / moduły diodowe o takich samych parametrach jak fabrycznie zamontowane w urządzeniu. Wymiana oświetlenia jest pokazana na rysunku 7. Jeżeli rysunek nie występuje w niniejszej instrukcji, wymiany modułu oświetlenia może dokonać jedynie autoryzowany serwis.

GWARANCJA, OBSŁUGA POSPRZEDAŻOWA

Gwarancja

Świadczenia gwarancyjne wg karty gwarancyjnej. Producent nie odpowiada za jakiegokolwiek szkody spowodowane nieprawidłowym postępowaniem z wyrobem.

Serwis

- Producent sprzętu sugeruje, by wszelkie naprawy i czynności regulacyjne były wykonywane przez Serwis Fabryczny lub Serwis Autooryzowany producenta. Ze względu na bezpieczeństwo nie należy naprawiać urządzenia we własnym zakresie.
- Naprawy, wykonywane przez osoby nie posiadające wymaganych kwalifikacji mogą stanowić poważne niebezpieczeństwo dla użytkownika urządzenia.
- Minimalny okres obowiązywania gwarancji na urządzenie oferowane przez producenta, importera lub upoważnionego przedstawiciela jest podany w karcie gwarancyjnej.
- Urządzenie traci gwarancję w wyniku samowolnych adaptacji, przeróbek, naruszenia plomb lub innych zabezpieczeń sprzętu lub jego części oraz innych samowolnych ingerencji w sprzęt niezgodnych z instrukcją obsługi.

Zgłoszenie naprawy oraz pomoc w razie usterki

Jeżeli urządzenie wymaga naprawy, należy skontaktować się z serwisem. Dane adresowe serwisu jak i kontaktowy numer telefonu znajduje się w karcie gwarancyjnej. Przed kontaktem należy przygotować numer seryjny urządzenia, znajduje się on na tabliczce znamionowej. Dla wygody przepis� go poniżej:

--	--	--	--	--	--	--	--	--	--	--	--	--	--	--	--

Oświadczenie producenta

Producent deklaruje niniejszym, że wyrób ten spełnia zasadnicze wymagania wymienionych poniżej dyrektyw europejskich:

- **Dyrektywy niskonapięciowej 2014/35/EU**
- **Dyrektywy kompatybilności elektromagnetycznej 2014/30/EU**
- **Dyrektywy ekoprojektowania 2009/125/EC**
- **Dyrektywy RoHS 2011/65/EU**

i dlatego wyrób został oznakowany **CE** oraz została wystawiona dla niego deklaracja zgodności udostępniana organom nadzorującym rynek.

Vážený kliente,

počínaje dnešním dnem jsou každodenní povinnosti jednodušší než kdykoli jindy. Zařízení **Amica** je spojením výjimečně snadné obsluhy a vynikající efektivity. Po přečtení návodu nebudete mít problém s obsluhou.

Zařízení, které opustilo továrnu, bylo důkladně zkontrolováno před zabalením z hlediska bezpečnosti a funkčnosti na kontrolních stanovištích.

Před uvedením zařízení do provozu si pozorně přečtěte návod k obsluze. Dodržováním pokynů uvedených v návodu předejdete nesprávnému používání. Návod si ponechte a uschovejte tak, abyste jej měli vždy při ruce.

Dodržujte přesně návod k obsluze, abyste zabránili nešťastným událostem.

S úctou

Amica

BEZPEČNOSTNÍ POKYNY

- Odsavač používejte teprve po přečtení tohoto návodu!
- Zařízení je určeno výlučně pro domácí použití.
- Výrobce si vyhrazuje možnost provádění změn, které nemají vliv na funkčnost zařízení.
- Výrobce nenese žádnou odpovědnost za eventuelní škody nebo požár způsobené zařízením, vyplývající z nedodržování pokynů uvedených v tomto návodu.
- Kuchyňský odsavač slouží k odstraňování kuchyňských výparů. Nepoužívejte jej pro jiné účely.
- Odsavač pracující v odtahovém režimu napojte na příslušný ventilační kanál (nenapojujte na komínové, kouřové nebo spalinové kanály, které jsou v provozu). Odsavač musí mít namontované potrubí odvádějící vzduch ven. Délka potrubí (nejčastěji roura Ø 120 nebo 150 mm) nesmí být delší než 4–5 m. Potrubí odvádějící vzduch se rovněž vyžaduje u teleskopických a nábytkových odsavačů v režimu pohlcovače.
- Odsavač pracující jako pohlcovač vyžaduje filtr s aktivním uhlím. V tomto případě není nutná montáž potrubí odvádějícího vzduch ven, zato se doporučuje namontovat zpětnou klapku vzduchu (pouze komínové odsavače).
- Odsavač má nezávislé osvětlení a odtahový ventilátor s možností nastavení jedné z několika rychlostí otáček.
- V závislosti na verzi zařízení je odsavač určen pro trvalé připevnění na svislou stěnu nad plynový nebo elektrický sporák (komínové a univerzální odsavače); na strop nad plynový nebo elektrický sporák (ostrůvkové odsavače); na svislou stěnu v kuchyňské lince nad plynový nebo elektrický sporák (teleskopické a vestavné odsavače). Před montáží se ujistěte, že konstrukce stěny/stropu udrží hmotnost odsavače. Některé modely odsavačů jsou velmi těžké.
- Montážní výška zařízení nad elektrickou deskou

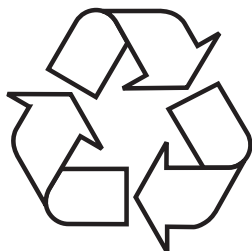
je uvedena v technickém listu (technické specifikaci zařízení). Pokud v montážních návodech plynových zařízení je uvedena větší vzdálenost, zohledněte to (Obr. 1).

- Pod kuchyňským odsavačem nenechávejte otevřený plamen při odsávání nádobí z hořáku, nastavte minimální plamen. Vždy zkontrolujte, zda plamen nepřesahuje přes okraj nádoby, protože to způsobuje nežádoucí ztráty energie a nebezpečnou koncentraci tepla.
- Na pokrmy připravované na tuku neustále dohlížejte, protože rozehrátý tuk se může snadno vznítit.
- Před každým čištěním, výměnou filtru nebo před zahájením opravy vyjměte zástrčku zařízení ze zásuvky.
- Protitukový filtr do kuchyňského odsavače čistěte alespoň jednou za měsíc, protože nasáknutý tukem je lehce hořlavý.
- Pokud jsou v místnosti v provozu kromě odsavače jiná zařízení s neelektrickým napájením (např. kamna na kapalné palivo, průtokové ohřivače, termy), zajistěte dostatečné větrání (přívod vzduchu). Bezpečné používání je možné, když při současném provozu odsavače a spalovacích zařízení, závislých na vzduchu v místnosti, je v místě postavení těchto zařízení podtlak nanejvýš 0,004 milibarů (tento bod neplatí, pokud kuchyňský odsavač používáte jako pohlcovač pachů).
- Odsavač nemá sloužit jako plocha pro opření se osob nacházejících se v kuchyni.
- Okap často čistěte jak z vnějšku, tak i uvnitř (ALESPON JEDNOU ZA MĚSÍC, s dodržением pokynů ohledně údržby uvedených v tomto návodu). Nedodržování zásad týkajících se čištění odsavače a výměny filtrů způsobuje nebezpečí požáru.
- Pokud se napájecí kabel poškodí, musí být vyměněn ve specializovaném servisu.
- Zajistěte možnost odpojení zařízení od elektrického napájení vytažením zástrčky nebo vypnutím dvoupolového vypínače.
- Toto zařízení není přizpůsobeno používání osobami (včetně dětí) s omezenou fyzickou, smyslovou nebo psychickou schopností nebo osobami s nedostatečnými zkušenostmi a znalostmi zařízení,

ledaže jej používají pod dohledem nebo v souladu s návodem k používání zařízení, předaným osobami zodpovídajícími za jejich bezpečnost.

- Všimněte si pozorně, aby zařízení nepoužívaly děti ponechané bez dozoru.
- Zkontrolujte, zda napětí uvedené na výrobním štítku odpovídá místním parametrům napájení.
- Před montáží roztáhněte a vyrovnejte síťový kabel.
- Obalové materiály (polyetylenové sáčky, pěnový polystyren apod.) nenechávejte při vybalování v dosahu dětí.
- Před připojením odsavače k elektrickému napájení vždy zkontrolujte, zda je síťový kabel správně nainstalován a zda NEBYL přimáčknutý odsavačem při montáži. NEPŘIPOJUJTE zařízení k elektrické síti před ukončením montáže.
- Je zakázáno používat odsavač bez namontovaných hliníkových protitukových filtrů.
- Přísně je zakázáno připravovat pod odsavačem pokrmy na otevřeném ohni (flambování).
- V rámci nutnosti použití technických a bezpečnostních opatření týkajících se odvádění spalin dodržujte přesně předpisy vydané kompetentními místními orgány.
- Neutažení šroubů a upevňovacích prvků podle těchto pokynů může vést k ohrožení zdraví a života.
- Závěsné odsavače fungují pouze v režimu pohlcovače pachů.
- **POZOR!** V případě chybějící instalace šroubů a úchytných prvků dle pokynů uvedených v tomto návodu může dojít k vzniku nebezpečí elektrické povahy.
- To zařízení může být používané dětmi ve věku 8 let a staršími, osoby s omezenými fyzickými anebo mentálními schopnostmi, jak rovněž osoby bez zkušenosti a bez znalosti zařízení, mohou konvici používat, pokud jsou dozorované anebo byly instruované ohledně obsluhy zařízení bezpečným způsobem a znají ohrožení spojené s používáním zařízení. Děti si nemohou se zařízením hrát. Čištění a konzervace zařízení nemůže být vykonávána dětmi, ledaže skončily 8 let a mají dohled zodpovědné osoby.

VYBALENÍ



Zařízení bylo po dobu přepravy zabezpečeno proti poškození. Po vybalení zařízení odstraňte části obalu způsobem, který neohrožuje životní prostředí.

Všechny materiály použité na obal jsou stoprocentně neškodné pro životní prostředí a jsou vhodné pro zpětné získání a byly označeny příslušným symbolem. Upozornění! Obalové materiály (polyetylenové sáčky, pěnový polystyren apod.) nenechávejte při vybalování v dosahu dětí.

LIKVIDACE OPOTŘEBOVANÝCH ZAŘÍZENÍ



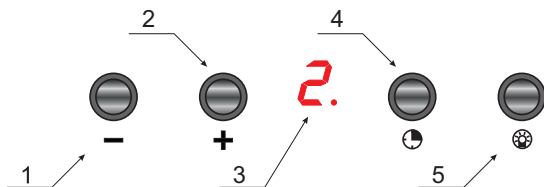
Toto zařízení je označeno v souladu s evropskou směrnicí 2012/19/ES. Takové označení znamená, že toto zařízení se po ukončení životnosti nesmí vyhazovat společně s jiným domácím odpadem.

Uživatel je povinen odevzdat jej do sběrný použitých elektrických a elektronických zařízení. Provádějící sběr, včetně místních sběren, obchodů a obecních úřadů, tvoří systém umožňující odevzdávání těchto zařízení. Příslušné nakládání s použitými elektrickými a elektronickými zařízeními zabranuje negativním následkům pro lidské zdraví a životní prostředí, vznikajícím z přítomnosti nebezpečných složek a nesprávného skladování a zužitkování takových zařízení.

OBSLUHA

Ovládání digestoře

Ovládací panel digestoře je znázorněn na obrázku 4a, pro připomenutí se nachází také níže:



Ovládací panel

Chcete-li zapnout vybranou funkci, stiskněte jedno z tlačítek níže:

- 1 – Sníží rychlost motoru na nižší úroveň Pokud motor digestoře běží, můžete jej tímto tlačítkem vypnout
- 2 – Zvýší rychlost motoru na vyšší úroveň Pokud je digestoř v pohotovostním režimu, lze toto tlačítko použít k zapnutí motoru digestoře.
- 3- Displej indikující zvolený rychlostní stupeň (Displej není senzorem ani tlačítkem). Digestoř je vybavena 4 rychlostmi*.
- 4 – Funkce opožděného vypnutí digestoře (Časovač)
- 5- Zapnutí nebo vypnutí osvětlení. Osvětlení funguje nezávisle na nastavené rychlosti.

Rychlosti možné pro nastavení*:


- Nejnižší rychlost (1). Tuto rychlost používejte při malém množství páry.
- Střední rychlost (2 a 3*). Tuto rychlost používejte při středním množství páry, například při vaření více pokrmů najednou.
- Nejvyšší rychlost (4). Tuto rychlost používejte při největším množství páry, například při smažení nebo grilování.


* Vybrané modely mají rozsah rychlostí 1-3.

EcoBoost

Funkce úspory energie. Spočívá ve snížení rychlosti ze stupně 4 na stupeň 3 po 5 minutách provozu. Funkce se aktivuje automaticky a nelze ji vypnout.

Časovač (odložené vypnutí odsávače)






Tato funkce se používá pro zpožděné vypnutí motoru digestoře (10 minut po aktivaci funkce). Tuto funkci použijte po ukončení vaření, abyste očistili vzduch v místnosti od výparů. Chcete-li tuto funkci aktivovat, stiskněte tlačítko  během provozu digestoře na jakékoli rychlosti, na

displeji bude blikat číslice rychlostního stupně. Chcete-li funkci zpoždění vypnout dříve, stiskněte znovu tlačítko . Digestoř bude dále pracovat s dříve nastavenou rychlostí. Funkce opožděného vypnutí motoru digestoře nezpůsobí vypnutí osvětlení.

Dimmer (regulace intenzity osvětlení)





Díky této funkci můžete regulovat intenzitu osvětlení. Při zapnutém osvětlení se dotkněte a podržte asi 3 sekundy senzor osvětlení. Intenzita osvětlení se sníží, při dalším dotknutí senzoru osvětlení se intenzita sníží o další stupeň. Několikeré provedení této činnosti vám umožní vybrat vhodnou intenzitu osvětlení.

Nastavení barvy osvětlení

Při rozsvíceném osvětlení se na několik sekund současně dotkněte senzorů  a  a podržte je. Na displeji začne blikat **L**. Pomocí senzorů  + a  - nastavte správnou barvu, Jediným kliknutím změníte barvu o 10%, podřazením můžete plynule upravit osvětlení. K dispozici je 10 úrovní barev. Dotkněte se senzoru , nebo neprovádějte po dobu 20 sekund žádnou činnost pro potvrzení barvy.

Spárování varné desky s digestoří

Tato funkce umožňuje komunikaci digestoře s varnou deskou. Tato funkce funguje pouze u některých modelů.

Pro spárování obou zařízení zapněte varnou desku pomocí senzoru  a nastavte libovolný výkon na jedné z varných zón. Tím zabráníte tomu, aby se varná deska po několika sekundách přepnula do pohotovostního režimu. Zatímco varná deska čeká na umístění hrnce na pole, dotkněte se a podržte senzory  + a  na panelu digestoře po dobu asi 3 sekund, na displeji bude chvíli rychle blikat tečka. Po uplynutí této doby se dotkněte senzoru  na desce a podržte jej na několik sekund. Zařízení se spárují a digestoř budete moci ovládat z varné desky.

Stav spojení je signalizován tečkou na desce (nad senzorem ):



Zádná tečka - zařízení nejsou spárována

Blikající tečka - režim párování


Tečka svítí - zařízení jsou spárována

Ovládání digestoře z varné desky

Manuální režim

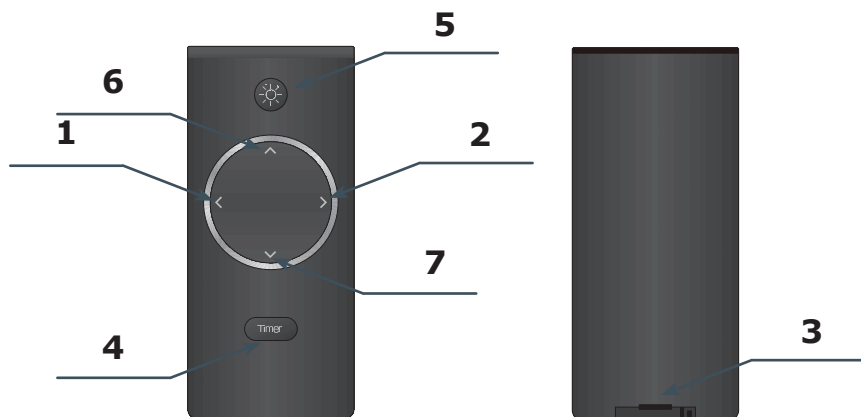
Na varné desce se několikrát dotkněte senzorů   pro změnu otáček turbíny. Každá změna rychlosti způsobí rozsvícení odpovídajícího symbolu na digestoři. Dotýkajíc se senzorů na digestoři se zároveň změní otáčky turbíny.

Automatický režim

Dotkněte se senzoru  na varné desce, vedle displeje se zobrazí **R**, nyní se bude rychlost digestoře automaticky měnit v závislosti na nastaveném výkonu na jednotlivých varných zónách. V automatickém režimu se při aktivaci rychlosti rozsvítí osvětlení digestoře, můžete jej vypnout pomocí příslušného senzoru na digestoři.

Dálkový ovladač

Digestoř je vybaven dálkovým ovladačem, je on znázorněn na obrázku 4b, pro připomenutí se nachází také níže:



Digestoř lze rovněž ovládat pomocí dálkového ovladače. Za tímto účelem nasměrujte ovladač na čelní stranu digestoře a vyberte příslušnou funkci:

- 1- Sníží rychlost na nižší úroveň
- 2 - Zvýší rychlost na vyšší úroveň
- 3- Příhrádka na baterii
- 4 - Funkce opožděného vypnutí digestoře (Časovač) – popis funkce je uveden na předchozí stránce
- 5 - Zapnout nebo vypnout osvětlení. Osvětlení funguje nezávisle na nastavené rychlosti.
- 6- Změna barvy osvětlení na teplou
- 7- Změna barvy osvětlení na studenou

Baterie není součástí dodávky. Je nutné zakoupit ve specializovaných obchodech – Baterie CR2025 3V (jeden kus). Chcete-li vyměnit baterii, vysuňte táč (položka 3 na obrázku) nacházející se na spodní straně ovladače. Umístěte na něj baterii, dávejte přitom pozor na označení polarity. Táč zasuňte zpět.

Jiné důležité informace o obsluze odsavače

Provoz jako pohlčovač: V tomto provozním režimu se přefiltrovaný vzduch vrací zpět do místnosti k tomu přizpůsobenými otvory. Při tomto nastavení nainstalujte uhlíkový filtr a doporučuje se montáž zpětné vzduchové klapky (dostupnost v závislosti na modelu, vyskytuje se hlavně v komínových odsavačích).

Provoz jako odtah: Během odtahového provozního režimu odsavače je vzduch odváděn vně speciálním potrubím. Při tomto nastavení odstraňte eventuální uhlíkový filtr. Odsavač je připojen k otvoru odvádějícímu vzduch ven pomocí tuhého nebo pružného potrubí o průměru 150 mm nebo 120 mm a vhodných svorek k potrubím, které je třeba zakoupit v prodejnách s instalačním materiálem. Připojení svěřte kvalifikovanému pracovníkovi.

Rychlost ventilátoru: Nejnižší a střední rychlost používejte za normálních podmínek a při nízké koncentraci výparů, zatímco nejvyšší rychlost používejte pouze při vysoké koncentraci kuchyňských výparů, např. při smažení nebo grilování.

Poznámka (týká se pouze univerzálních odsavačů): Konstrukce univerzálních odsavačů vyžaduje manuální změnu provozního režimu odsavače. Způsob změny tohoto režimu je znázorněn na obrázku 8.

Poznámka (týká se pouze nábytkových a teleskopických odsavačů): Nábytkové a teleskopické odsavače pracující jako pohlčovač vyžadují montáž roury odvádějící vzduch. Druhý konec roury nasměrujte do místnosti, rourou bude odváděn filtrovaný vzduch.

Upozornění: Závěsné odsavače pracují pouze jako pohlčovač.

ČIŠTĚNÍ A ÚDRŽBA

Údržba

Pravidelná údržba a pravidelné čištění zařízení zajistí správný a bezporuchový provoz odsavače a prodlouží jeho životnost. Věnujte zvláštní pozornost tomu, aby se protitukový filtr a filtr s aktivním uhlím čistily a měnily podle pokynů výrobce.

- Nepoužívejte navlhčené hadříky nebo houby a také proud vody.
- Nepoužívejte rozpouštědla a alkohol, protože by mohly zmatnit lakované povrchy.
- Nepoužívejte leptavé látky, zejména na čištění povrchů z nerezové oceli.
- Nepoužívejte tvrdý, drsný hadřík.
- Doporučuje se používat vlhký hadřík a neutrální čisticí přípravky.

Upozornění: Po několika mytích v myčce se může změnit barva hliníkového filtru. Změna barvy neznamená odchylku a nutnost jeho výměny.

Protitukový filtr

Protitukový filtr čistěte jednou za měsíc během normálního provozu odsavače, v myčce nebo ručně jemným čisticím přípravkem nebo tekutým mýdlem.

Demontáž protitukového filtru je znázorněna na obrázku 5.

U některých modelů se používá akrylový filtr. Měňte jej alespoň jednou za dva měsíce nebo častěji v případě výjimečně intenzivního používání.

Uhlíkový filtr

Uhlíkový filtr používejte pouze v případě, když odsavač není připojen k ventilačnímu kanálu. Filtr s aktivním uhlím má schopnost pohlcovat pachy až do svého nasycení. Není vhodný také k mytí a regeneraci a musí se měnit alespoň jednou za 3-4 měsíce nebo častěji v případě výjimečně intenzivního používání.

Demontáž uhlíkového filtru je znázorněna na obrázku 6.

Osvětlení

Používejte žárovky / halogeny / diodové moduly se stejnými parametry jako u původních namontovaných v zařízení. Výměna žárovek je znázorněna na obrázku 7. Pokud obrázek není v tomto návodu, výměnu osvětlovacího modulu může provést pouze autorizovaný servis.

ZÁRUKA, POPRODEJNÍ SERVIS

Záruka

Záruční plnění podle záručního listu. Výrobce neodpovídá za žádné škody způsobené nesprávným zacházením s výrobkem.

Servis

- Výrobce zařízení doporučuje, aby všechny opravy a seřizovací činnosti prováděl tovární servis nebo autorizovaný servis výrobce. Z bezpečnostních důvodů neopravujte zařízení vlastními silami.
- Opravy osobami bez požadované kvalifikace mohou představovat vážné nebezpečí pro uživatele zařízení.
- Minimální doba platnosti záruky na zařízení nabízené výrobcem, dovozcem nebo oprávněným zástupcem je uvedena v záručním listu.
- Zařízení ztrácí záruku v důsledku svépomocných adaptací, upravy, porušení plomb nebo dalších zabezpečení přístroje nebo jeho částí a dalších svépomocných zásahů do zařízení v rozporu s návodem k obsluze.

Oznámení poruchy a pomoc v případě závady

Potřebuje-li zařízení opravit, kontaktujte servis. Kontaktní údaje servisu včetně telefonního čísla se nacházejí v záručním listu. Před kontaktem si připravte výrobní číslo zařízení, nachází se na výrobním štítku. Pro pohodlí si ho prepíste níže:

--	--	--	--	--	--	--	--	--	--	--	--	--	--	--	--	--	--	--	--

Prohlášení výrobce

Producent tímto prohlašuje, že tento výrobek splňuje základní požadavky níže uvedených evropských směrnic:

- Směrnice pro nízkonapěťová zařízení 2014/35/EU
- Směrnice o elektromagnetické kompatibilitě 2014/30/EU
- Směrnice ErP - 2009/125/EC
- Směrnice RoHS 2011/65/EU

Zařízení je označeno symbolem **CE** a má prohlášení o shodě pro kontrolu příslušným orgánem dozoru nad trhem.

Vážený zákazník

Od dnešného dňa každodenné povinnosti budú jednoduchšie ako kedykoľvek predtým. Zariadenie značky **Amica** spája výnimočne jednoduché používanie a dokonalú efektívnosť. Keď sa oboznámite s užívateľskou príručkou, s používaním zariadenia nebudete mať žiadne problémy.

Zariadenie, ktoré opúšťa továreň, bolo pred konečným zabalením na kontrolných staniciach dôkladne skontrolované, čo sa týka bezpečnosti a funkčnosti zariadenia.

Pred spustením zariadenia sa podrobne a dôkladne oboznámte s užívateľskou príručkou. Dodržiavaním pokynov a odporúčaní, ktoré sú v príručke uvedené, predídete nesprávnemu používaniu zariadenia. Príručku uchovajte a uložte ju na takom mieste, aby bola v prípade potreby ľahko dostupná.

Dôkladne dodržiavajte pokyny a odporúčania uvedené v príručke, vyhnete sa tak nešťastným nehodám či úrazom.

S úctou

Amica

BEZPEČNOSTNÉ POKYNY POUŽÍVANIA

- Odsávač používajte iba po prečítaní tohto návodu!
- Zariadenie je určené iba na domáce, neprofesionálne použitie.
- Výrobca si vyhradzuje právo na vykonávanie zmien, ktoré neovplyvňujú fungovanie zariadenia.
- Výrobca nezodpovedá za prípadné škody alebo požiare spôsobené zariadením následkom nedodržiavania pokynov a odporúčaní, ktoré sú uvedené v tejto príručke.
- Kuchynský odsávač sa používa na odstraňovanie (odsávanie) kuchynských pár. Nepoužívajte ho na iné účely.
- Odsávač, ktorý funguje v režime odsávania, pripojte k príslušnému ventilačnému potrubiu (nepripájajte ku komínovým, dymovým alebo spalinovým potrubiam, ktoré sú v prevádzke). Odsávač vyžaduje inštaláciu potrubia, ktoré odvádza vzduch smerom von z miestnosti. Dĺžka potrubia (najčastejšie rúra Ø 120 alebo 150 mm) nesmie byť dlhšia ako 4-5 m. Potrubie odvádzajúce vzduch sa musí používať aj v prípade teleskopických a vstavaných odsávačov používaných v režime pohlčovania
- Odsávač, ktorý je nastavený režime pohlčovania, vyžaduje inštaláciu filtra s aktívnym uhlím. V tomto prípade sa nevyžaduje inštalácia potrubia odvádzajúceho vzduch von, odporúča sa však montáž usmerňovača prúdu vzduchu (iba komínové odsávače).
- Odsávač má nezávislé osvetlenie a tiež odťahový ventilátor s možnosťou nastaviť jednu z niekoľkých rýchlostí otáčania.

- V závislosti na verzii zariadenia je odsávač určený na trvale pripevnenie na zvislú stenu nad plynovým alebo elektrickým sporákom (komínové a univerzálne odsávače); na strop nad plynovým alebo elektrickým sporákom (ostrovne odsávače); na zvislú stenu v zabudovanom nábytku nad plynovým alebo elektrickým sporákom (teleskopické a vstavané odsávače). Pred inštaláciou sa uistite, či konštrukcia steny / stropu je dostatočná na udržanie odsávača. Niektoré modely odsávačov sú veľmi ťažké.
- Výška inštalácie zariadenia nad elektrickou varnou doskou je uvedená v liste výrobku (technickej špecifikácii zariadenia). Ak je v montážnej príručke plynových zariadení uvedená väčšia vzdialenosť, musí to byť pri montáži zohľadnené (obr. 1).
- Pod kuchynským odsávačom nenechávajte otvorený oheň, pri vyberaní riadu z horáku nastavte minimálny plameň. Vždy skontrolujte, či plameň nepresahuje poza riad, pretože to spôsobuje nežiaduce straty energie a nebezpečnú koncentráciu tepla.
- Jedlá pripravované na tuku/oleji musia byť pod stálym dohľadom, pretože nahriaty olej/tuk sa môže ľahko zapáliť.
- Pred každou manipuláciou, napr. čistenie, výmena filtra alebo pred začatím servisných prác, odsávač pár sa musí odpojiť od elektrického napätia.
- Protitukový filter do kuchynského odsávača sa musí čistiť minimálne raz mesačne, keďže zachytený tuk je ľahko horľavý.
- Ak sa v miestnosti, okrem odsávača, využívajú iné zariadenia s neelektickým spaľovaním (napr. pece na tekuté palivo, prietokové ohrievače), musí sa zabezpečiť dostatočné vetranie (prísun vzduchu). Bezpečné používanie je možné vtedy, ak pri súčasnom používaní odsávača a iných zariadení,

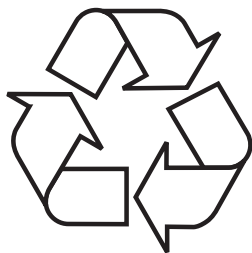
ktoré spotrebúvajú vzduch v danej miestnosti, na mieste používania týchto zariadení je podtlak maximálne 0,004 milibaru (tieto požiadavky sa nemusia splniť v prípade, ak sa odsávač používa v režime pohlcovača pár).

- Odsávač sa nesmie používať ako plocha na opieranie osôb, ktoré sú v kuchyni.
- Odsávač často čistite, tak z vonku ako aj z vnútra (MINIMALNE RAZ MESACNE), pričom dodržiavajte pokyny uvedené v tejto príručke. V prípade nedodržiavania zásad týkajúcich sa čistenia odsávača, ako aj výmeny filtrov, hrozí riziko vzniku požiaru.
- Ak bude napájací kábel bude poškodený, musí byť vymenený v špecializovanom servise.
- Zabezpečte možnosť odpojenia zariadenia od el. napätia vytiahnutím zástrčky z el. zásuvky, alebo vypnutím dvojpólového vypínača.
- Toto zariadenie nie je prispôbené k používaniu osobami (v tom deťmi) s obmedzenou fyzickou, zmyslovou alebo psychickou schopnosťou alebo osobami s nedostatočnými skúsenosťami a znalosťami zariadenia, iba ak je uskutočňované pod dohľadom alebo v súlade s návodom používania zariadenia, odovzdanom osobami odpovedajúcimi za ich bezpečnosť.
- Venujte mimoriadnu pozornosť tomu, aby spotrebič nepoužívali deti ponechané bez dozoru.
- Skontrolujte, či el. napätie uvedené na výrobnom štítku zariadenia sa zhoduje s parametrami el. napätia siete.
- Pred montážou napájací kábel rozviňte a vyrovnajte.
- Dávajte pozor, aby sa obalové materiály (polyetylénové vrecká, kúsky polystyrénu atď.) nedostali do rúk deťom.
- Pred pripojením odsávača k sieťovému napájaniu vždy skontrolujte, či bol napájací kábel správne

nainštalovaný a či NEBOL pritlačený odsávačom počas montážnych prác. Zariadenie nepripájajte k el. napätiu predtým, než úplne skončíte montáž zariadenia.

- Odsávač sa nesmie používať bez namontovaných hliníkových protitukových filtrov.
- Pod odsávačom sa v žiadnom prípade nesmú pripravovať jedlá s použitím otvoreného ohňa (flambovanie). Je to prísne zakázané.
- Čo sa týka dodržiavania požadovaných technických a bezpečnostných prostriedkov a pokynov týkajúcich sa odvádzania spalín, bezpodmienečne dodržujte platné miestne predpisy a normy.
- V prípade, ak skrutky, ako aj montážne a upevňujúce prvky nebudú správne (v súlade s touto príručkou) dotiahnuté (upevnené), hrozí riziko úrazu, či dokonca smrti.
- Visiace odsávače fungujú iba v režime pohlcovania pachov.
- **POZOR!** Chýbajúca inštalácia upevňovacích skrutiek alebo prostriedkov v súlade s týmito pokynmi môže spôsobiť úraz elektrickým prúdom.
- Toto zariadenie môže byť používané deťmi vo veku 8 rokov a starších, osoby s obmedzenými fyzickými alebo mentálnymi schopnosťami, ako aj osobami bez skúseností a bez znalostí zariadenia môžu kanvicu používať, pokiaľ sú dohliadané alebo boli inštruované vzhľadom obsluhy zariadenia bezpečným spôsobom a znajú ohrozenie spojené s používaním zariadenia. Deti si nemôžu so zariadením hrať. Čistenie a konzervácia zariadenia nemôže byť vykonávaná deťmi ledaže ukončili 8 rokov a sú dohliadané zodpovednou osobou.

ROZBALENIE



Zariadenie je chránené pred poškodením počas prepravy. Prosíme Vás, aby ste po vybalení zariadenia zlikvidovali obalové materiály spôsobom neohrozujúcim životné prostredie.

Všetky materiály použité na zabalenie sú neškodné pre životné prostredie, sú 100% recyklovateľné a sú označe-

né príslušným symbolom.

Pozor! Dávajte pozor, aby sa obalové materiály (polyetylenové vrecká, kusky polystyrenu atď.) nedostali do rúk deťom.

LIKVIDÁCIA ZARIADENÍ



Toto zariadenie je označené v súlade s Európskou smernicou 2012/19/ES. Tento symbol informuje, že toto zariadenie sa po opotrebovaní (skončení používania) nešmie vyhodiť do komunálneho odpadu. Užívateľ je povinný zariadenie odovzdať v zbernom mieste opotrebovaných elektrických a elektronických zariadení.

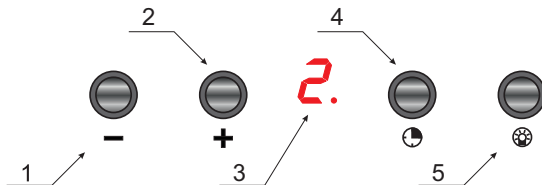
Subjekty, ktoré sa zaoberajú spracovaním opotrebovaných zariadení, tzn. miestne zberné miesta, obchody alebo jednotky štátnej správy, vytvárajú príslušný systém, ktorý každému umožňuje odovzdať takéto zariadenia.

Správny postup pri likvidácii elektrického a elektronického zariadenia predchádza negatívne mu vplyvu škodlivých pre ľudské zdravie a životné prostredie konzekvencií, ktoré vyplývajú z prítomnosti nebezpečných častí ako aj nesprávneho skladovania a recyklácie takýchto zariadení.

POUŽÍVÁNIE

Ovládanie odsávača

Ovládací panel odsávača je zobrazený na obr. 4a, na pripomenutie je uvedený aj nižšie:



Ovládací panel

Keď chcete aktivovať danú funkciu, stlačte príslušné tlačidlo:

- 1 – Zníženie rýchlosti motora o jednu úroveň dole. Ak motor odsávača pracuje, týmto tlačidlom ho môžete vypnúť.
- 2 – Zvýšenie rýchlosti motora o jednu úroveň vyššie. Ak je odsávač v pohotovostnom režime, stlačením tohto tlačidla môžete zapnúť motor odsávača.
- 3 – Displej zobrazujúci vybranú rýchlosť (Displej nie je snímač ani tlačidlo). Odsávač má 4 rýchlosti*.
- 4 – Funkcia oneskoreného vypnutia (časovač)
- 5 – Zapnutie/vypnutie osvetlenia. Osvetlenie funguje nezávisle od aktuálnej rýchlosti.

Dostupné rýchlosti *:

- Najnižšia rýchlosť (1). Túto rýchlosť používajte, keď sa nevytvára príliš veľa pary.
- Stredné rýchlosti (2 a 3*). Túto rýchlosť používajte, keď sa vytvára stredne veľké množstvo pary, napr. pri varení niekoľkých jedál súčasne.
- Najvyššia rýchlosť (4*). Túto rýchlosť používajte, keď sa vytvára veľké množstvo pary, napr. pri vyprážaní či grilovaní.



* Vybrané modely majú rozsah rýchlosti 1 až 3.

Eco Boost

Funkcia šetrenia energie. Je založená na znížení rýchlosti 4 na rýchlosť 3 po cca 5 minútach práce. Funkcia sa spúšťa automaticky a nedá sa vypnúť.

Časovač (oneskorené vypnutie odsávania)



Táto funkcia je určená na nastavenie oneskoreného vypnutia odsávania (po 10 minútach od aktivácie funkcie). Funkcia je vhodná napr. vtedy,

keď chcete po skončení varenia odsáť všetky pary (zápach) z miestnosti. Keď chcete aktivovať túto funkciu, keď je odsávač spustený na ľubovoľnej rýchlosti, stlačte tlačidlo , na displeji začne blikať číslica rýchlosti. Keď chcete funkciu oneskorenia vypnúť skôr, stlačte opäť tlačidlo . Odsávač bude aj naďalej spustený na skôr nastavenej rýchlosti. Funkcia oneskoreného vypnutia motora odsávača nevypína osvetlenie (ktoré je nezávislé).




Stmievač (nastavenie intenzity osvetlenia)


Vďaka tejto funkcii môžete nastaviť intenzitu osvetlenia. Keď chcete použiť túto funkciu, keď je osvetlenie zapnuté, stlačte a na cca 3 sekundy podržte snímač osvetlenia. Následne sa zníži intenzita osvetlenia, opätovným stlačením snímača osvetlenia sa intenzita osvetlenia zníži opäť o jednu úroveň. Stláčaním nastavíte požadovanú intenzitu osvetlenia.

Nastavenie farby osvetlenia



Keď je osvetlenie zapnuté, súčasne stlačte a na niekoľko sekúnd podržte snímač - a . Na displeji začne blikať **L**. Snímačmi + a - nastavte požadovanú farebnú teplotu. Jedným stlačením sa farba zmení o 10 %, podržaním môžete plynulo nastavovať osvetlenie. Dostupných je 10 úrovní farby. Stlačte snímač , alebo počas 20 sekúnd nevykonajte žiadnu činnosť, nastavenie farby sa potvrdí.

Párovanie varnej dosky a odsávača


Táto funkcia umožňuje, aby odsávač komunikoval s varnou doskou. Táto funkcia funguje iba v prípade určitých modeloch. Keď chcete spárovať oba zariadenia, zapnite dosku stlačením snímača  a nastavte ľubovoľný výkon na jednej varnej zóne. Vďaka tomu sa doska po niekoľkých sekundách prepne na pohotovostný režim. Keď doska očakáva na umiestnenie hrnca na zóne, na paneli odsávača stlačte a na približne 3 sekundy podržte snímač + a , na displeji začne istú chvíľu rýchlo blikať bodka. Potom stlačte a na niekoľko sekúnd podržte snímač dosky . Zariadenie sa spárujú, a budete môcť ovládať odsávač prostredníctvom varnej dosky.

Ø stave prepojenia informuje bodka na doske (nad snímačom ):
Žiadna bodka – zariadenia nie sú spárované
Blikajúca bodka – režim párovania
Svietiaca bodka – zariadenia sú spárované

Ovládanie odsávača prostredníctvom dosky

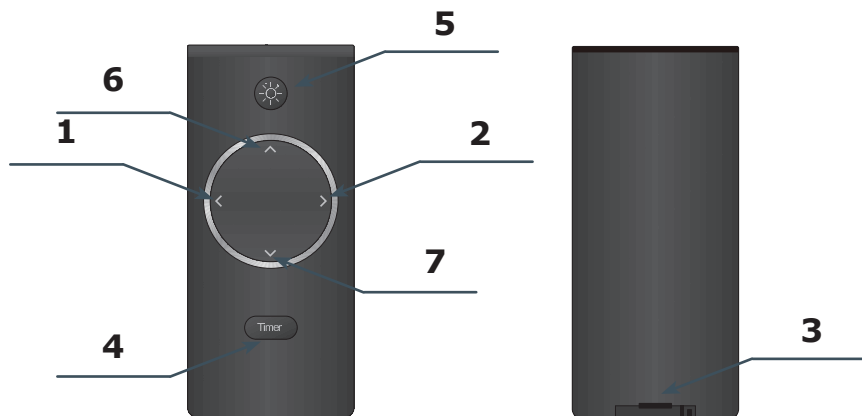
Manuálny režim
Stláčaním snímačov   dosky môžete znížiť rýchlosť turbíny. Pri každej zmene rýchlosti sa zasvieti príslušný symbol na odsávači. Rýchlosť turbíny môžete zmeniť aj stláčaním snímačov odsávača.

Automatický režim

Dotknite snímač  na doske, vedľa displeja rýchlosti sa zobrazí **A**, teraz sa rýchlosť odsávača zmení automaticky podľa nastaveného výkonu jednotlivých varných zón. V automatickom režime, keď je aktívna rýchlosť, zasvieti osvetlenie odsávača, ktoré môžete vypnúť stlačením príslušného snímača odsávača.

Dialkový ovládač

Súčasťou vybavenia odsávača je diaľkový ovládač, ktorý je predstavený na obrázku 4b, na pripomenutie je uvedený aj nižšie:



Odsávač môžete ovládať aj pomocou diaľkového ovládača. Keď to chcete urobiť, čelnou stranou ovládača namierte na odsávač a vyberte požadovanú funkciu:

- 1 – Zníženie rýchlosti o jednu úroveň
- 2 – Zvýšenie rýchlosti o jednu úroveň
- 3- Tácka na batérie
- 4 – Funkcia oneskoreného vypnutia (časovač) – opis funkcie je uvedený na predchádzajúcej strane
- 5 – Zapnutie/vypnutie osvetlenia. Osvetlenie funguje nezávisle od aktuálnej rýchlosti.
- 6- Zmena farby osvetlenia na teplé
- 7- Zmena farby osvetlenia na studené

Batérie nie sú súčasťou továrenského balenia ovládača. Batérie sa kupujú samostatne – použite batériu typu CR2025 3V (jeden kus). Keď chcete batériu vymeniť, vysuňte tácku (položka 3 na schematicom obrázku), ktorá sa nachádza v dolnej časti ovládača. Vyberte starú a vložte novú batériu, pričom zachovajte správny smer pólov, podľa uvedených symbolov. Tácku batérie zasunite naspäť.

Iné dôležité informácie týkajúce sa používania odsávača

Režim pohlčovania: V tomto režime sa prefiltrovaný vzduch cez otvory, ktoré sú na to určené, vracia späť do miestnosti (recirkulácia). Pri tomto nastavení sa musí namontovať uhlíkový filter, a tiež odporúčame namontovať smerovač (difúzor) vychádzajúceho vzduchu (dostupný pre každý model, používa sa predovšetkým v komínových odsávačoch).

Režim odsávania: V tomto režime odsávač odvádza vzduch vonku špeciálnym potrubím. V tomto režime nepoužívajte uhlíkový filter (ak je vložený, vyberte ho). Odsávač pár sa pripája k ventilačnému komínu pomocou pevných alebo elastický rúr s priemerom 150 mm alebo 120 mm a príslušných spojok, ktoré si môžete zaobstaráť v obchodoch s inštaláčnymi materiálmi. Pripojenie je potrebné zadať kvalifikovanému technikovi.

Rýchlosť ventilátora: Najnižšia a stredná rýchlosť ventilátora sa používa v normálnych podmienkach a pri malej koncentrácii pár. Najvyššia rýchlosť sa používa iba v prípade vysokej koncentrácie kuchynských pár, napr. počas smaženia, grilovania.

Pozor (týka sa iba univerzálnych odsávačov): Univerzálne odsávače sú skonštruované tak, že zmena režimu práce odsávača sa musí vykonať ručne. Spôsob zmeny režimu je znázornený na obrázku 8.

Pozor (týka sa iba vstavaných a teleskopických odsávačov): Vstavané a teleskopické odsávače používané v režime pohlčovania, musia mať namontované potrubie odvádzajúce vzduch. Druhý koniec potrubia je potrebné nasmerovať do miestnosti, tadiaľ bude odvádzaný prefiltrovaný vzduch.

Pozor: Visiace odsávače fungujú iba v režime pohlčovania.

ČISTENIE A ÚDRŽBA

Konzervácia

Pravidelné čistenie a údržba zariadenia zaručujú dobré fungovanie odsávača a zároveň predlžujú jeho životnosť. Dôležité je pravidelné čistenie protitukových filtrov a výmena uhlíkových filtrov v súlade s odporúčaniami výrobcu.

- Nepoužívajte vlhké handričky alebo špongie ani prúd vody.
- Nepoužívajte riedidlá ani alkohol, pretože by mohli zmatnieť lakované povrchy.
- Nepoužívajte leptavé látky, najmä na čistenie povrchov z nerezovej oceli.
- Nepoužívajte tvrdé, drsné handričky
- Odporúčame používať vlhkú a jemnú handričku s použitím jemných saponátov.

Pozor: Po niekoľkých umytiach v umývačke riadu sa farba hliníkového filtra (mriežky) môže zmeniť. Taká zmena farby neznamena, že filter nefunguje správne, a že sa musí vymeniť.

Protitukový filter

Protitukový filter je potrebné čistiť každý mesiac počas normálnej prevádzky odsávača, v umývačke riadu alebo ručne s použitím jemného čistiaceho prostriedku alebo tekutého mydla.

Demontáž protitukového filtra je znázornená na obrázku č. 5.

Pri niektorých modeloch je použitý akrylový filter. Musí byť vymenený aspoň raz za 2 mesiace, alebo častejšie v prípade veľmi intenzívneho používania.

Uhlíkový filter

Uhlíkový filter sa používajú iba vtedy, ak odsávač pár nie je pripojený na ventilačný komín. Uhlíkový filter je schopný absorbovať pachy až určitú absorpčnú hladinu – nasýtenie. Uhlíkové filtre sa nesmú umývať, nie sú vhodné na regeneráciu a musia sa vymieňať, a to aspoň raz na 3-4 mesiace alebo častejšie, ak sa odsávač pár využíva intenzívne. Demontáž uhlíkového filtra je znázornená na obrázku 6.

Osvetlenie

Je potrebné používať žiarovky / halogény / diódové moduly s rovnakými parametrami ako sú nainštalované výrobcom v zariadení. Výmena osvetlenia je znázornená na obrázku č. 7. Ak obrázok nie je v tejto príručke uvedený, modul osvetlenia môže vymeniť iba autorizovaný servis.

ZÁRUKA, POPREDAJNÝ SERVIS

Záruka

Záruka sa poskytuje podľa podmienok uvedených v záručnom liste. Výrobca neodpovedá za akékoľvek škody spôsobené nesprávnym zaobchádzaním a používaním výrobku.

Servis

- Výrobca zariadenia odporúča, aby všetky opravy a nastavovania výrobku vždy vykonával továrenský servis alebo autorizovaný servis výrobcu. Z bezpečnostných dôvodov neopravujte spotrebič svojpomocným spôsobom.
- Opravy vykonávané osobami, ktoré nemajú požadované kvalifikácie, môže predstavovať vážne nebezpečenstvo pre používateľa zariadenia.
- Minimálna lehota platnosti záruky na zariadenie ponúkané výrobcom, dovozcom alebo oprávneným zástupcom, je uvedená v záručnom liste.
- Záruka na zariadenie prestáva platiť v dôsledku vykonania adaptácie, prerobenia zariadenia, poškodenia plomb alebo iných ochrán a zabezpečení zariadenia alebo jeho častí alebo v dôsledku iných nepovolených zásahov do zariadenia, vykonaných v rozpore z používateľskou príručkou.

Nahlásenie opravy a pomoc v prípade poruchy

Ak je potrebné zariadenie opraviť, obráťte sa na autorizovaný servis. Kontaktné údaje servisu, vrátane kontaktného telefonného čísla, sú uvedené v záručnom liste. Pred tým, ako sa obrátite na servis, pripravte seriové číslo zariadenia, ktoré je uvedené na výrobnom štítku. Na uľahčenie ho prepíšte tu:

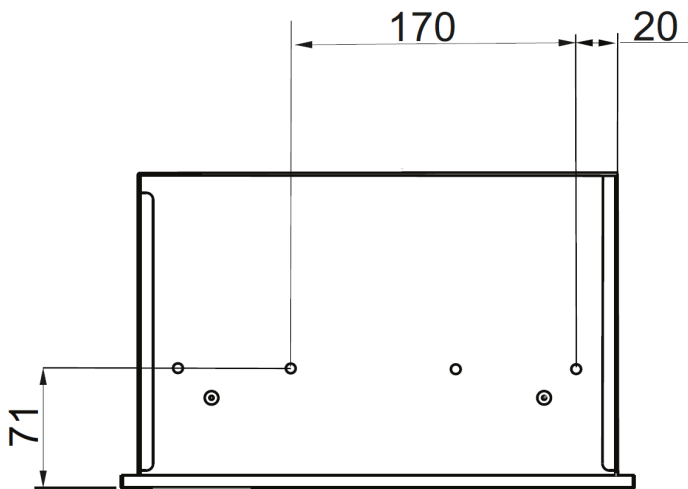
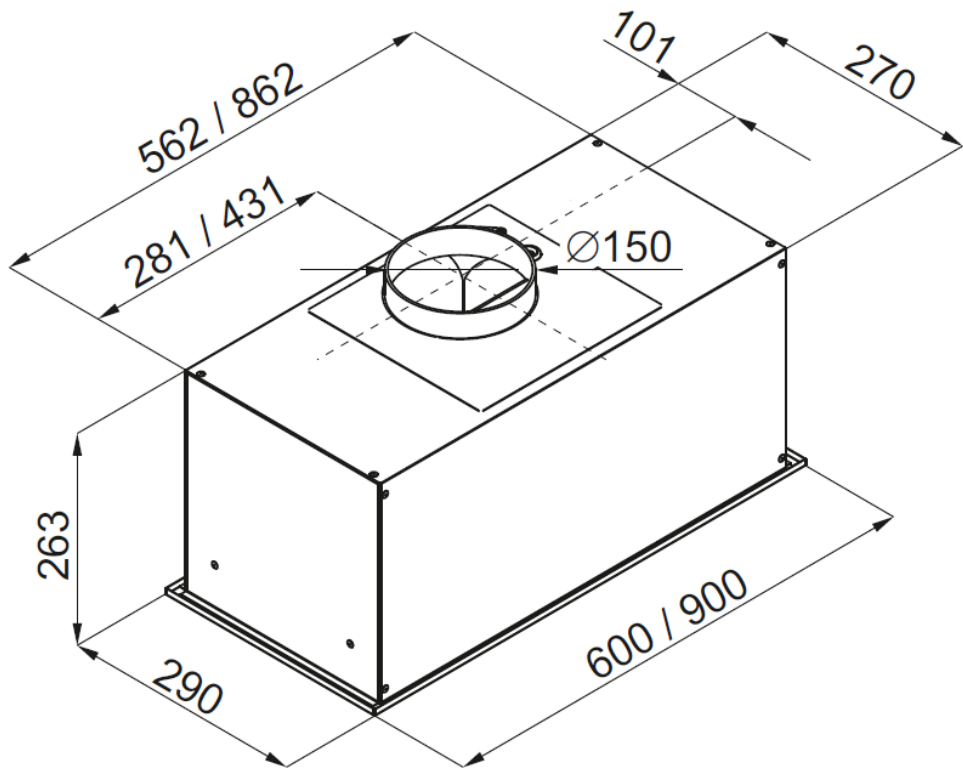
--	--	--	--	--	--	--	--	--	--	--	--	--	--	--	--	--	--	--	--	--

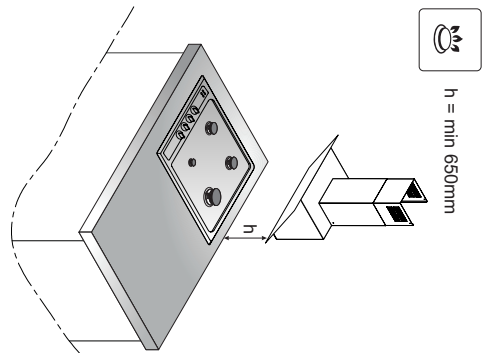
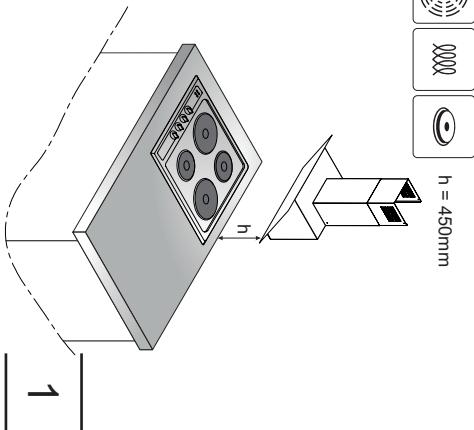
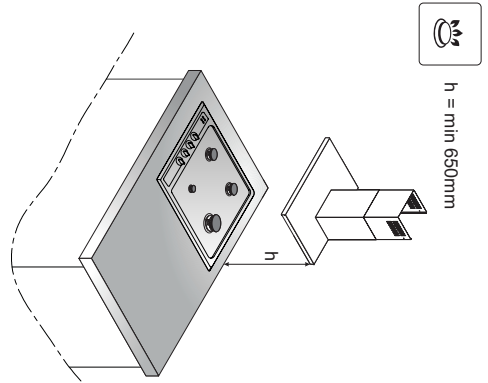
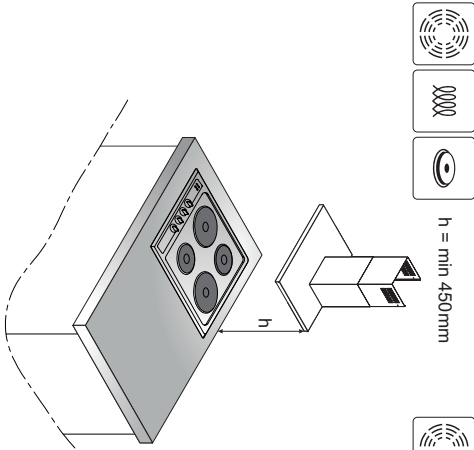
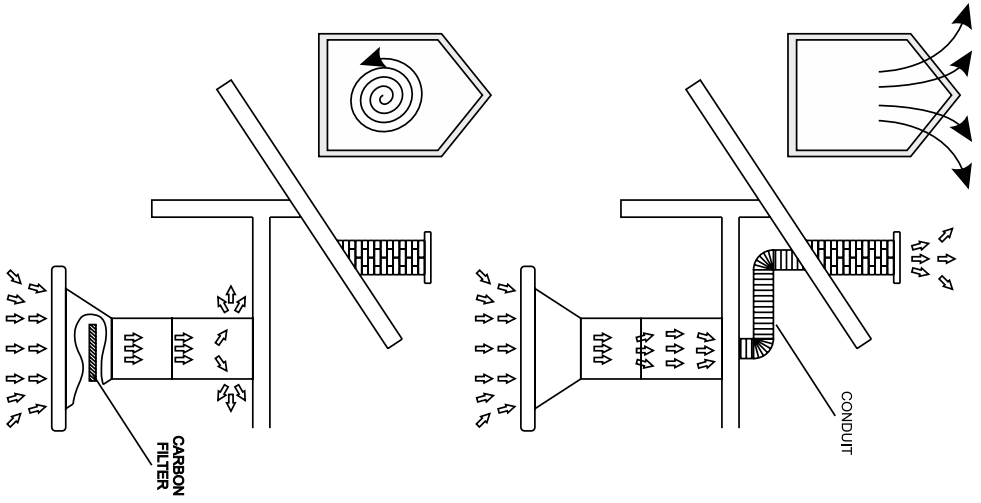
Vyhlasenie výrobcu

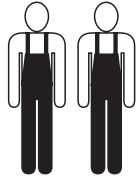
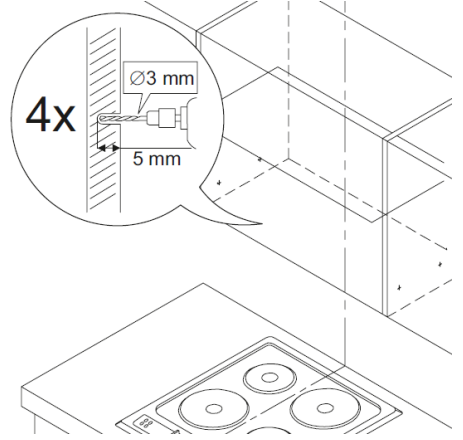
Výrobca týmto vyhlasuje, že výrobok spĺňa dôležité požiadavky nasledujúcich európskych smerníc:

- **Smernica pre nízke napätie 2014/35/EU**
- **Smernica elektromagnetickej kompatibility 2014/30/EU**
- **Smernica ErP - 2009/125/EC**
- **Smernica RoHS 2011/65/EU**

Zariadenie je označené symbolom  a má vyhlásenie o zhode na kontrolu príslušným orgánom dohľadu nad trhom.

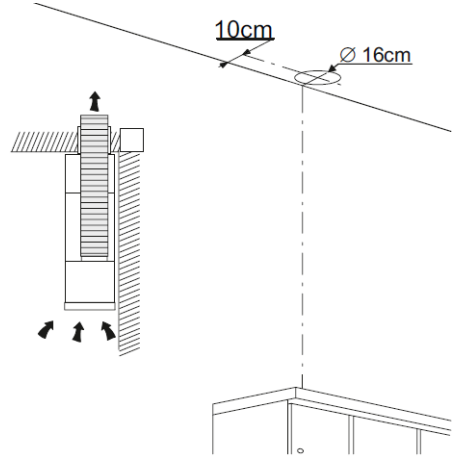
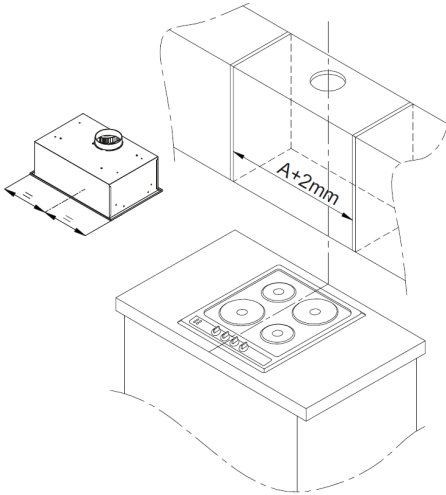






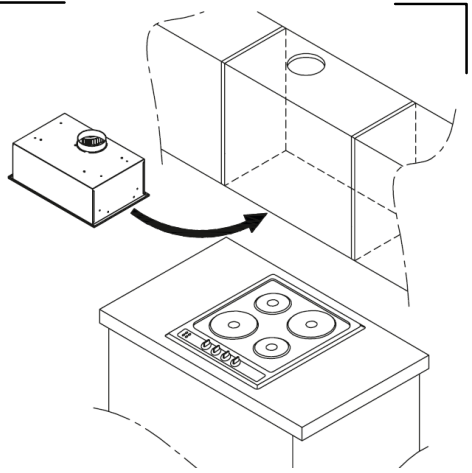
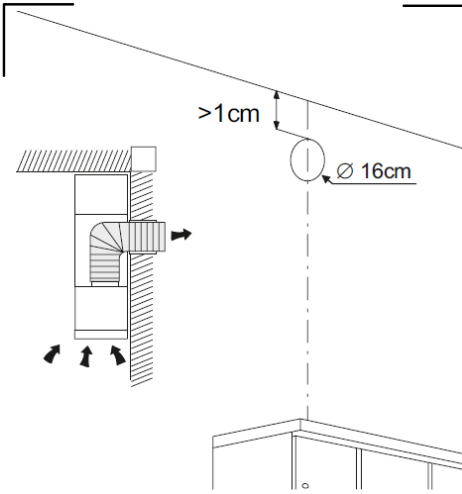
3a

3c



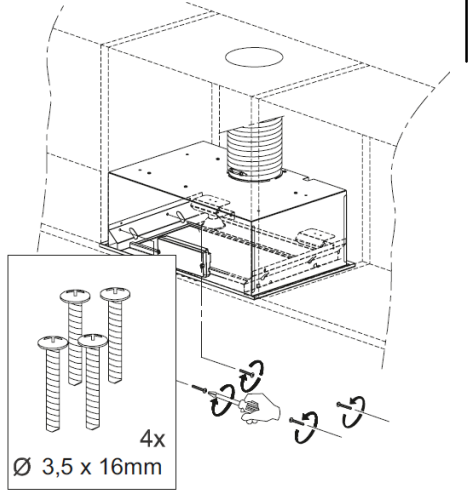
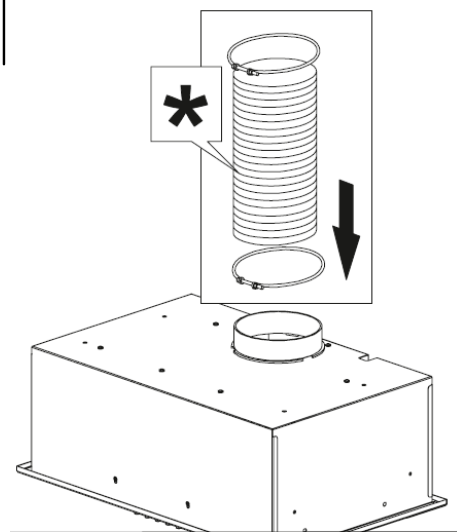
3b

3d



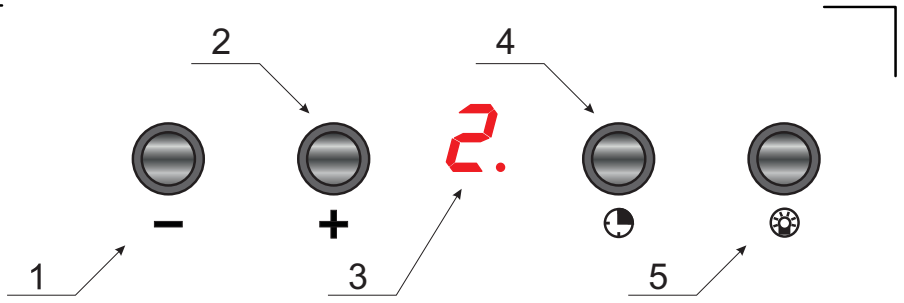
3e

3g

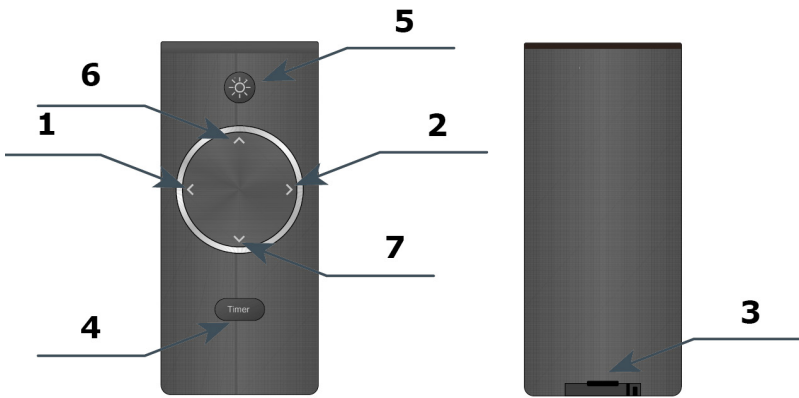


3f

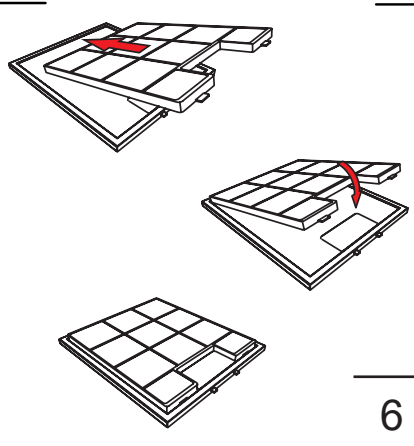
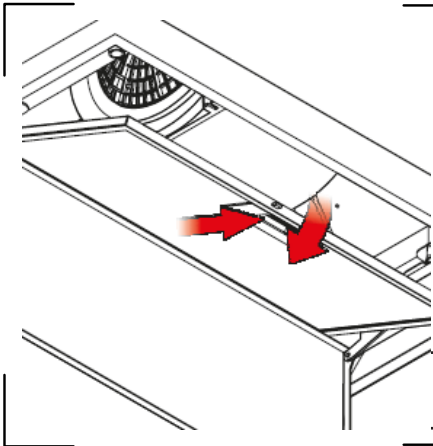
3h



4a



4b



Amica S.A.
ul . Mickiewicza 52 / 64-510 Wronki
tel. 67 25 46 100 / fax 67 25 40 320
www.amica.pl

Amica International GmbH
Lüdinghauser Str. 52
D-59387 Ascheberg
Tel: 0 25 93 - 95 67-0
www.amica-group.de