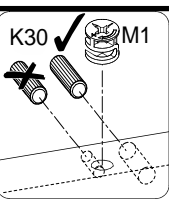
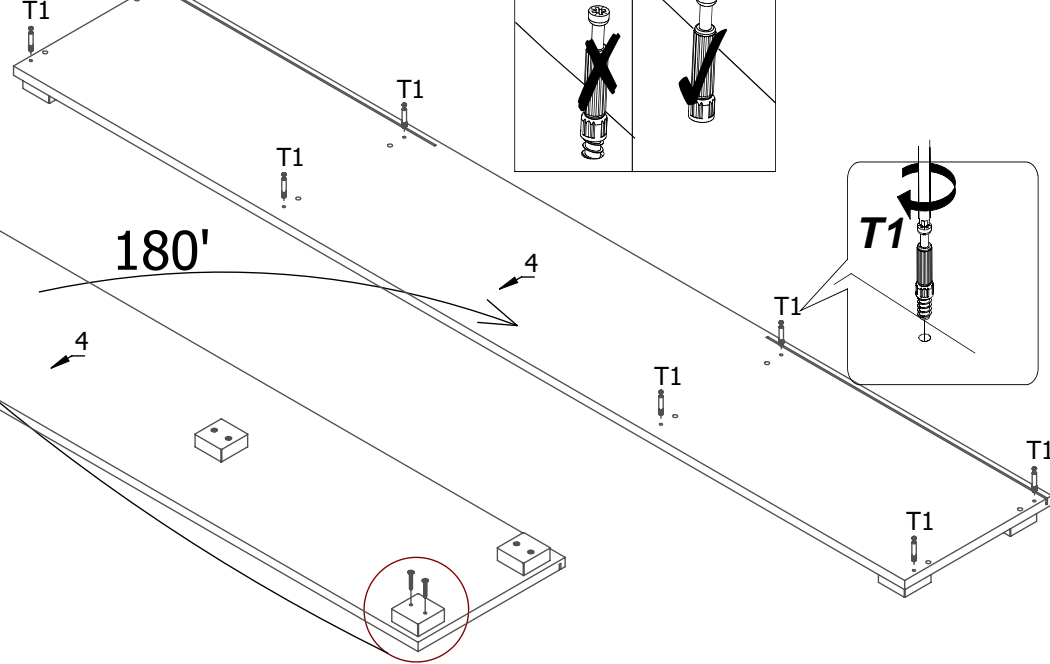
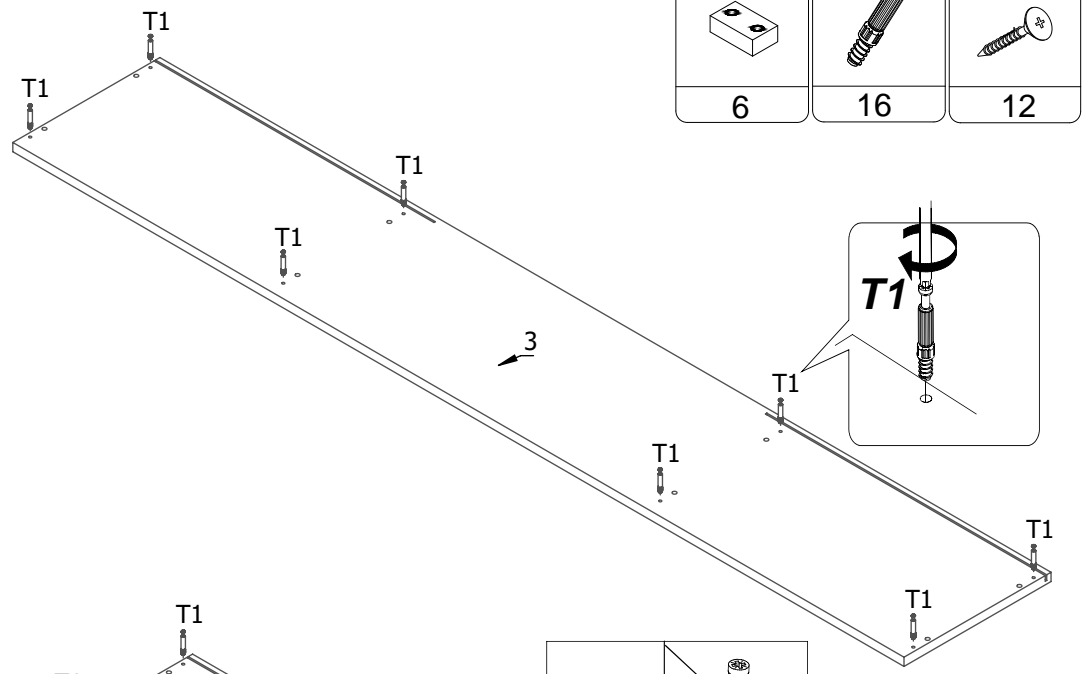
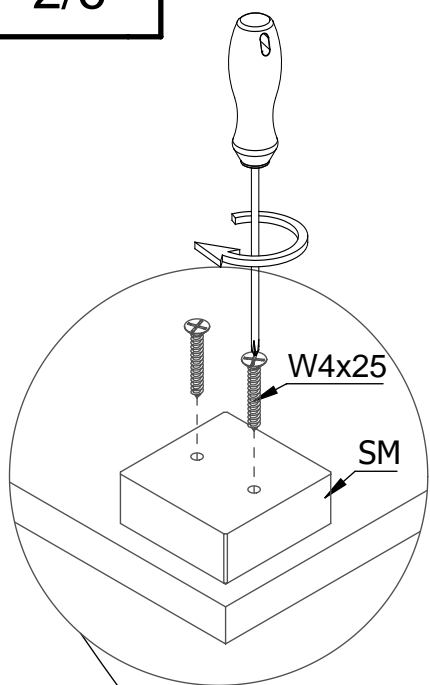
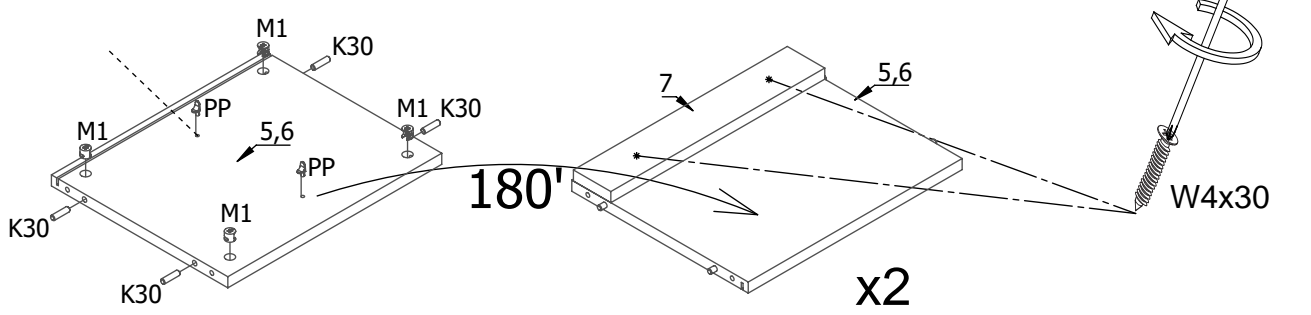
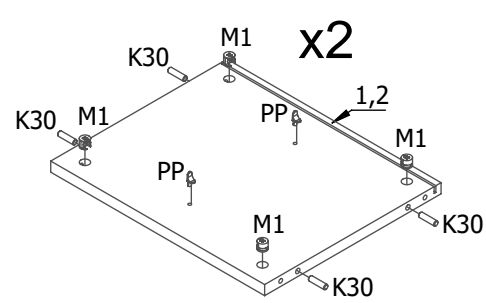


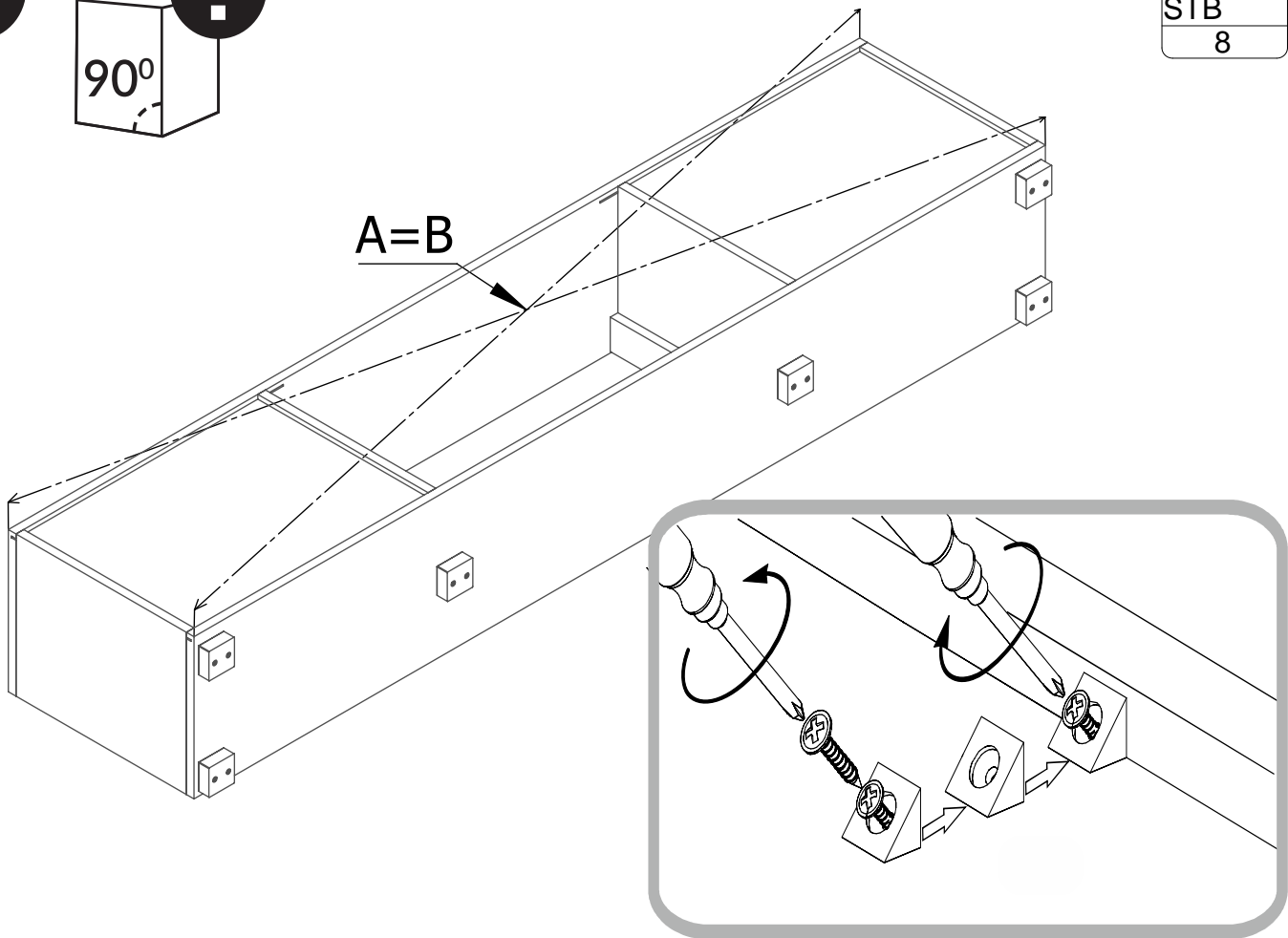
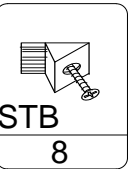
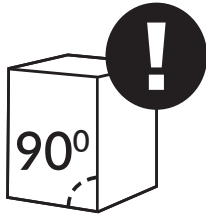
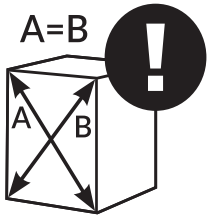
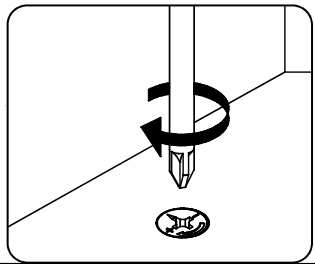
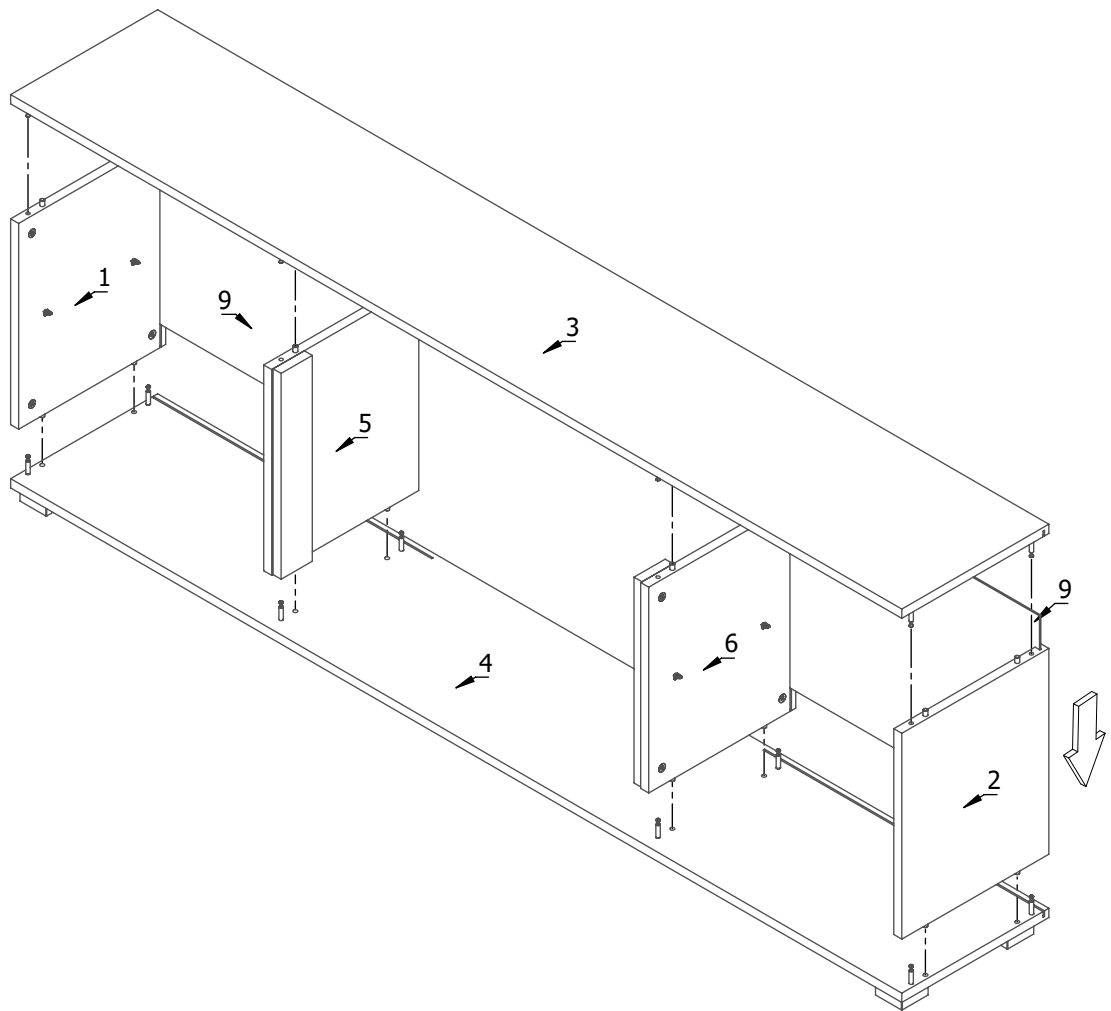
K30 16	T1 16	M1 16	N 16	PP 8
STB 8	W4x25 12	W4x30 4	SM 6	

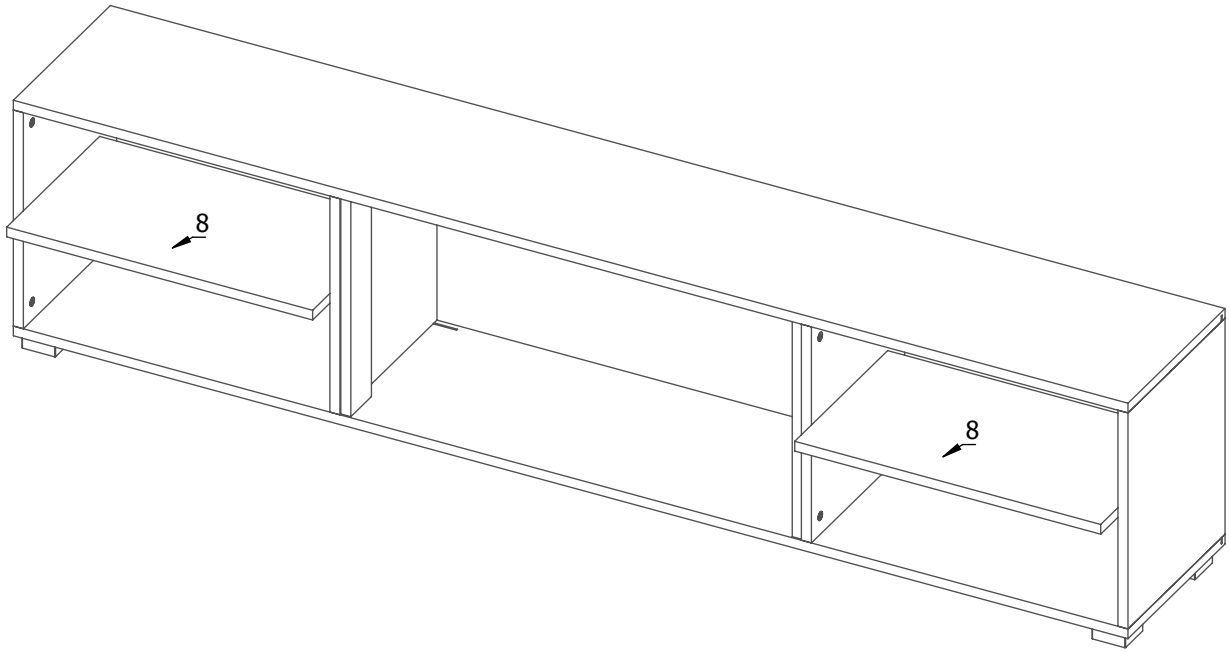
SM	T1	W4x25
6	16	12



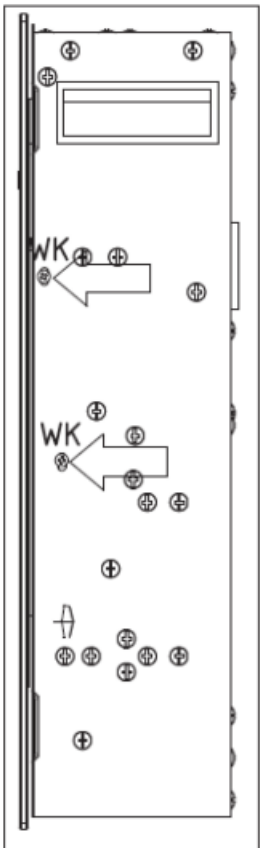
W4x30	PP	K30	M1
4	8	16	16







RIGHT SIDE



LEFT SIDE

