



- CLASSIC -

Booklet available in English on
Heft in deutscher Sprache erhältlich auf
Livret disponible en français sur
Libretto disponibile in italiano su
Folleto en español disponible en
如需中文版手册, 请访问



FR

**DONNEZ
OU
RECYCLEZ**



ASSOCIATION
OU



MAGASIN
OU



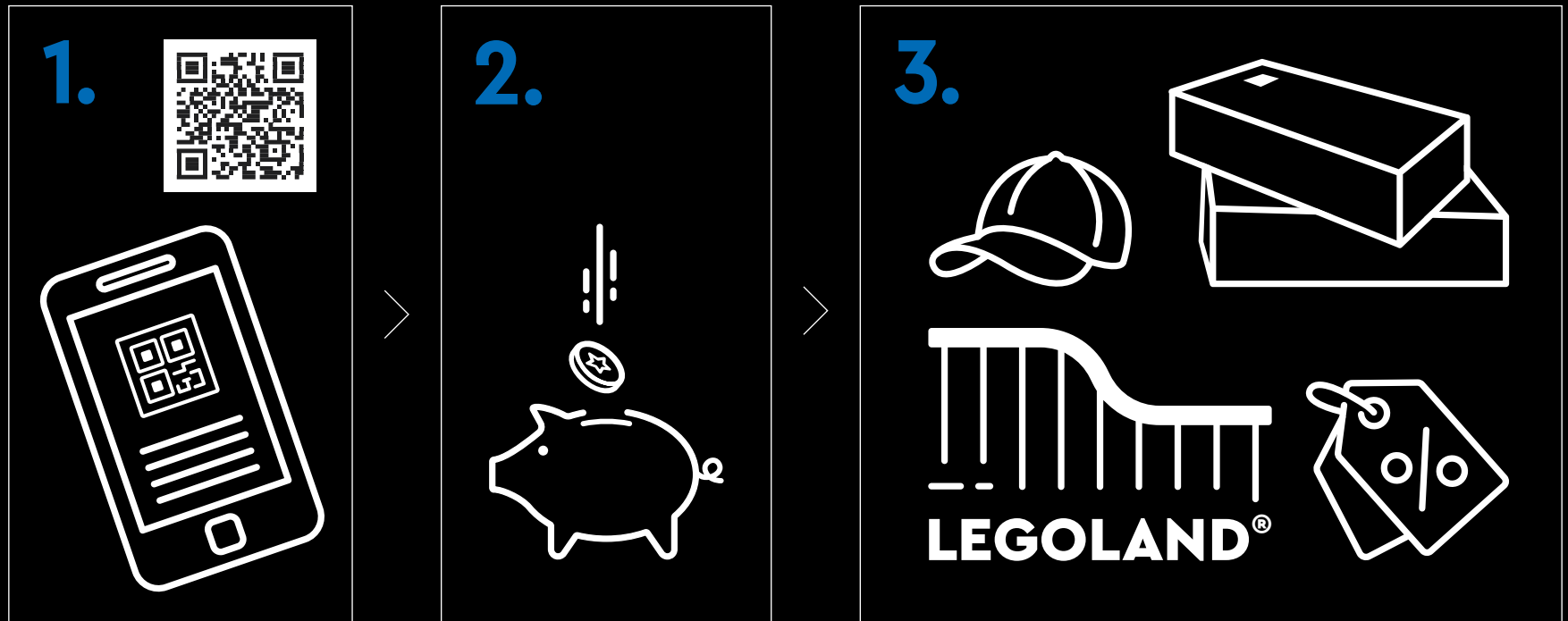
DÉCHÈTERIE

Adresses sur quefairemesdechets.fr



LEGO.com/sustainable-packaging

LEGO® VIP



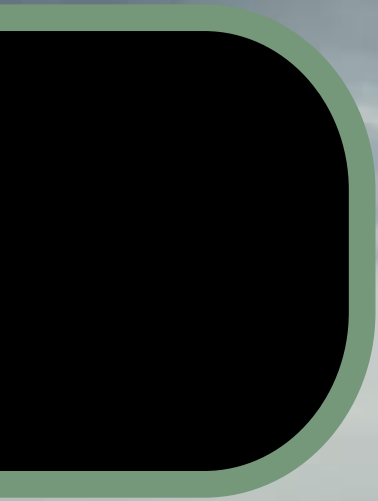
1. Sign up **2.** Earn points for purchases **3.** Redeem points for rewards, experiences, discounts & more | **1.** Melde dich an **2.** Sammle Punkte bei jedem Kauf **3.** Löse die Punkte für Belohnungen, Erlebnisse, Rabatte und Ähnliches ein | **1.** Inscrivez-vous **2.** Gagnez des points lors de vos achats **3.** Échangez vos points contre des récompenses, des expériences, des remises et bien plus encore | **1.** Iscriviti **2.** Guadagna punti con i tuoi acquisti **3.** Riscatta punti per premi, esperienze, sconti e altro ancora | **1.** Regístrate **2.** Gana puntos por tus compras **3.** Canjea puntos por recompensas, experiencias, descuentos y mucho más | **1.** Registe-se **2.** Ganhe pontos em compras **3.** Troque os pontos para prémios, experiências, descontos e muito mais | **1.** 注册 **2.** 购物赚积分 **3.** 用积分兑换奖励、体验、折扣等 | **1.** Zarejestruj się **2.** Zdobywaj punkty za zakupy **3.** Wymieniaj punkty na rabaty, przygody i inne nagrody | **1.** Zaregistrujte se **2.** Sbírejte body za nákupy **3.** Vyměňujte body za odměny, zážitky, slevy a spoustu dalšího | **1.** Zaregistrujte se **2.** Získavajte body za nákupy **3.** Uplatnite si body a získajte odmeny, rôzne zážitky, zľavy a ešte viac | **1.** Regisztrálj **2.** Szerezz pontokat minden vásárlással **3.** Váltsd be pontjaidat jutalmakra, élményekre, kedvezményekre és egyebekre | **1.** Înscric-te **2.** Câștigă puncte pentru achiziții **3.** Valorifică puncte pentru recompense, experiențe, reduceri și multe altele | **1.** Регистрируйте се **2.** Получайте точки за покупки **3.** Используйте точки за награды, услуги, отстъпки и т.н. | **1.** Reģistrējies **2.** Pelni punktus par pirkumiem **3.** Izmanto punktus, lai saņemtu balvas, izklaides iespējas, atlaides un daudz ko citu | **1.** Registreeru **2.** Teeni ostude eest punkte **3.** Lunasta punktide eest preemiad, elamused, allahindlused ja muu | **1.** Užsiregistruokite **2.** Pelnykite taškų už pirkinius **3.** Panaudokite taškus atlygiui, funkcijoms, nuolaidoms ir ne tik



'ONE DAY I'LL BUILD A LAND ROVER'. ONE DAY IS NOW.

A trusted, trail-blazing traveller on off-road explorations, a symbol of rugged strength and a nostalgic collectible. Originally built in post-World War II Britain as a sturdy and reliable farm utility vehicle, the versatile Land Rover has become one of the most recognised and coveted vehicles

in the world. For 75 years, Land Rover models have evolved with innovative technology and design. Still, the appeal of the original hands-on construction and mechanics is felt in the details of every new generation; most of all in the Land Rover Defender series.



1948

75 YEARS OF LAND ROVER DEFENDER

Durability and capability in design and performance have dominated Land Rover models through the decades. Follow in the path of some of the most legendary Land Rover models.



**1948
THE LAND ROVER SERIES I**
The affectionately nicknamed "Farmer's Friend" debuts in post-war Britain

50s

**1958
THE LAND ROVER SERIES II**
The updated model features a new 2.25-liter (.59 US gallon) petrol engine



**2020
THE NEW LAND ROVER DEFENDER**
A new generation of Defender celebrates the legacy of a legend



10s

2015
A trio of end-of-line Defenders marks a temporary farewell to the Land Rover



20s

60's

1969

In the Series II visual update, headlamps are moved to the front wings



70's

1971

THE LAND ROVER SERIES III

The third generation of the iconic Land Rover is launched



1976

The 1,000,000th Land Rover is built

2007

Bonnet bulge added to incorporate new Ford Puma engine

1990

DEFENDER

The original "Landie" is relaunched under a new name



1983

Land Rover goes coil-sprung with the launch of the One-Ten and Ninety

80's

00's

90's





23

LEGO® LAND ROVER CLASSIC DEFENDER 90

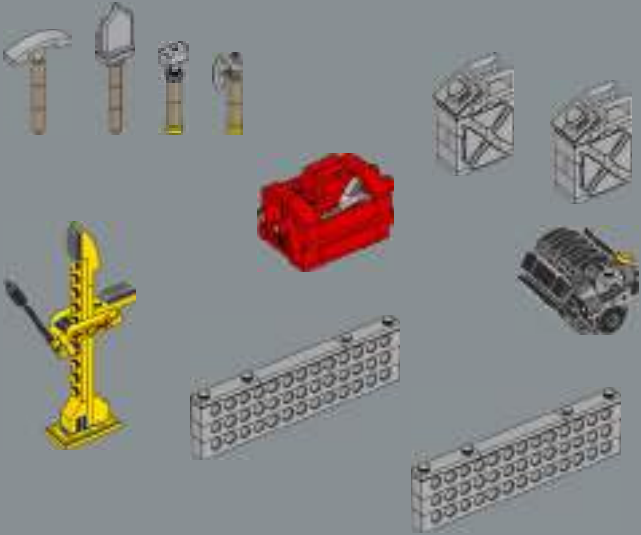
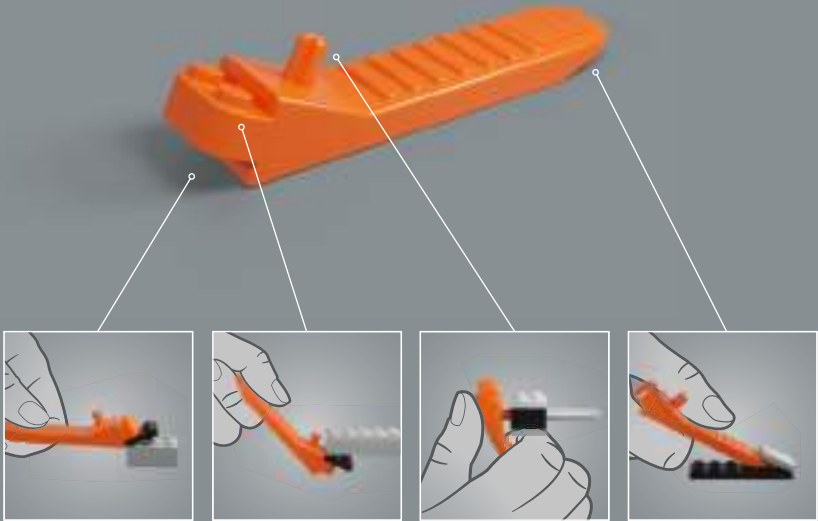
A buildable tribute to Land Rover classic Defender 90 models released from 1983–2016

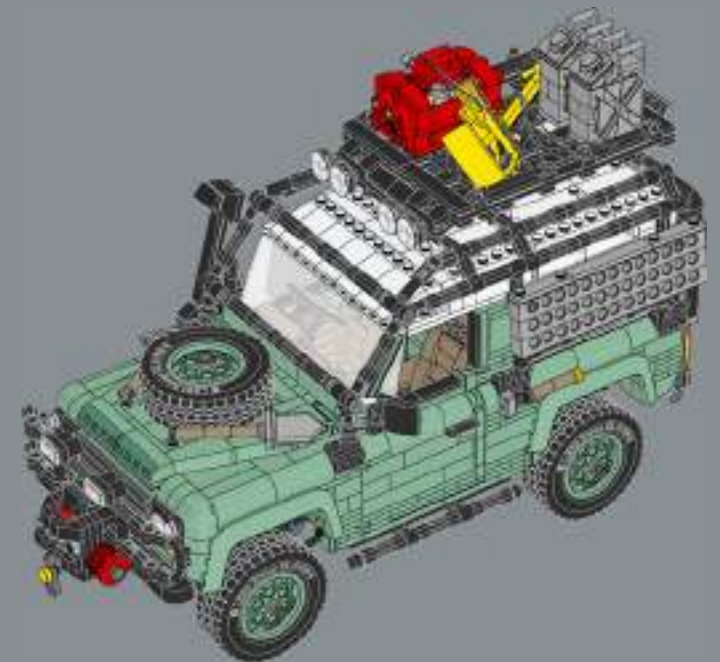
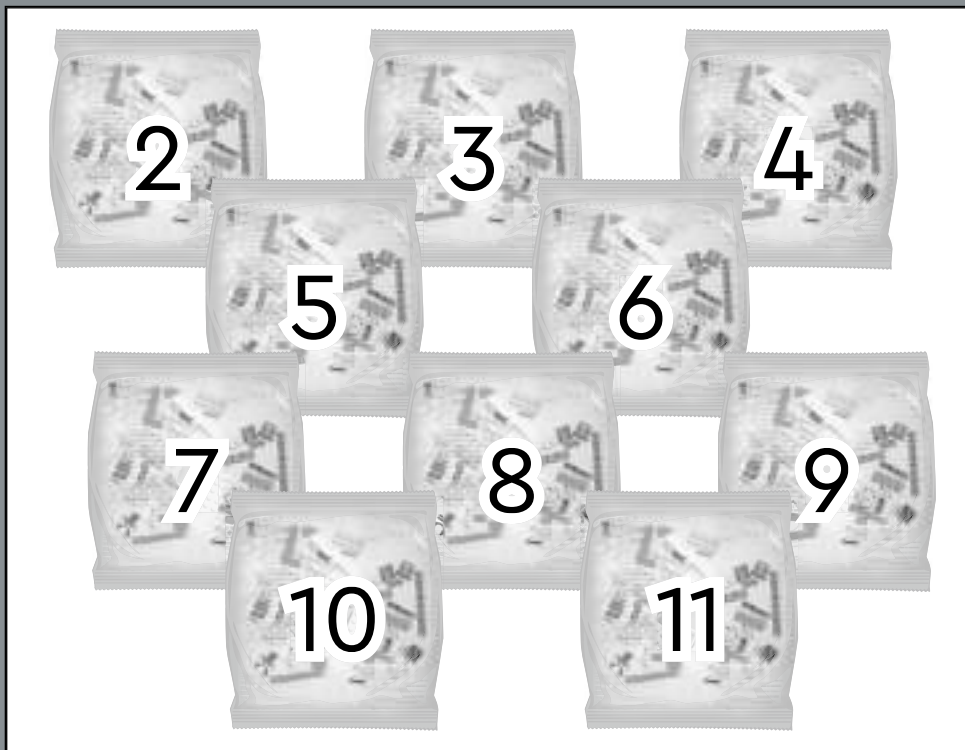
A WORD FROM THE DESIGNER

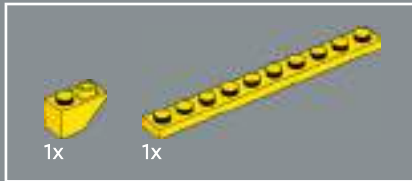
'We're so excited to present this set in collaboration with Land Rover. Each Land Rover Defender has its own story, its own personality and inspires a sense of adventure everyone can relate to. It's the ultimate utility vehicle that will take you anywhere, from deserts and mountains to urban highways and country byways. This model represents an amalgamation of Land Rover classic Defender 90 models released between 1983 to 2016, with authentic accessories and equipment. To capture the versatility of the Defender, the model is designed with multiple options for both exterior and interior features, just like when you order the real-life version. So, buckle up and enjoy the ride. Welcome to the LEGO® Land Rover family!'

KURT KRISTIANSEN
LEGO® DESIGN MASTER
Designer of the 10317 LEGO Land Rover
classic Defender 90

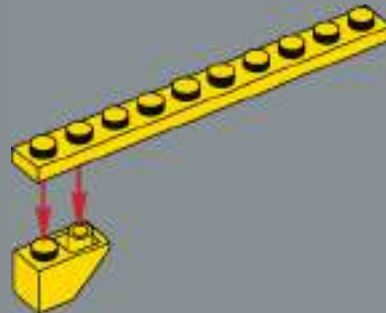




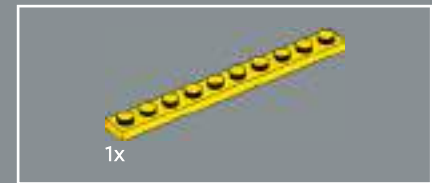
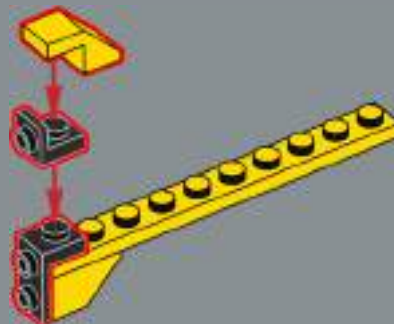




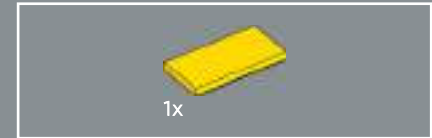
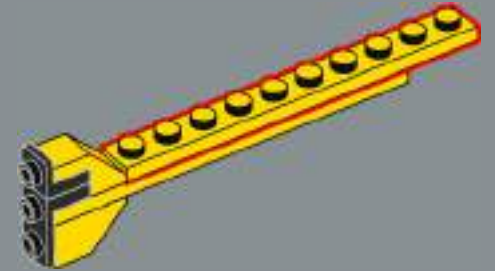
1



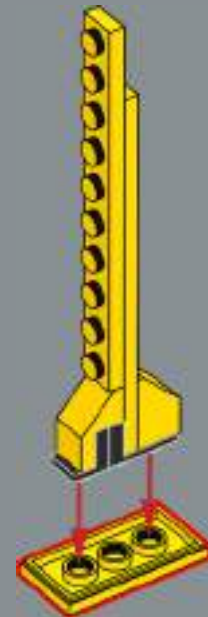
2



3

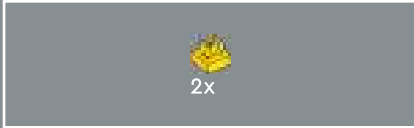


4





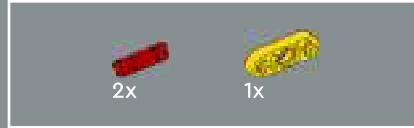
5



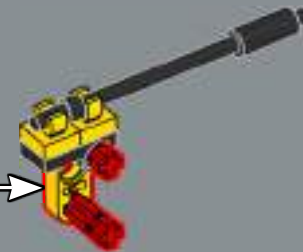
6

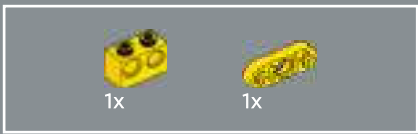


7

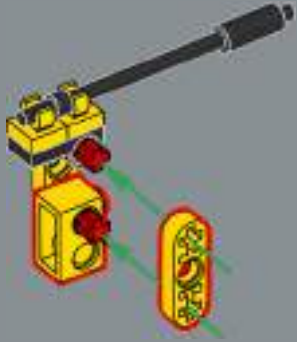


8





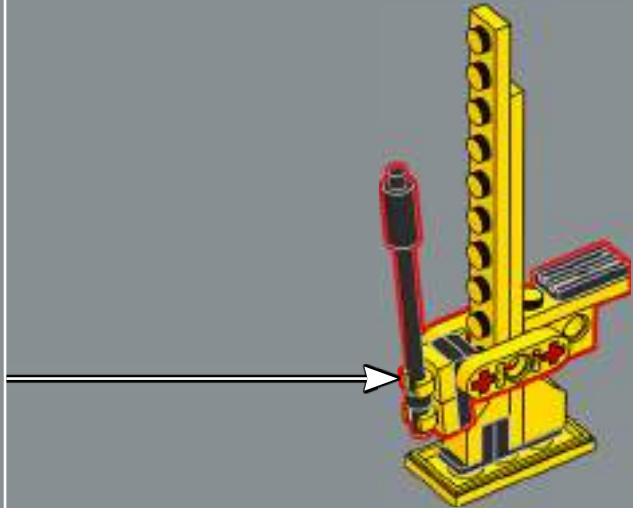
9



10

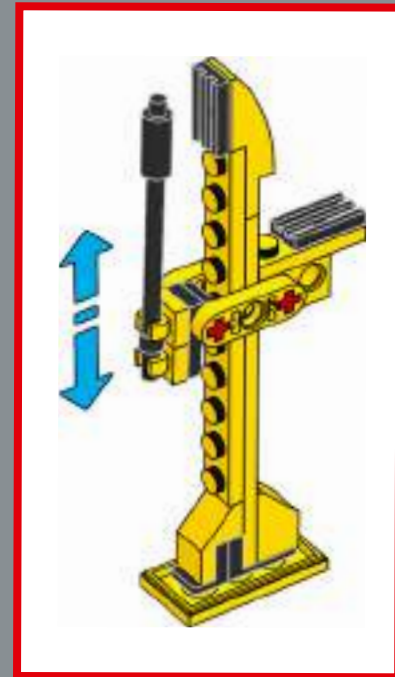
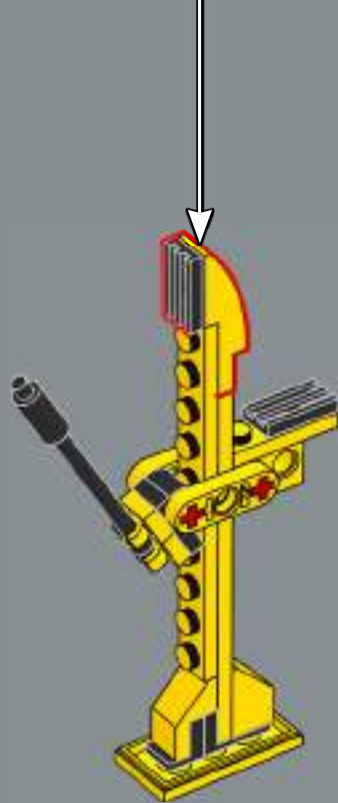
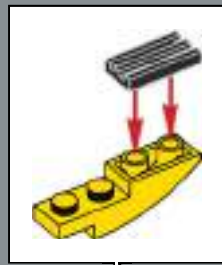


11



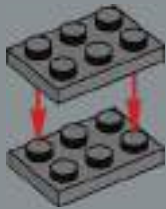


12

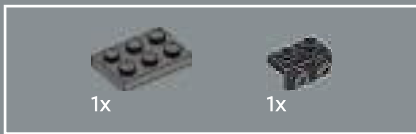
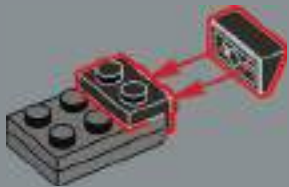




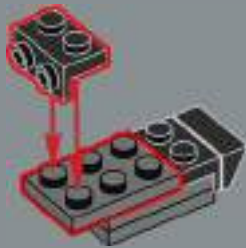
1



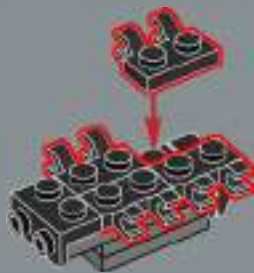
2



3



4



5

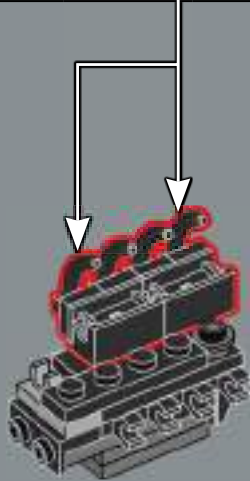
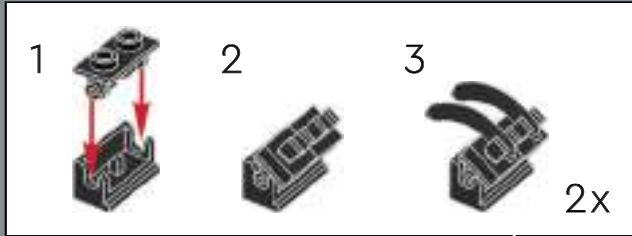


6

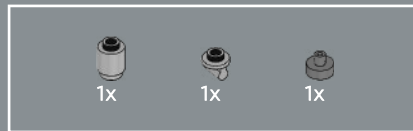
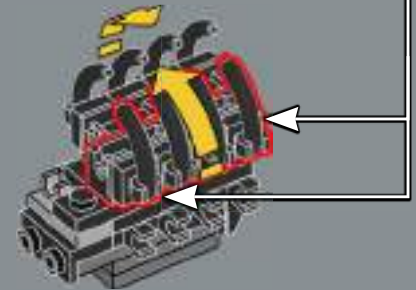
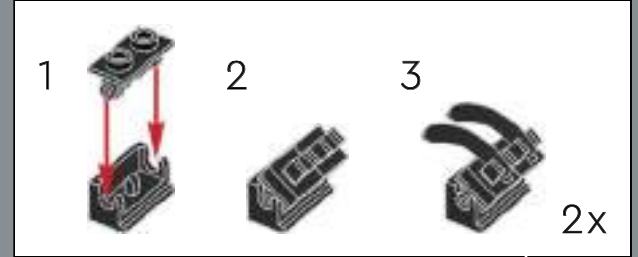




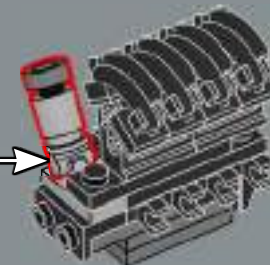
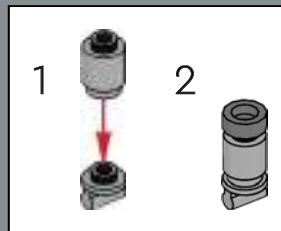
7



8

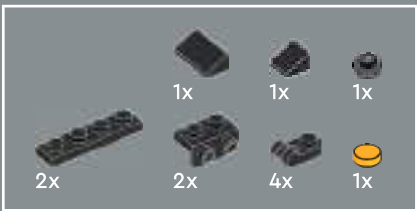
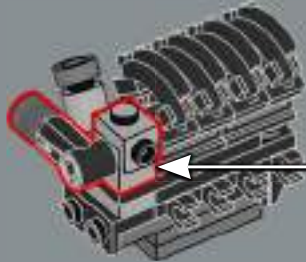
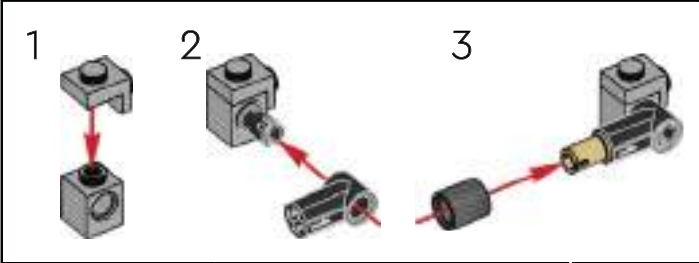


9

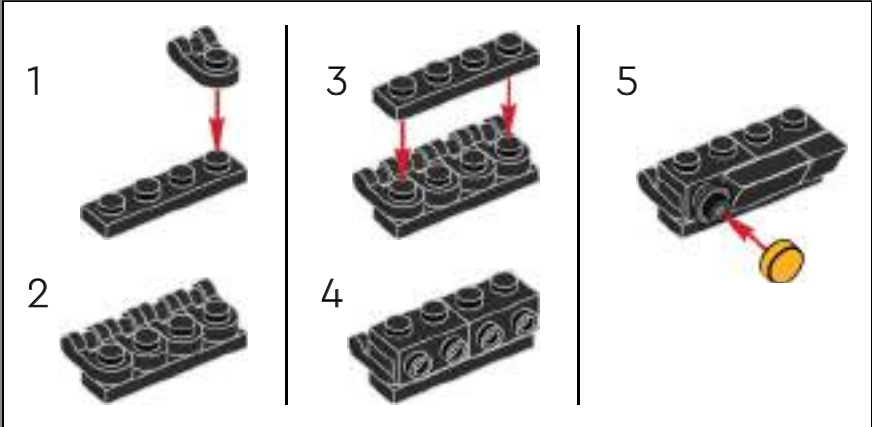




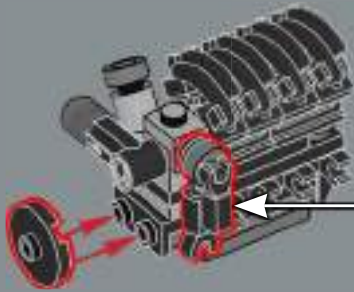
10

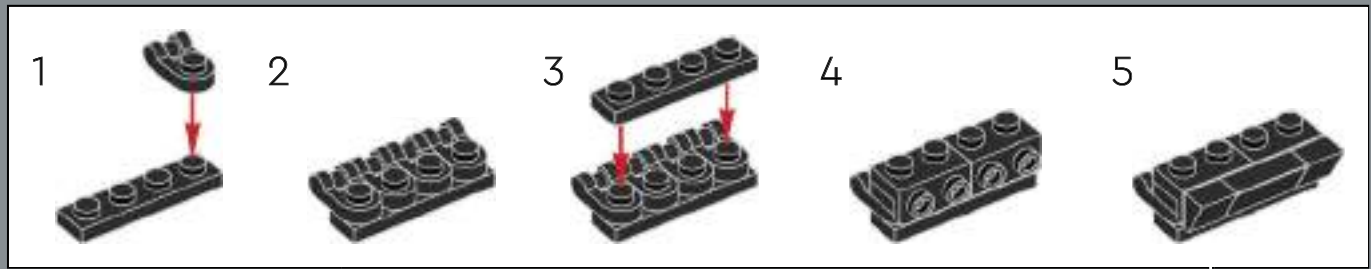
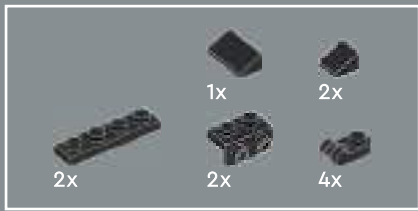


12

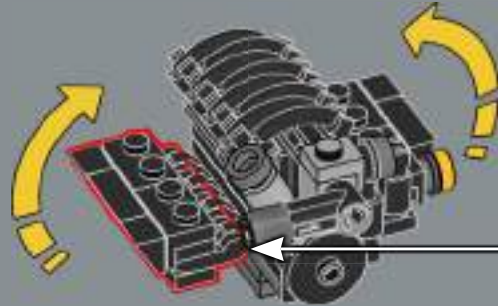


11



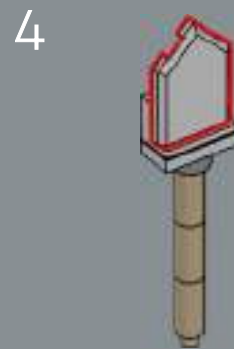
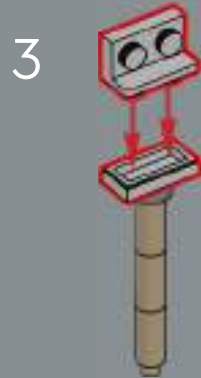
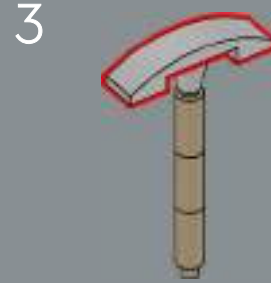
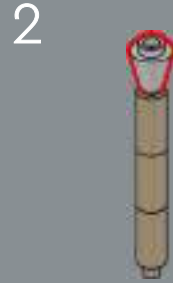
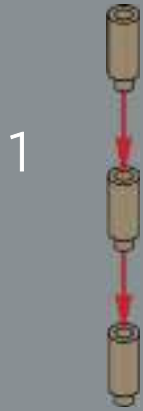


13



14







1



2



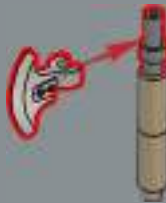
3



1



2

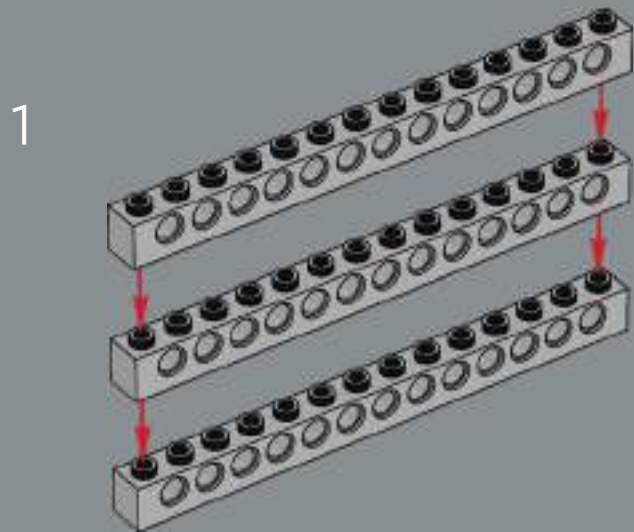
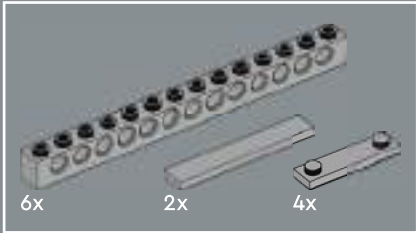
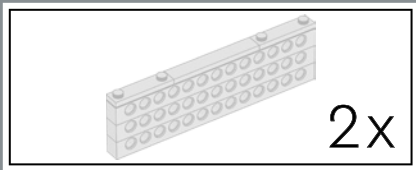


3

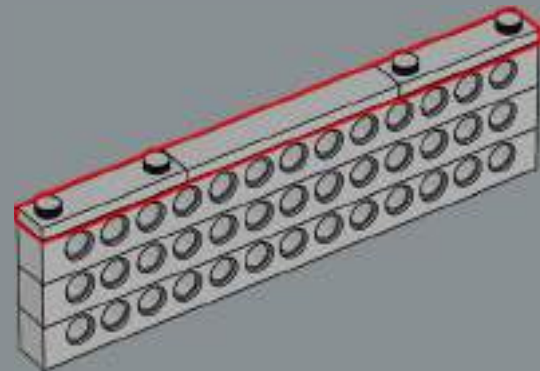




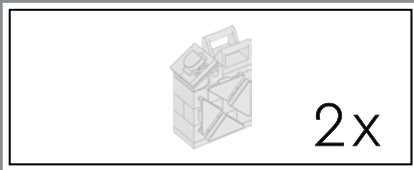
Did you know the sand plates were originally designed to build runways on soft or boggy ground?



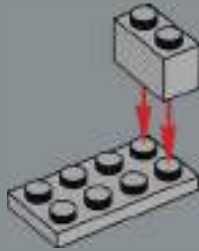
2



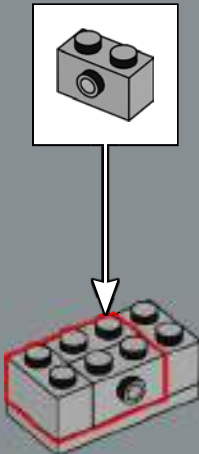
2x



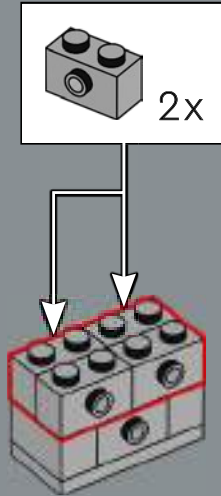
1



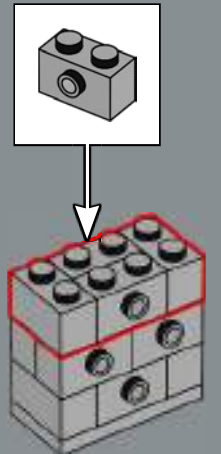
2



3



4

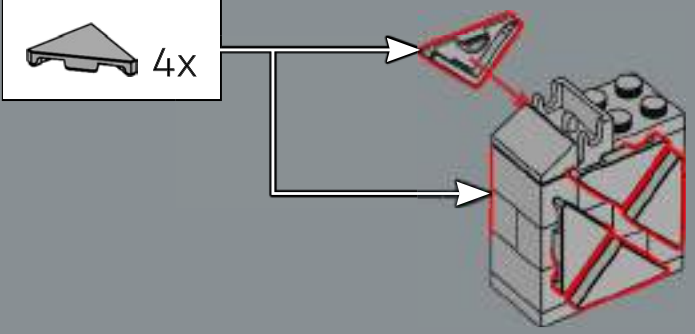




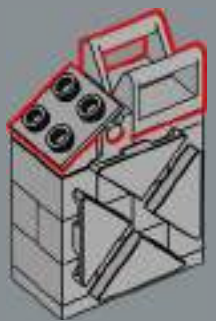
5



6



7

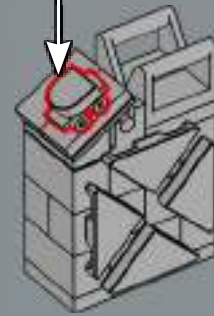




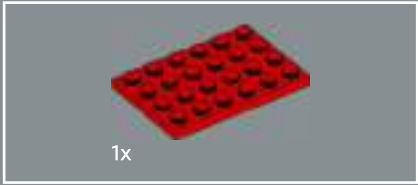
8



9



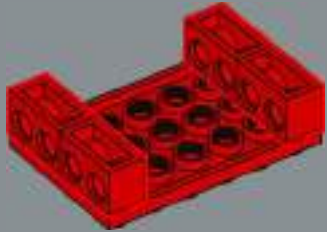
2x



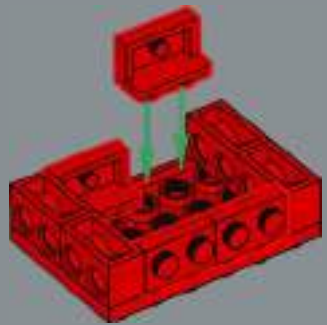
1



2

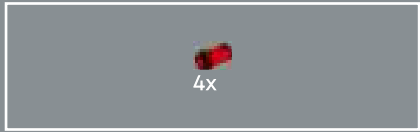
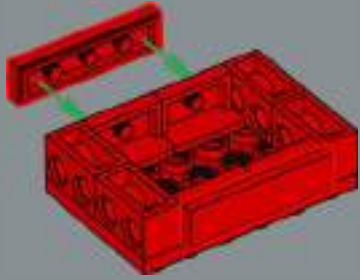


3

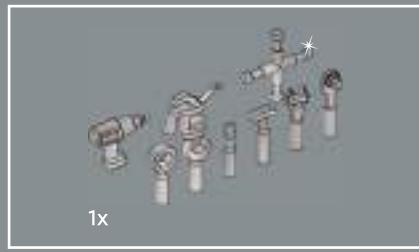
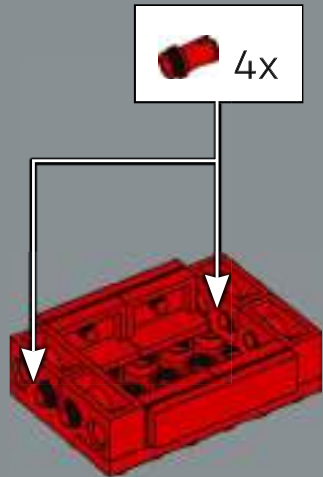




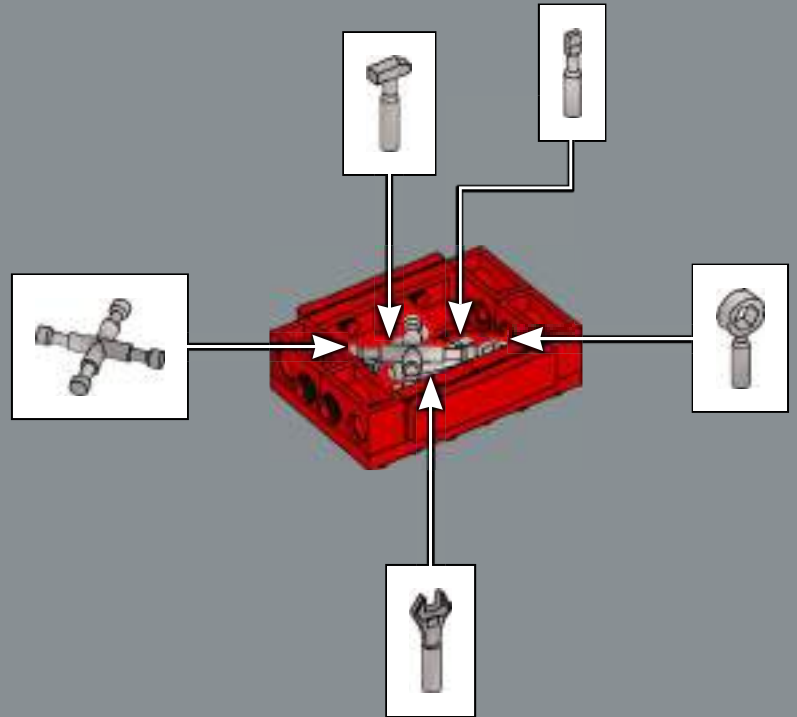
4

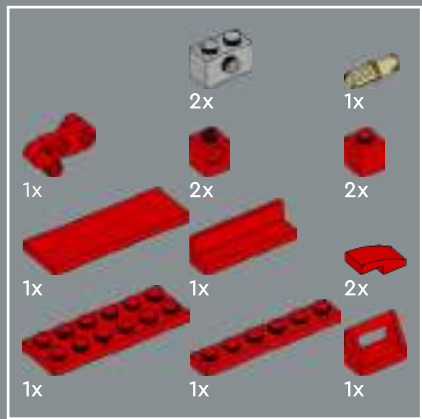


5

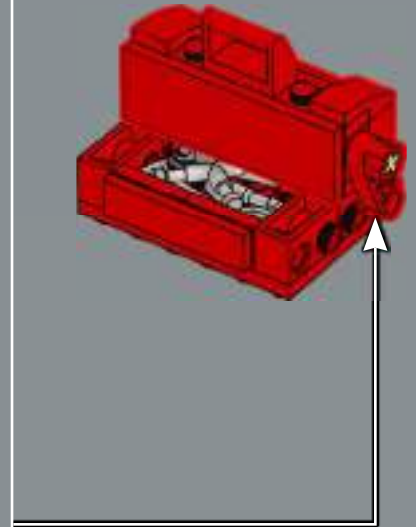
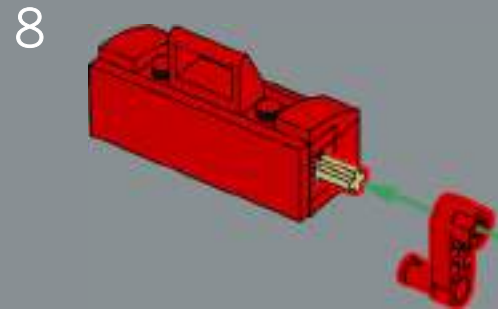
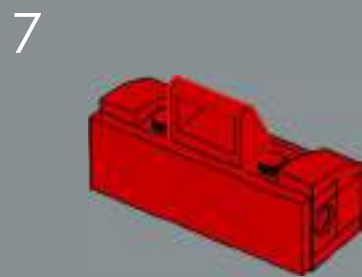
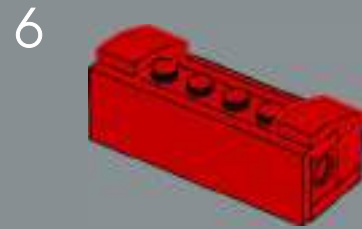
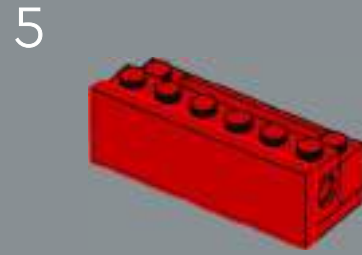
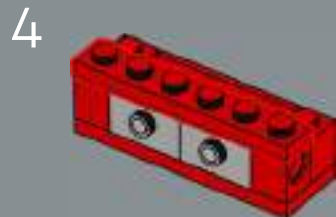
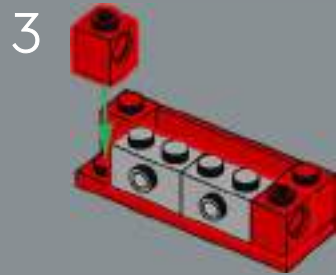
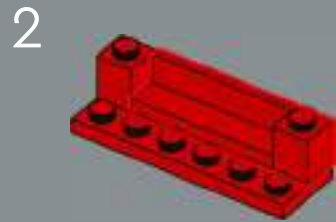
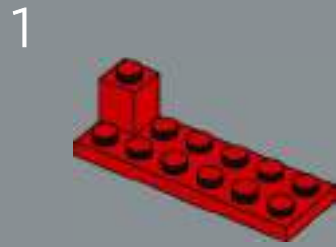


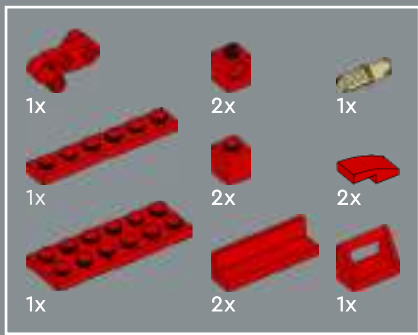
6





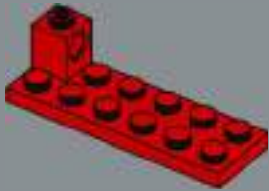
7



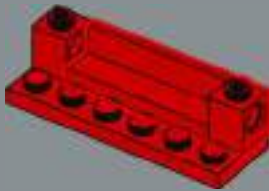


8

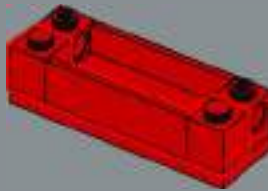
1



2



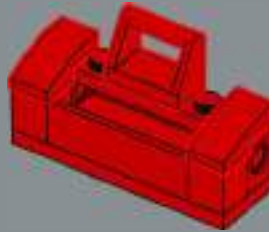
3



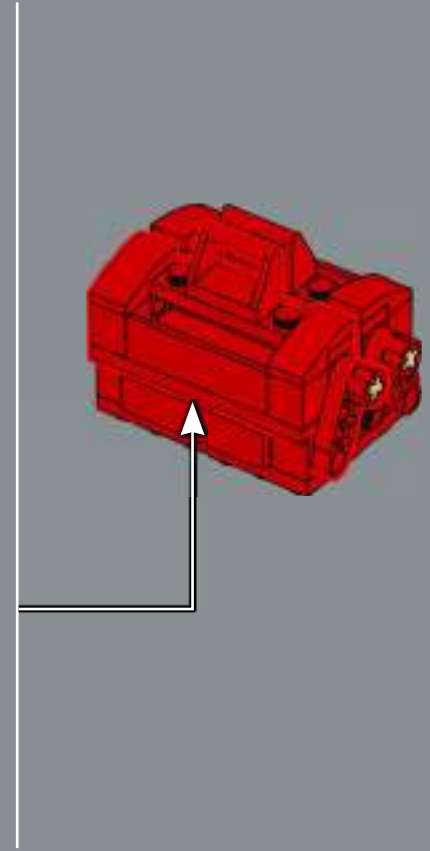
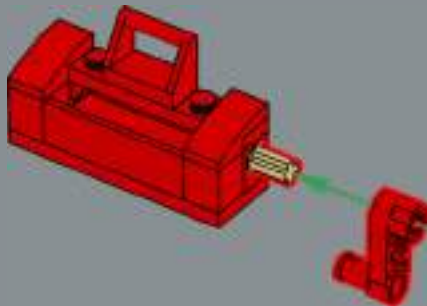
4



5

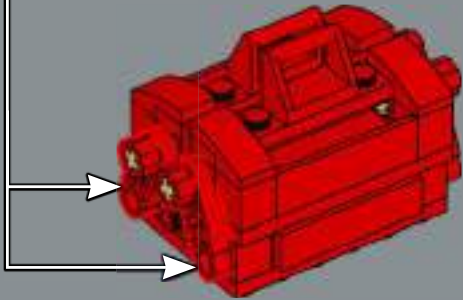
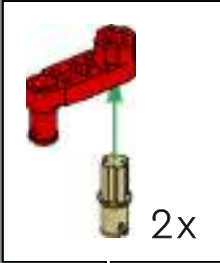


6

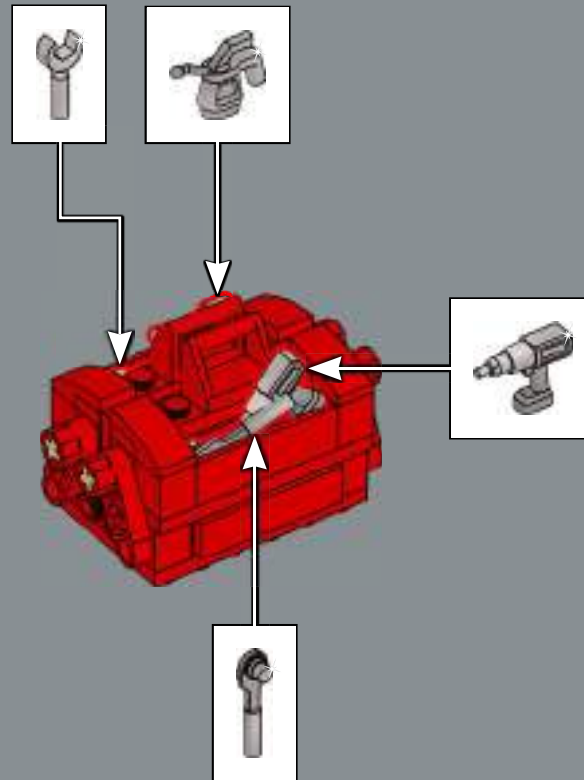


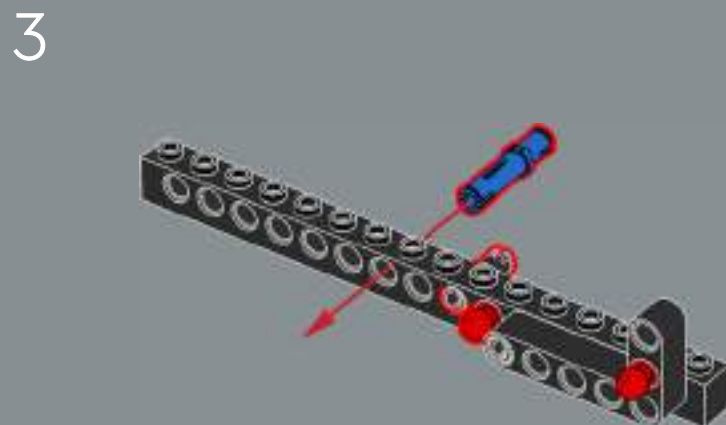
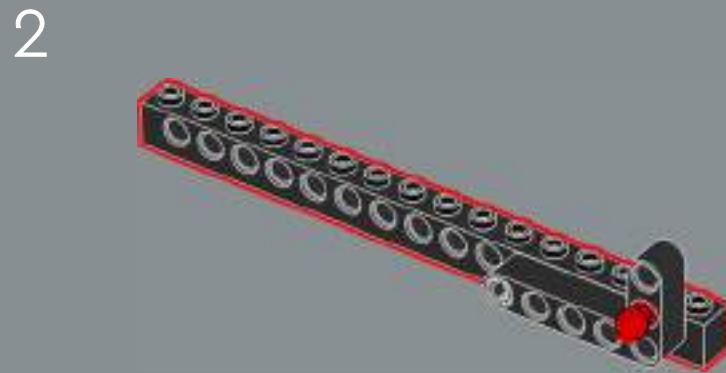
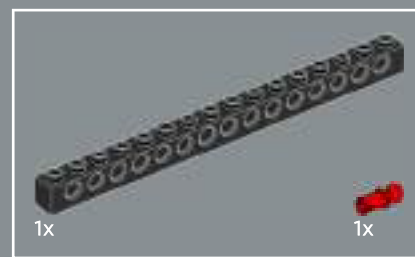
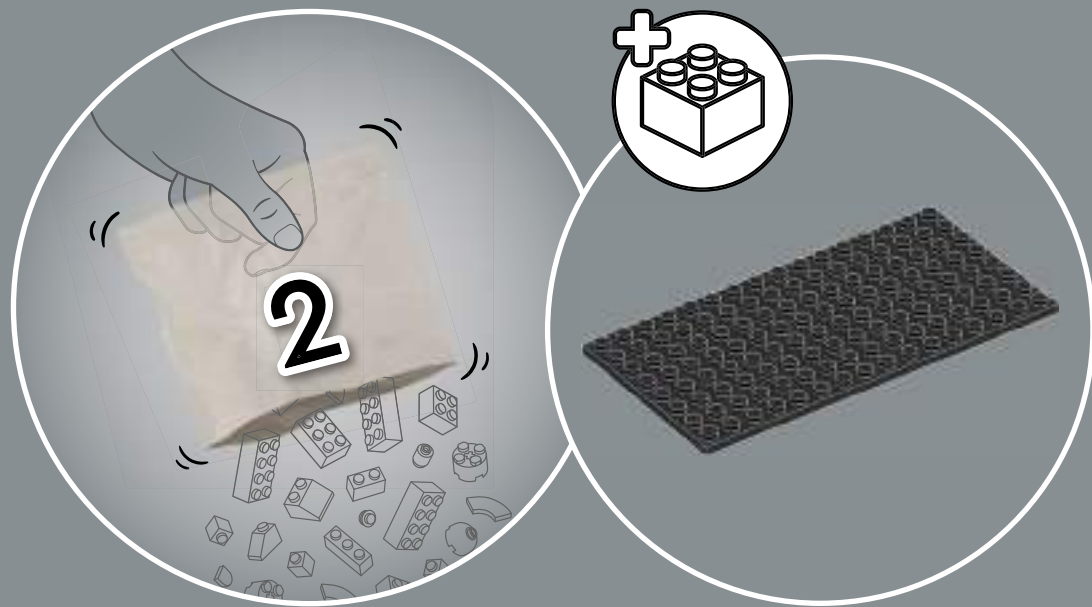


9



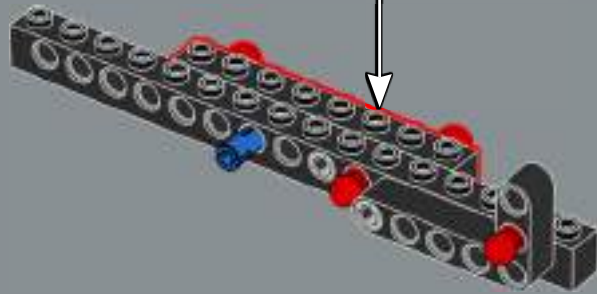
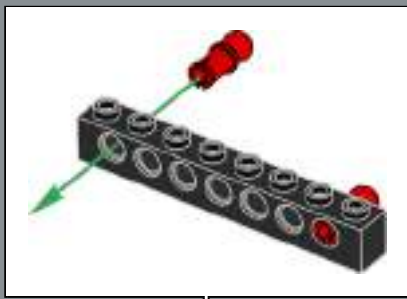
10



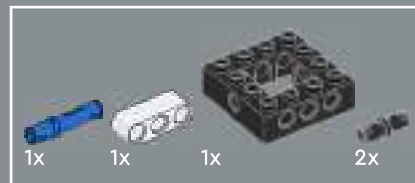
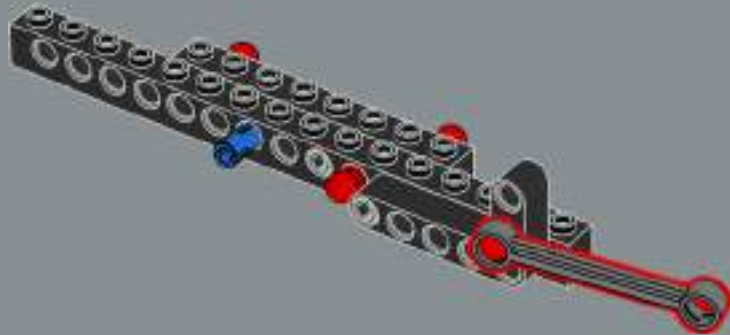




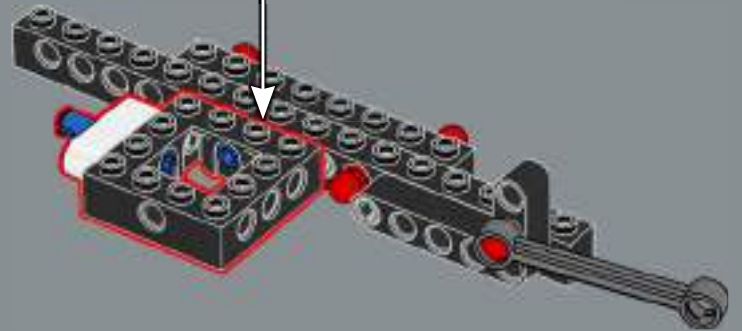
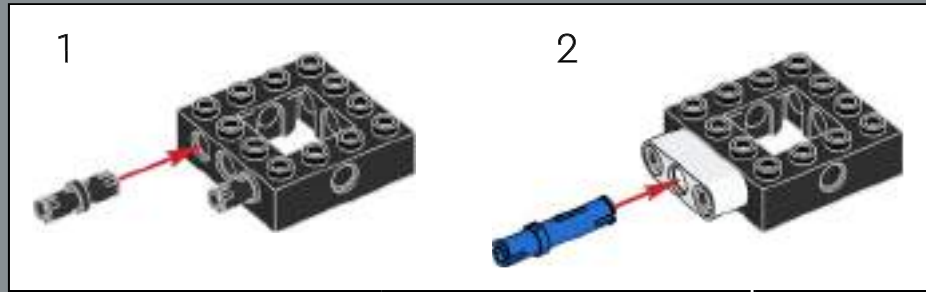
4



5



6

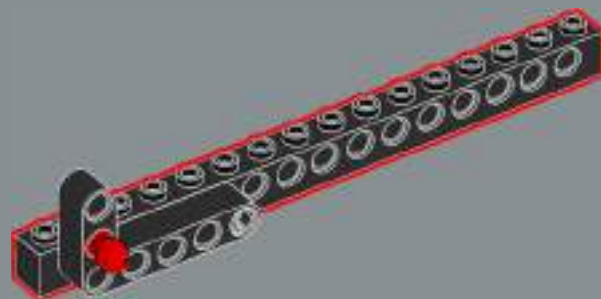




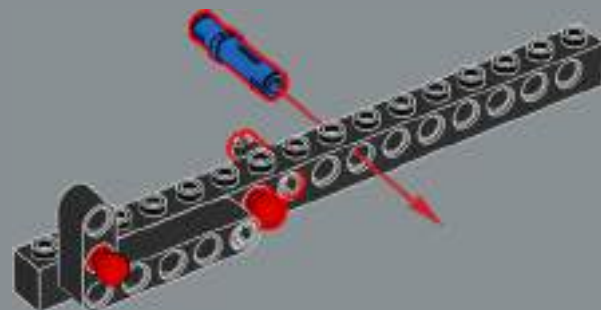
7



8

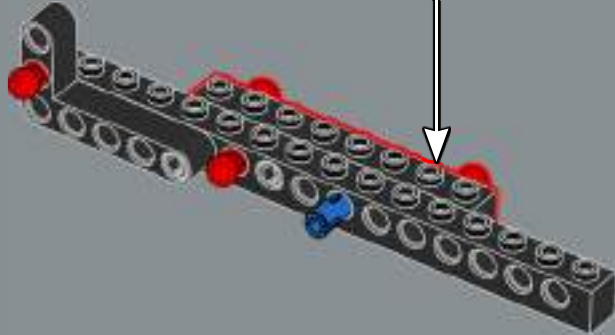
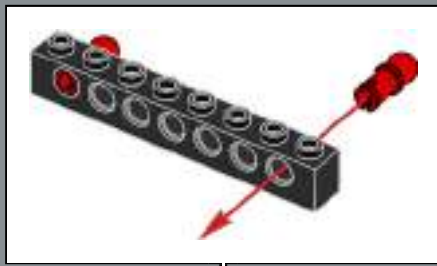


9

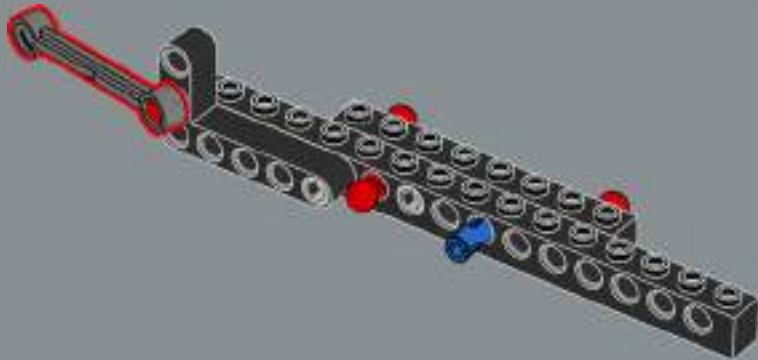




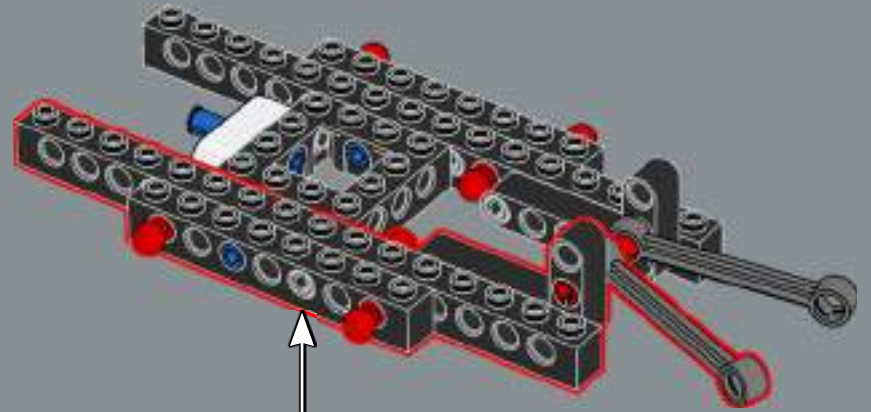
10

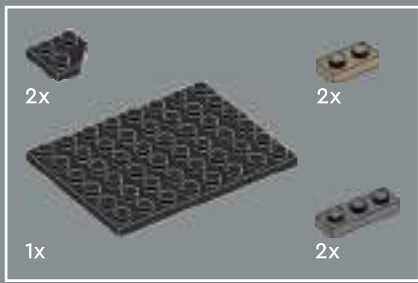


11

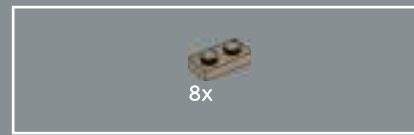
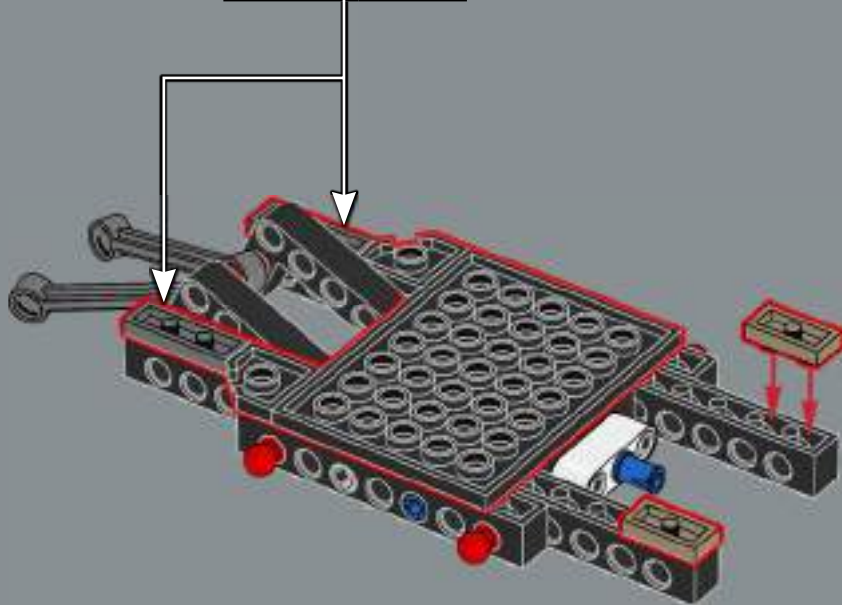
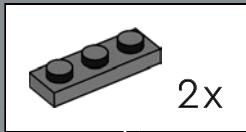


12

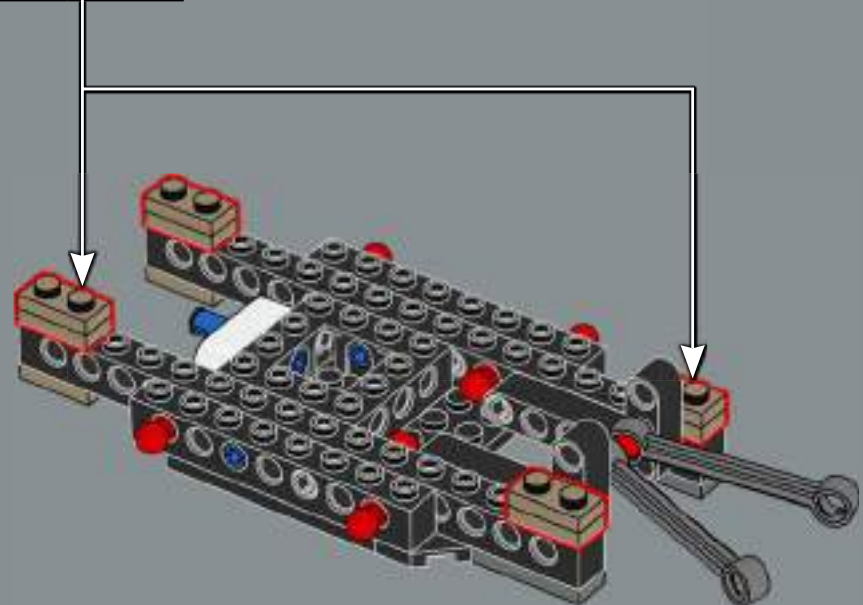
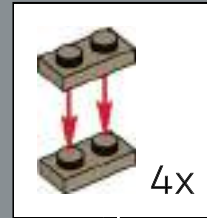


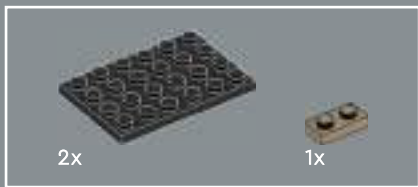


13

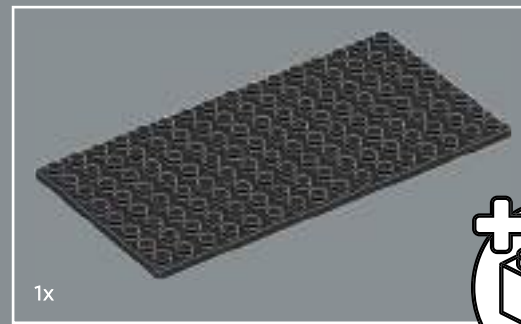
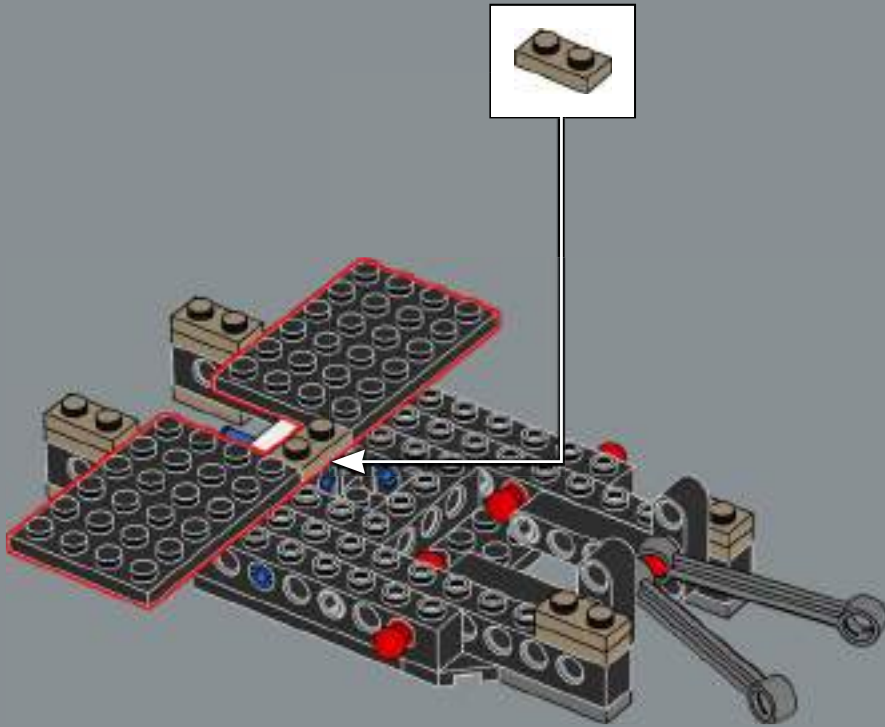


14

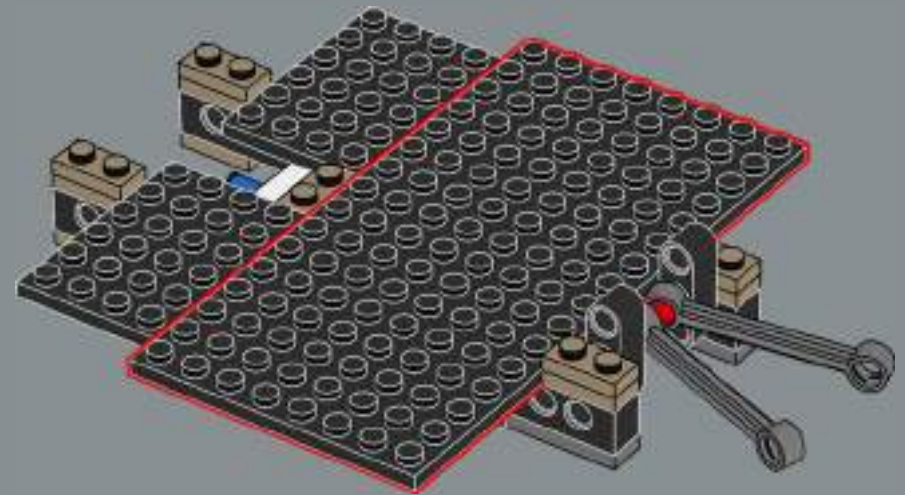
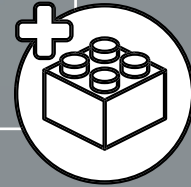




15

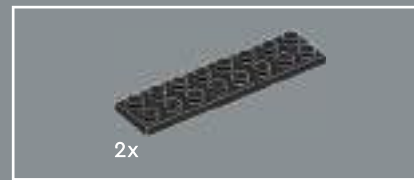
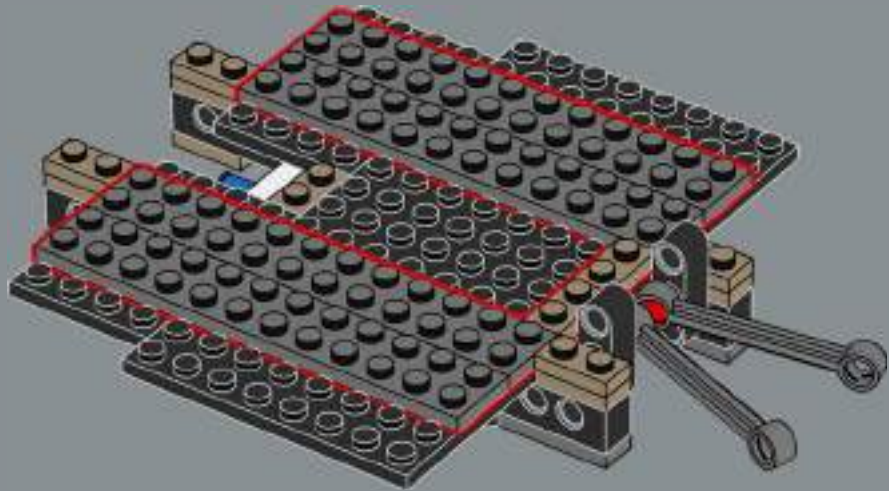


16

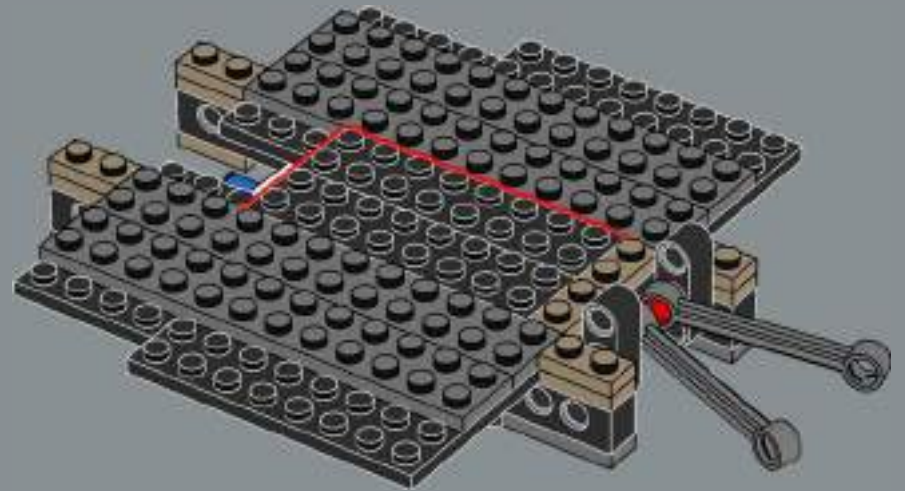


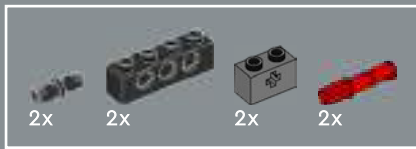


17

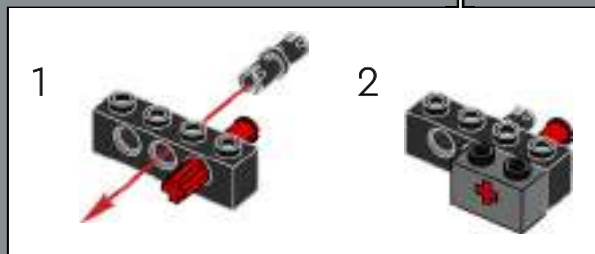
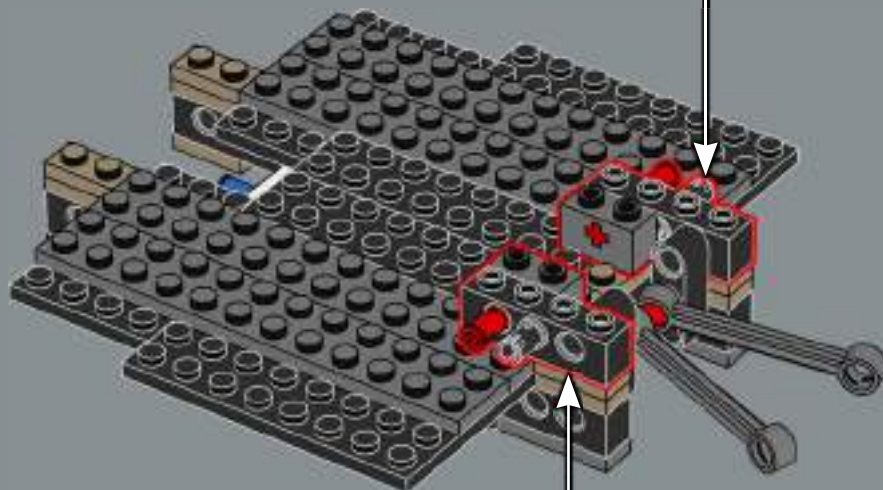
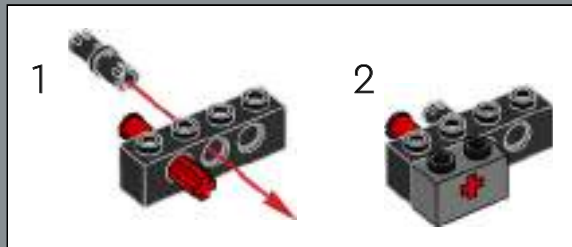


18

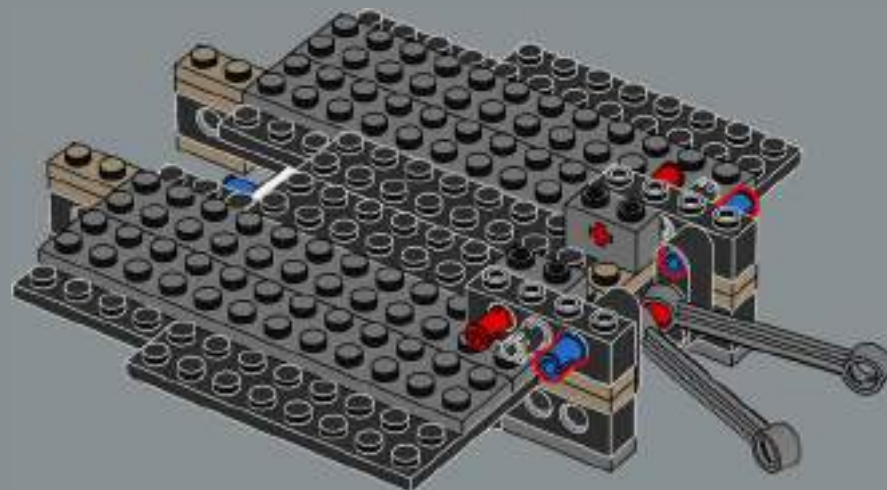


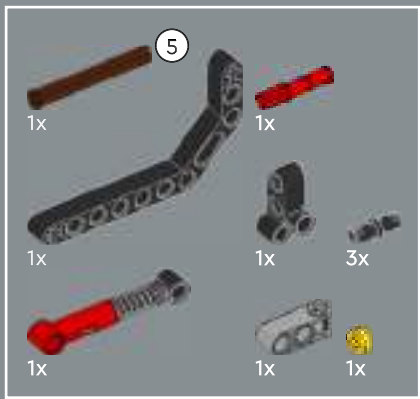


19



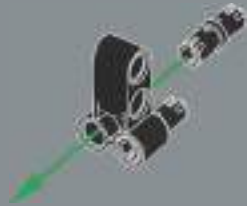
20



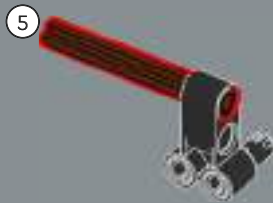


21

1



2



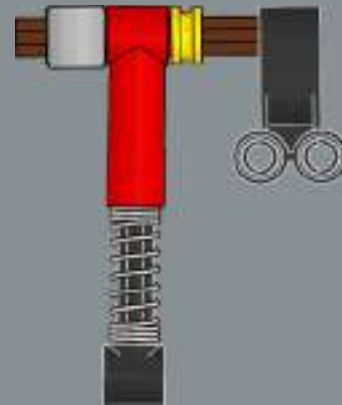
3



4

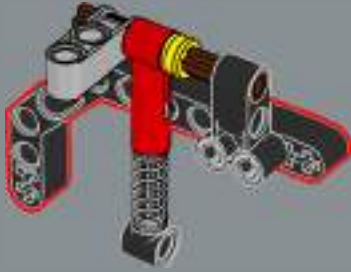


5

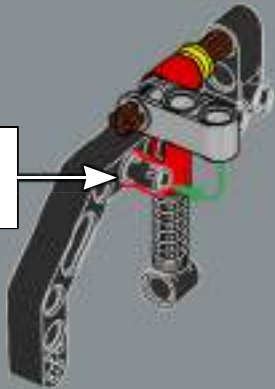


1:1

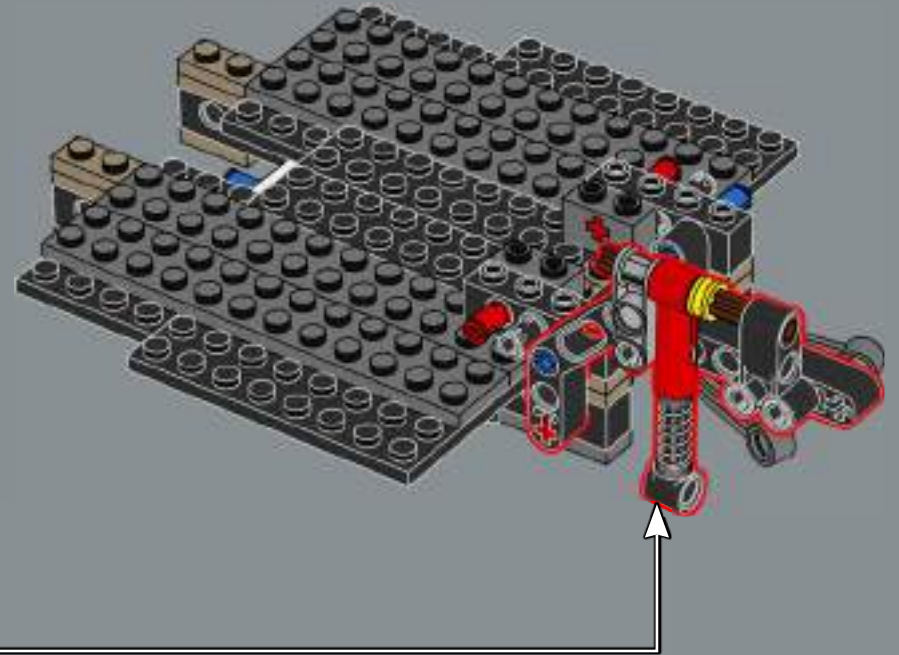
6

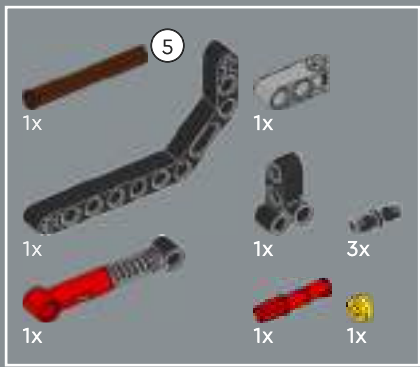


7



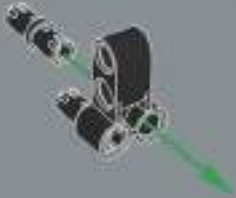
8





22

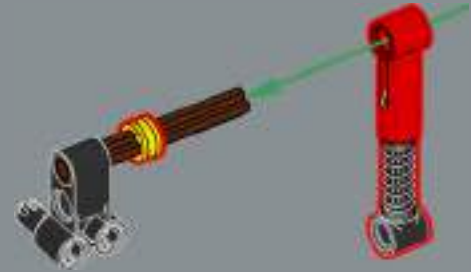
1



2



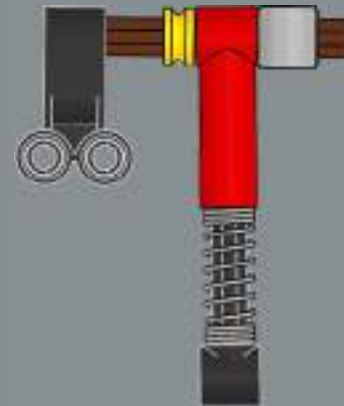
3



4

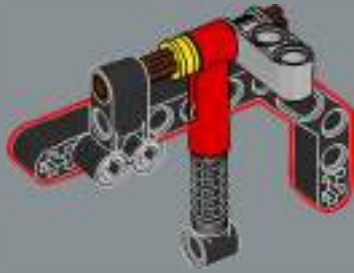


5

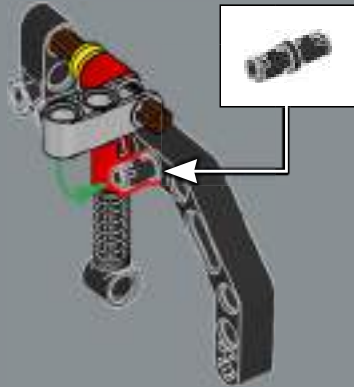


1:1

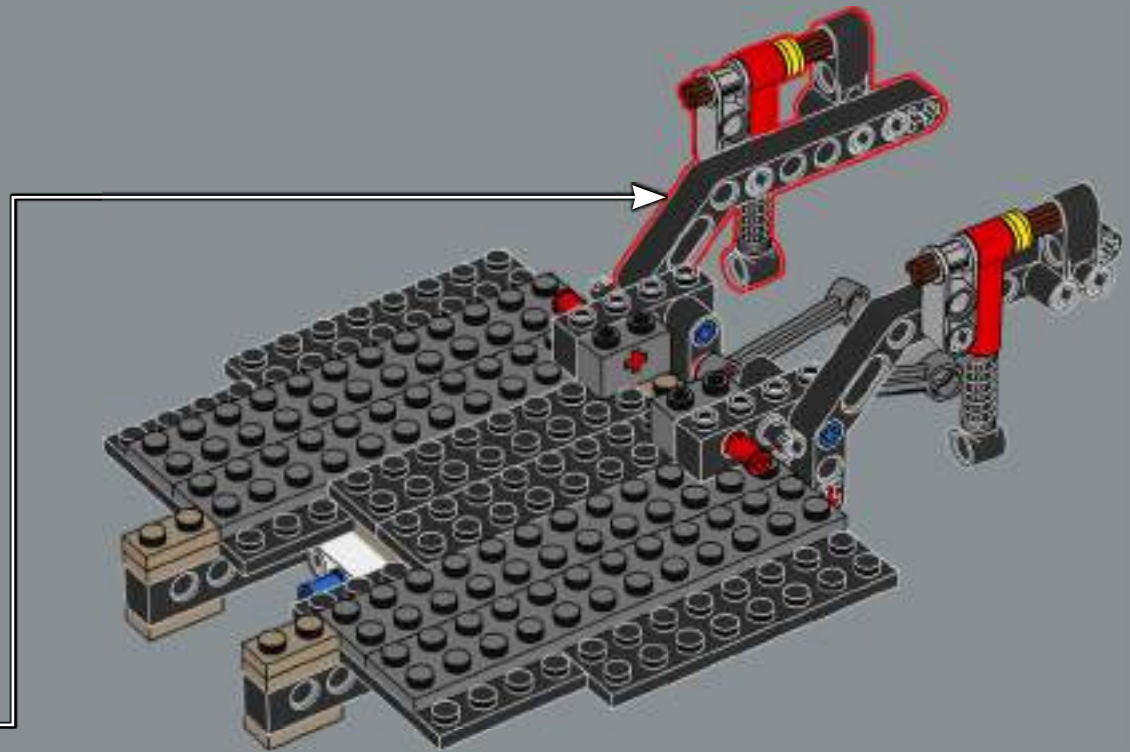
6

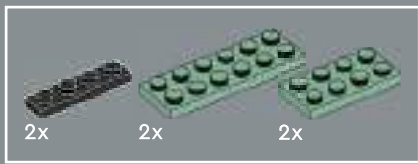


7

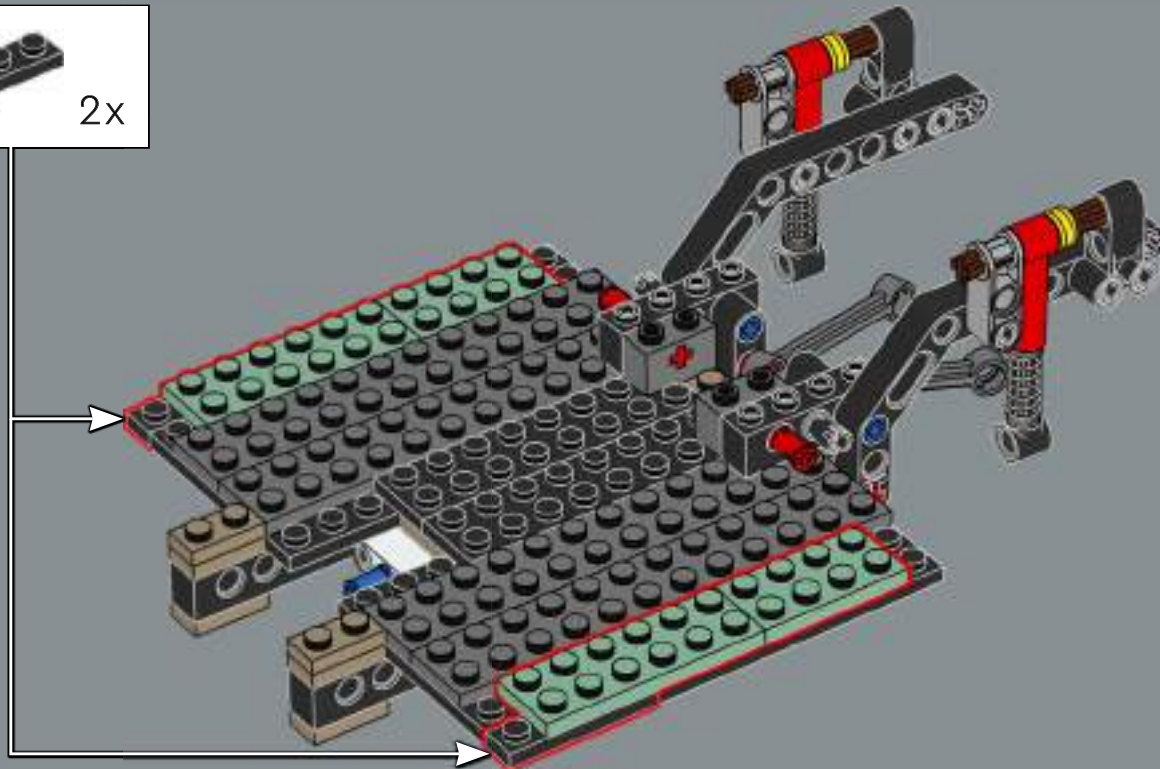


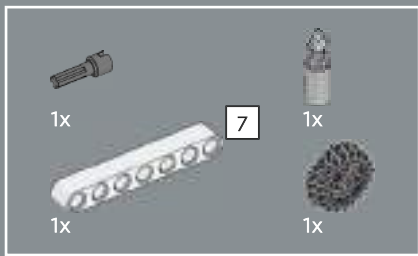
8



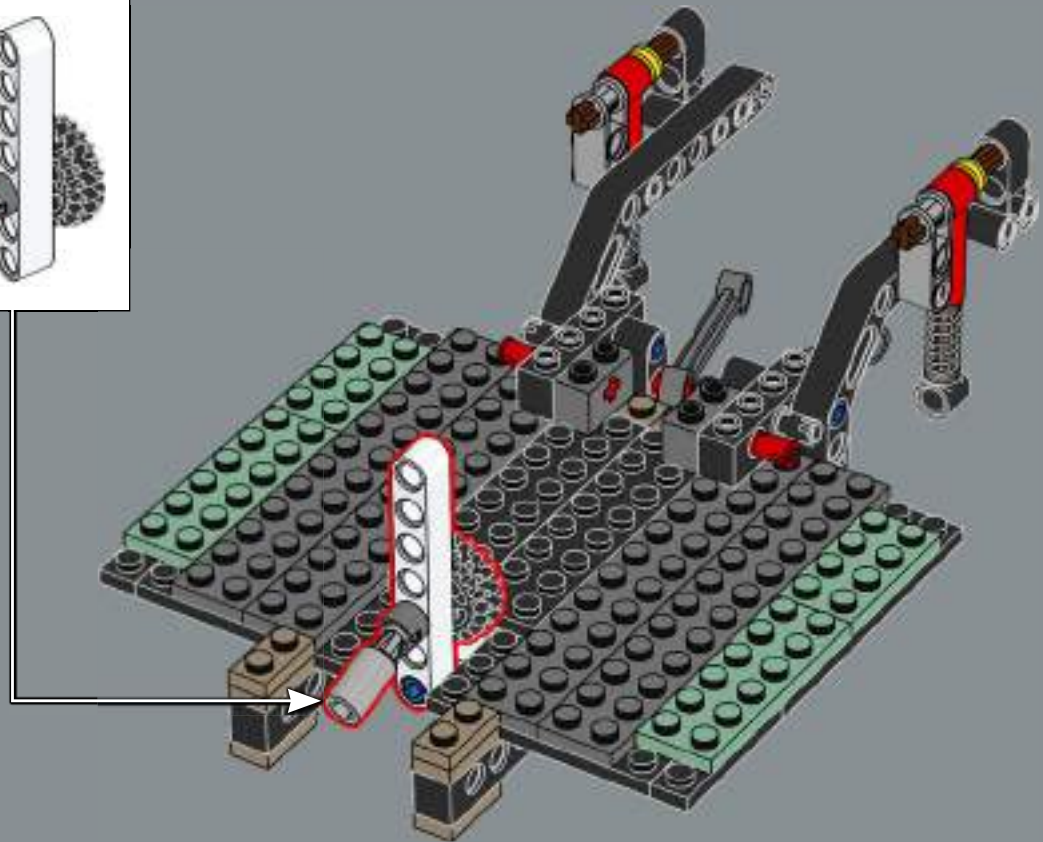
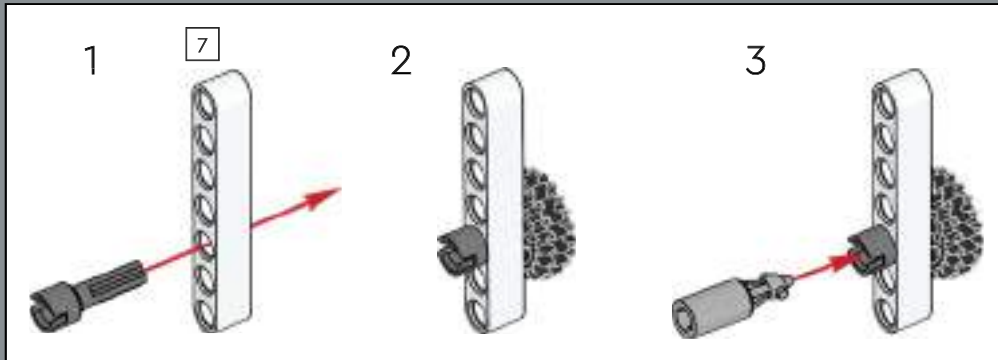


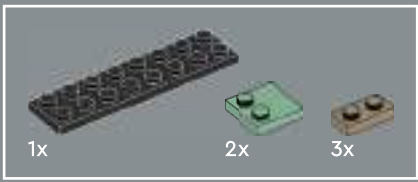
23



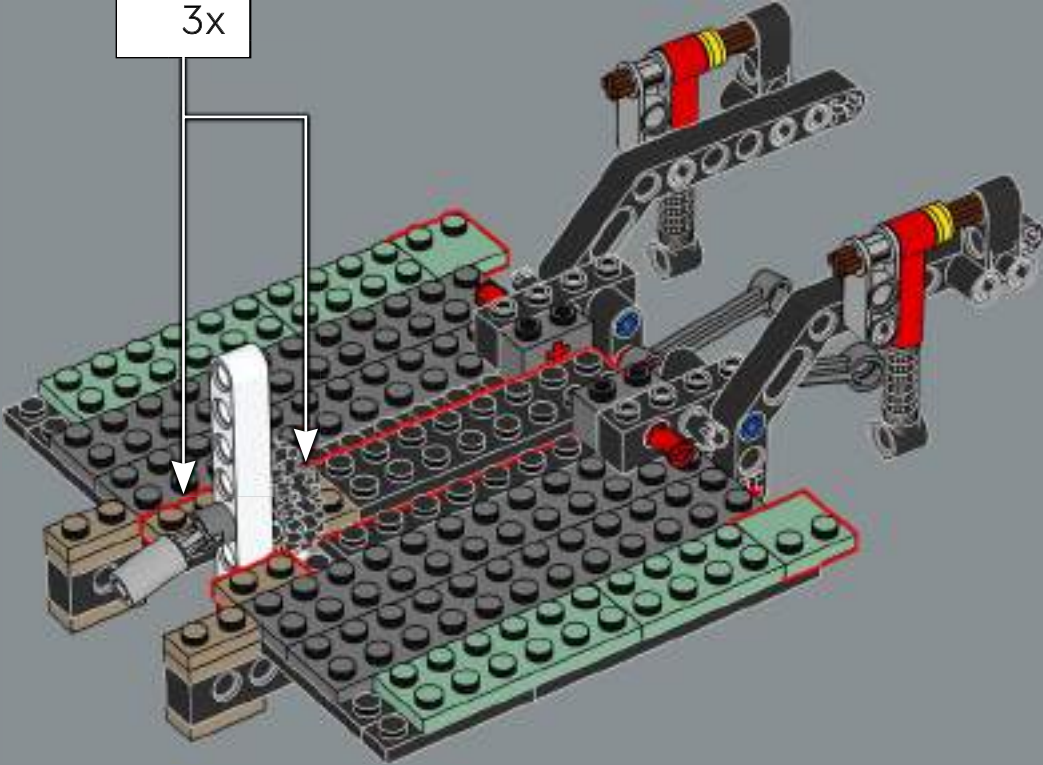


24



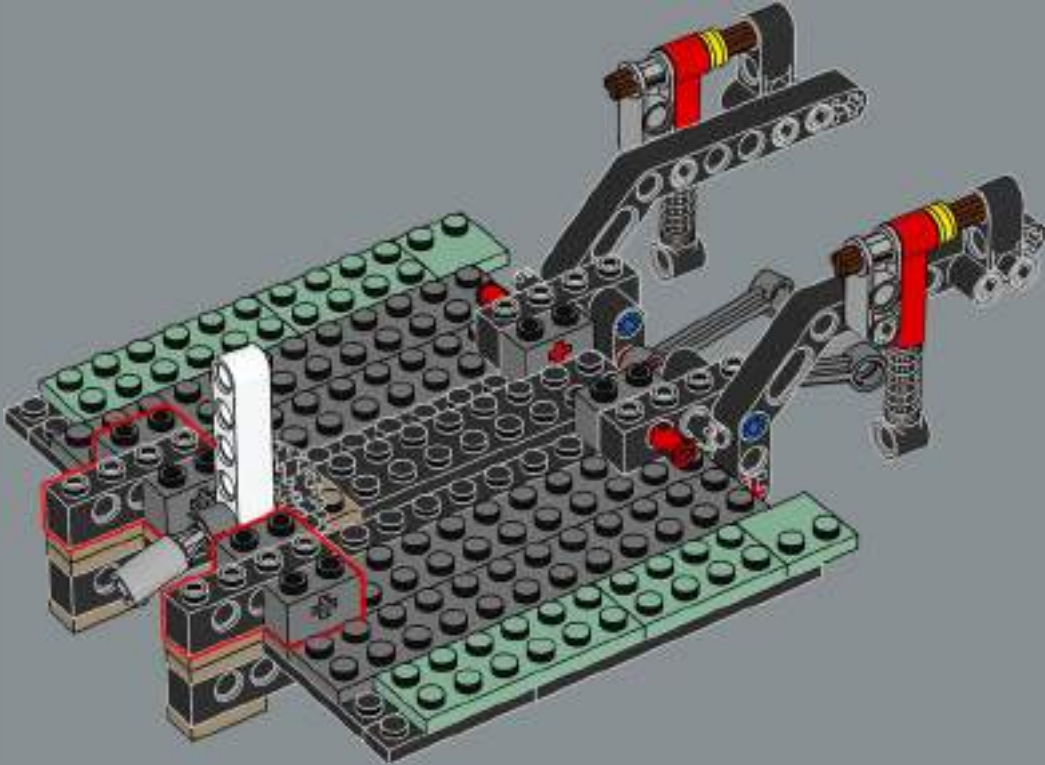


25





26





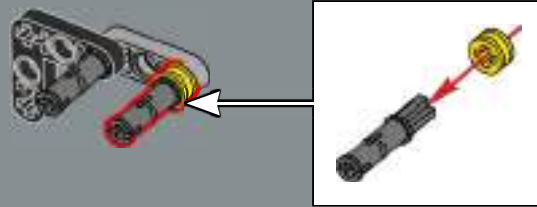
27



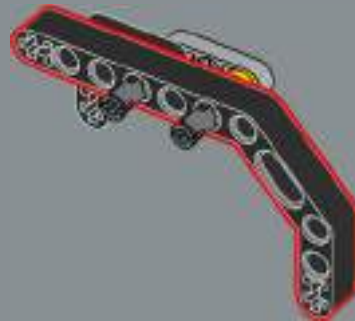
28



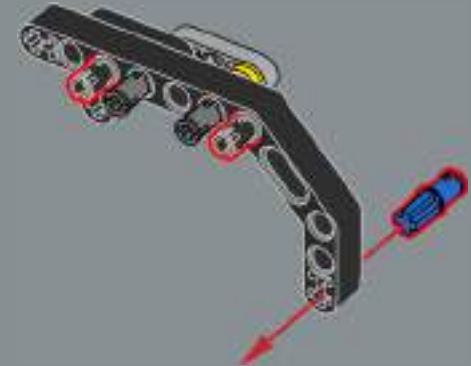
29

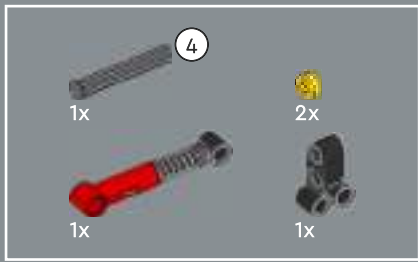


30

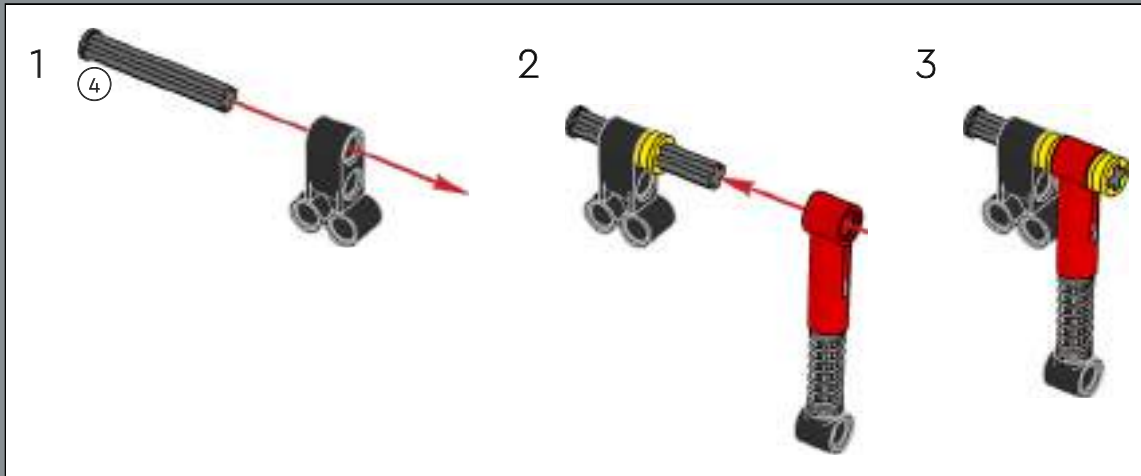


31

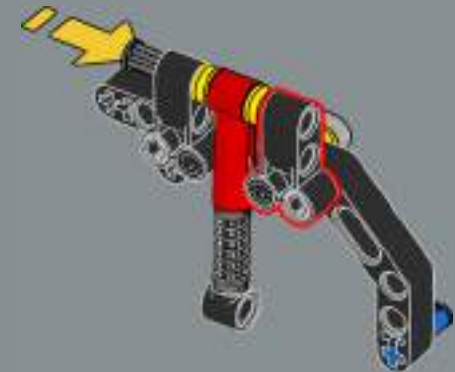


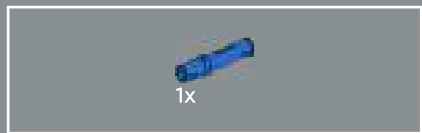


32

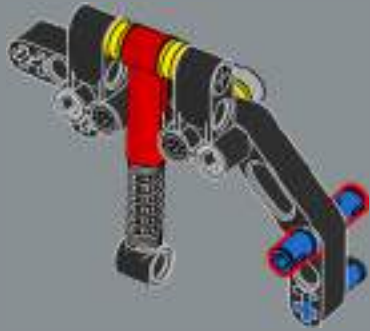


33

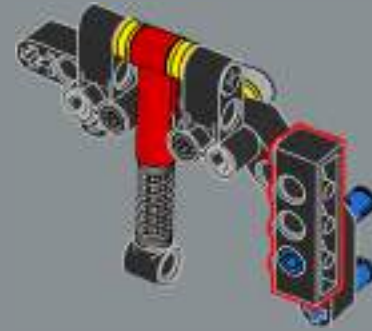




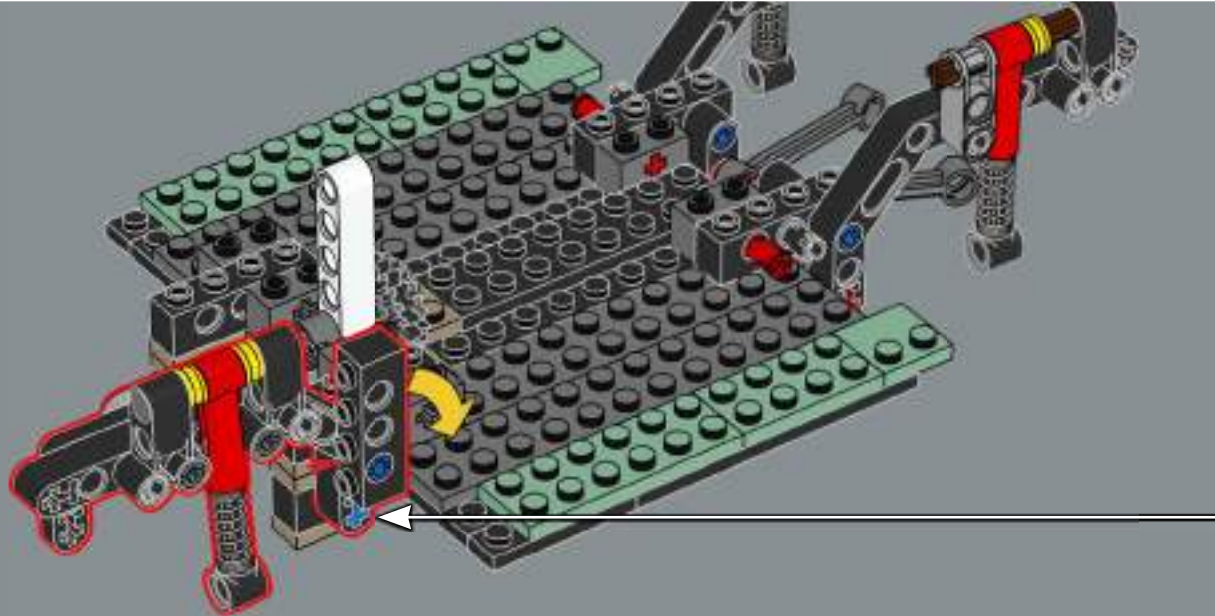
34

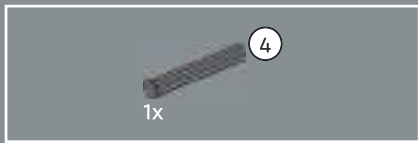


35

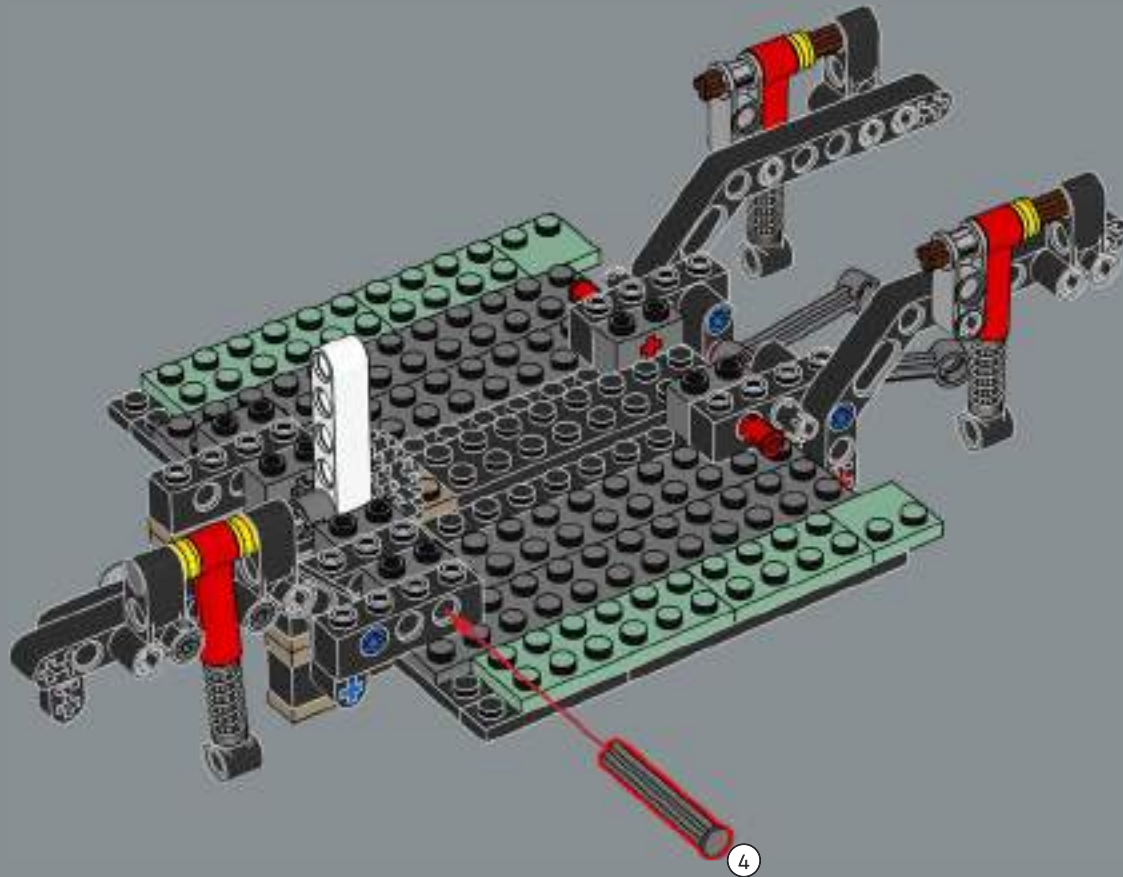


36





37





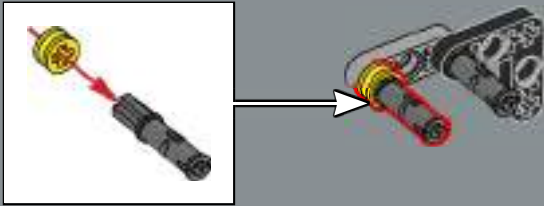
38



39



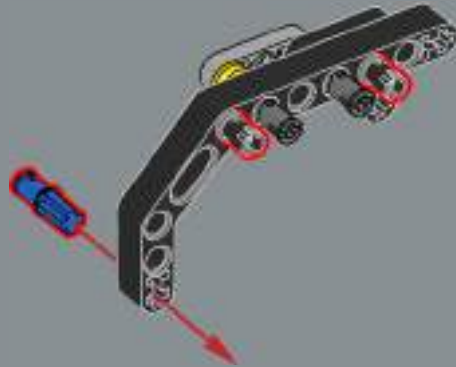
40

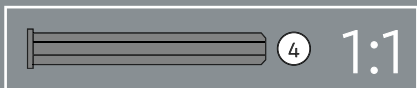
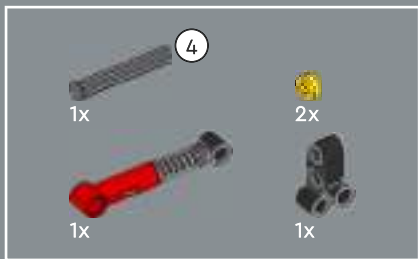


41



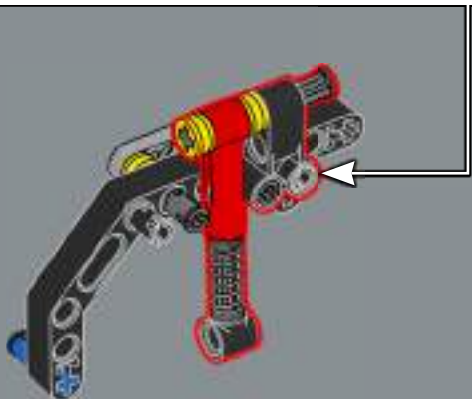
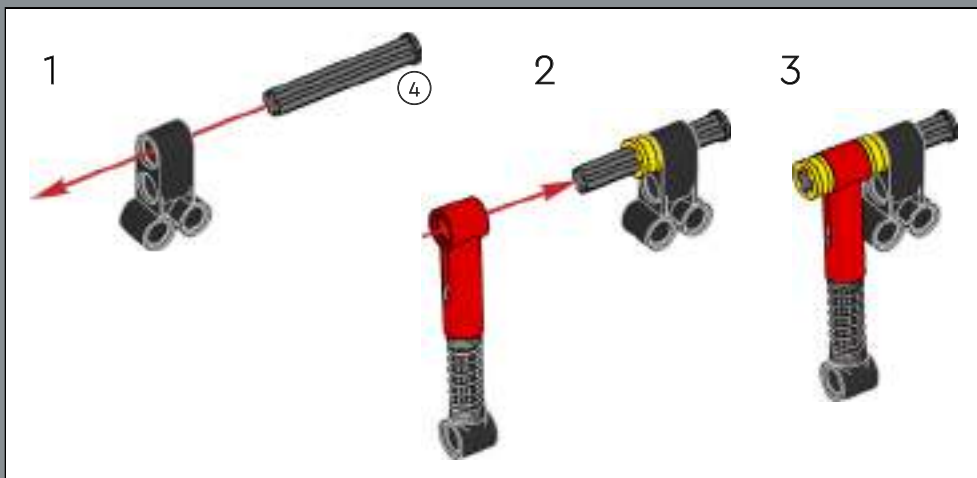
42

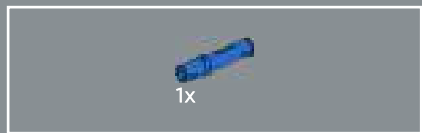




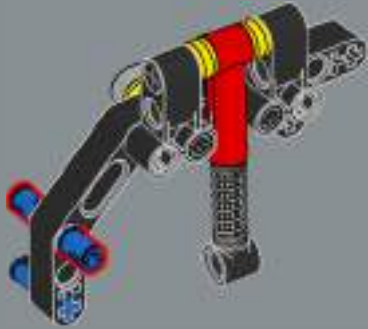
43

44

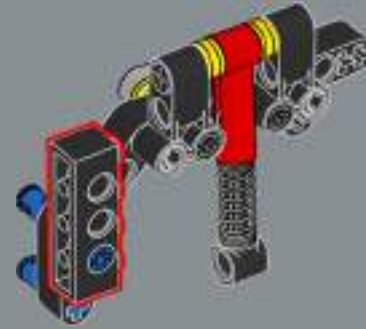




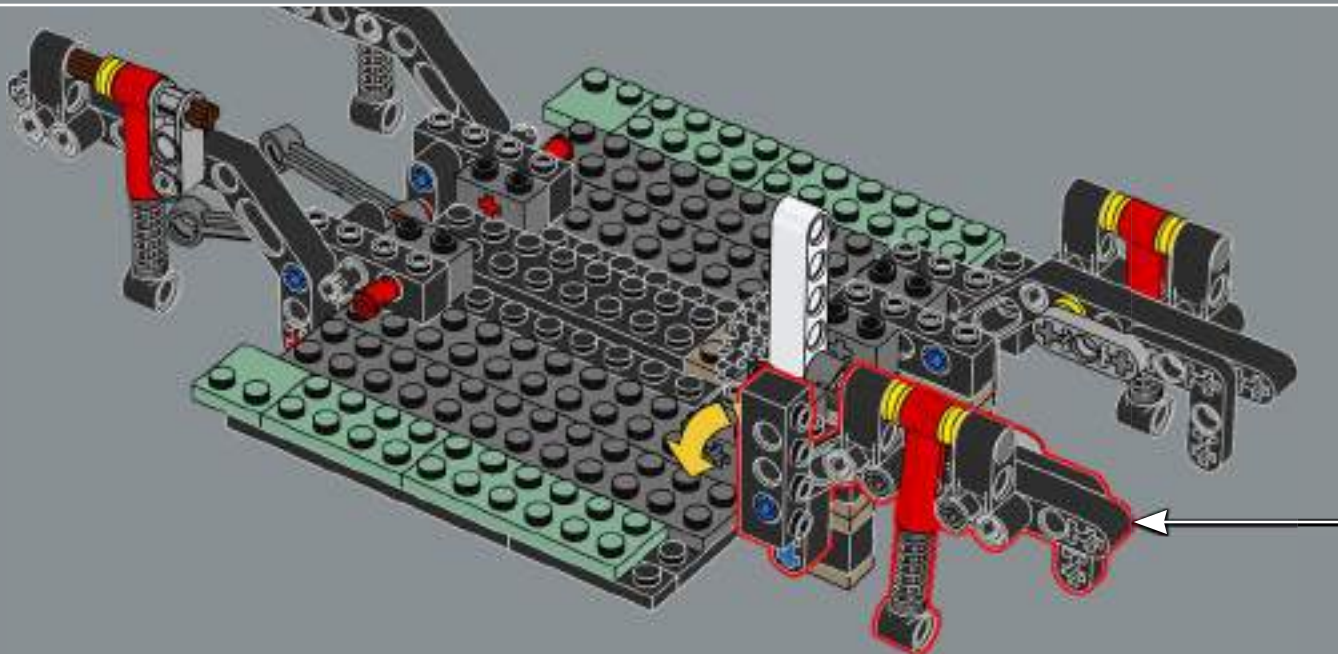
45

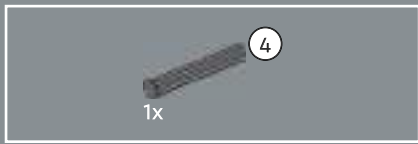


46

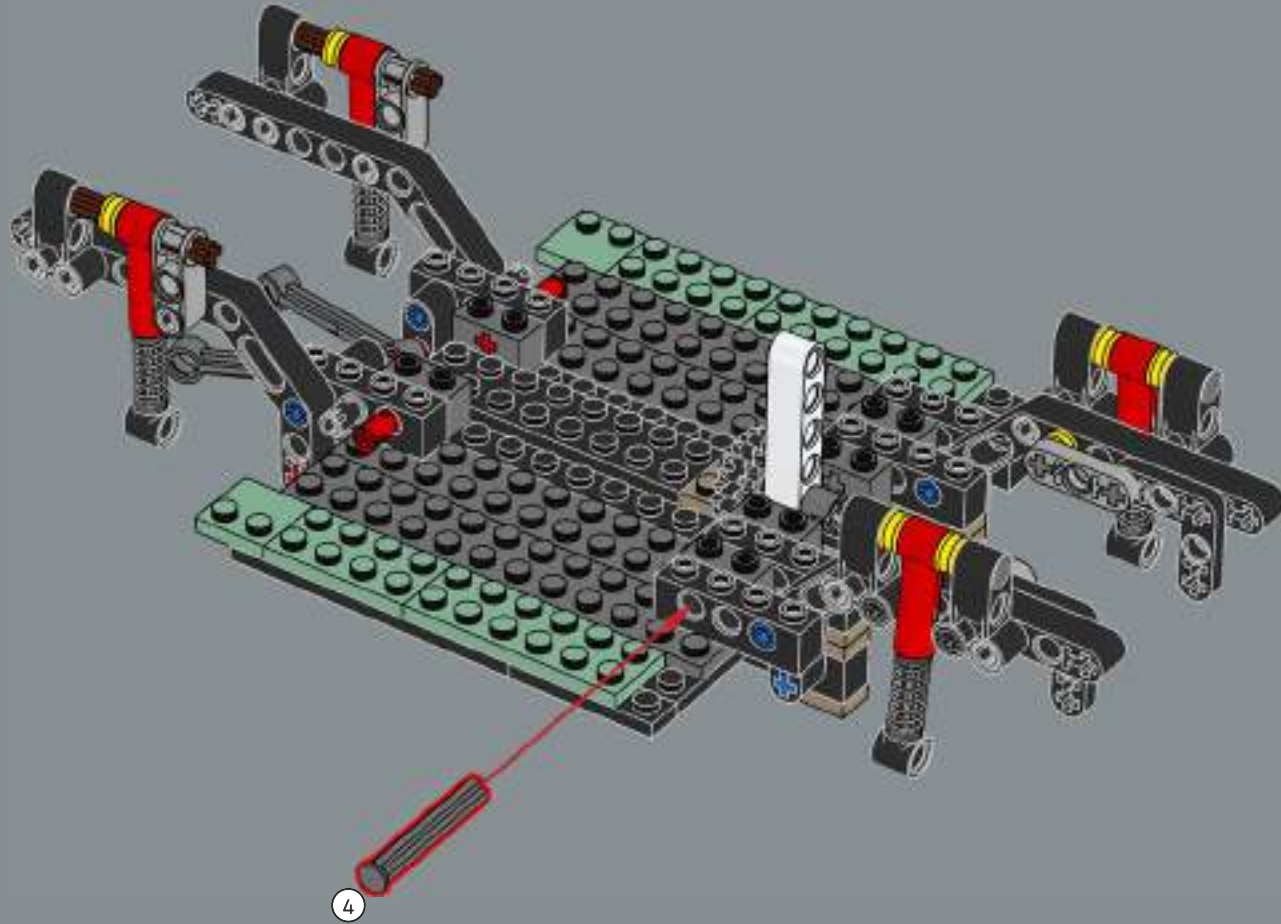


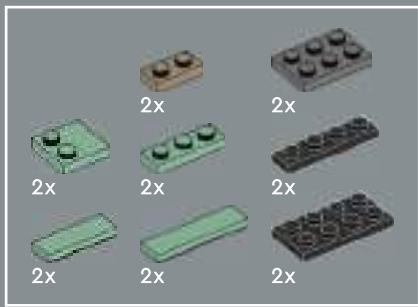
47



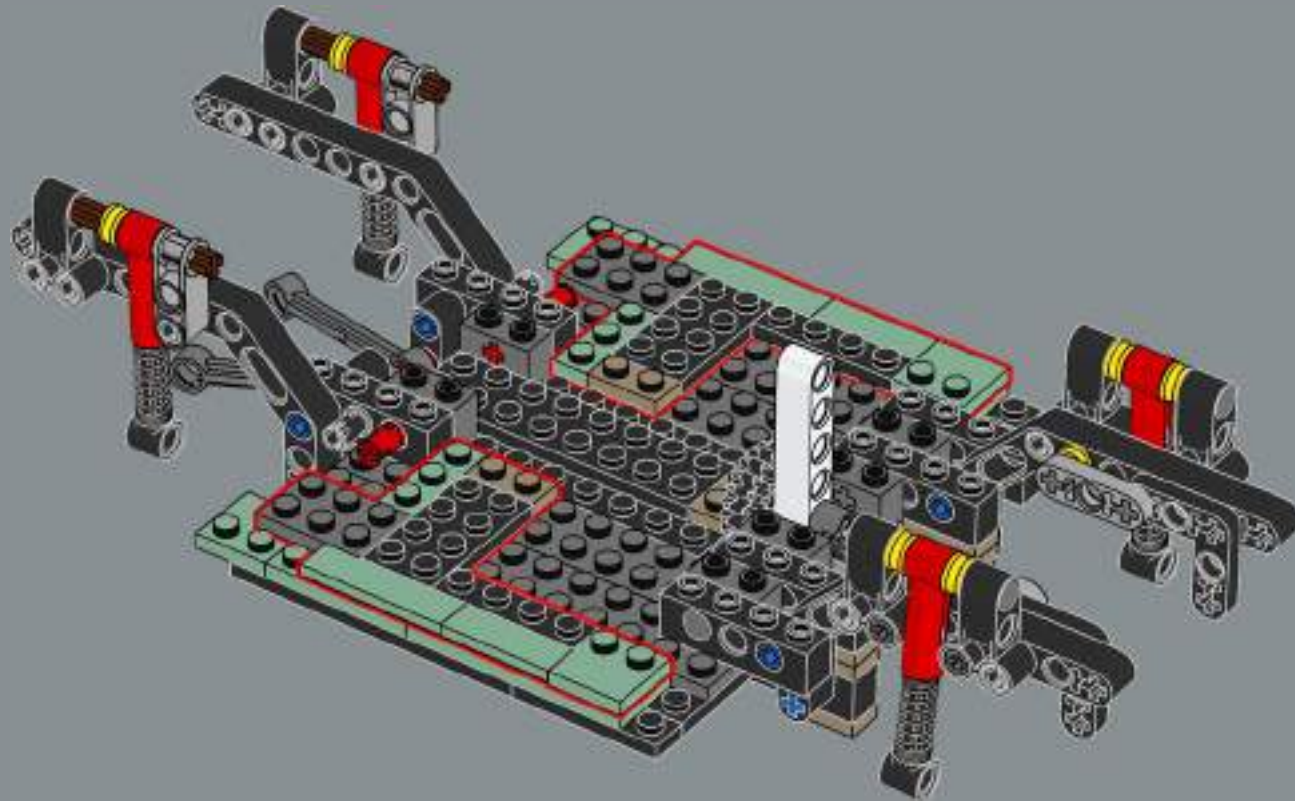


48



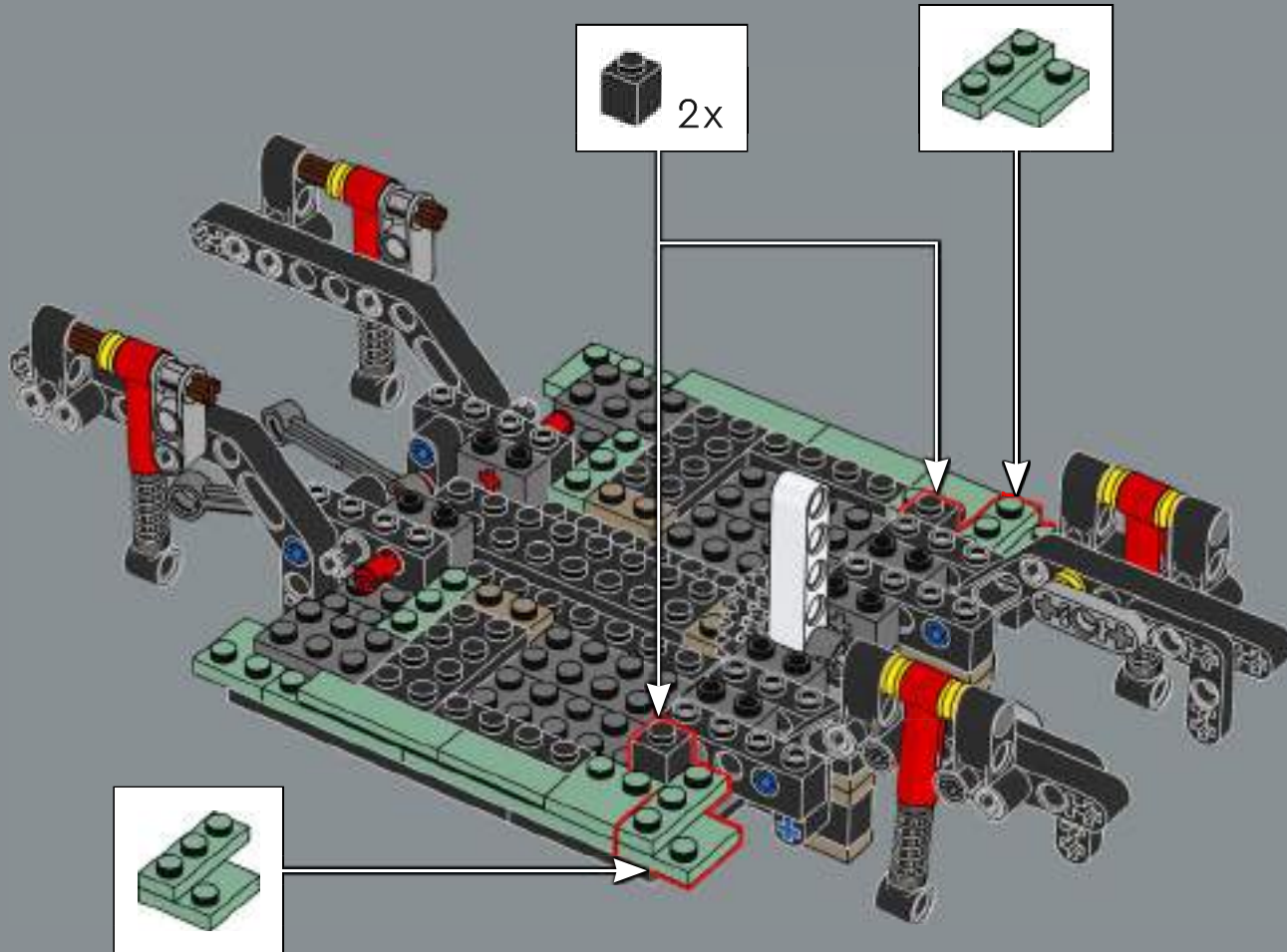


49



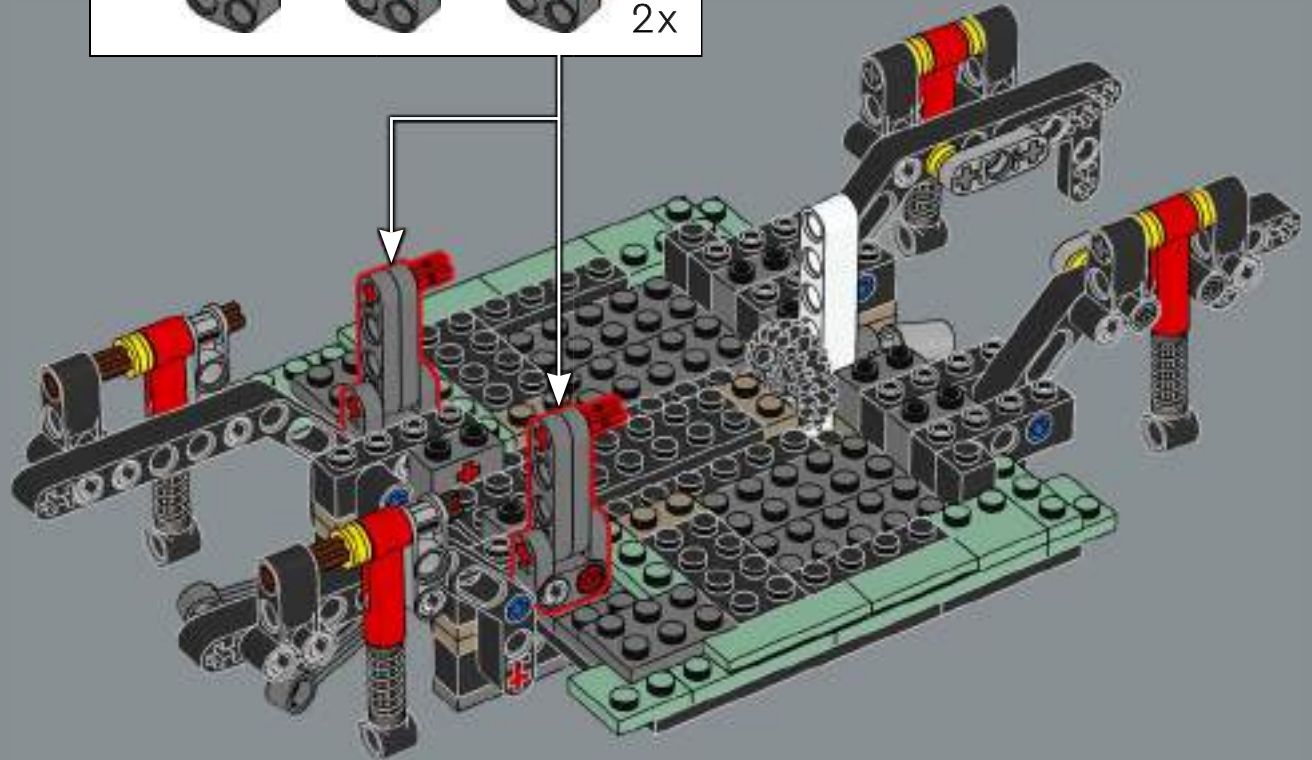
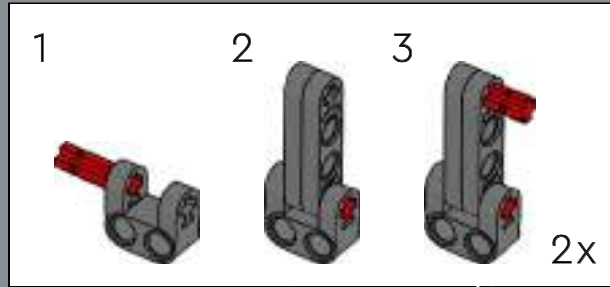


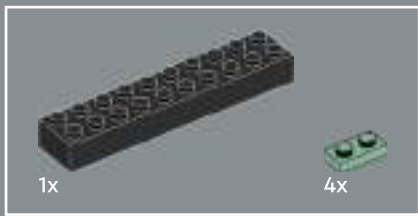
50



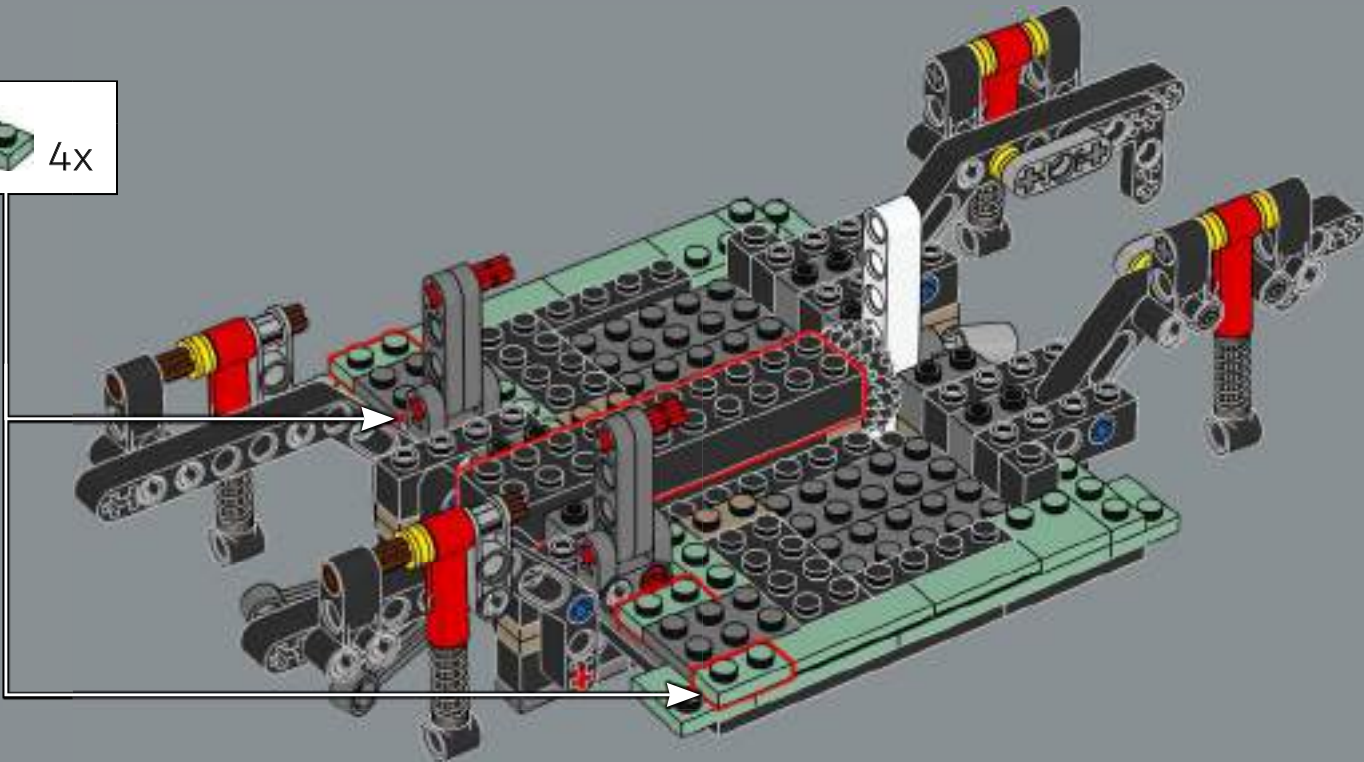


51



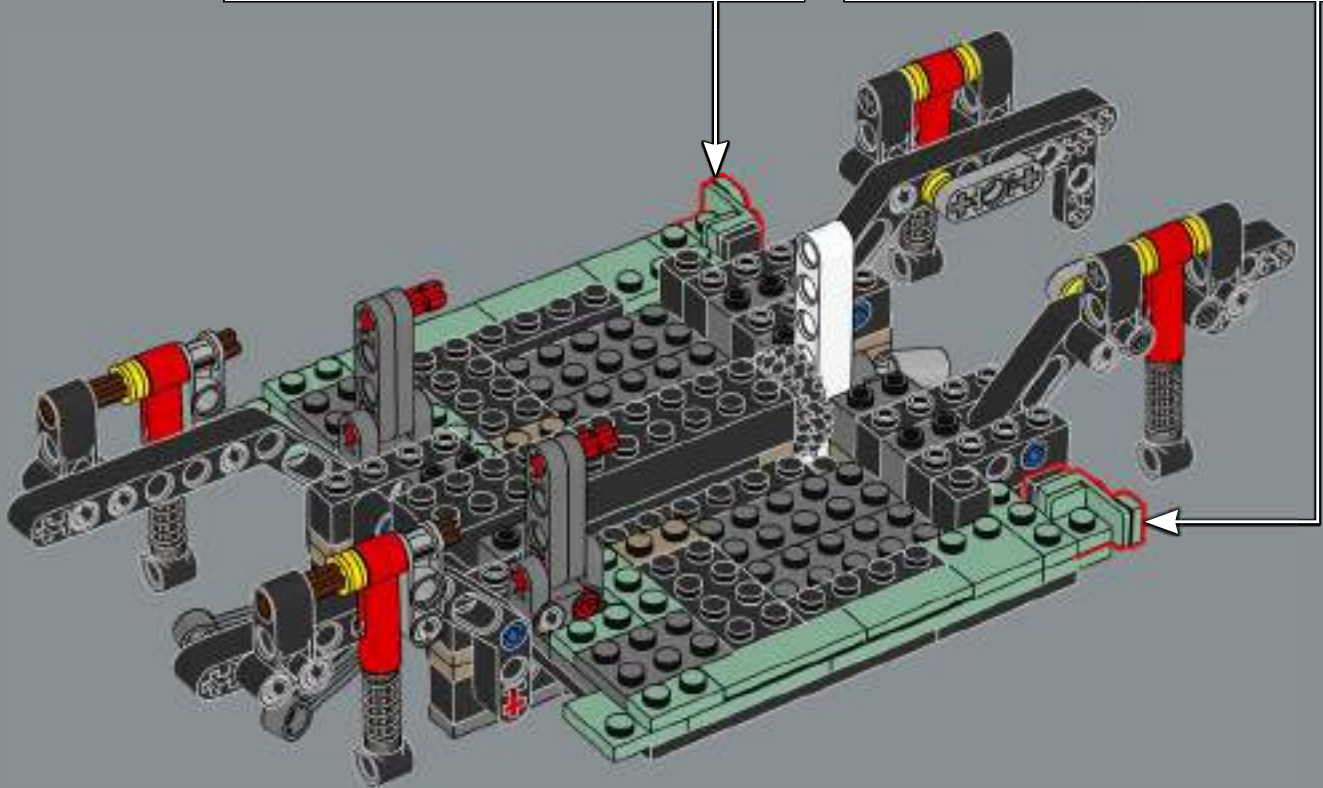


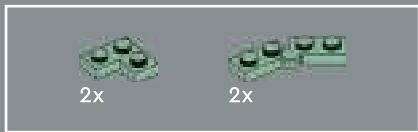
52



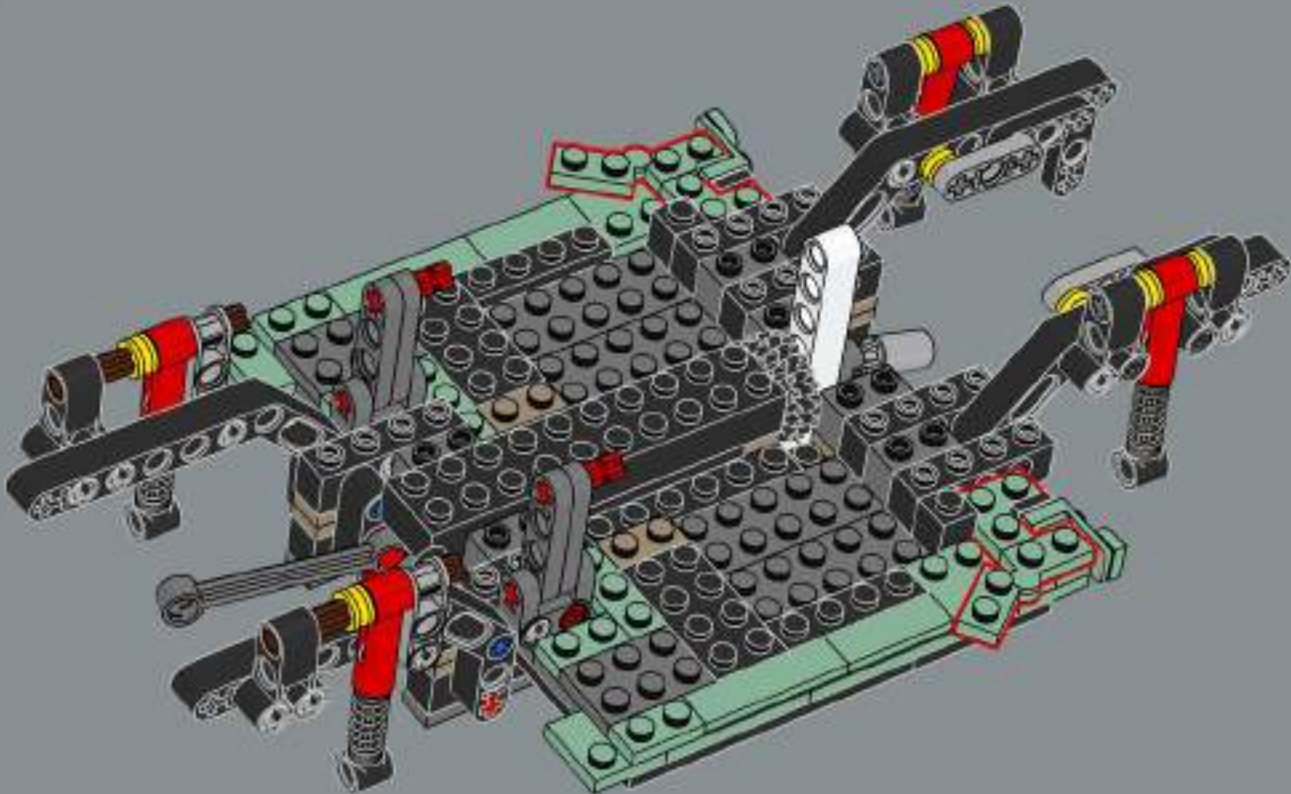


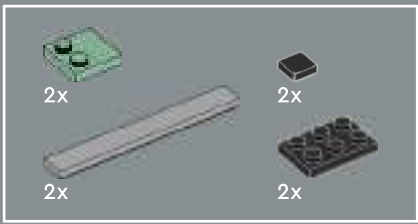
53



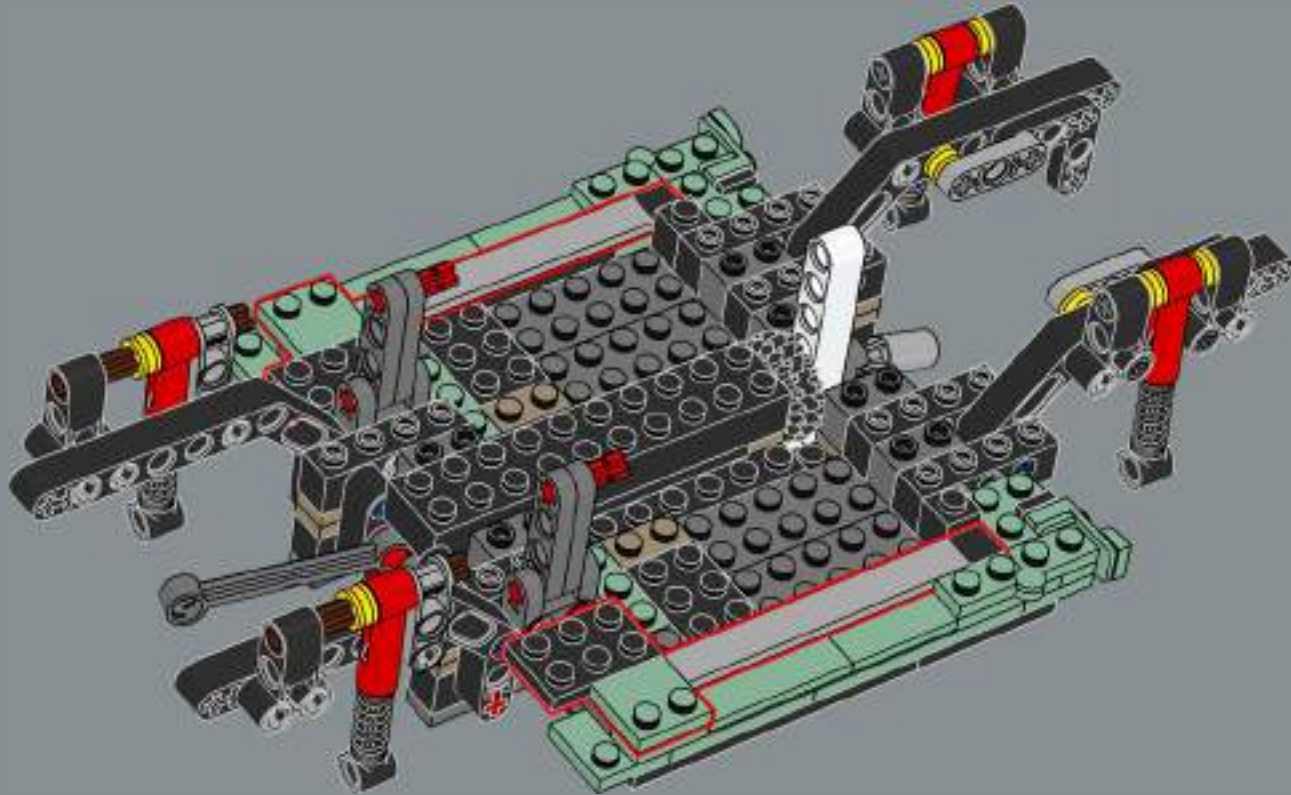


54



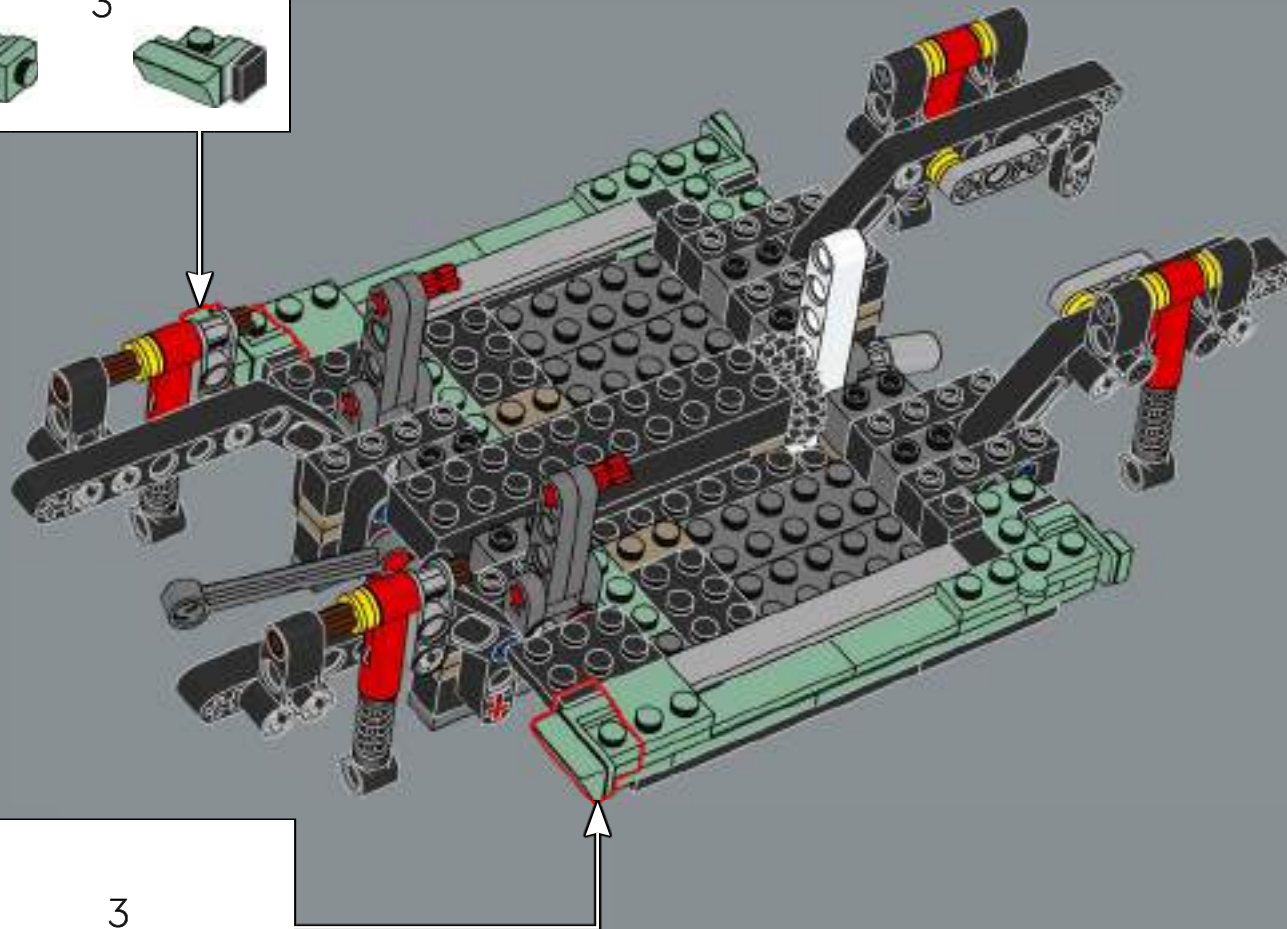


55



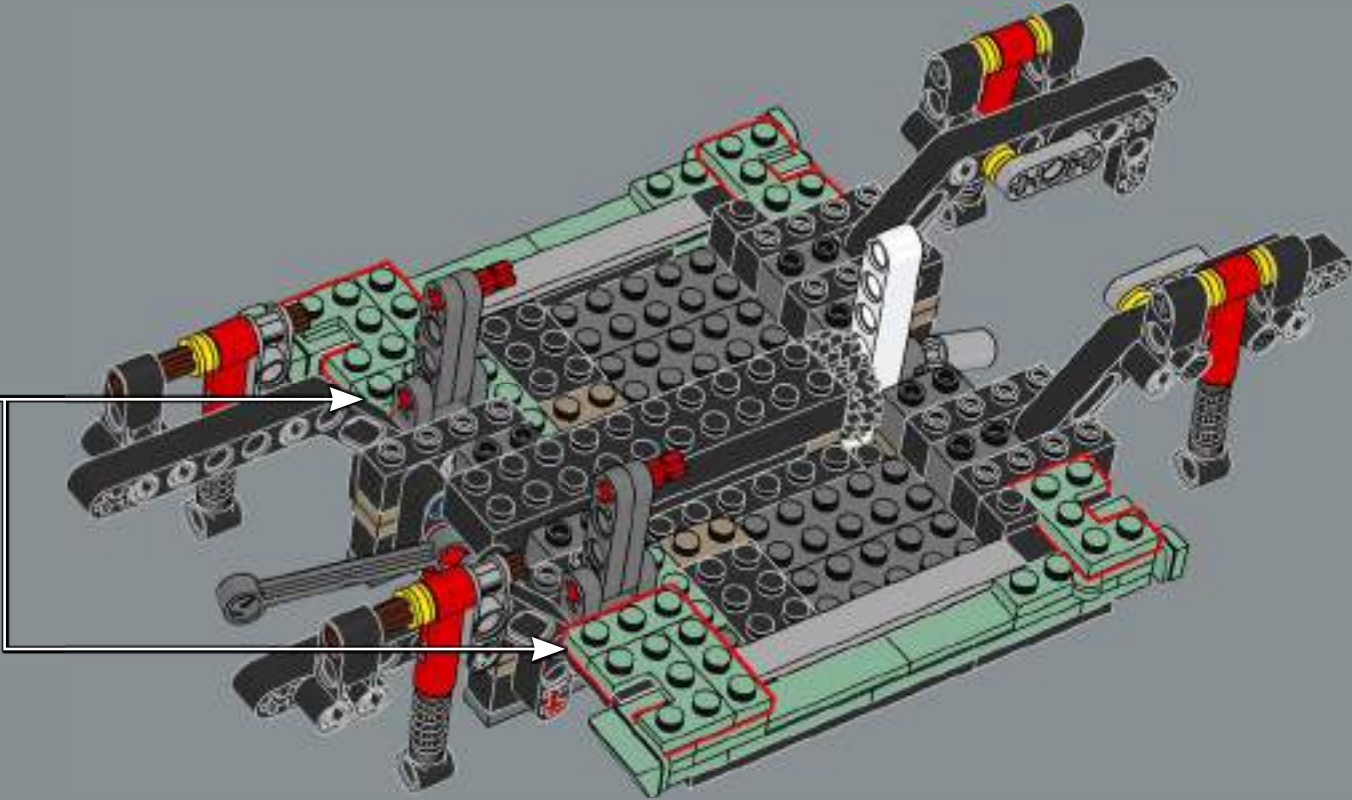
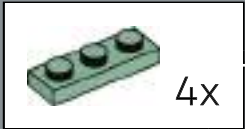


56



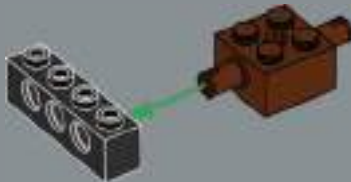


57

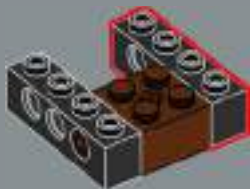




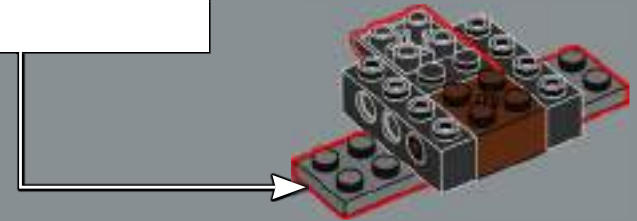
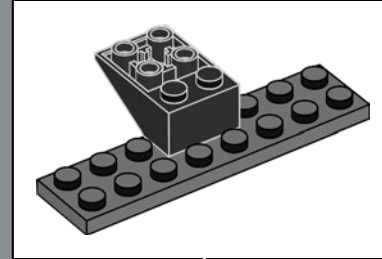
58



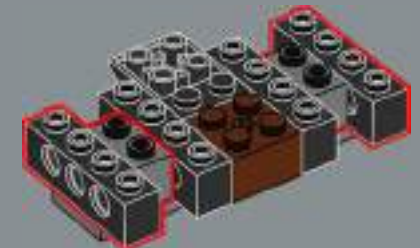
59



60



61





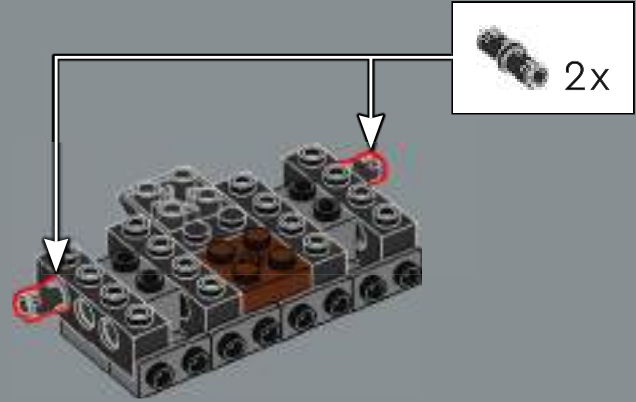
4x

62

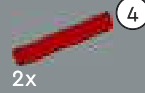


2x

63

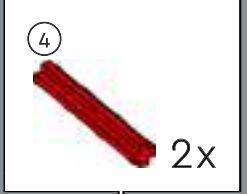


2x

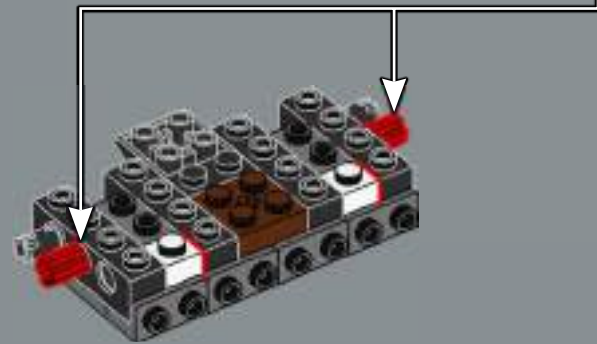


2x

64



2x

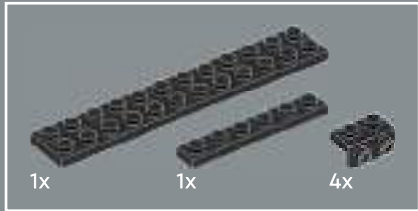
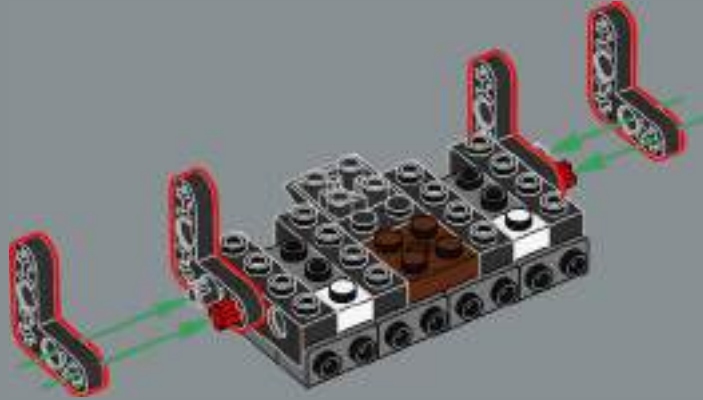


4

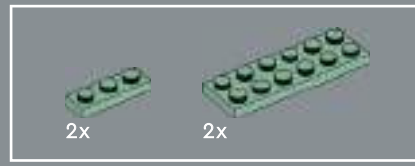
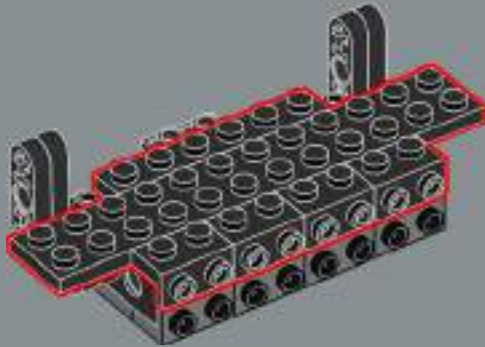
1:1



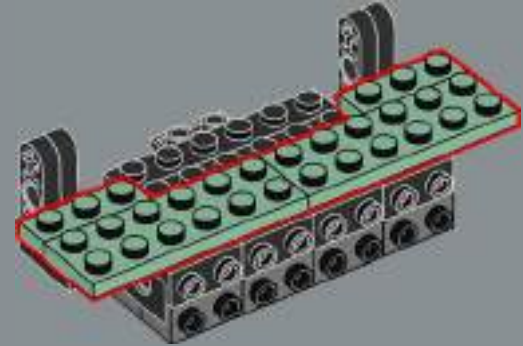
65

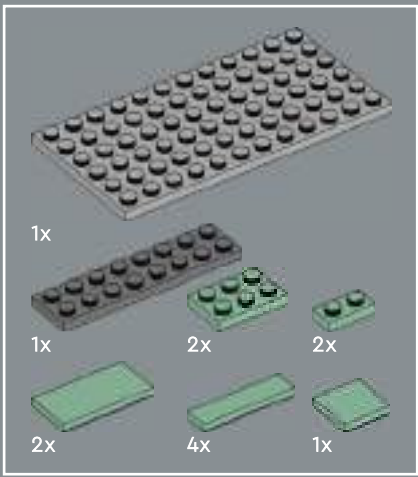


66

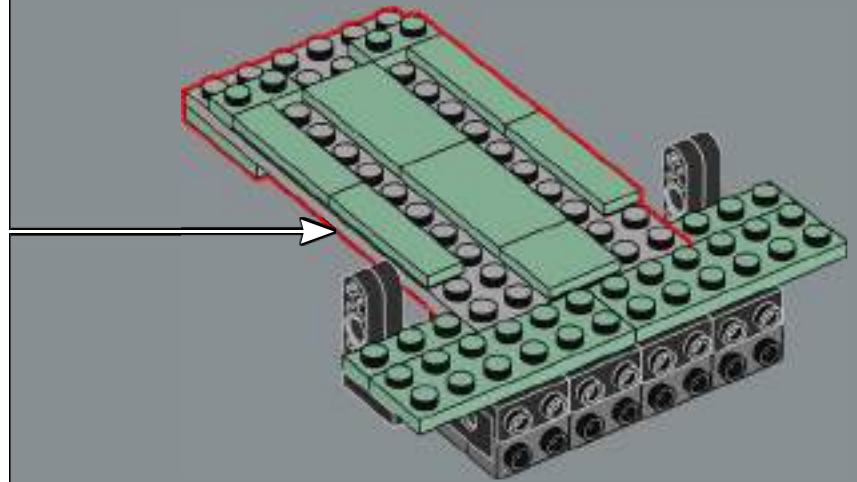
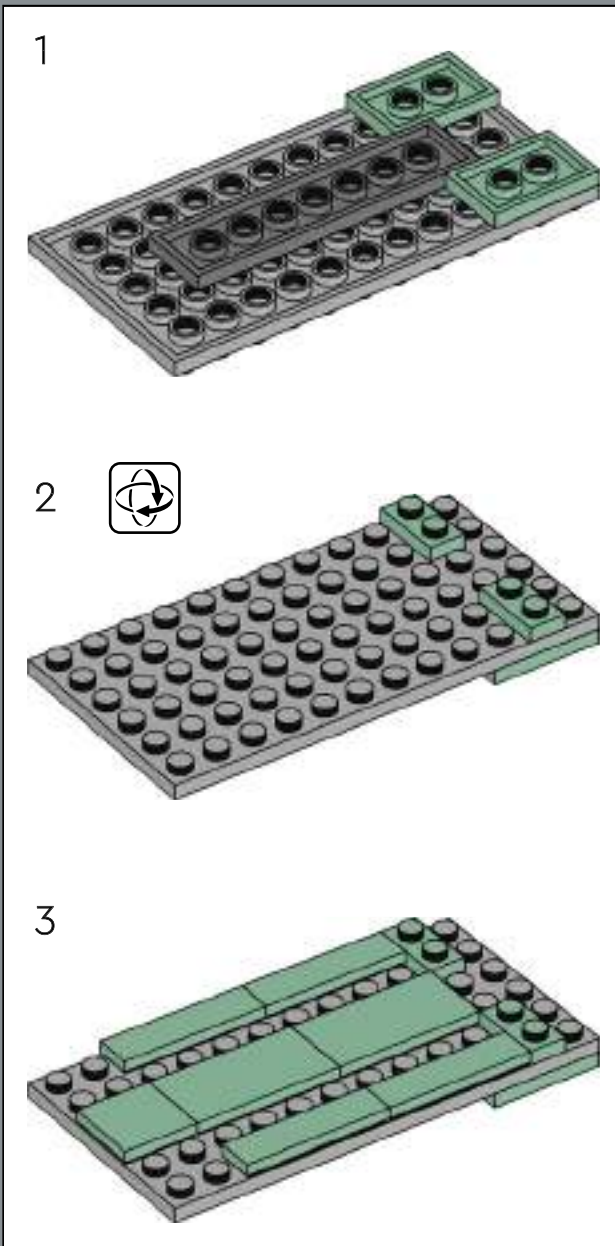


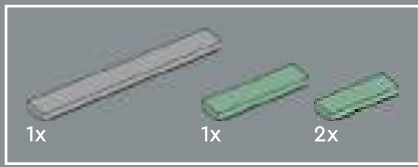
67



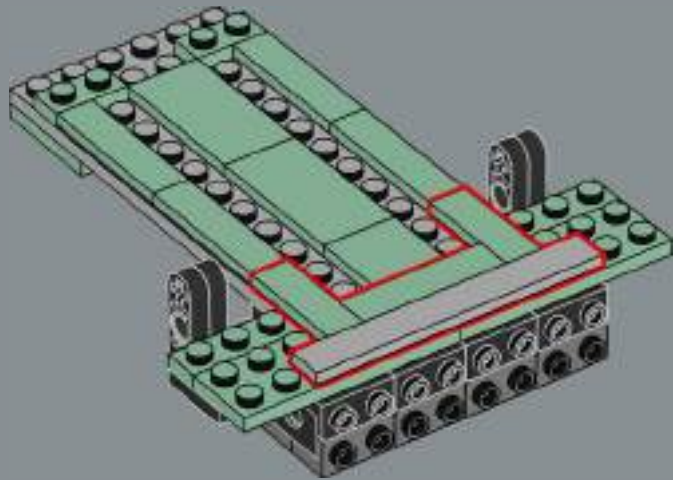


68

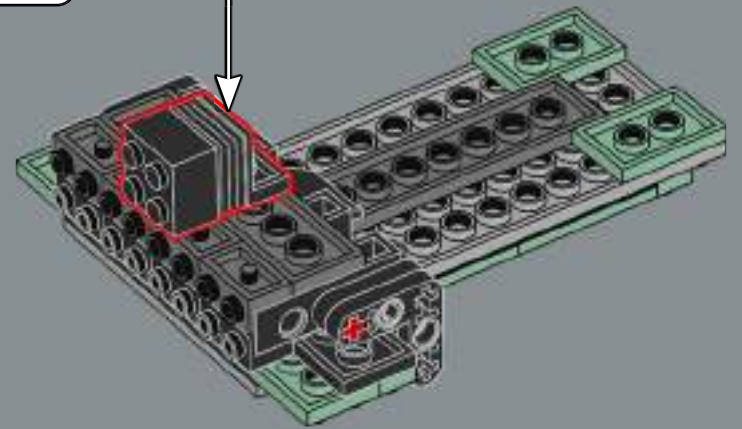
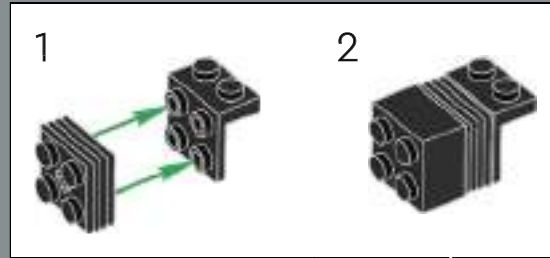




69

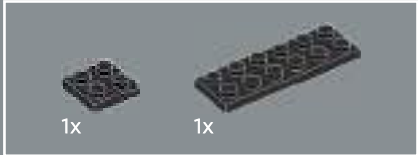
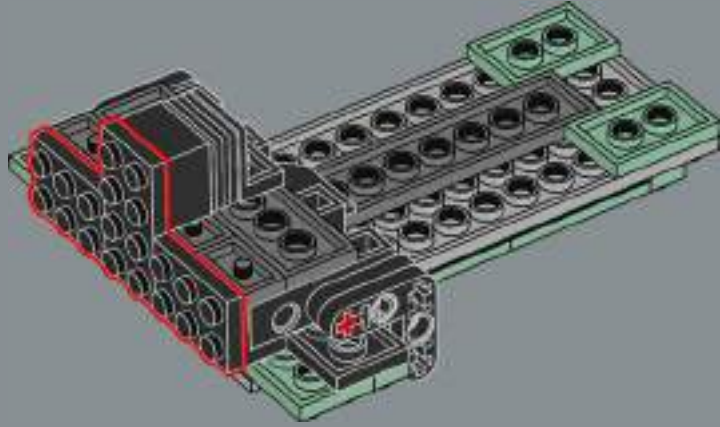


70

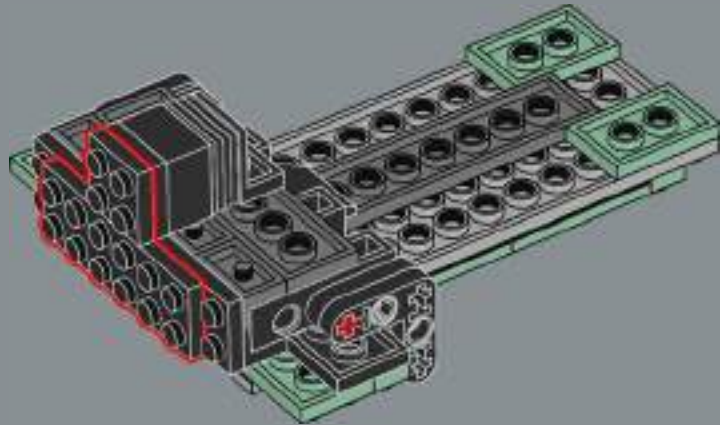




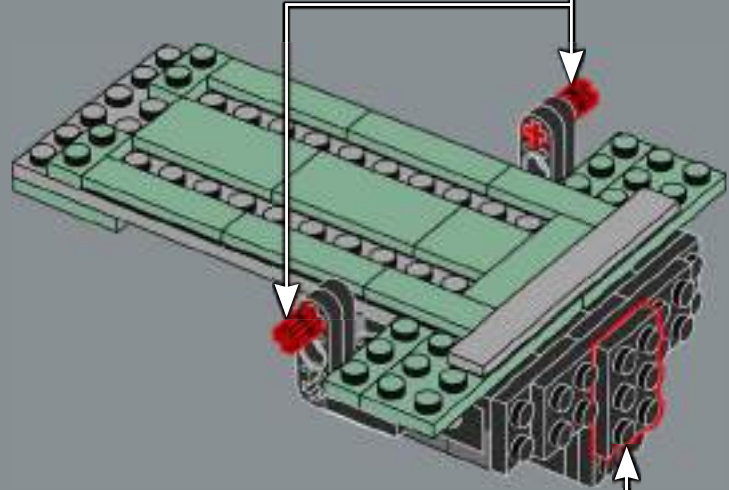
71

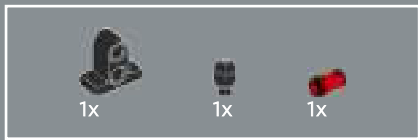


72

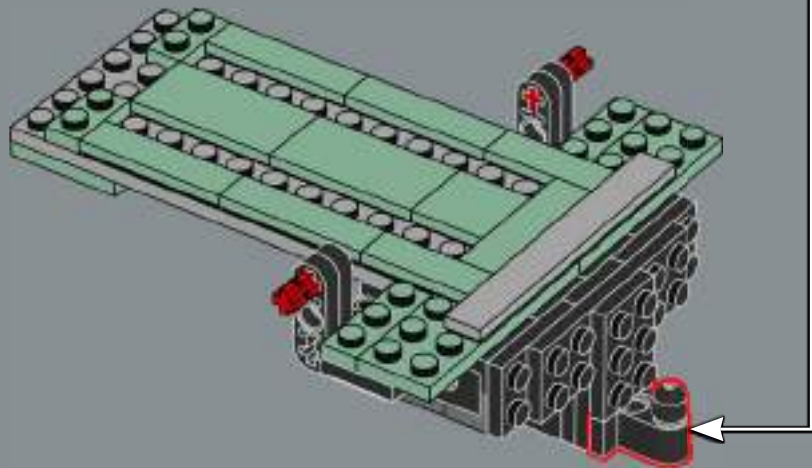


73

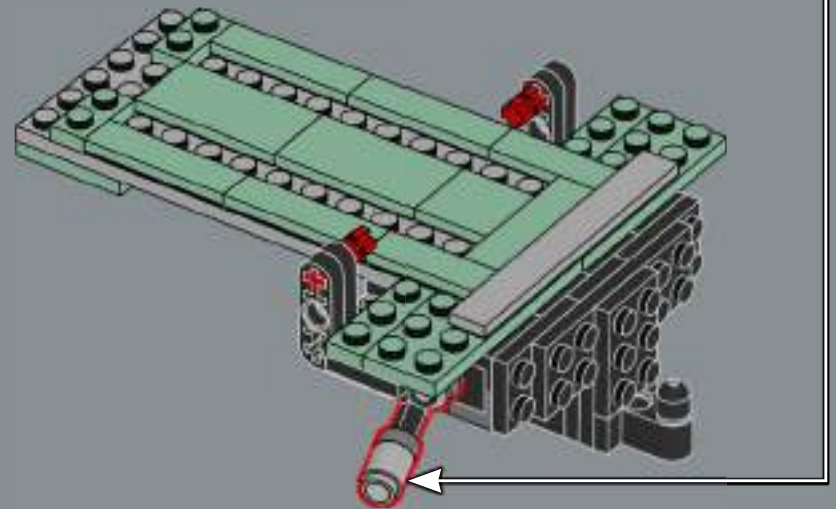
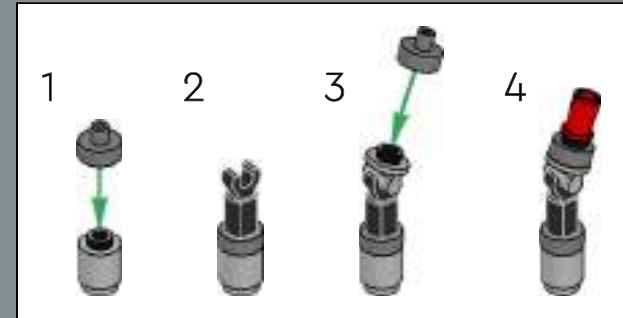




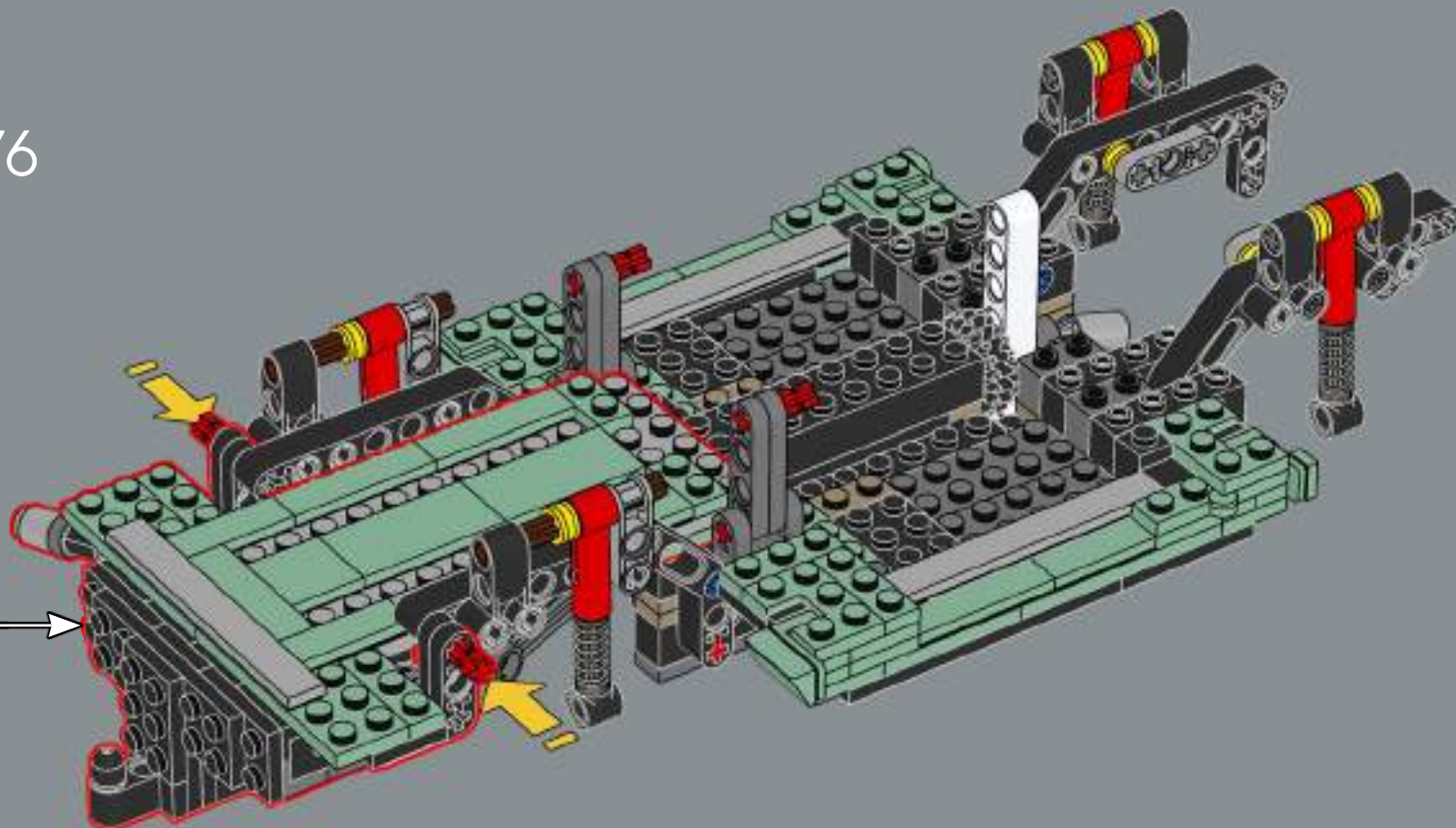
74

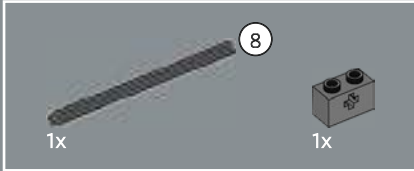
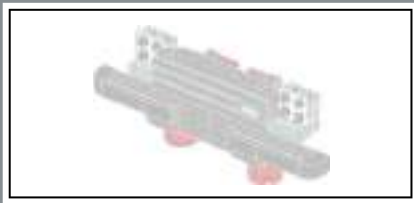


75

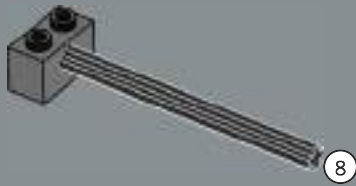


76

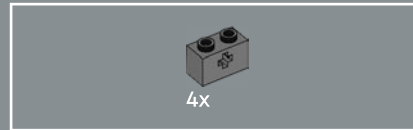
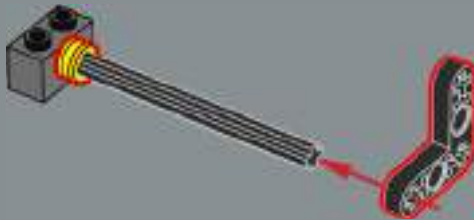




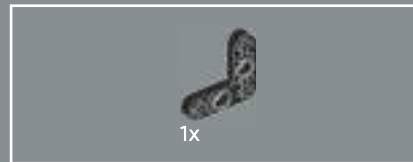
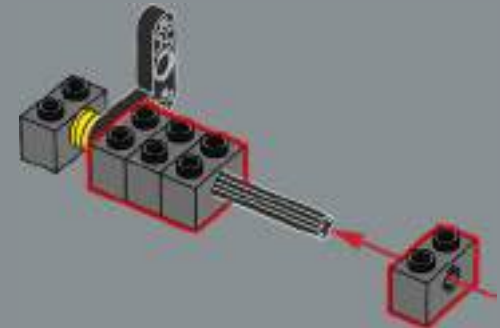
77



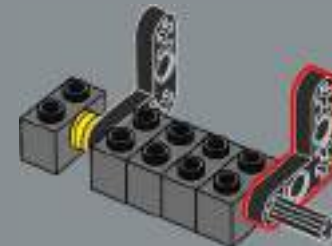
78



79

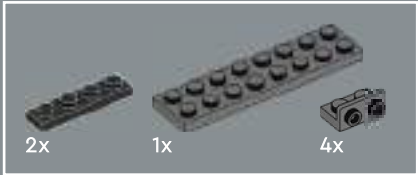
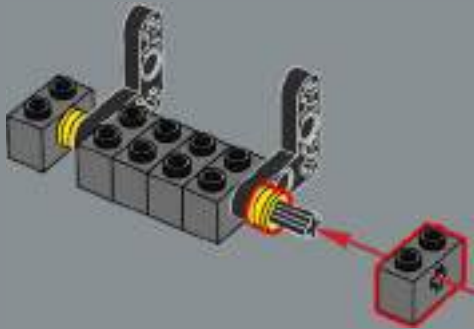


80

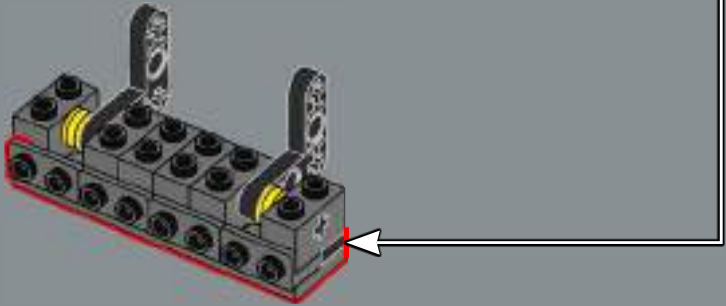
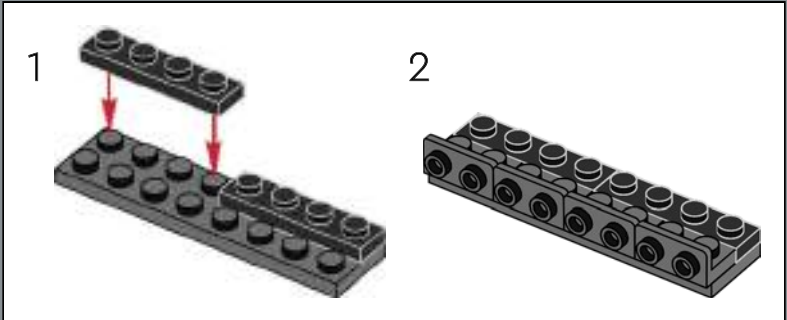




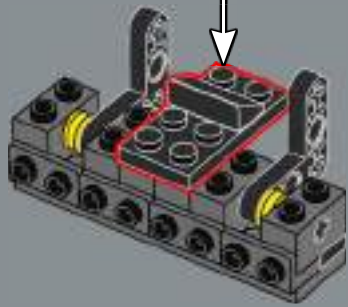
81



82



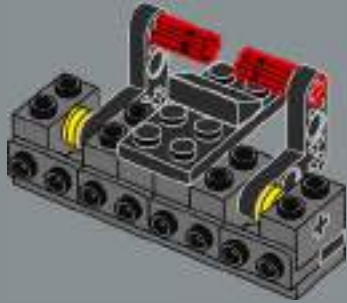
83





2x

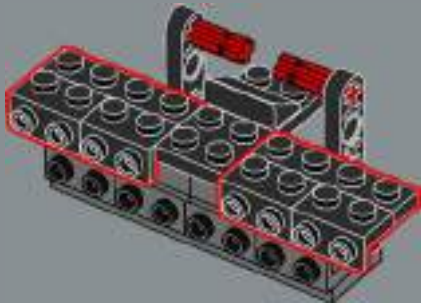
84



2x

4x

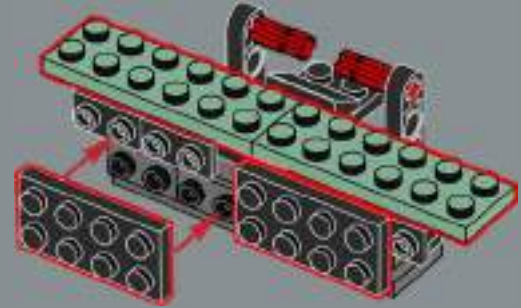
85



2x

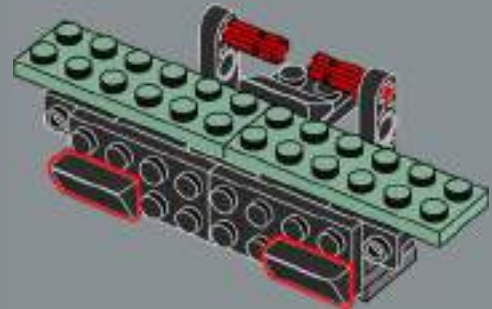
2x

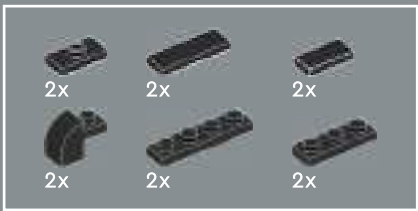
86



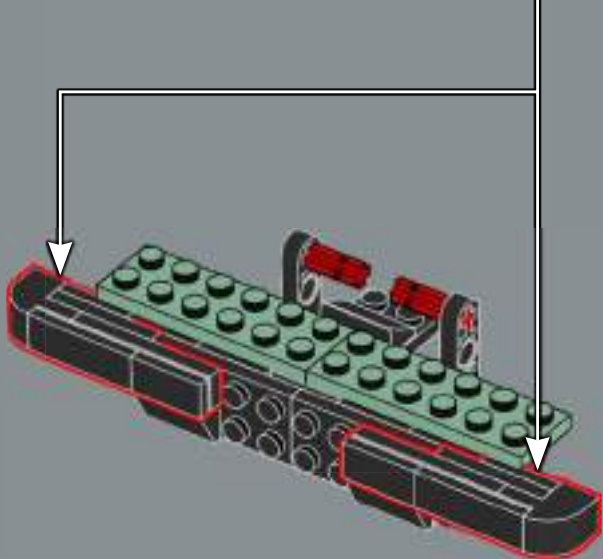
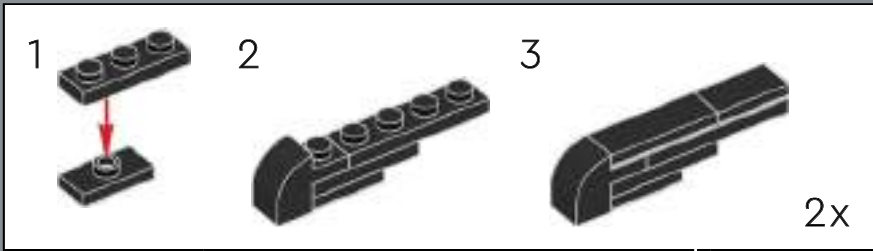
2x

87

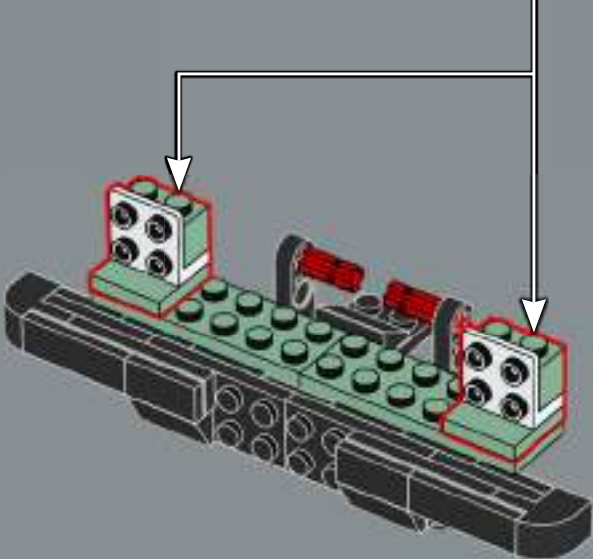
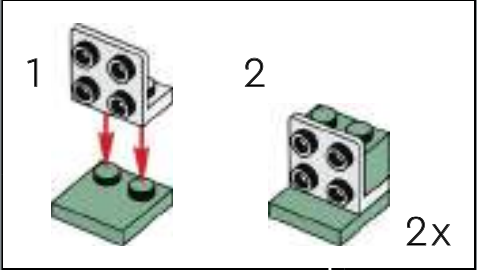


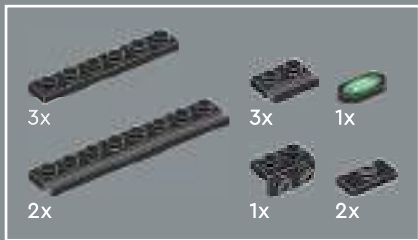


88

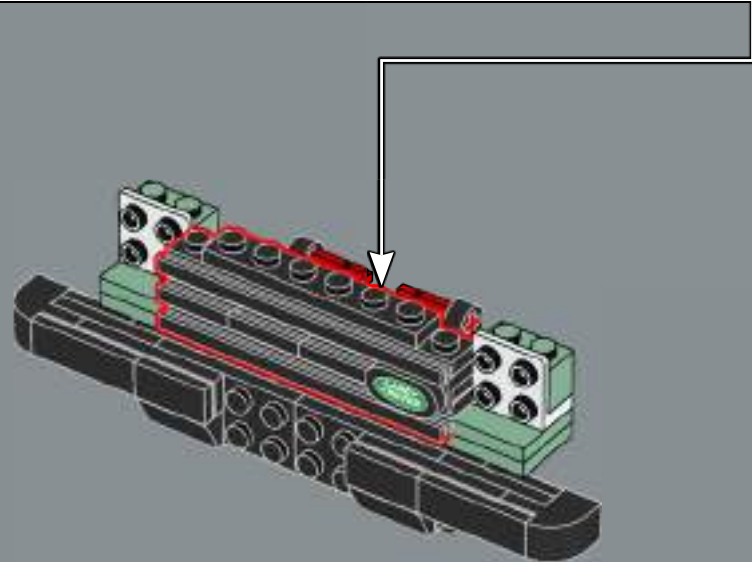
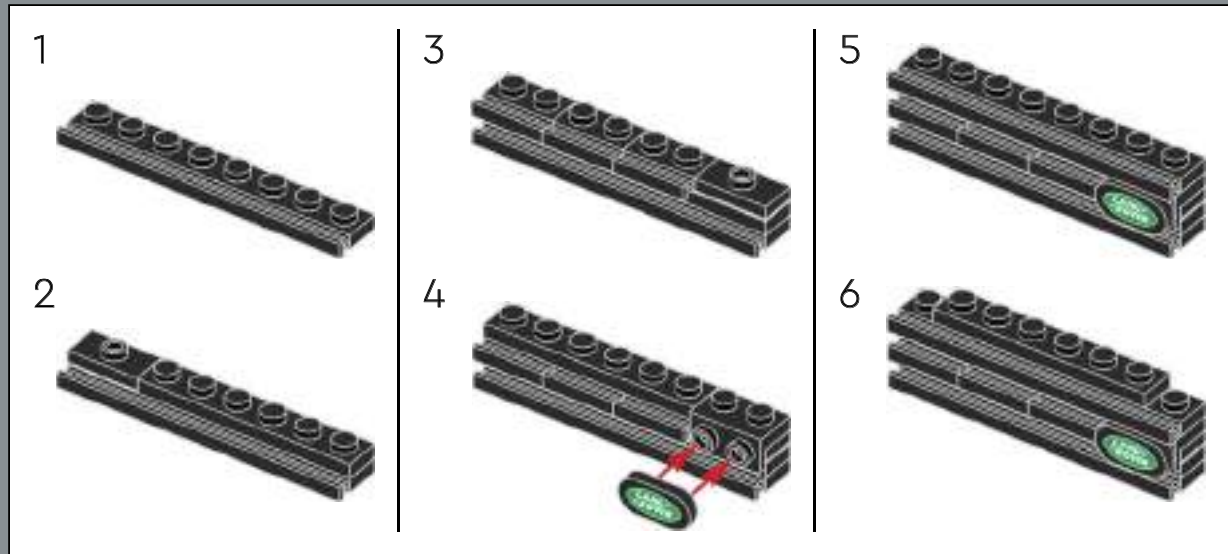


89



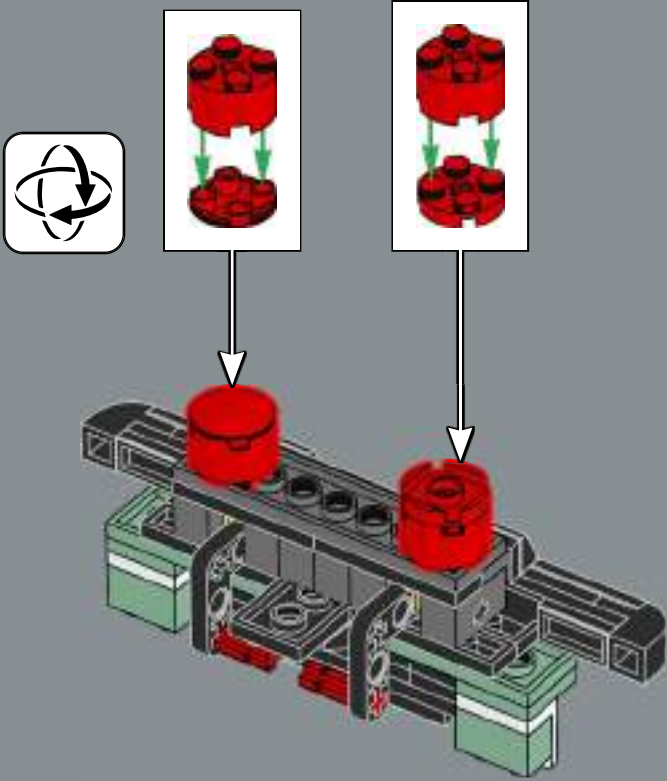


90

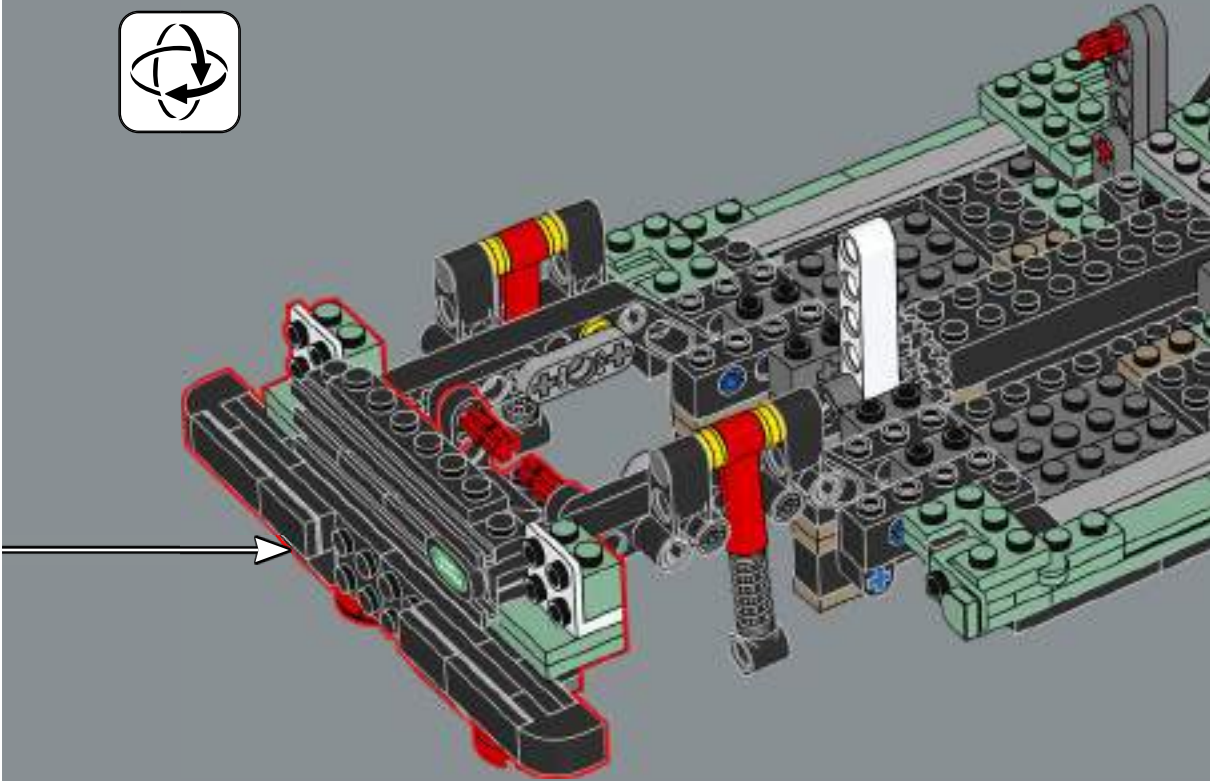


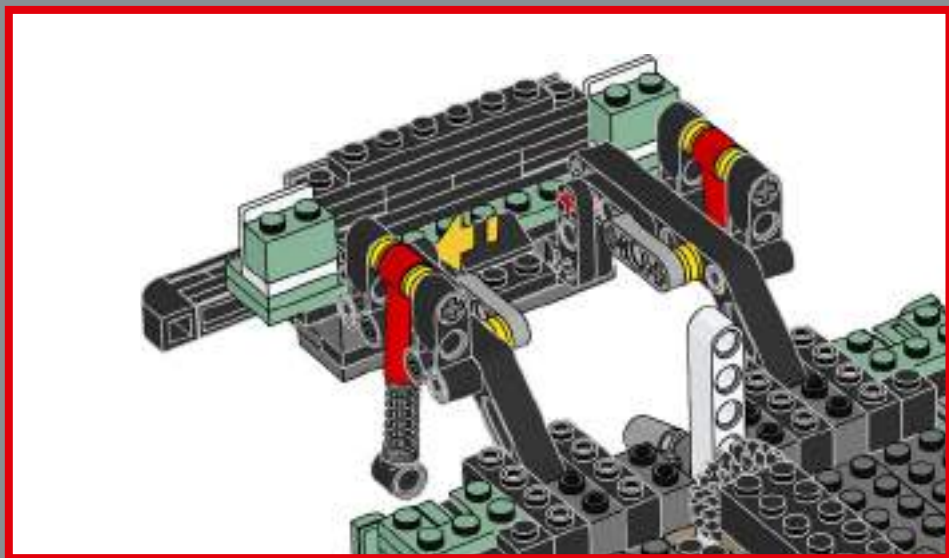
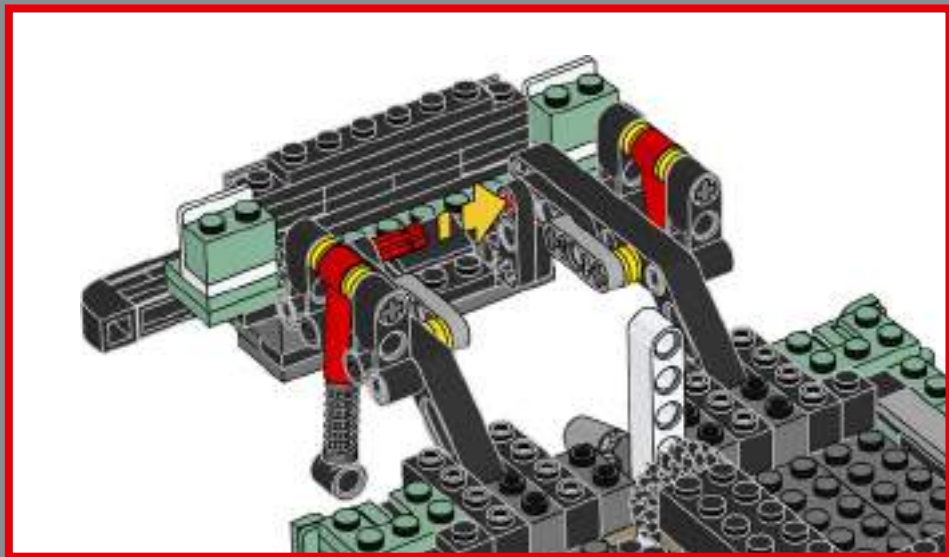


91



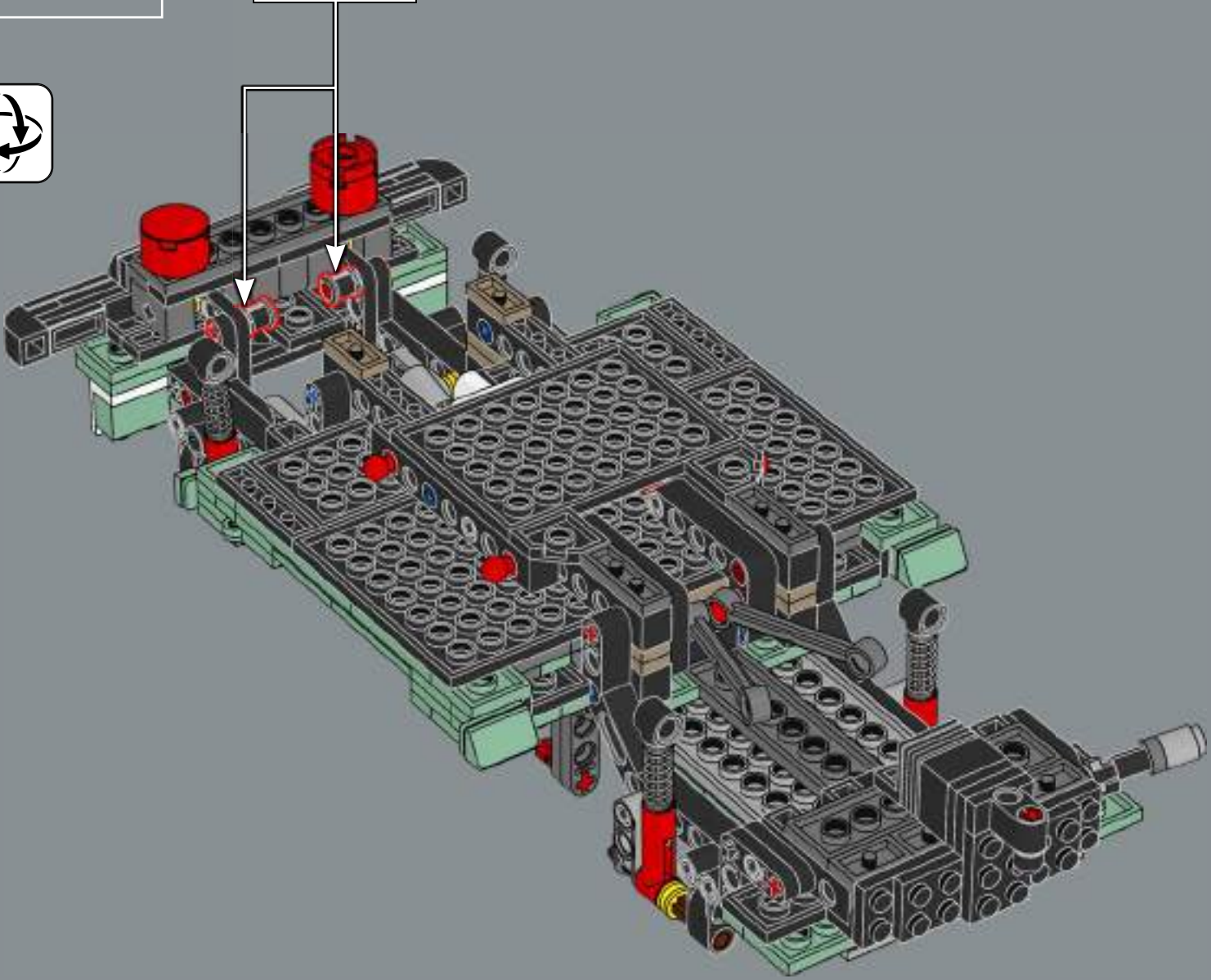
92

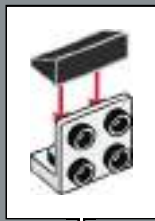




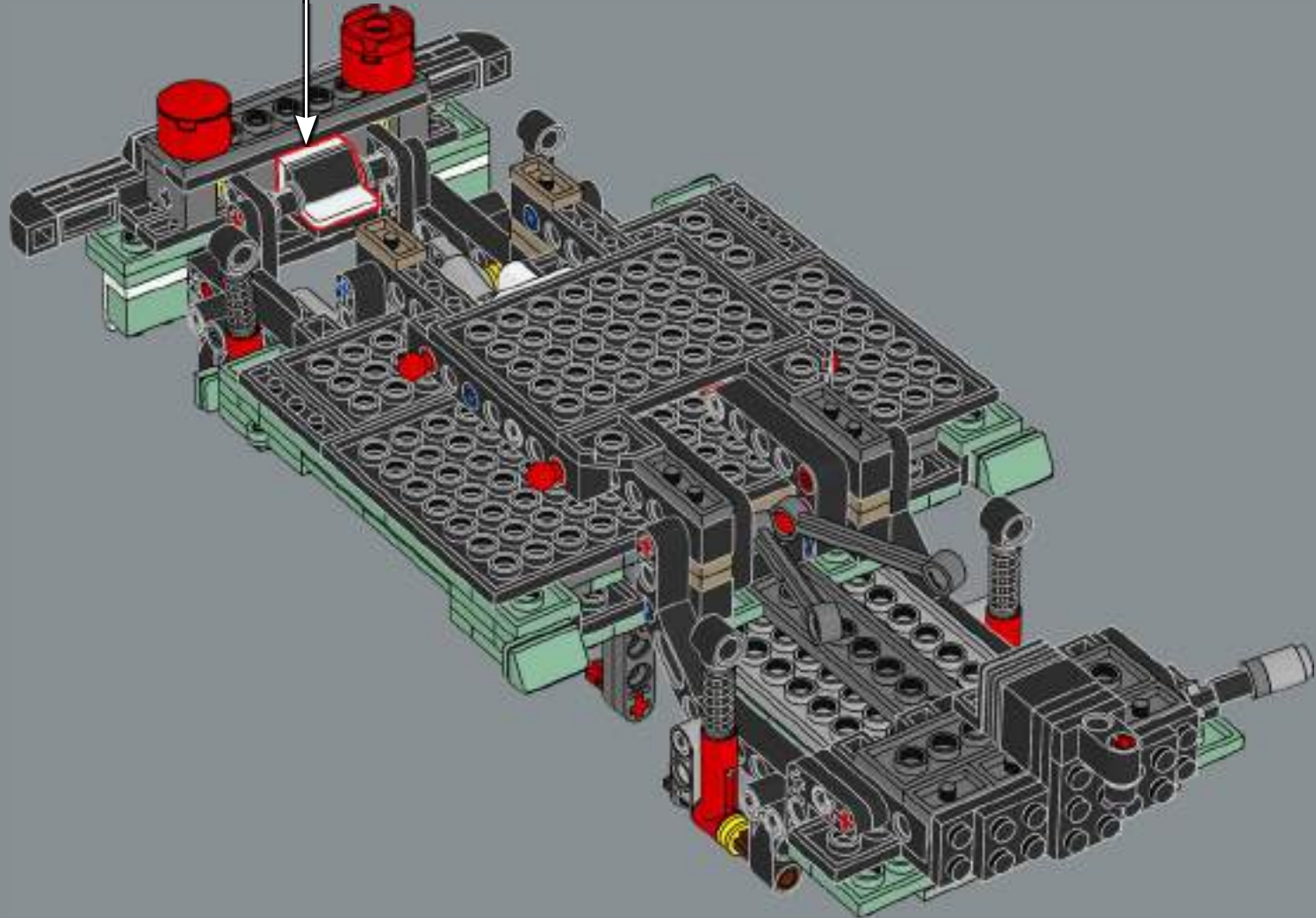


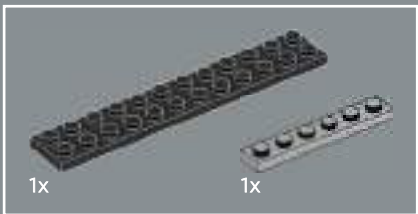
93



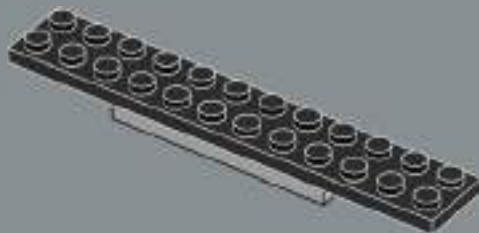


94

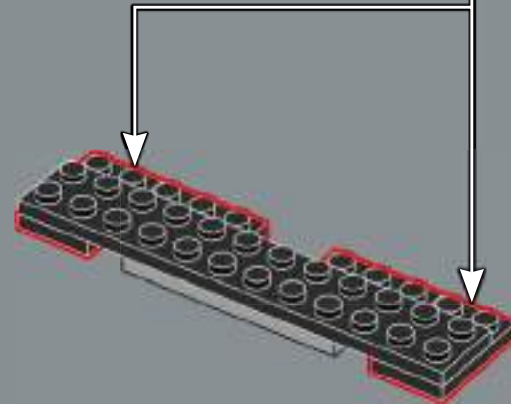




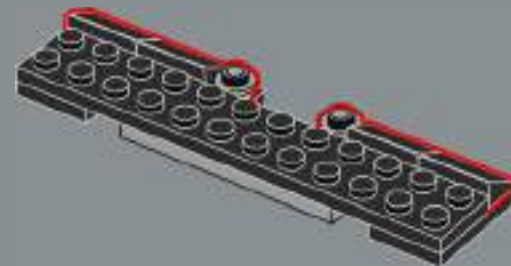
95



96

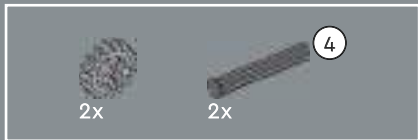
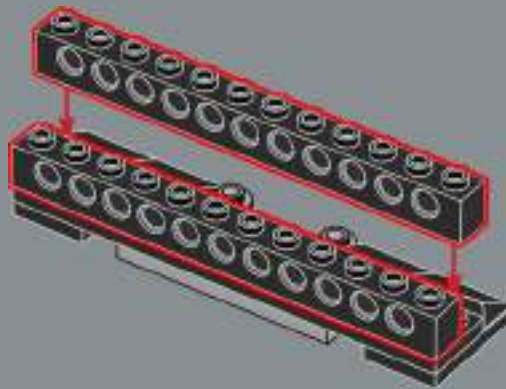


97

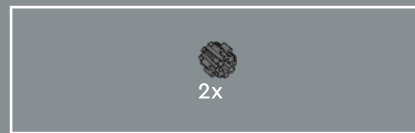
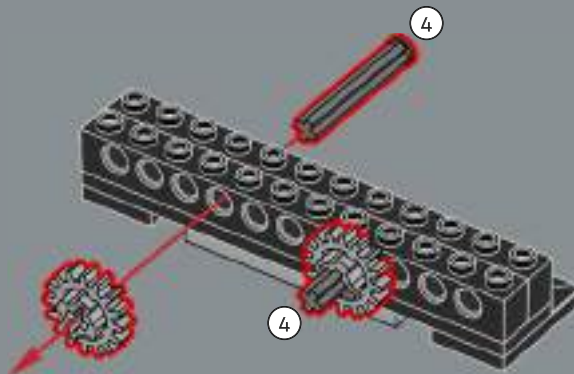




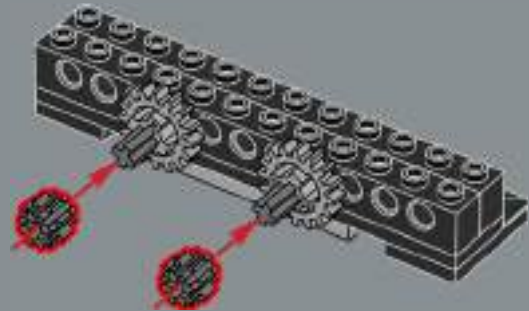
98



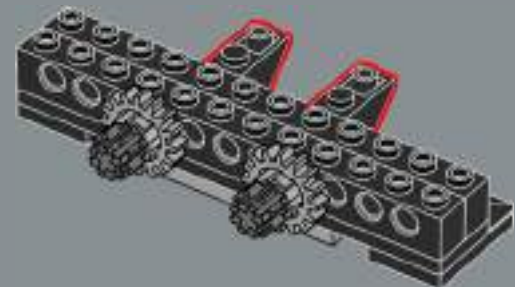
99



100



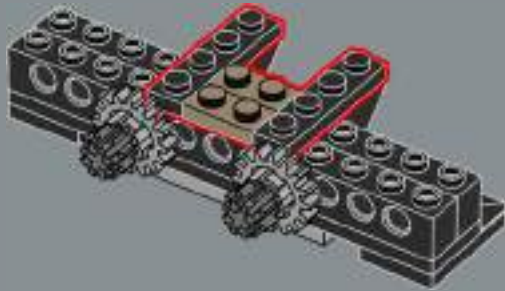
101



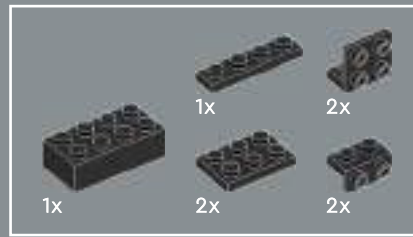
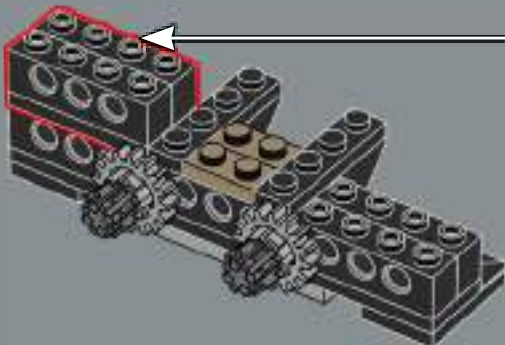
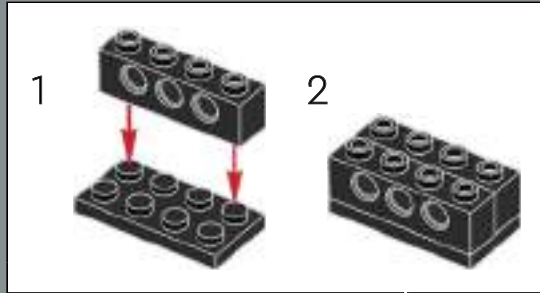


You can place the steering wheel on both sides of the cabin to suit your driving needs for left- or right-hand traffic.

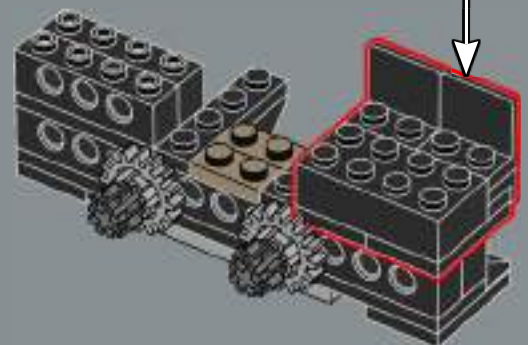
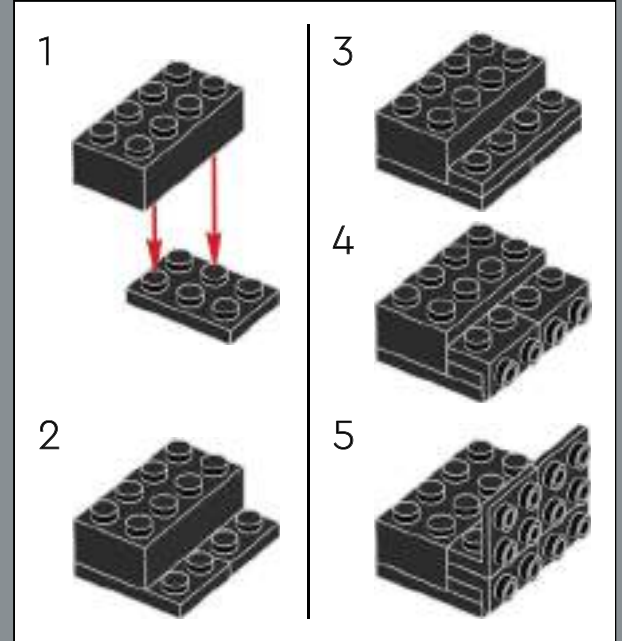
102



103

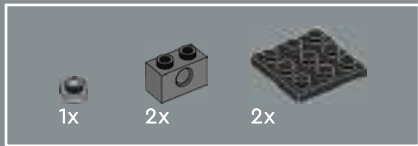
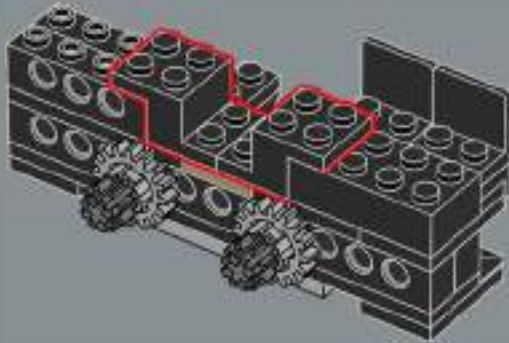


104

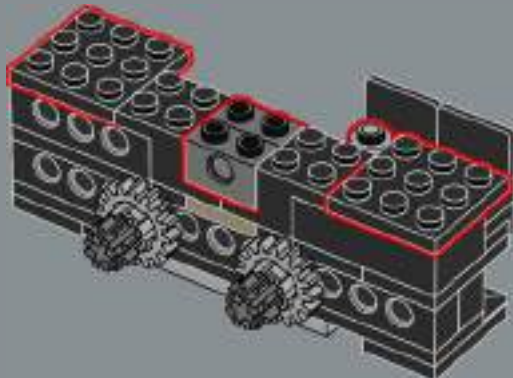




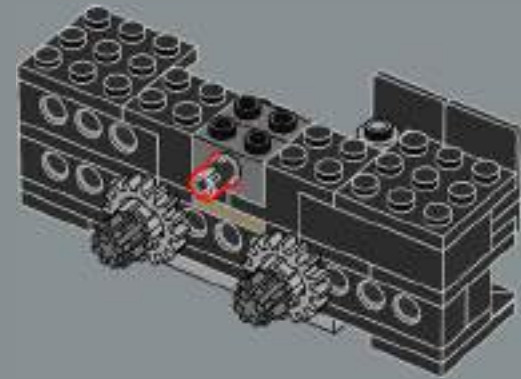
105

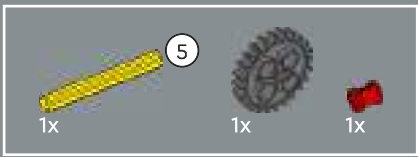


106

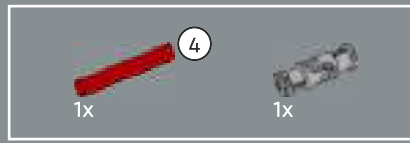
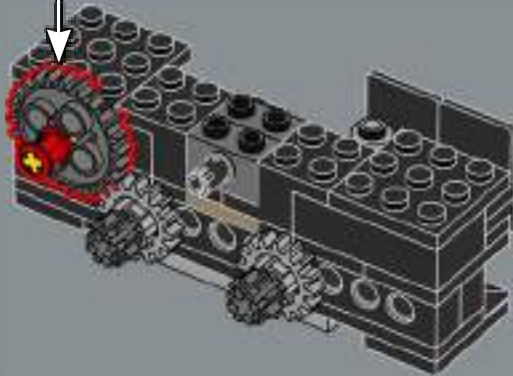
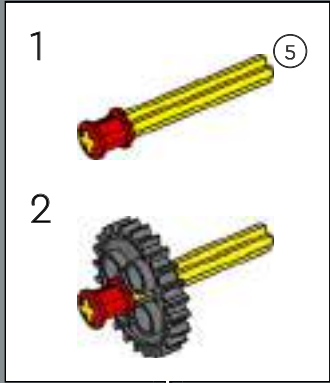


107

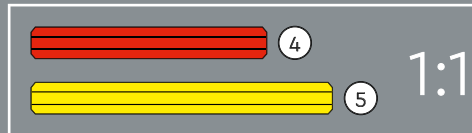
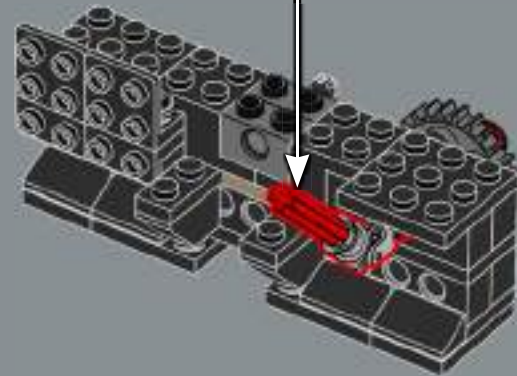
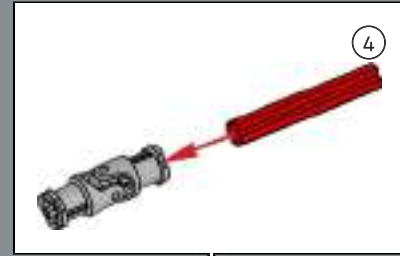


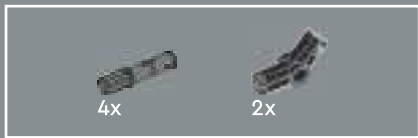


108

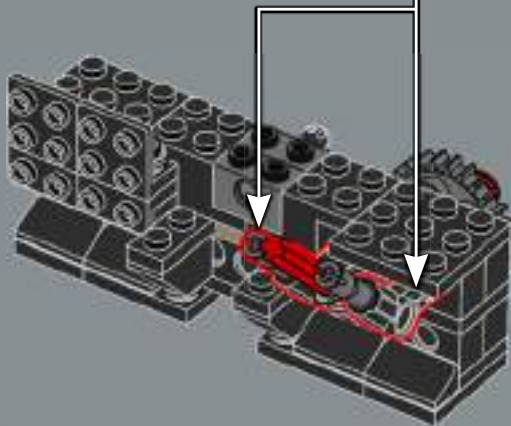
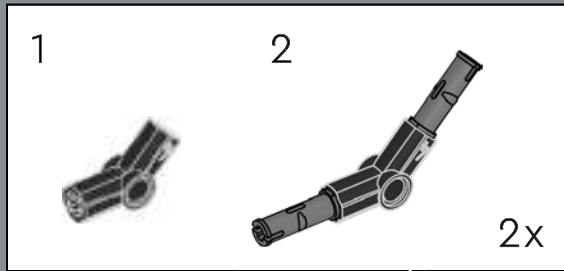


109

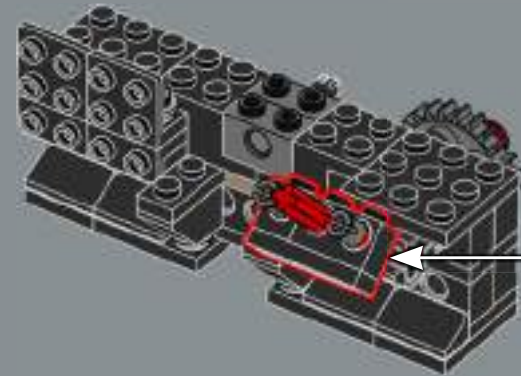
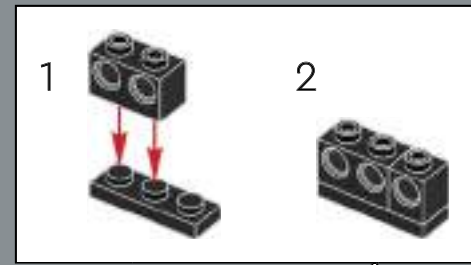




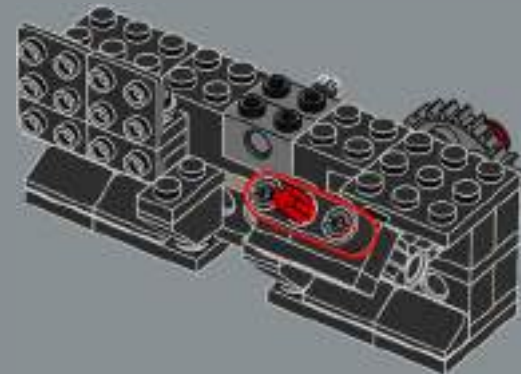
110

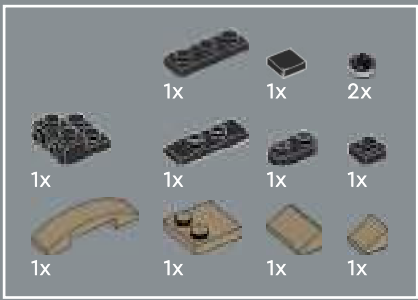


111

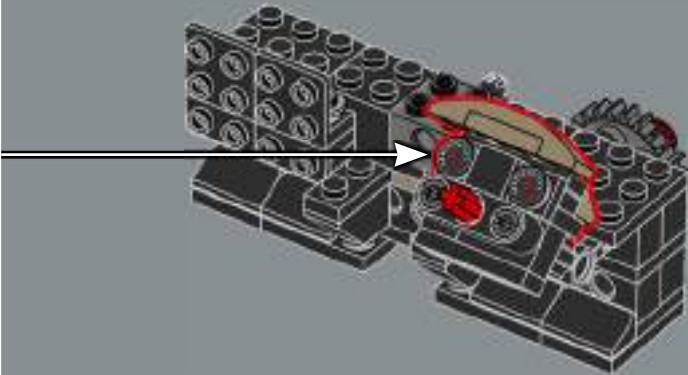
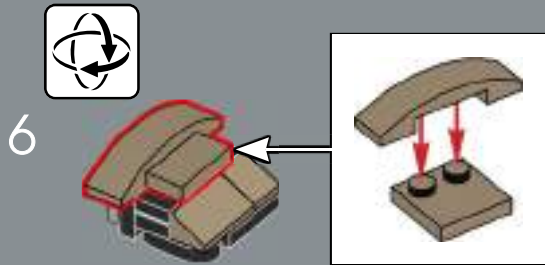
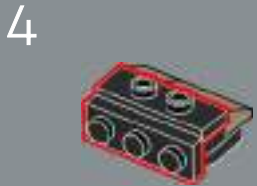
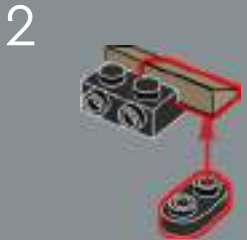
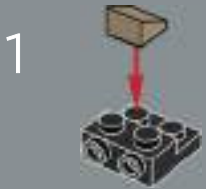


112

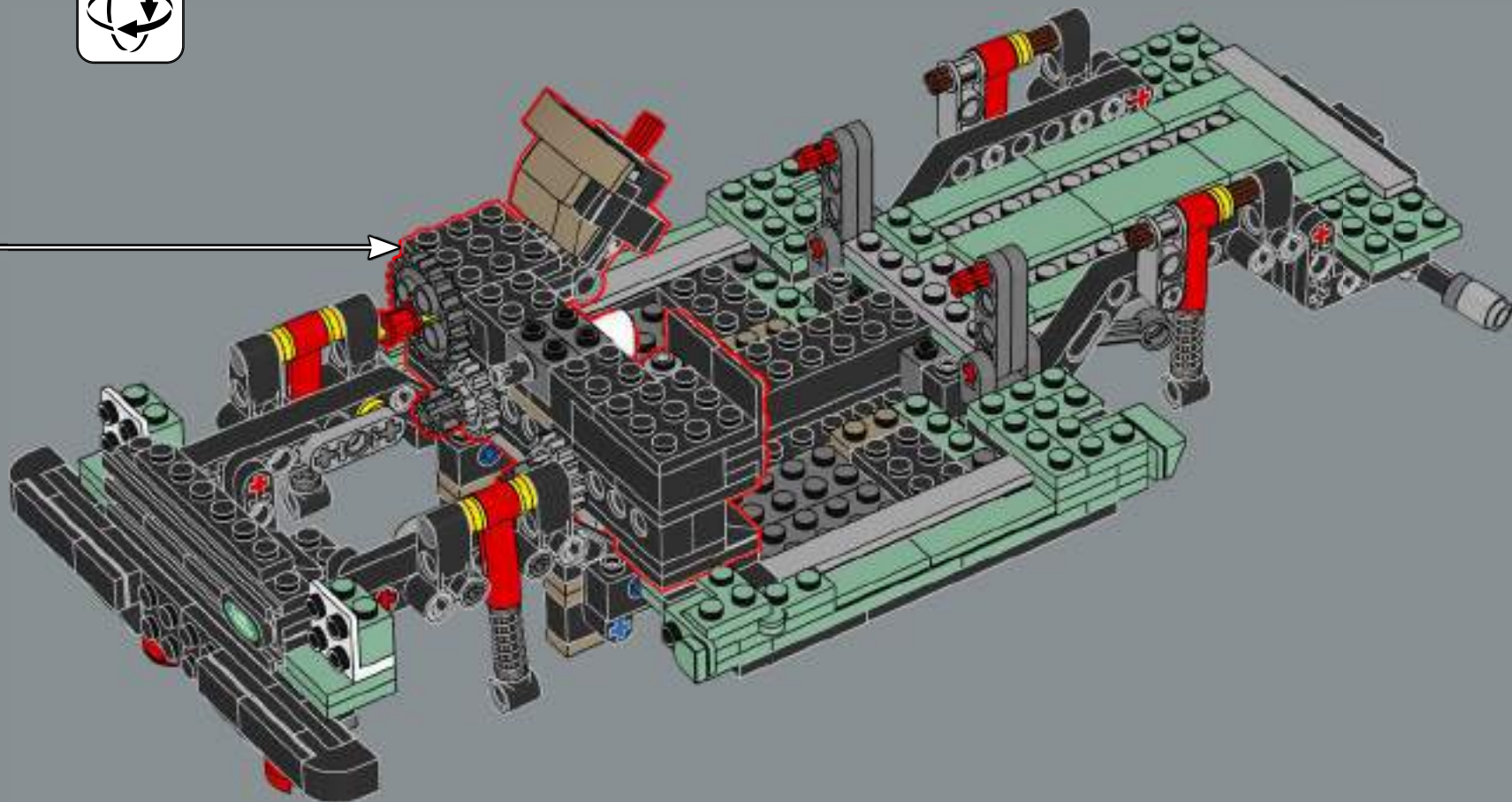




113

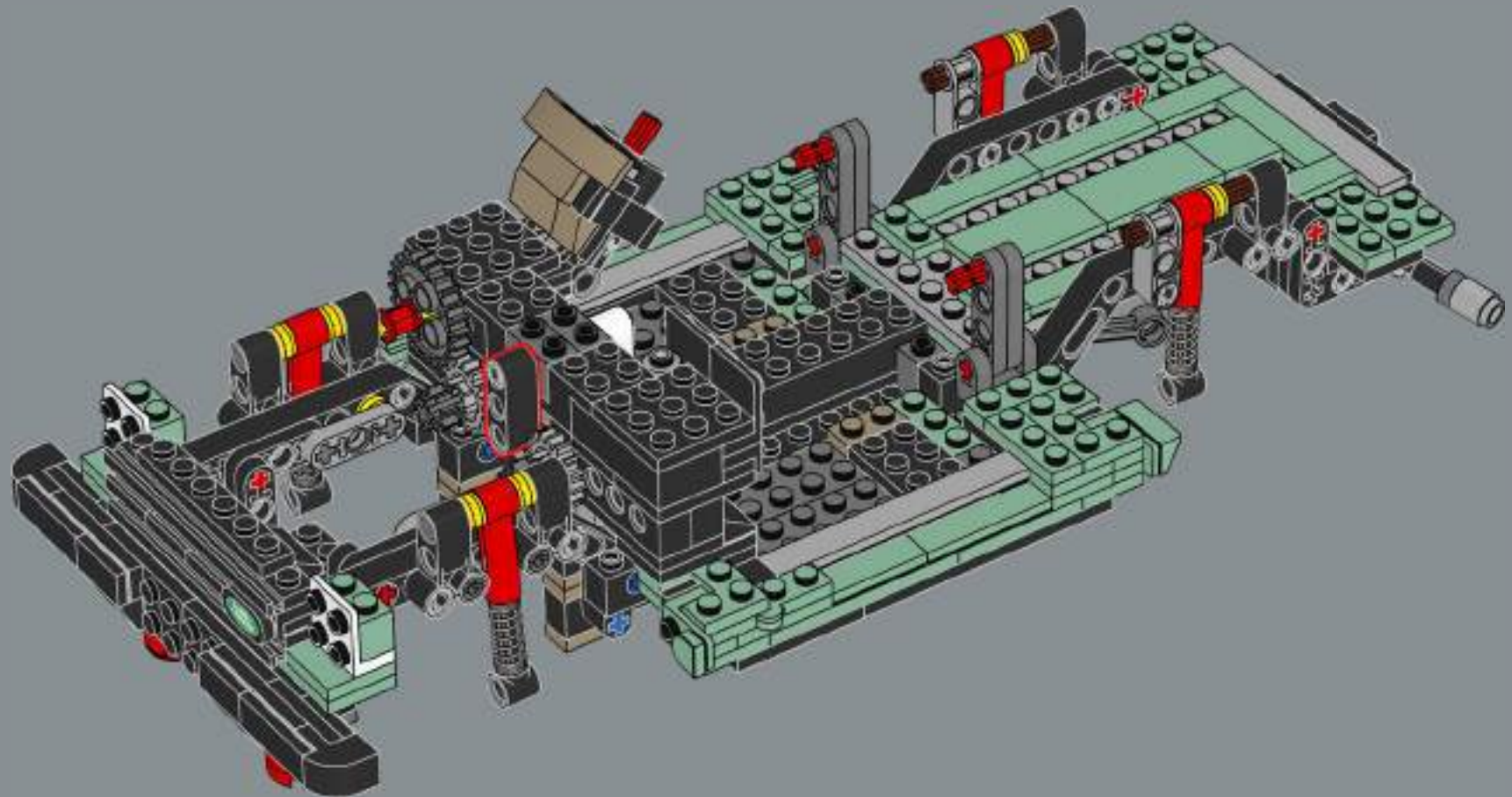


114



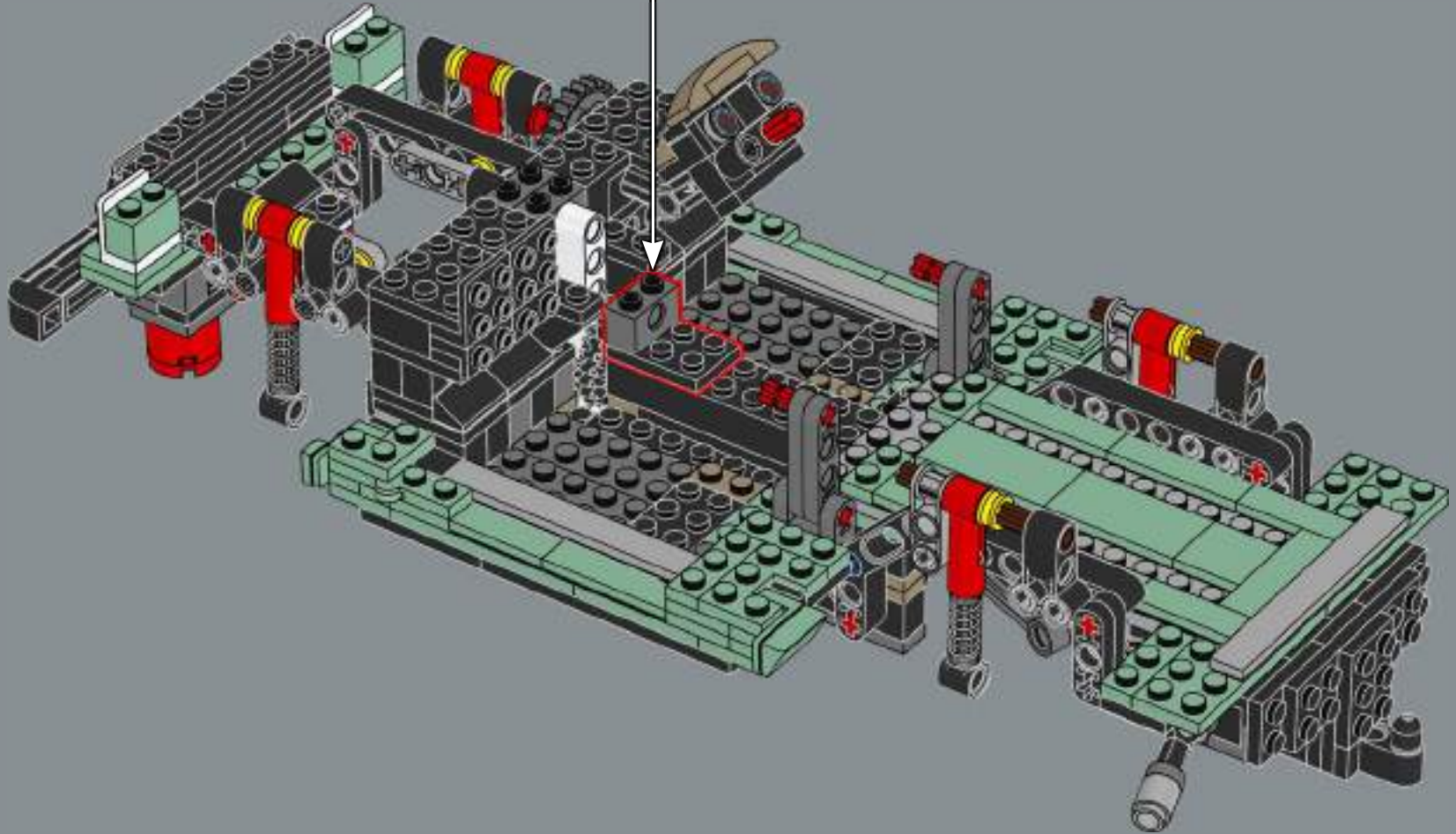


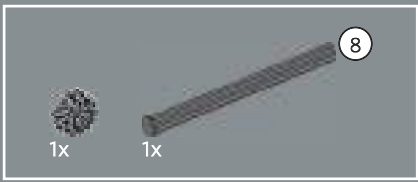
115



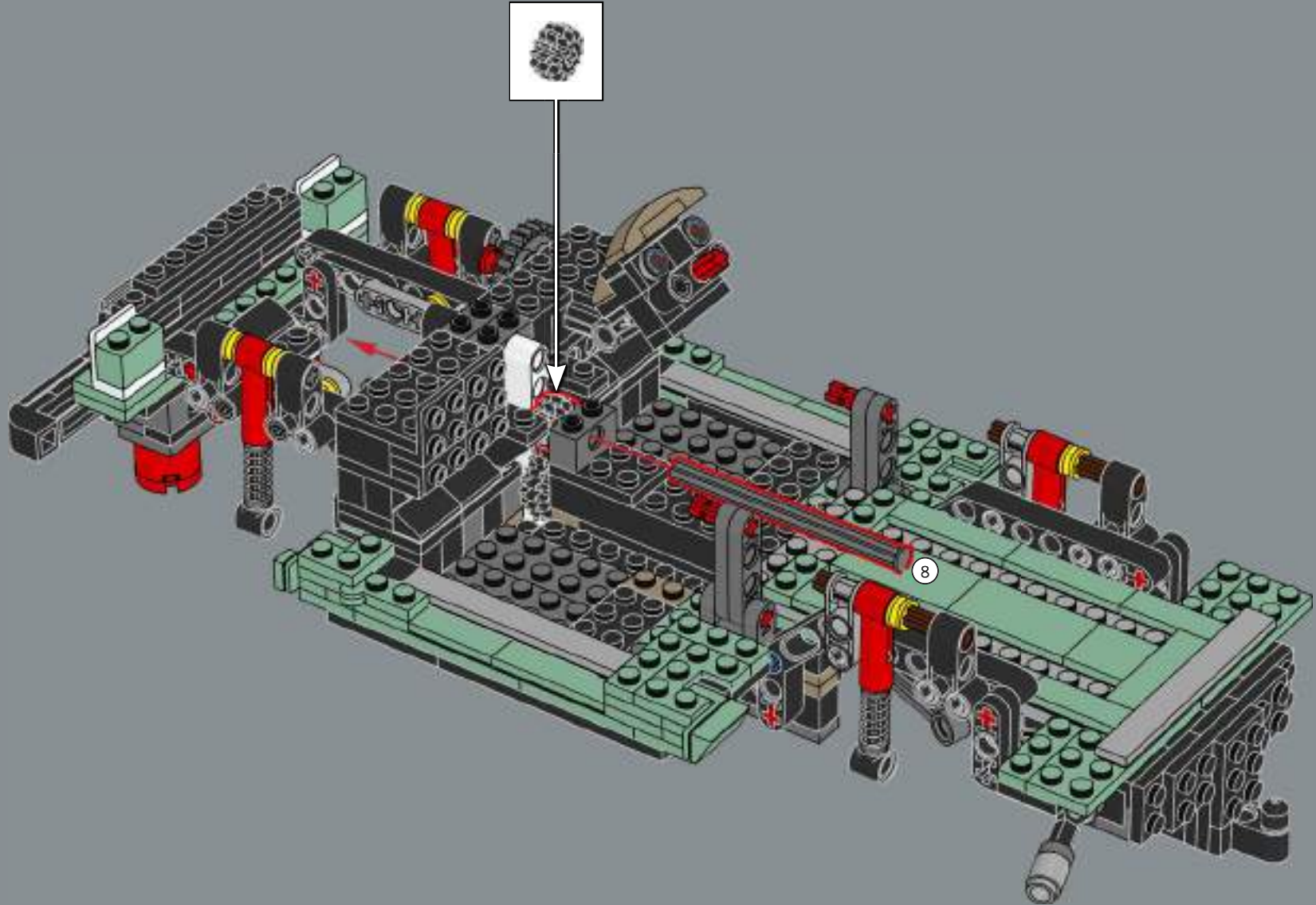


116



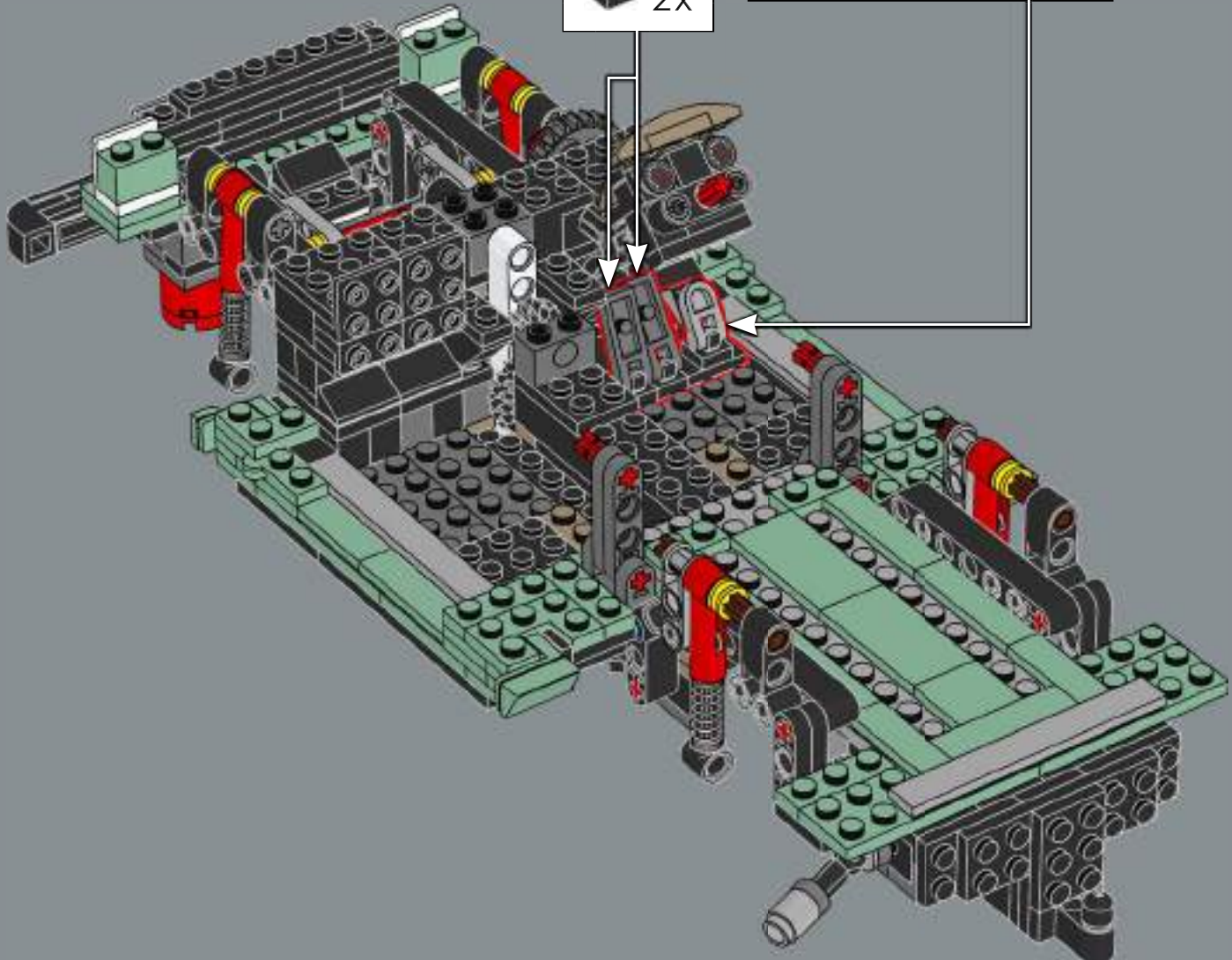
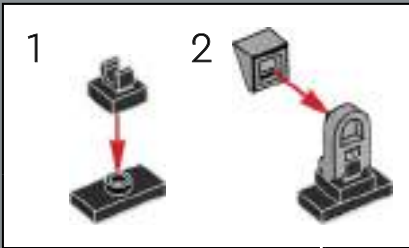


117



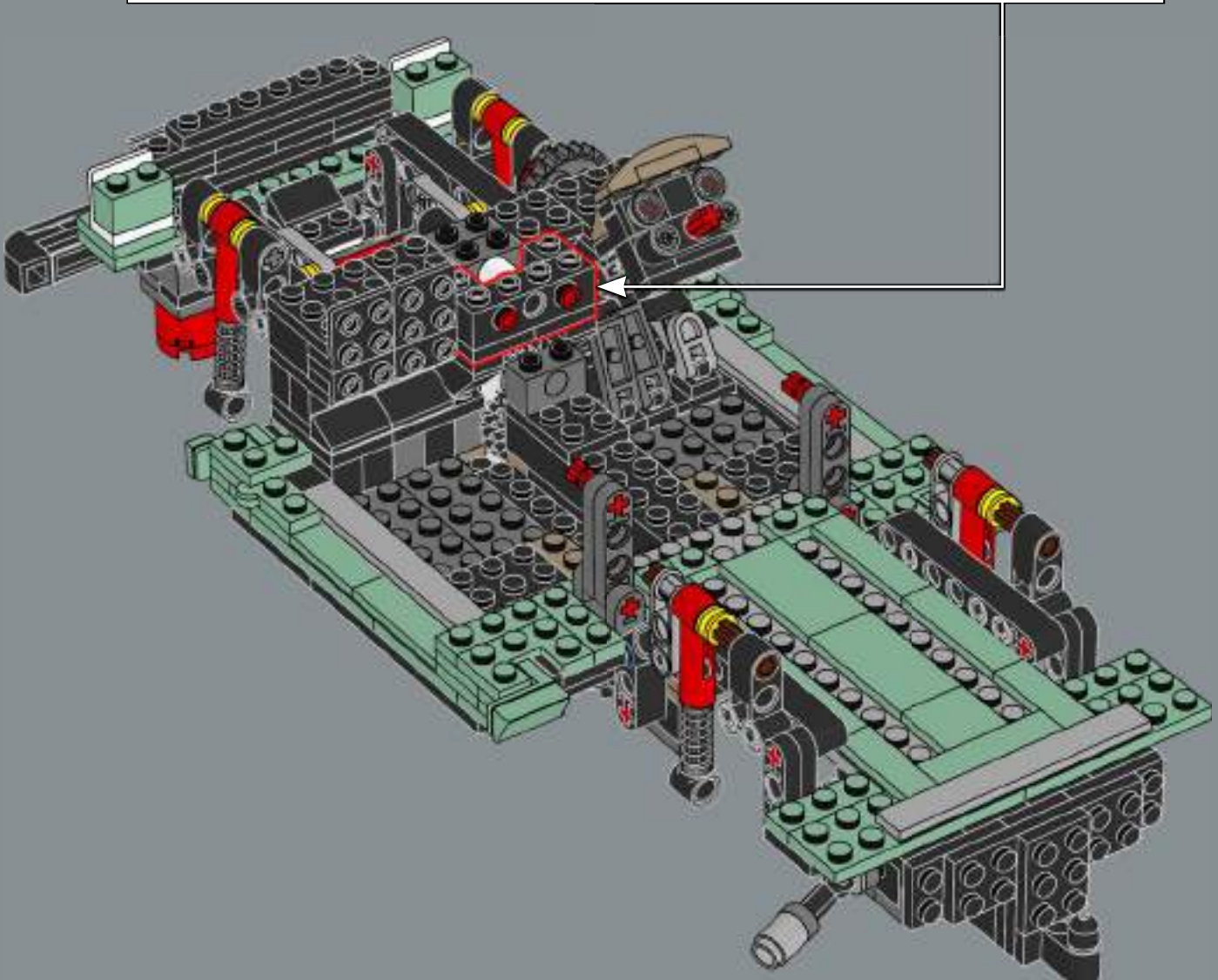
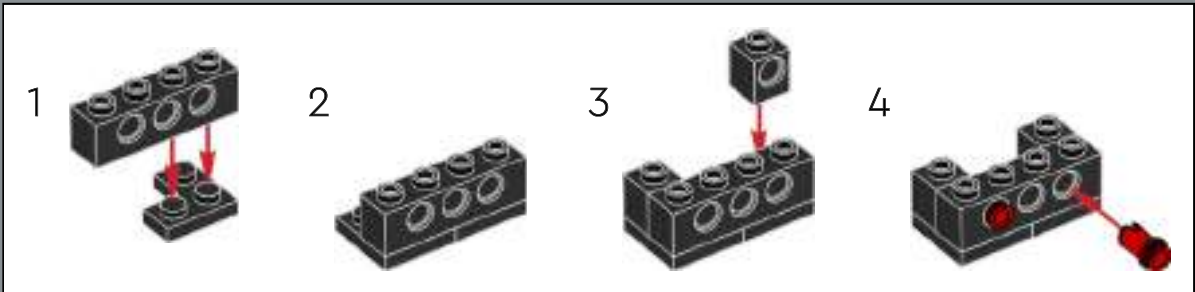


118



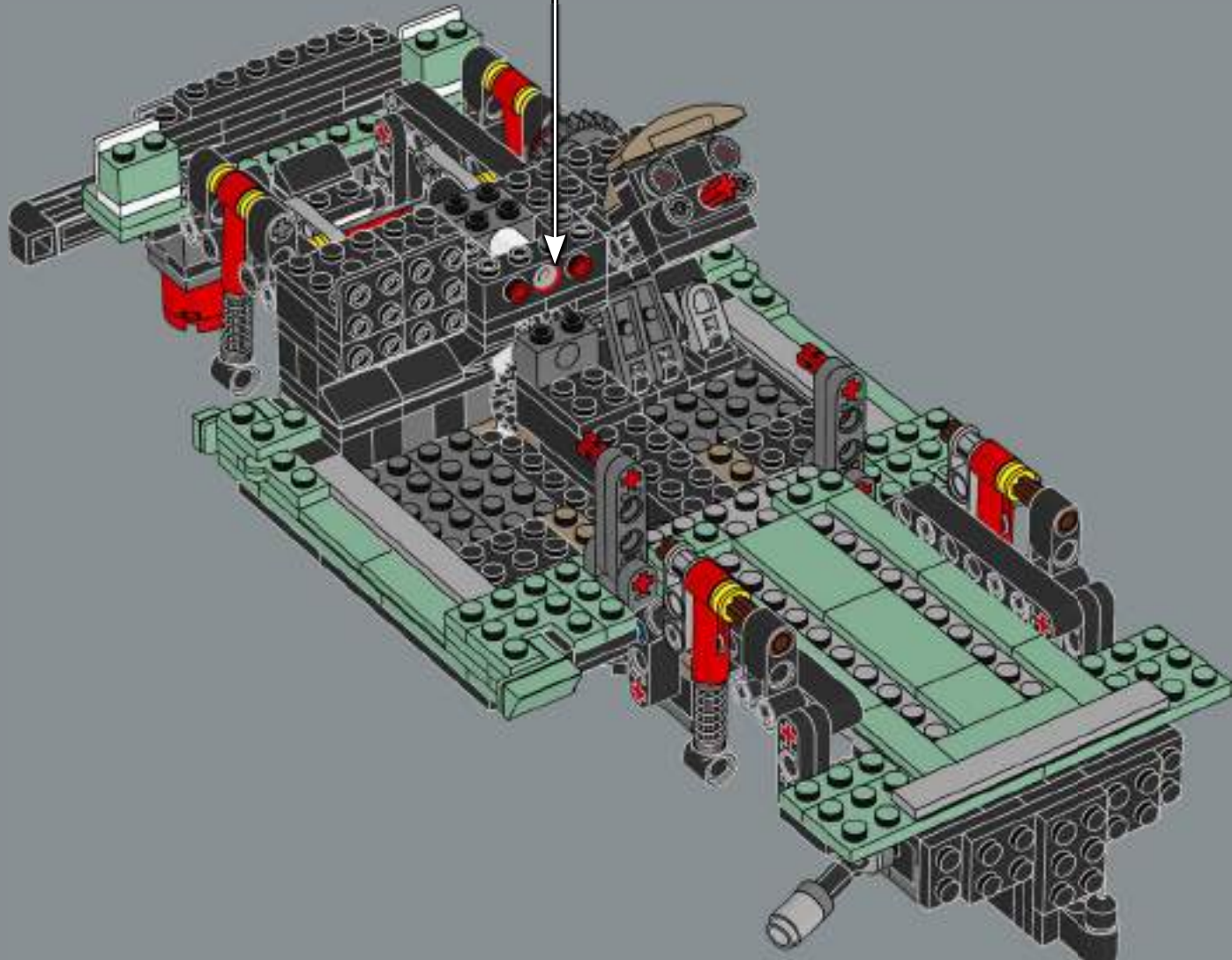


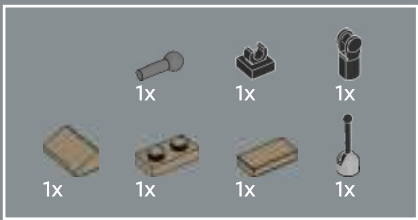
119



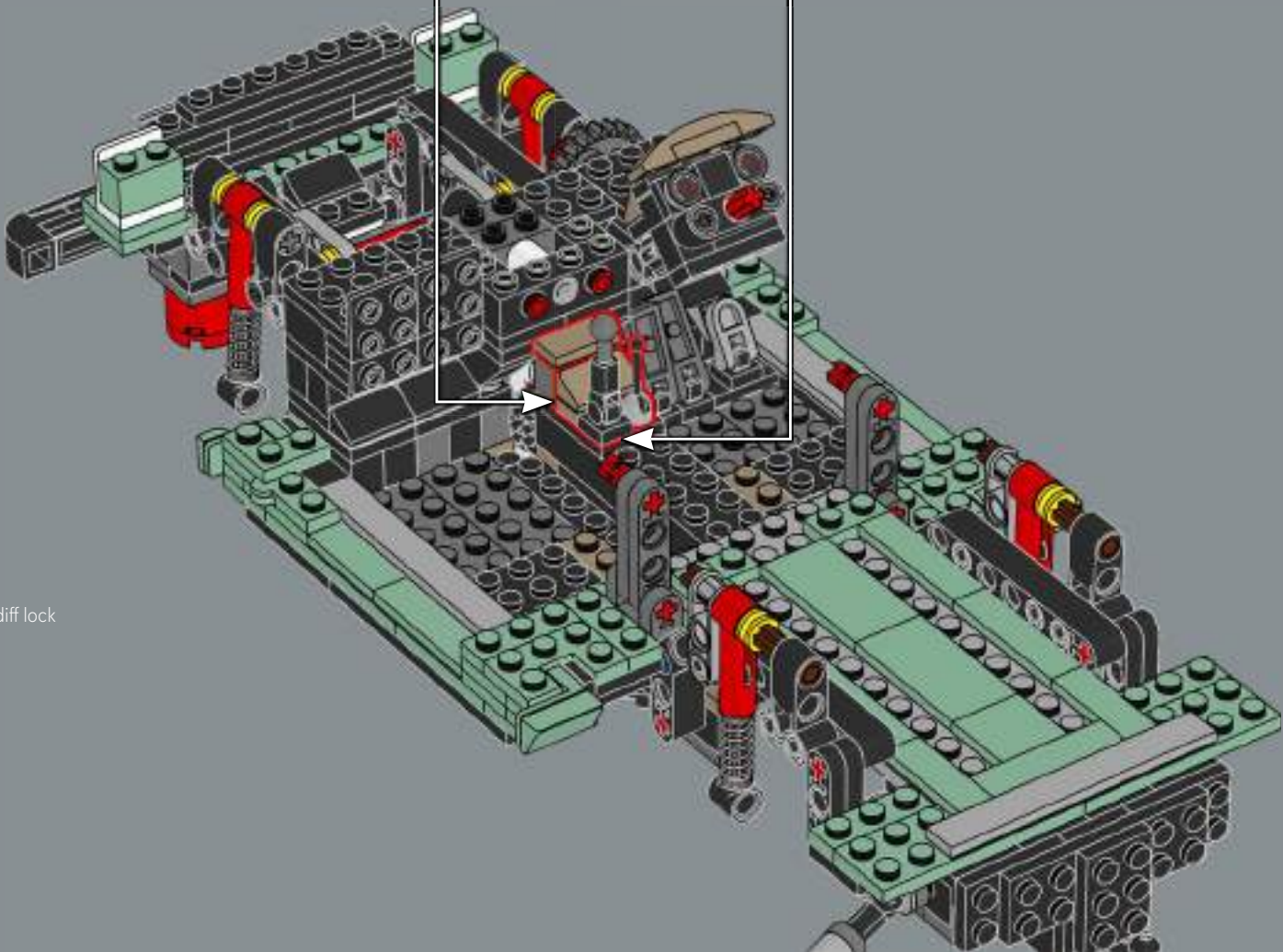
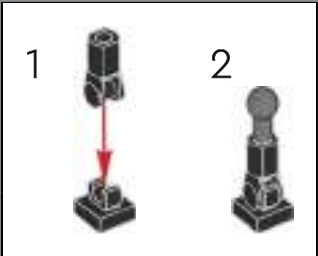
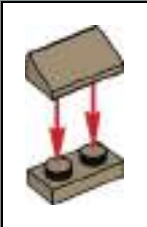


120





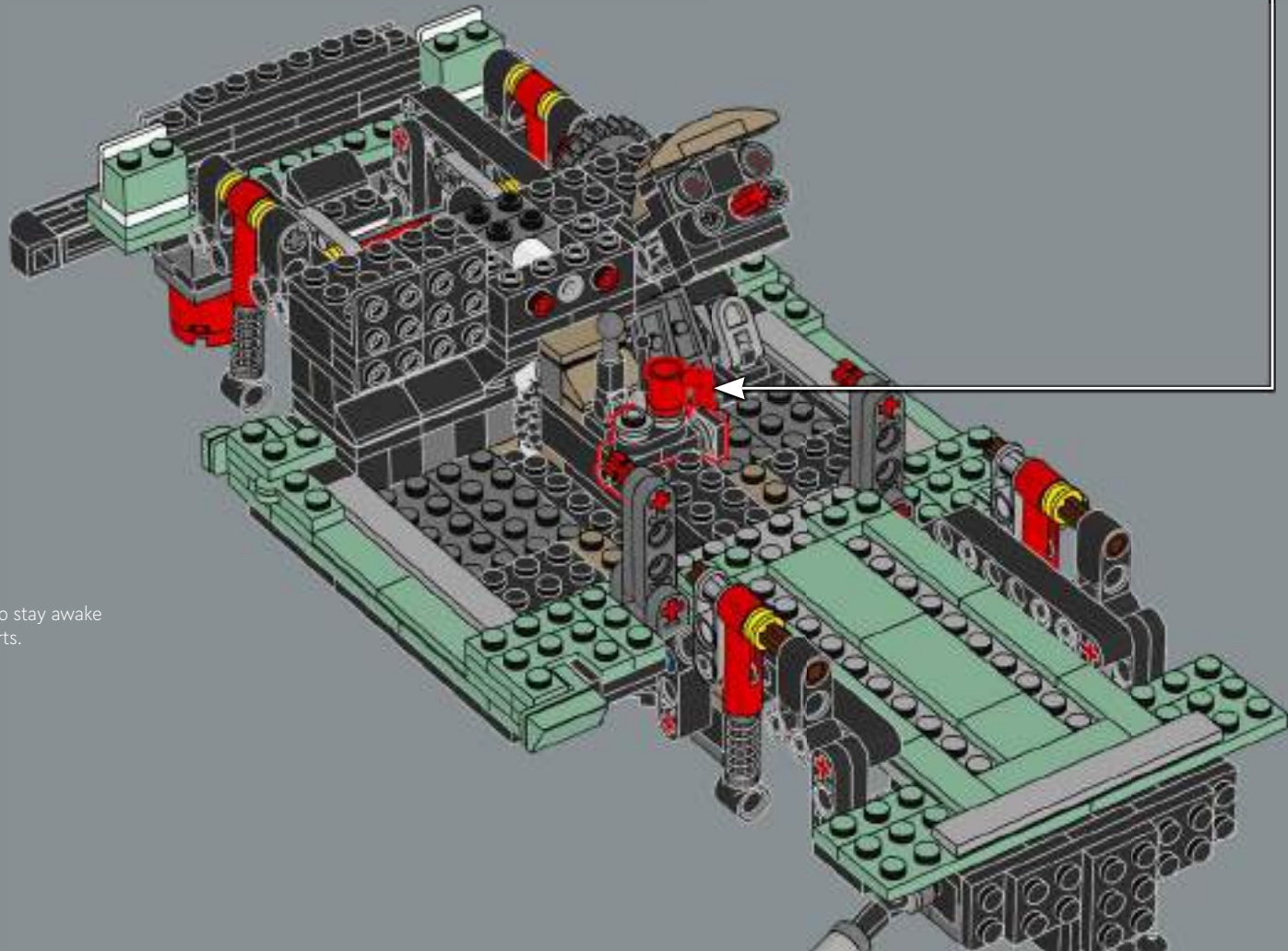
121



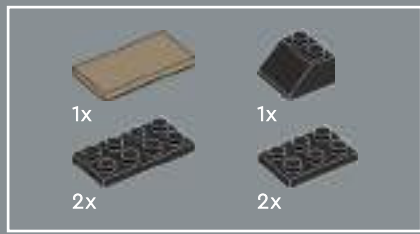
The second gear stick mimics 4WD and diff lock functions for your rough terrain driving.



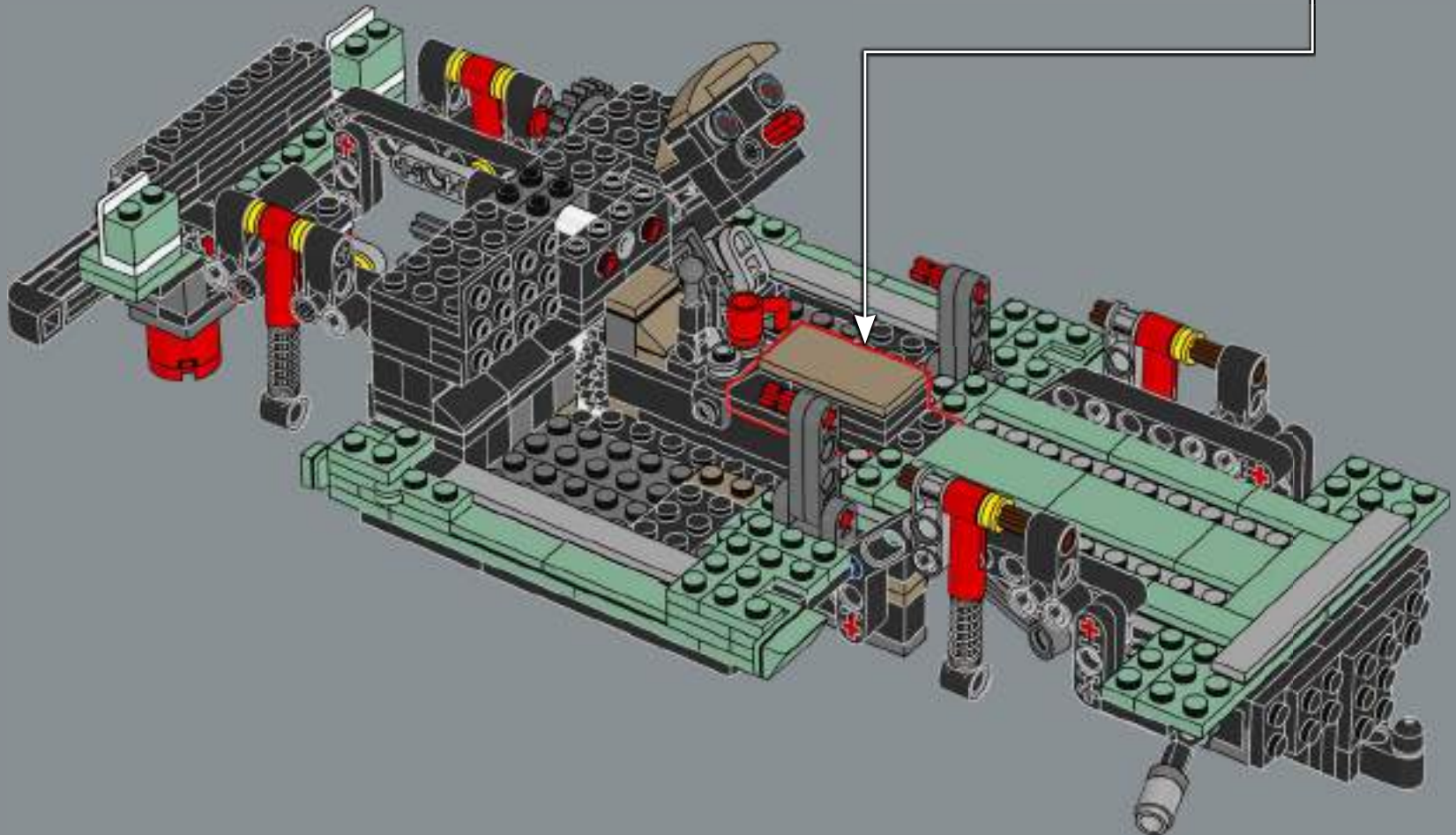
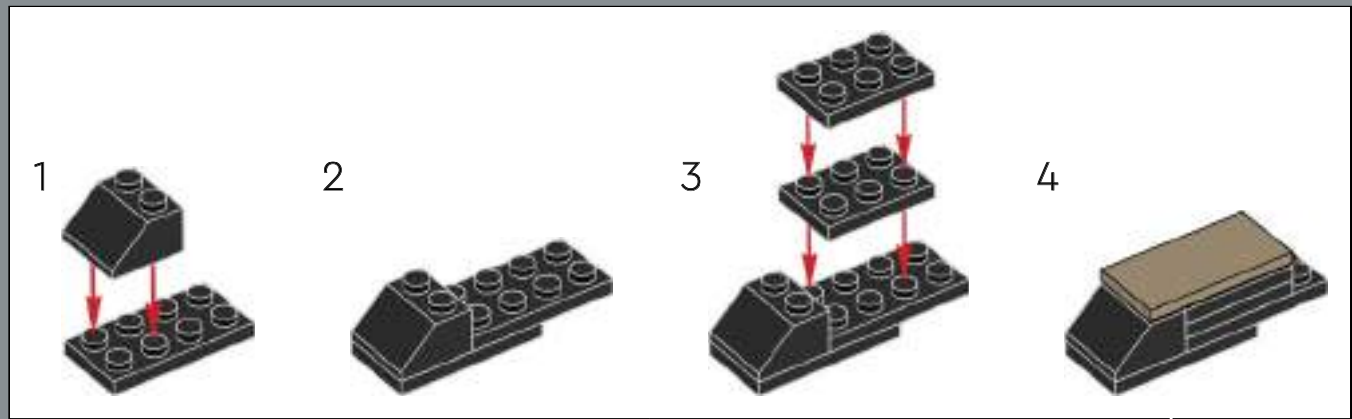
122

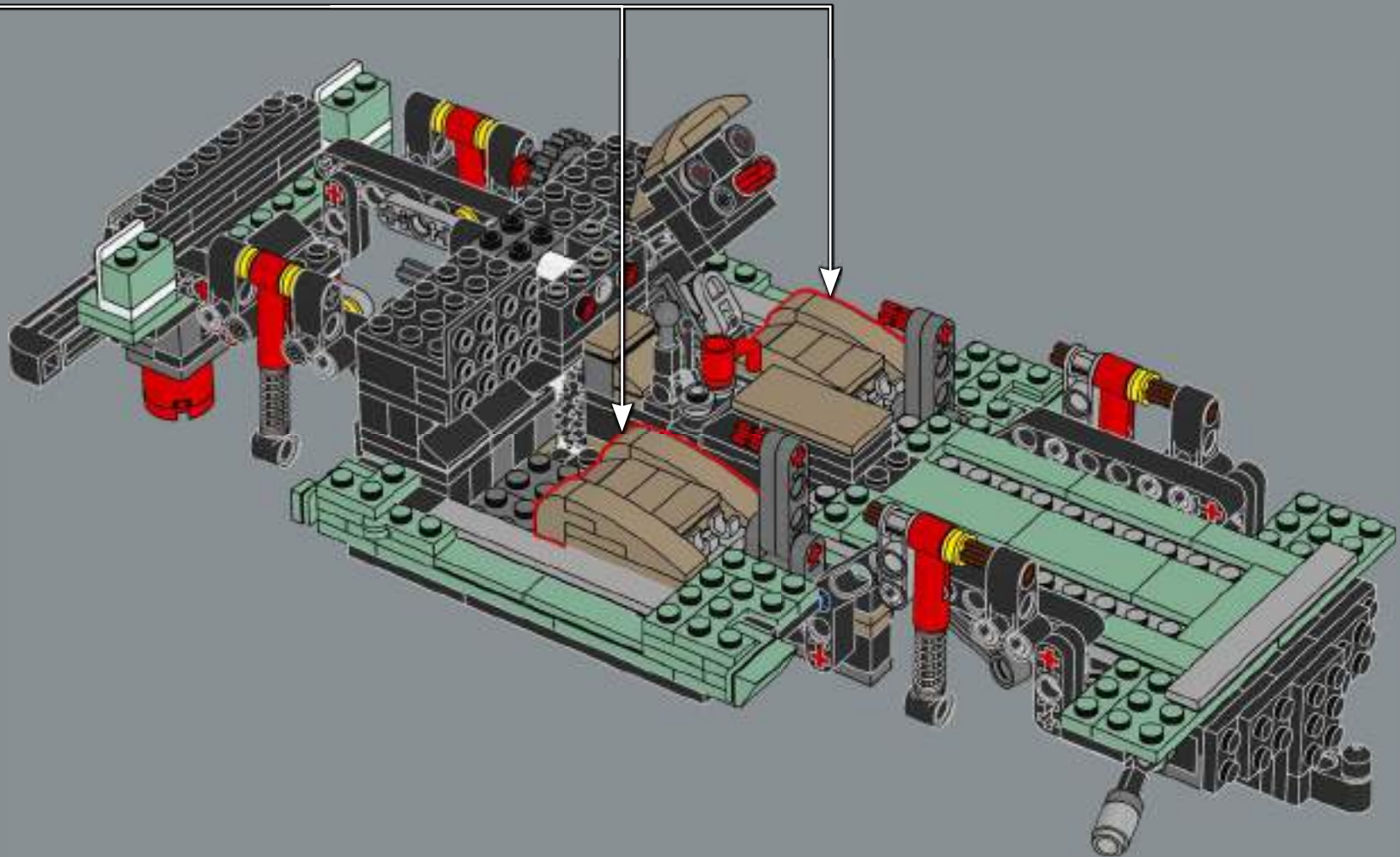


Don't forget to bring coffee to stay awake and alert in jungles and deserts.



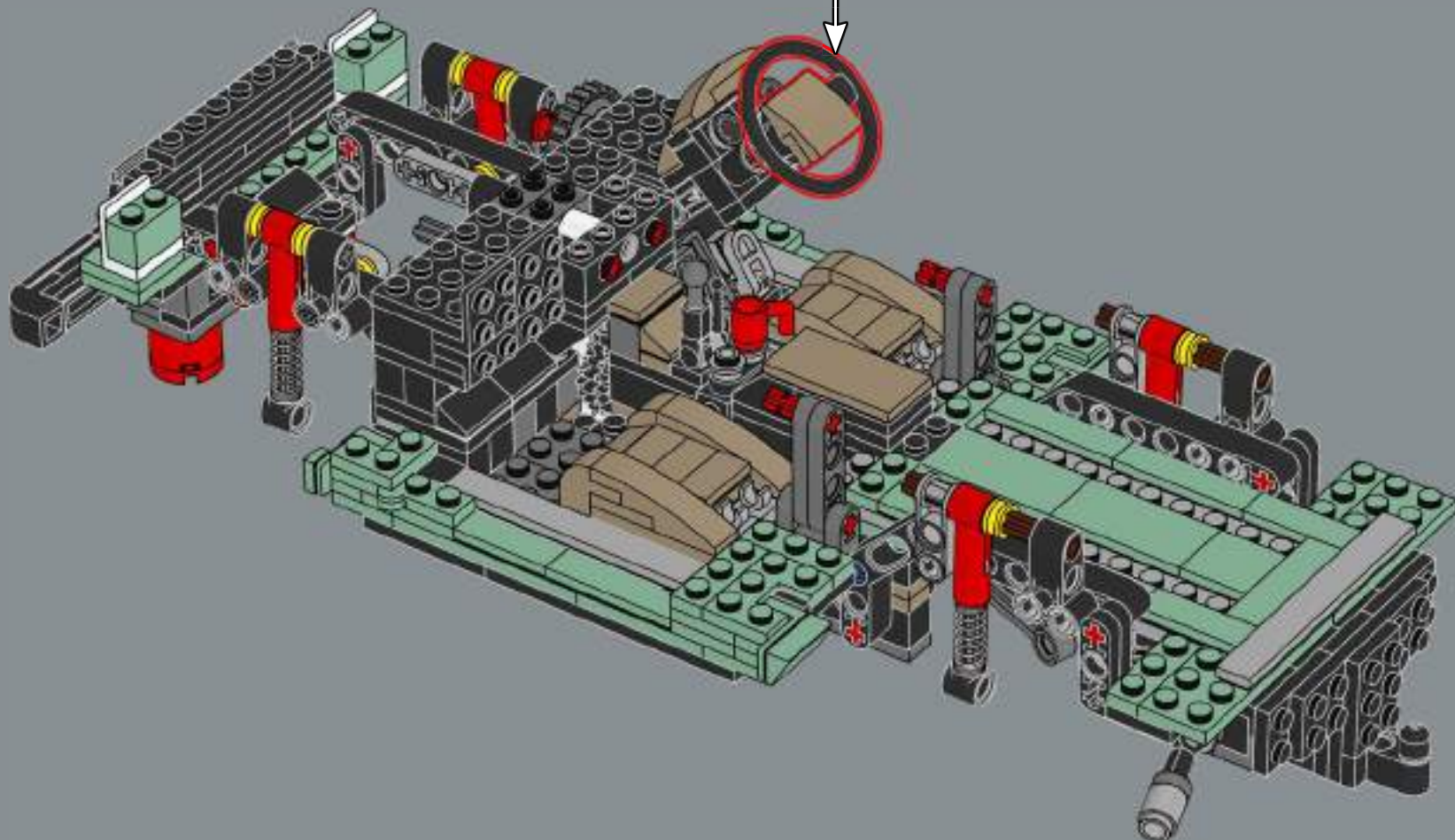
123





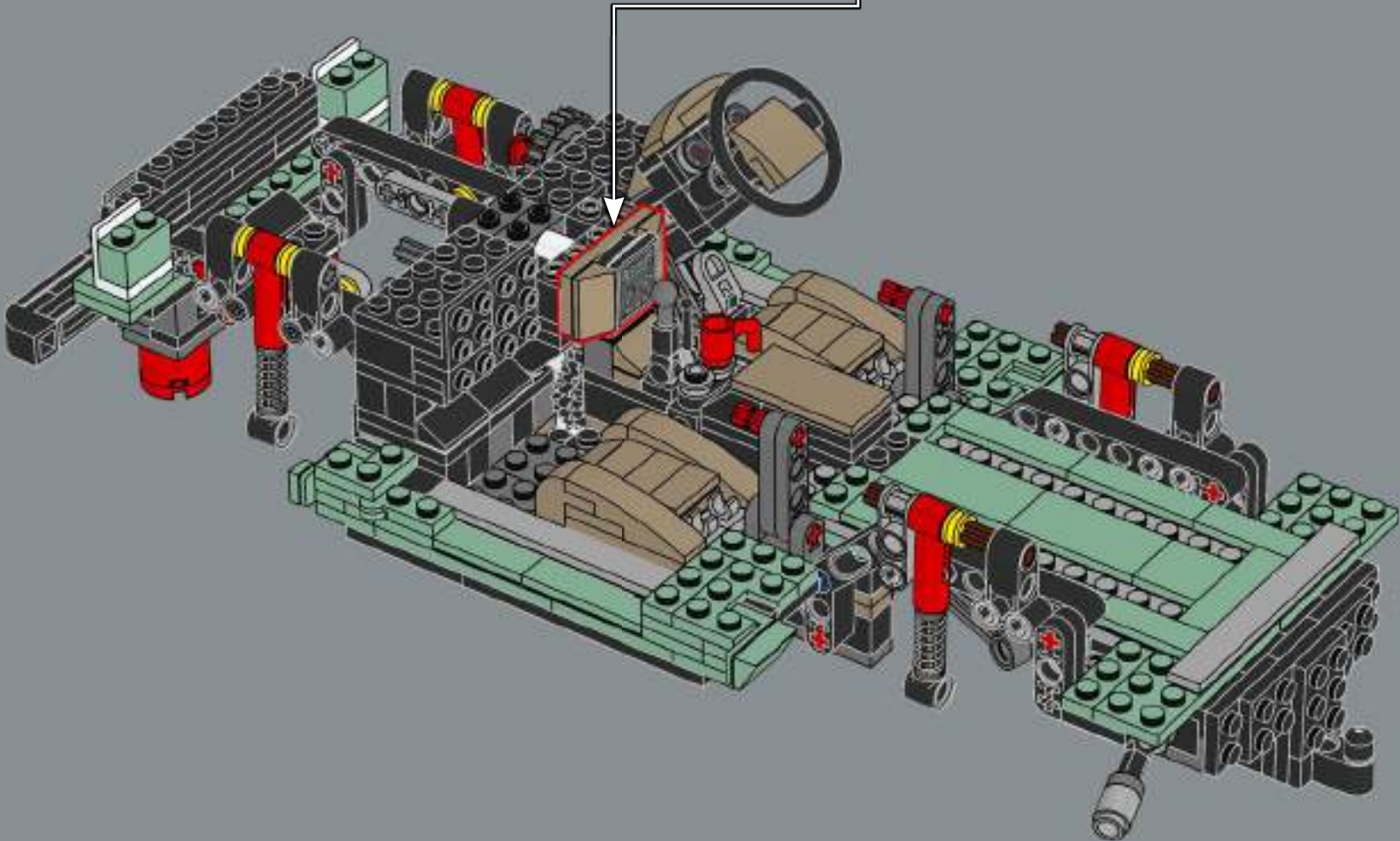


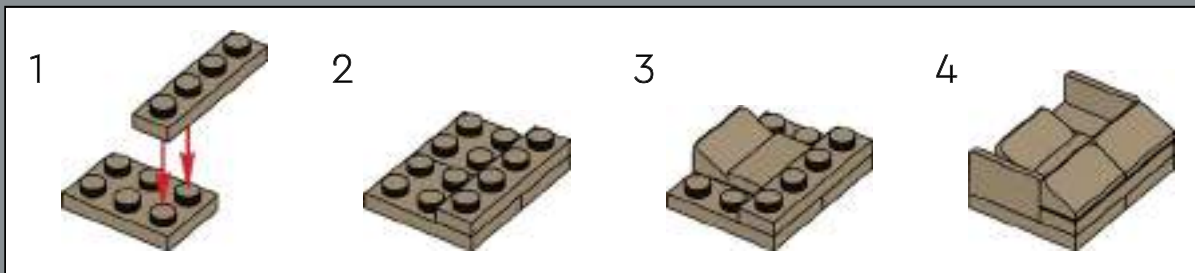
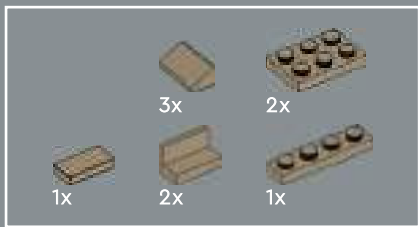
125



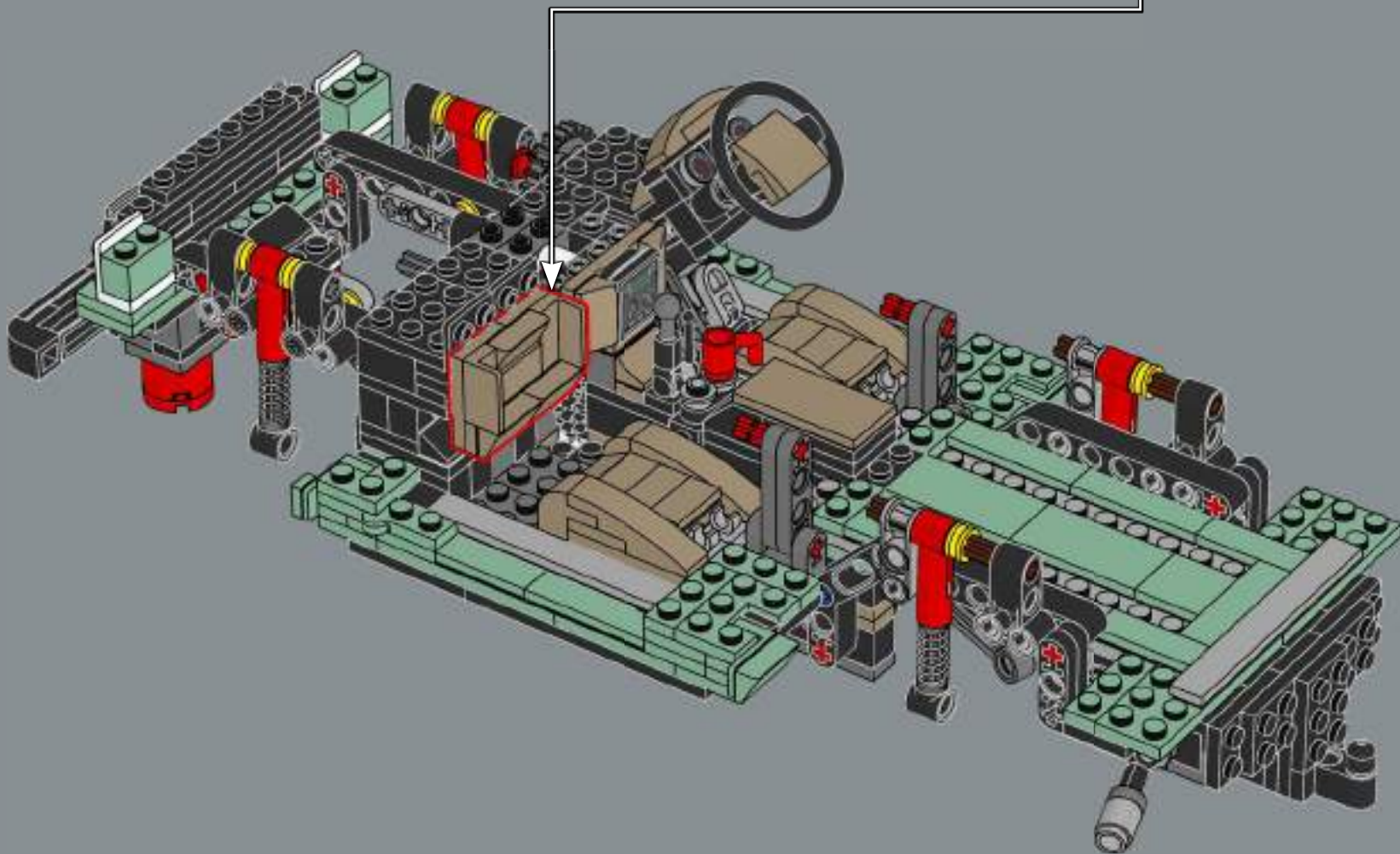


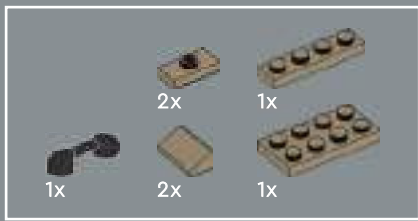
126



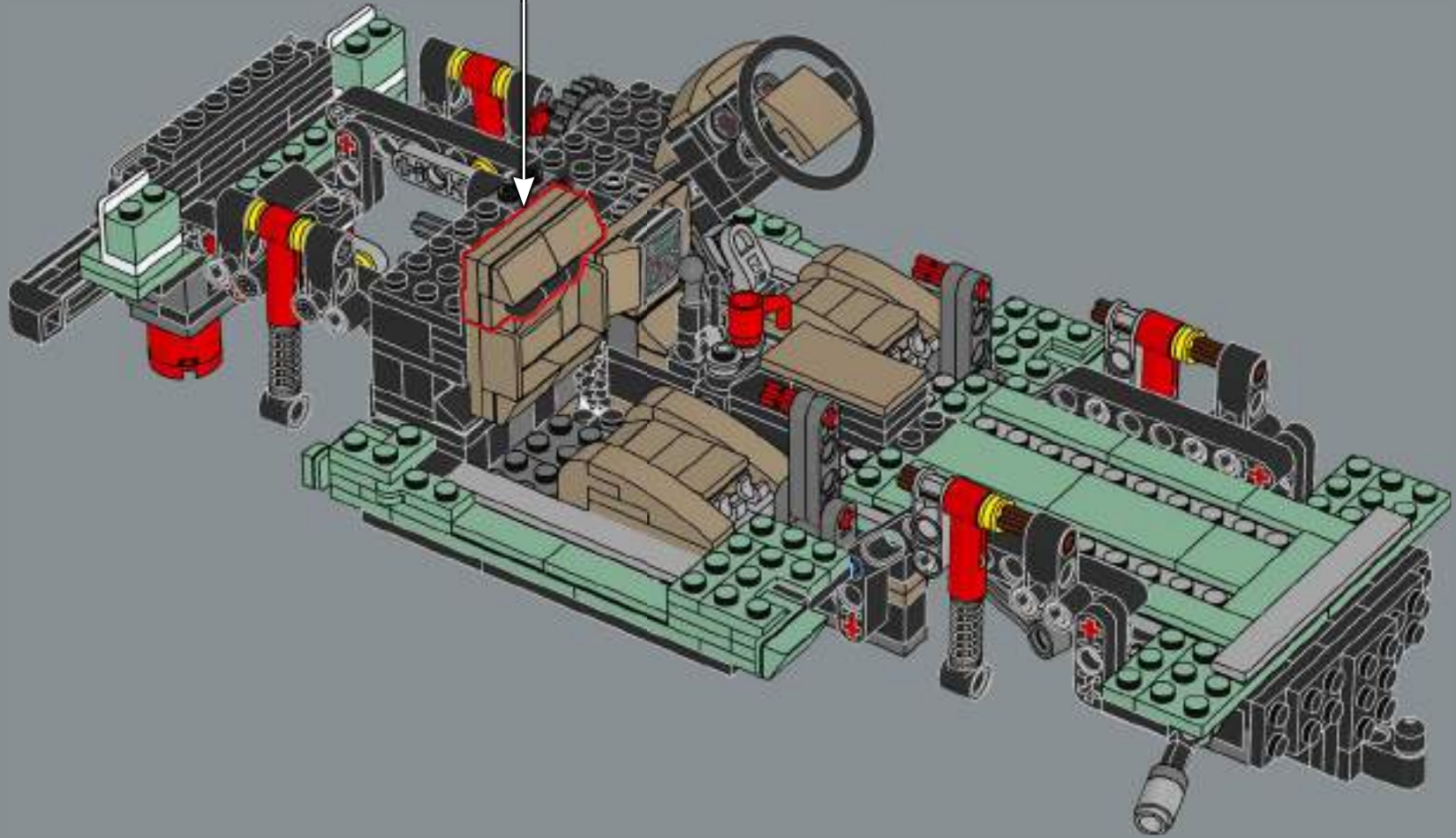
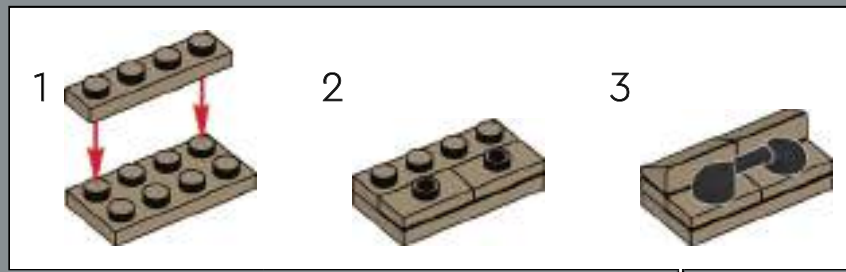


127



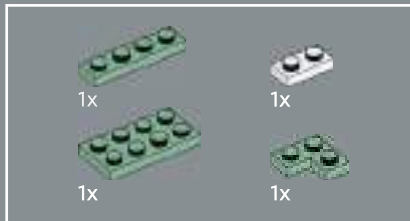


128

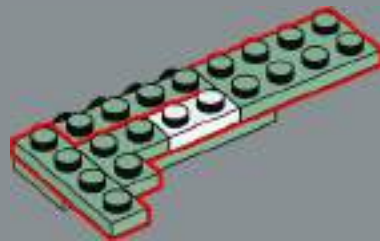




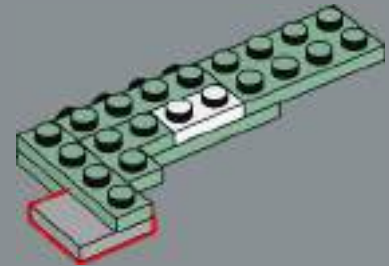
129



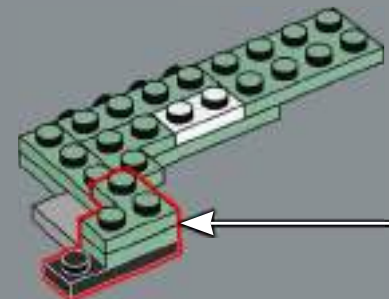
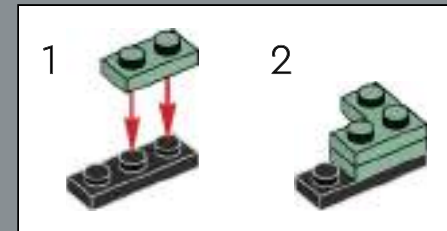
130

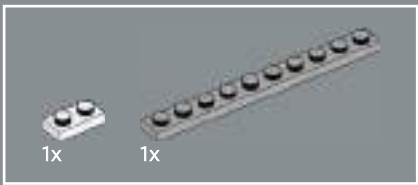


131

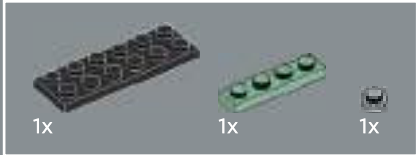
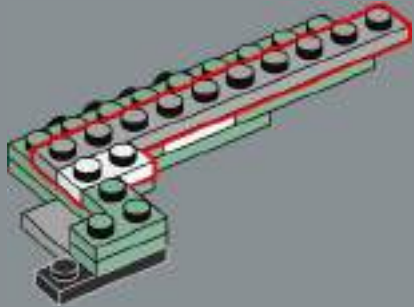


132

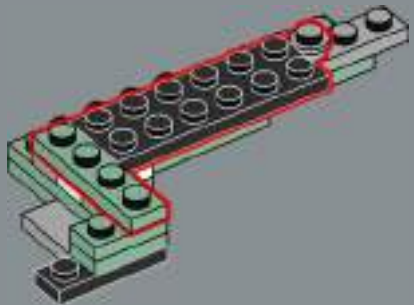




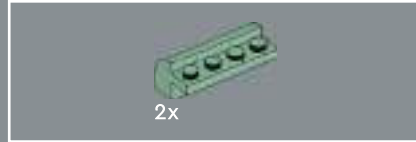
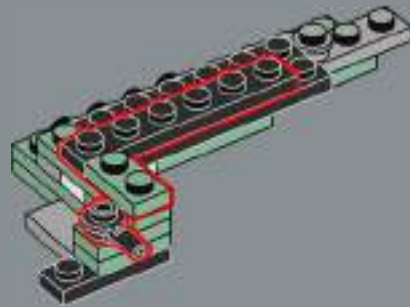
133



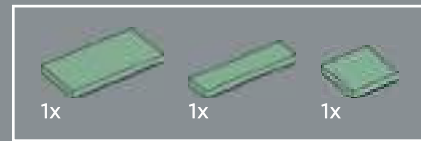
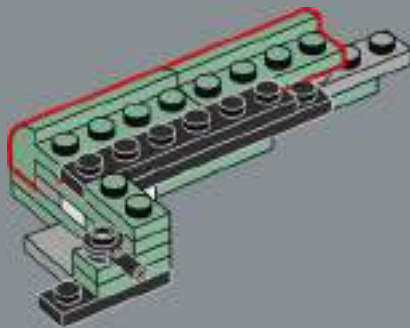
134



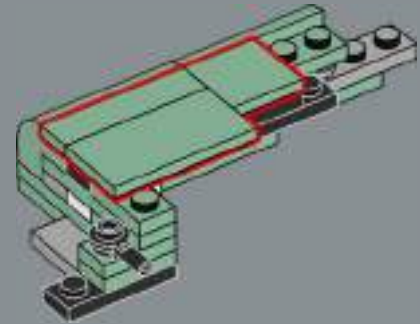
135



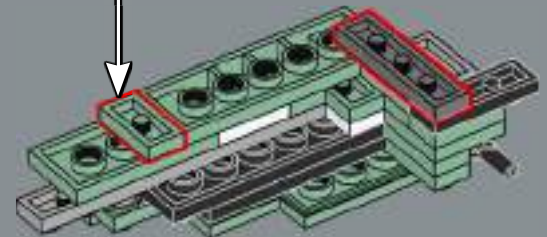
136

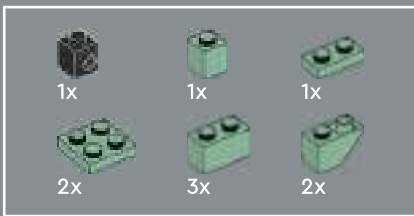


137

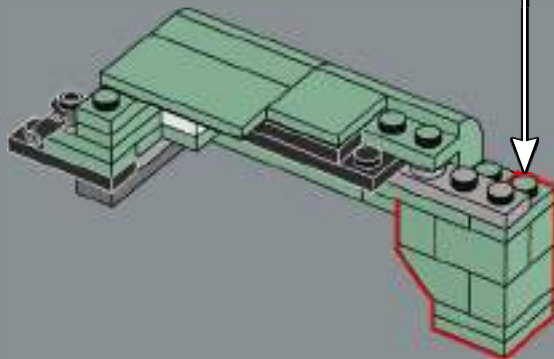
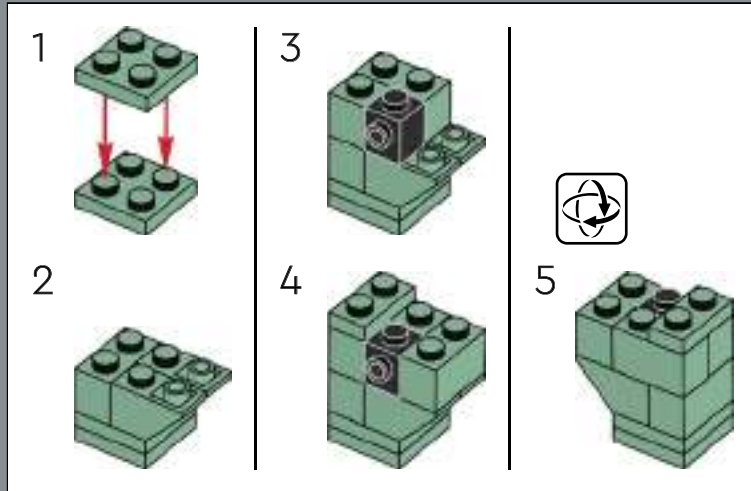


138

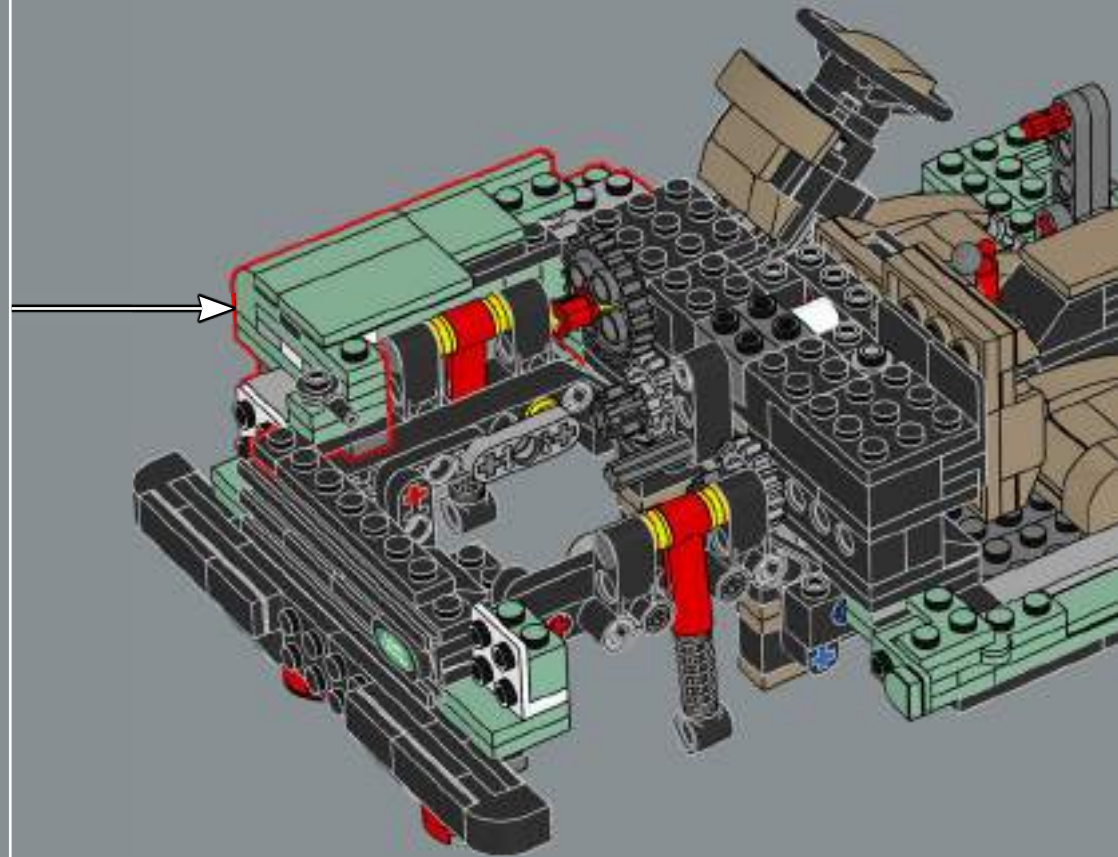




139



140





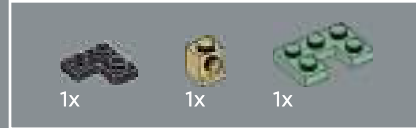
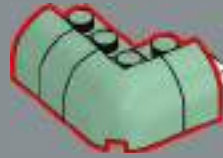
141



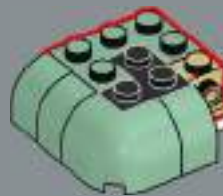
142



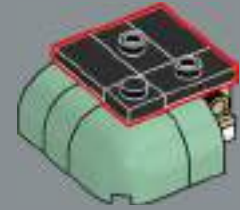
143



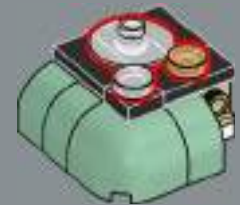
144



145

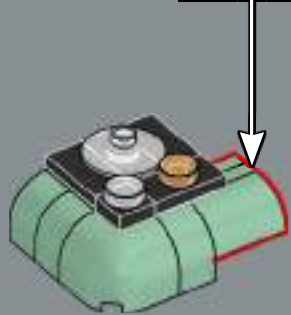
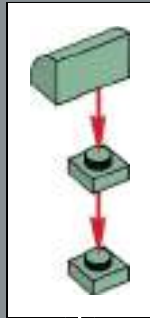


146

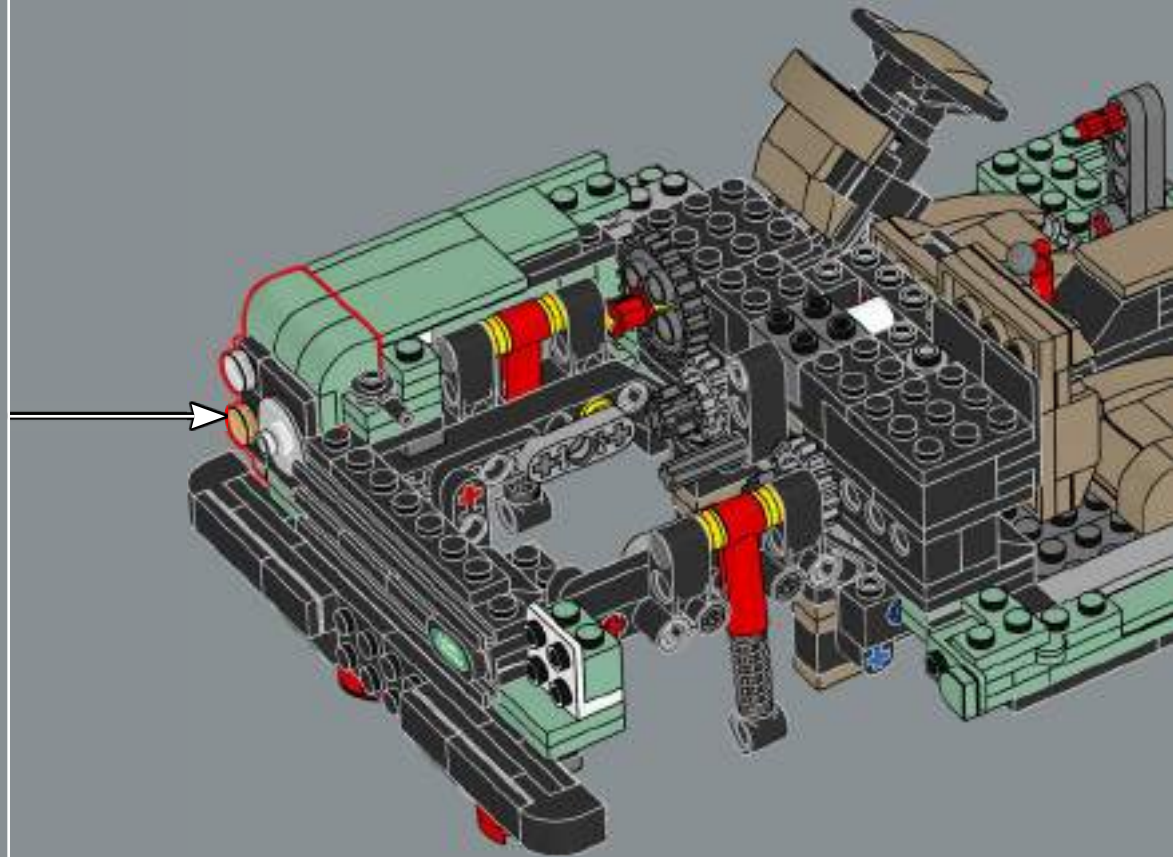




147

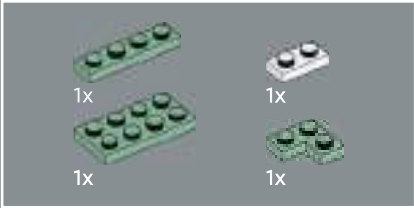
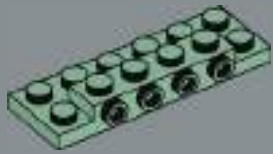


148

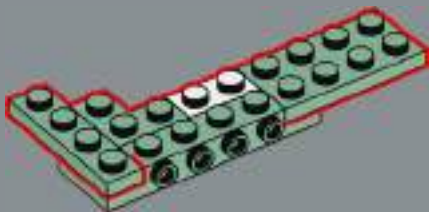




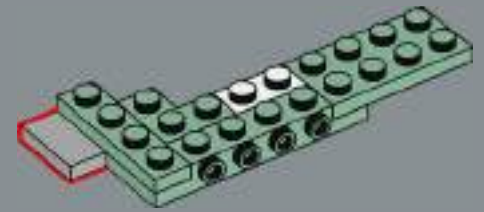
149



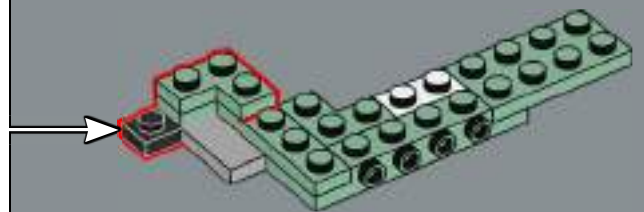
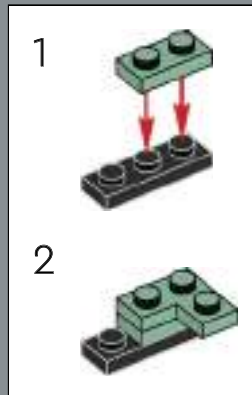
150

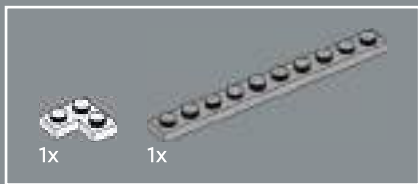


151

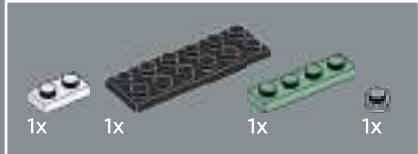
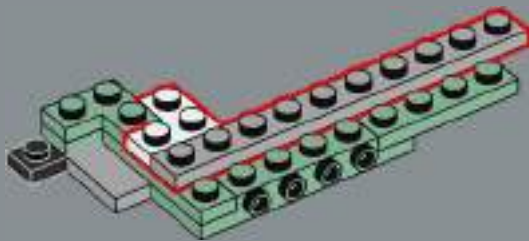


152

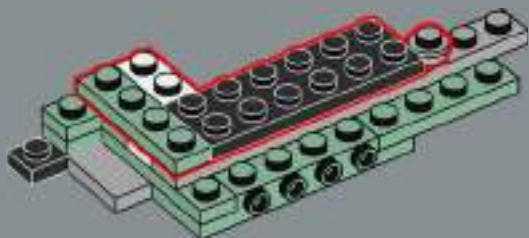




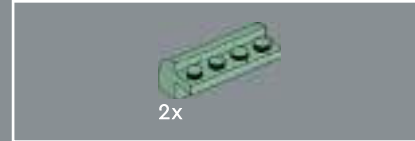
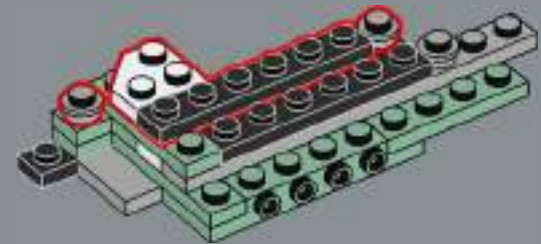
153



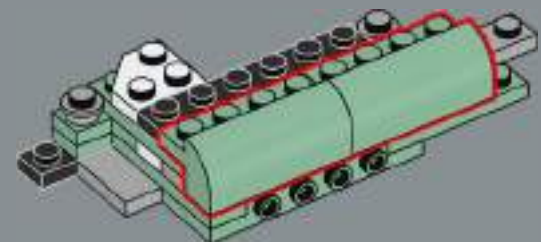
154

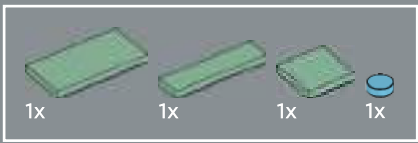


155

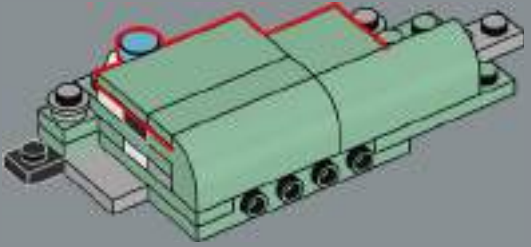


156

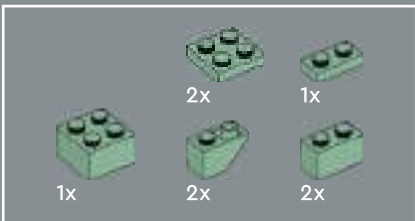
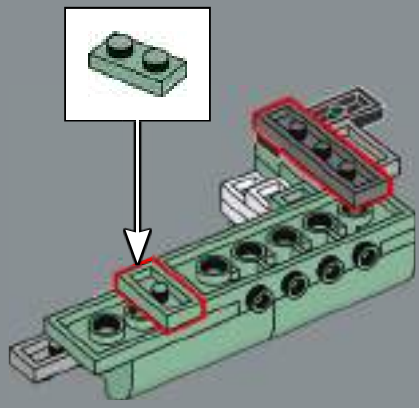




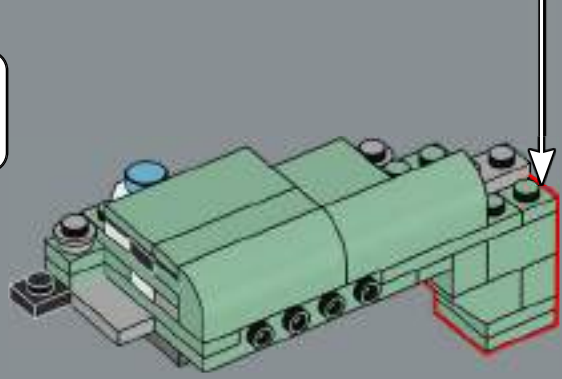
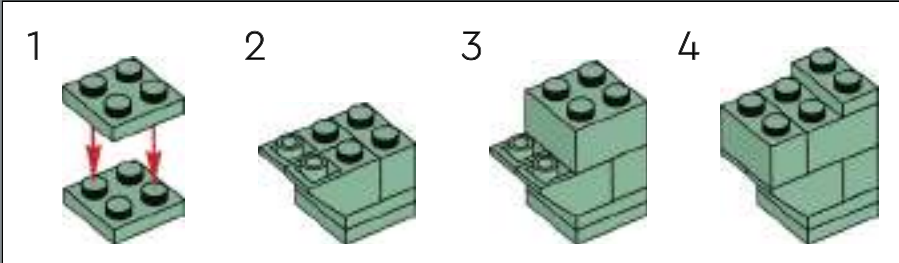
157



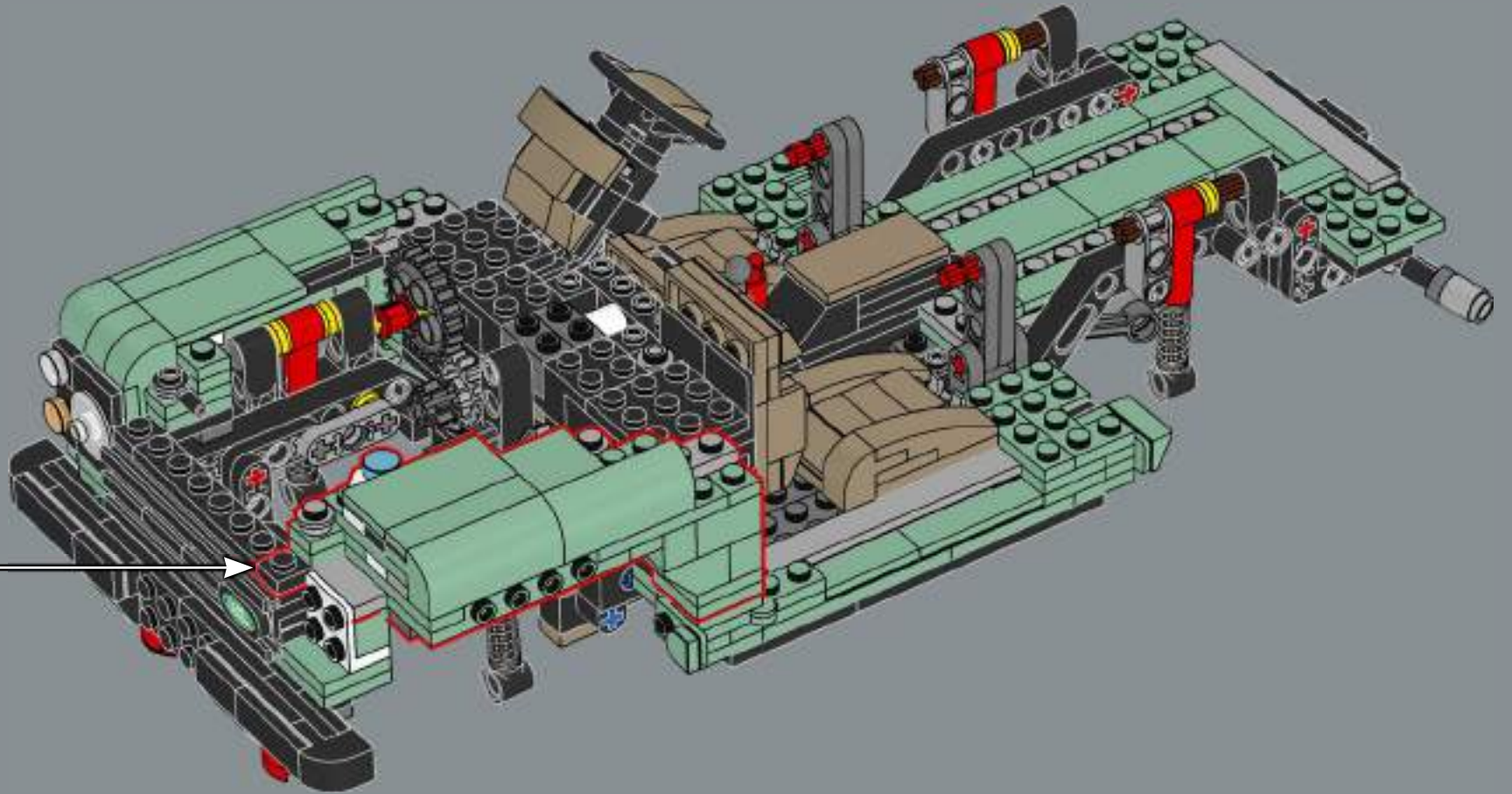
158



159



160





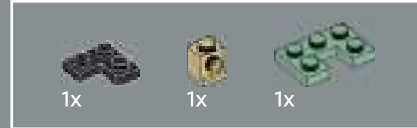
161



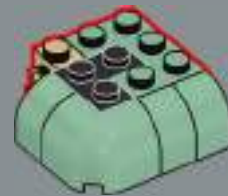
162



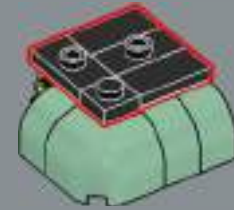
163



164



165

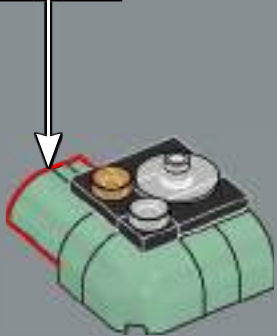
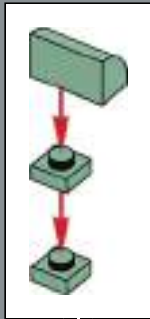


166

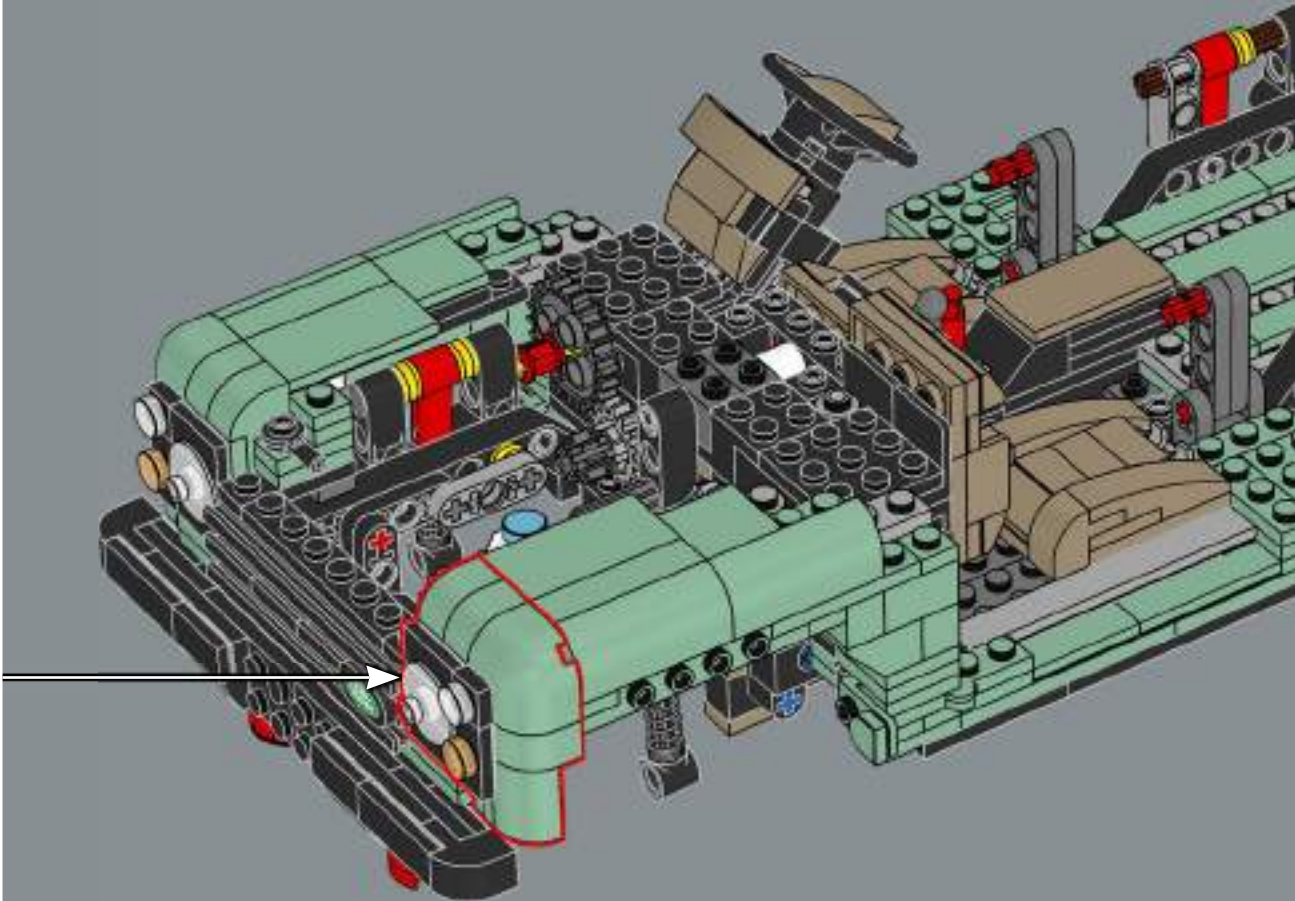


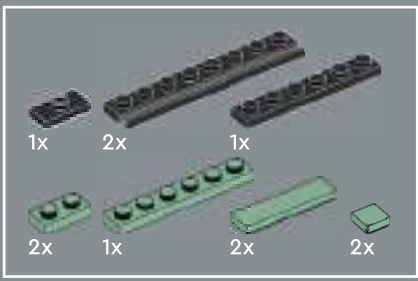


167

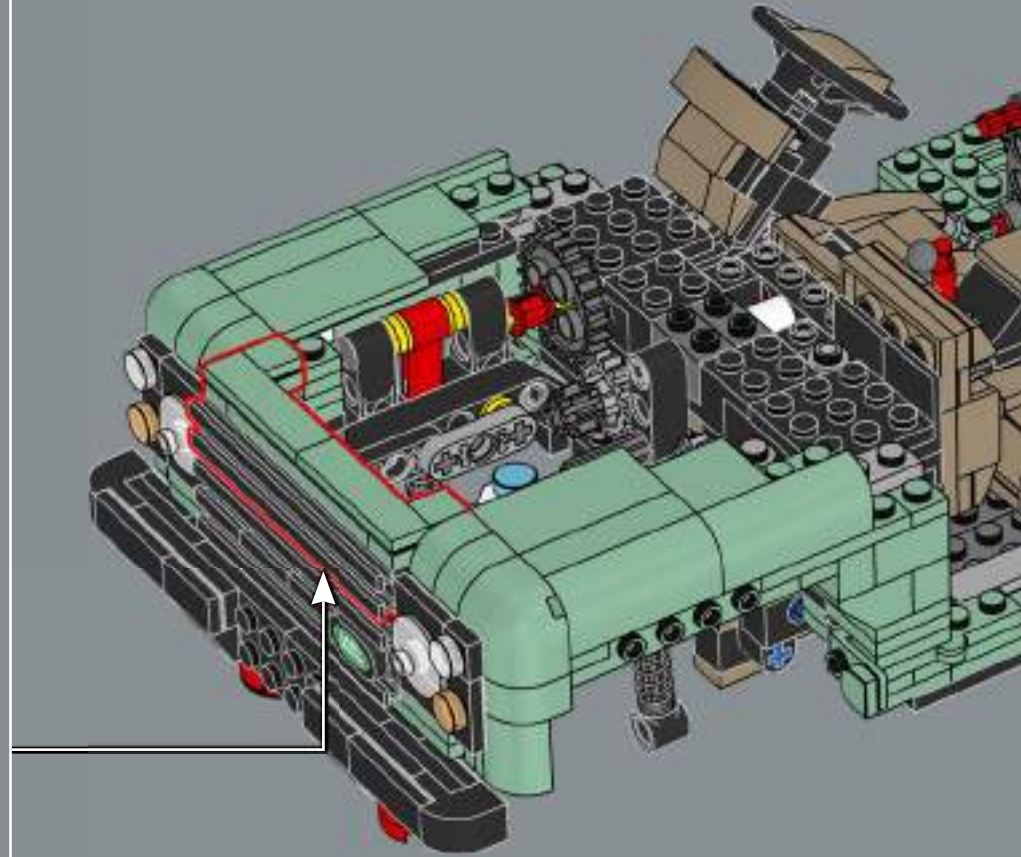
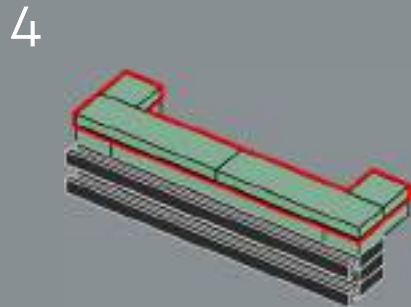
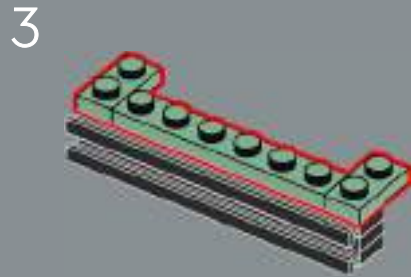
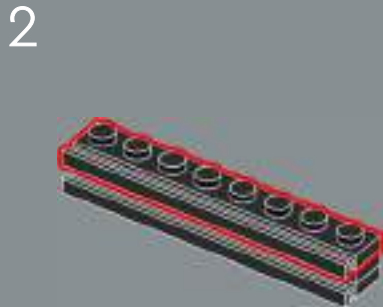
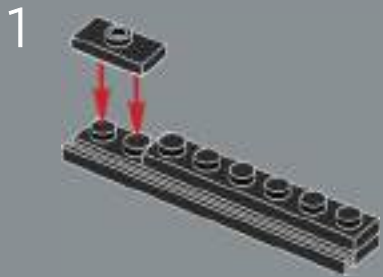


168



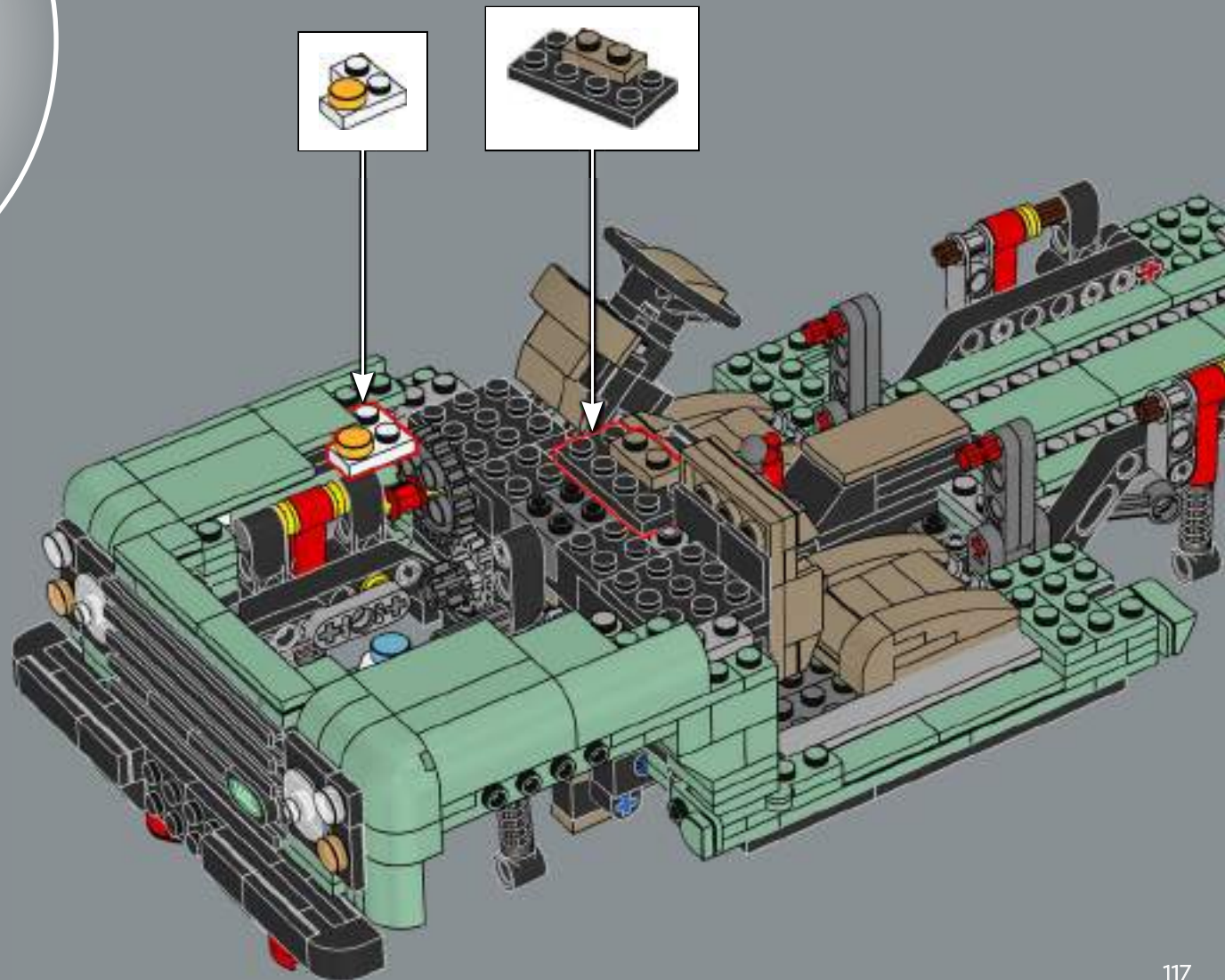


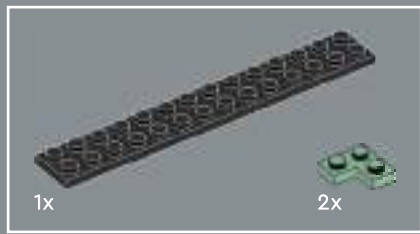
169



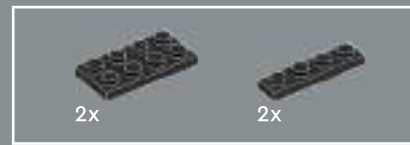
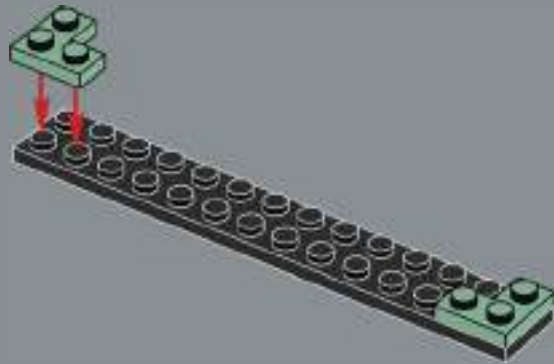


170

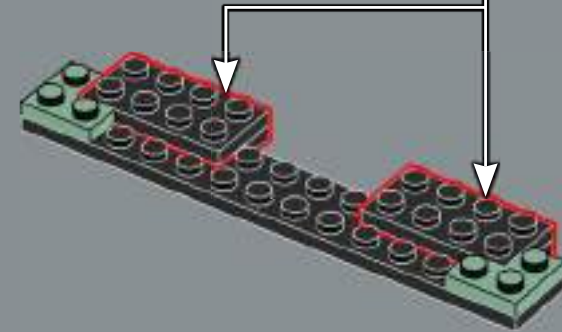
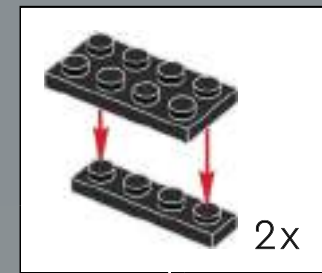




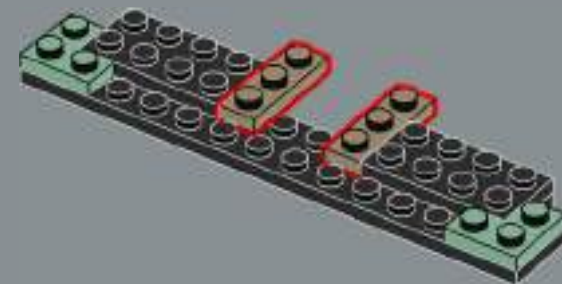
171

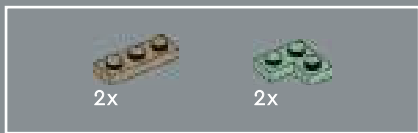


172

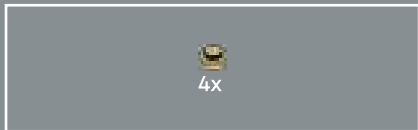
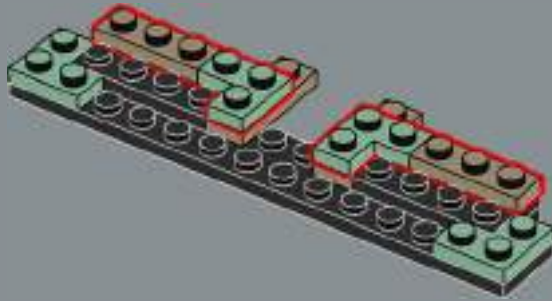


173

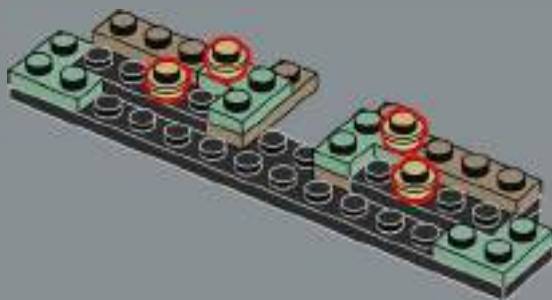




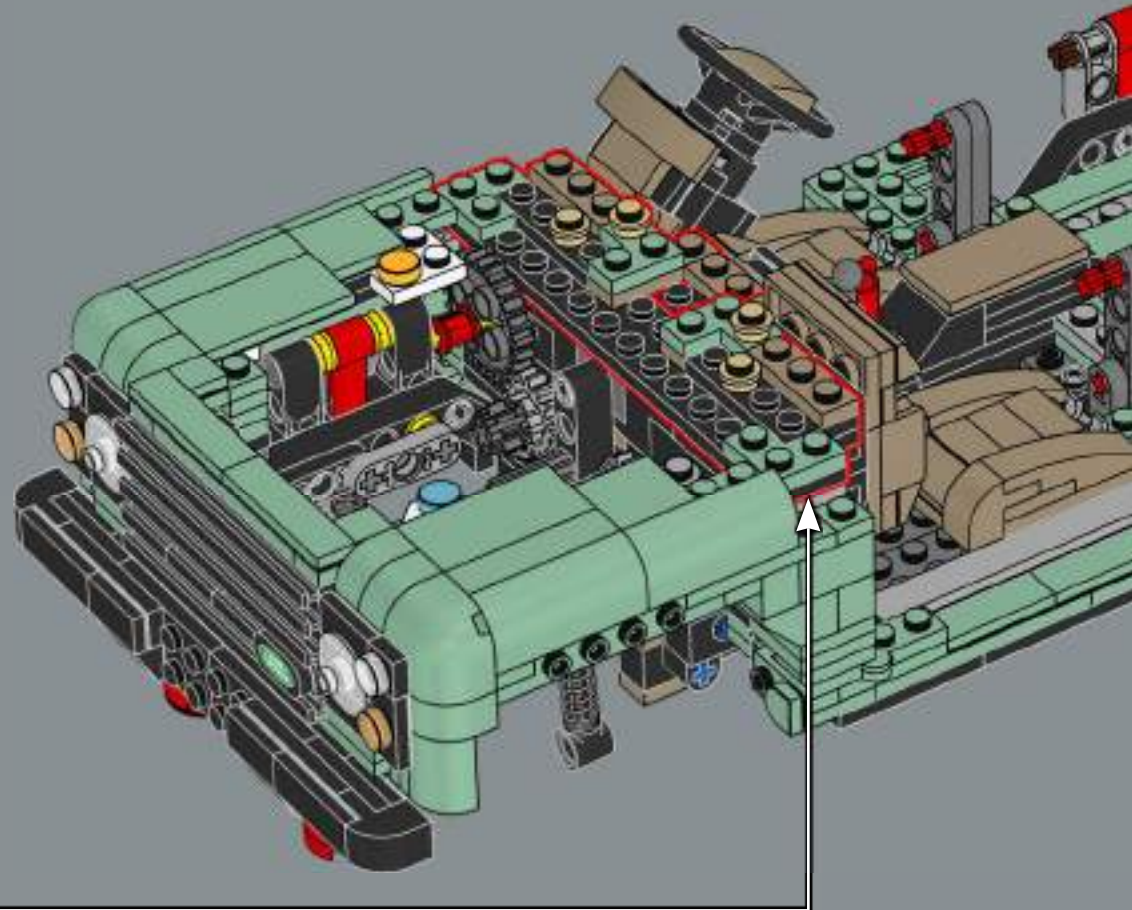
174

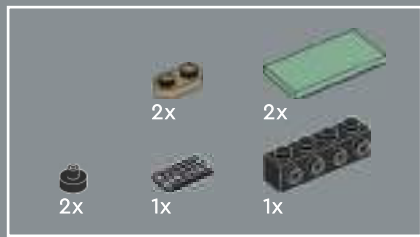


175

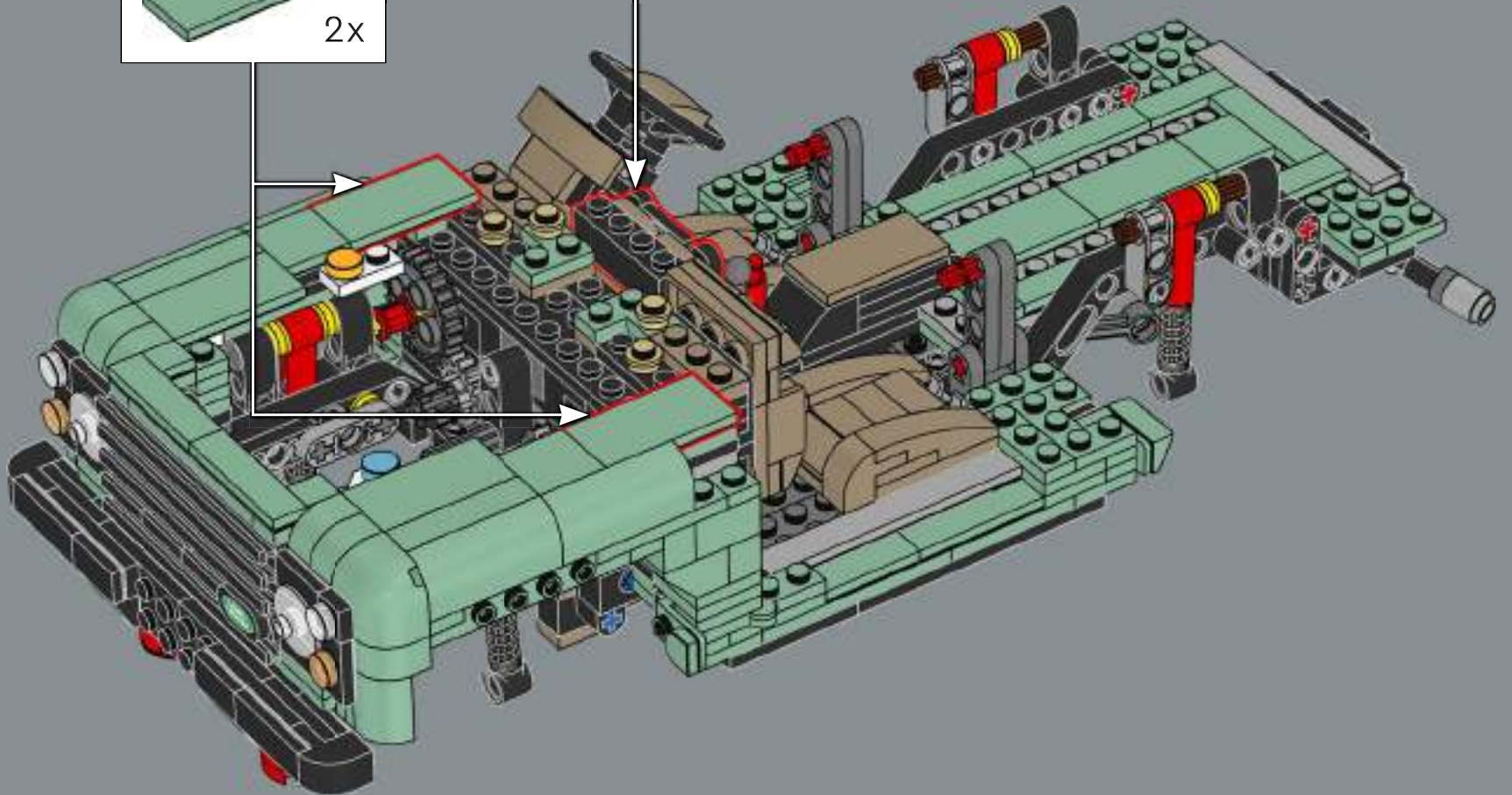


176



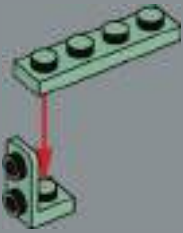


177

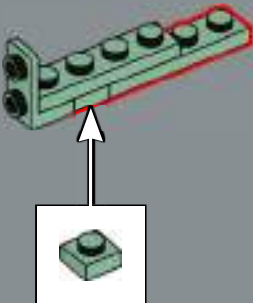




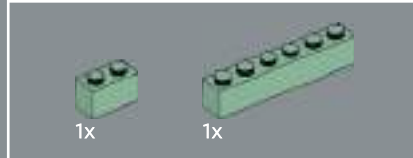
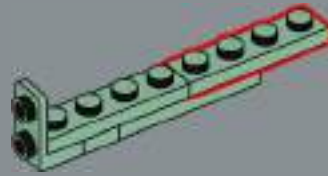
178



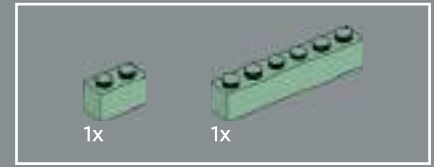
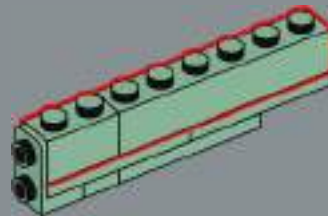
179



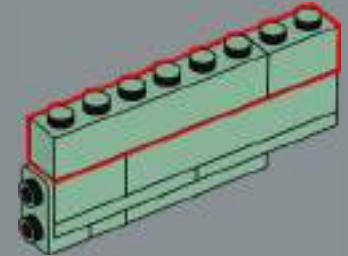
180

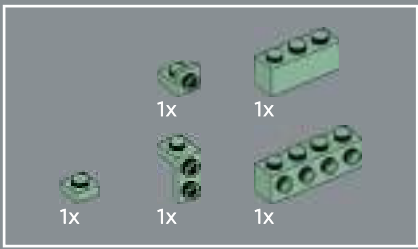


181

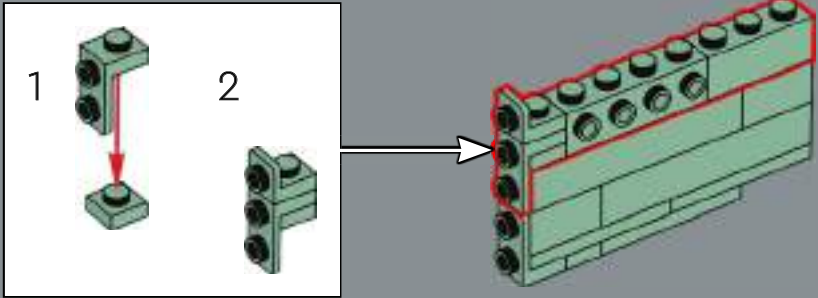


182

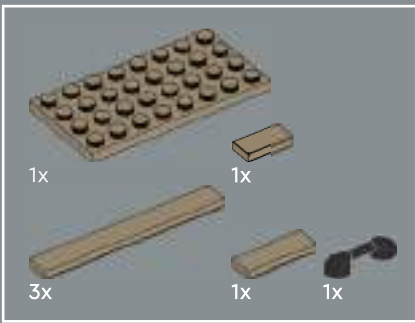
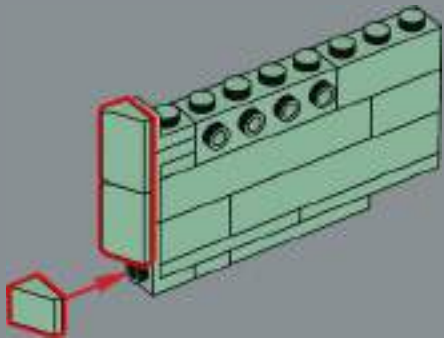




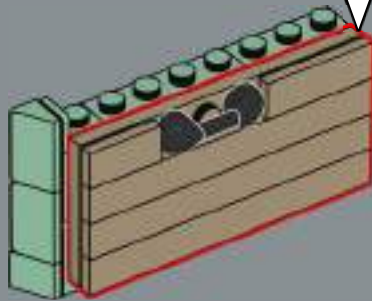
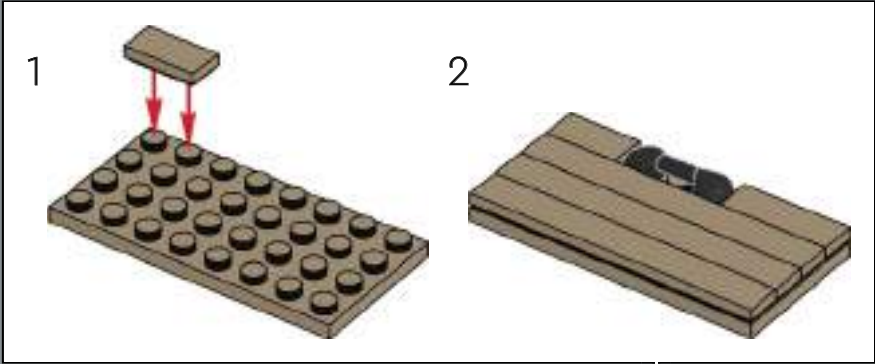
183

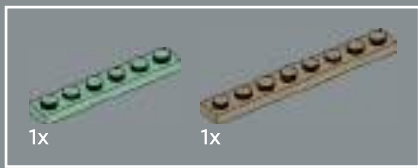


184

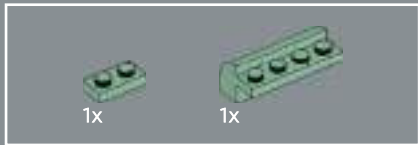
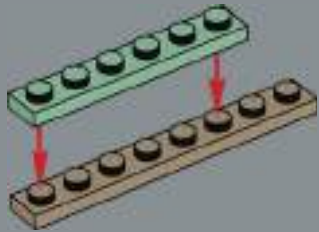


185

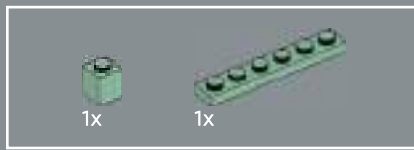
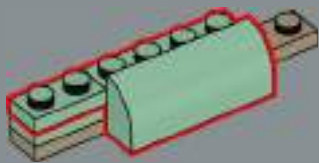




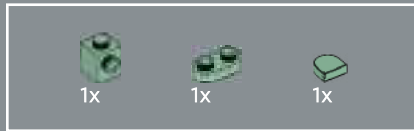
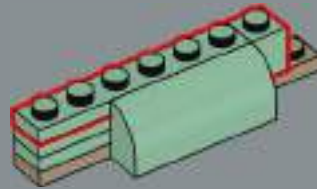
186



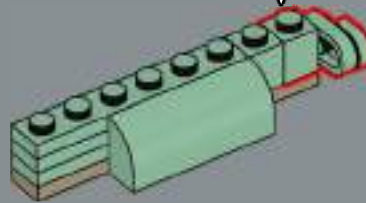
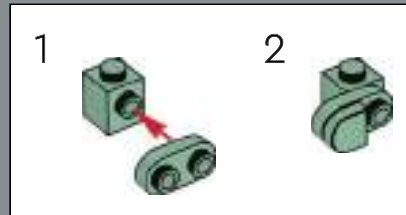
187



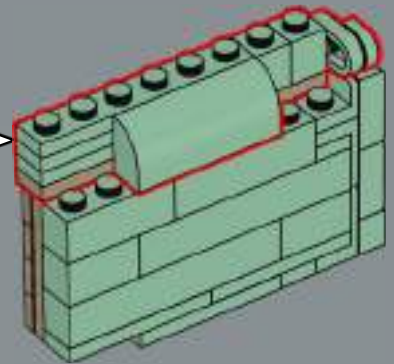
188

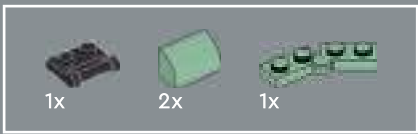


189

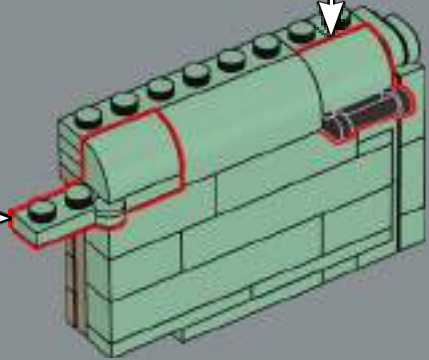
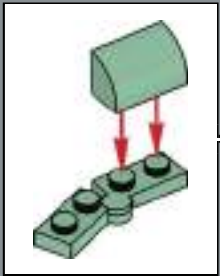
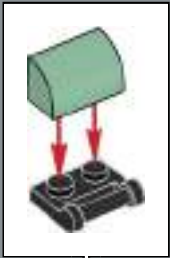


190

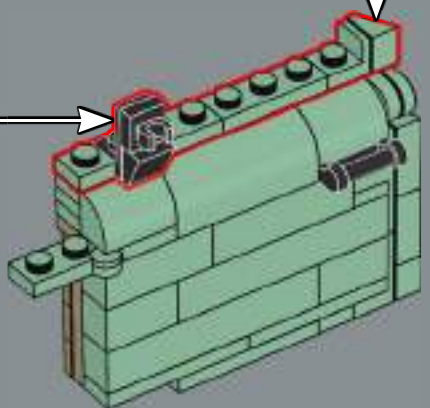
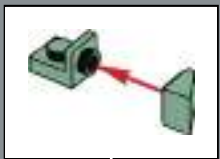




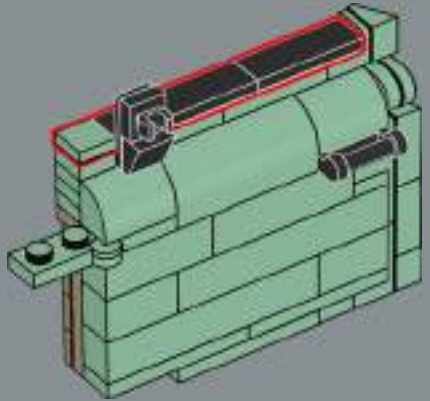
191



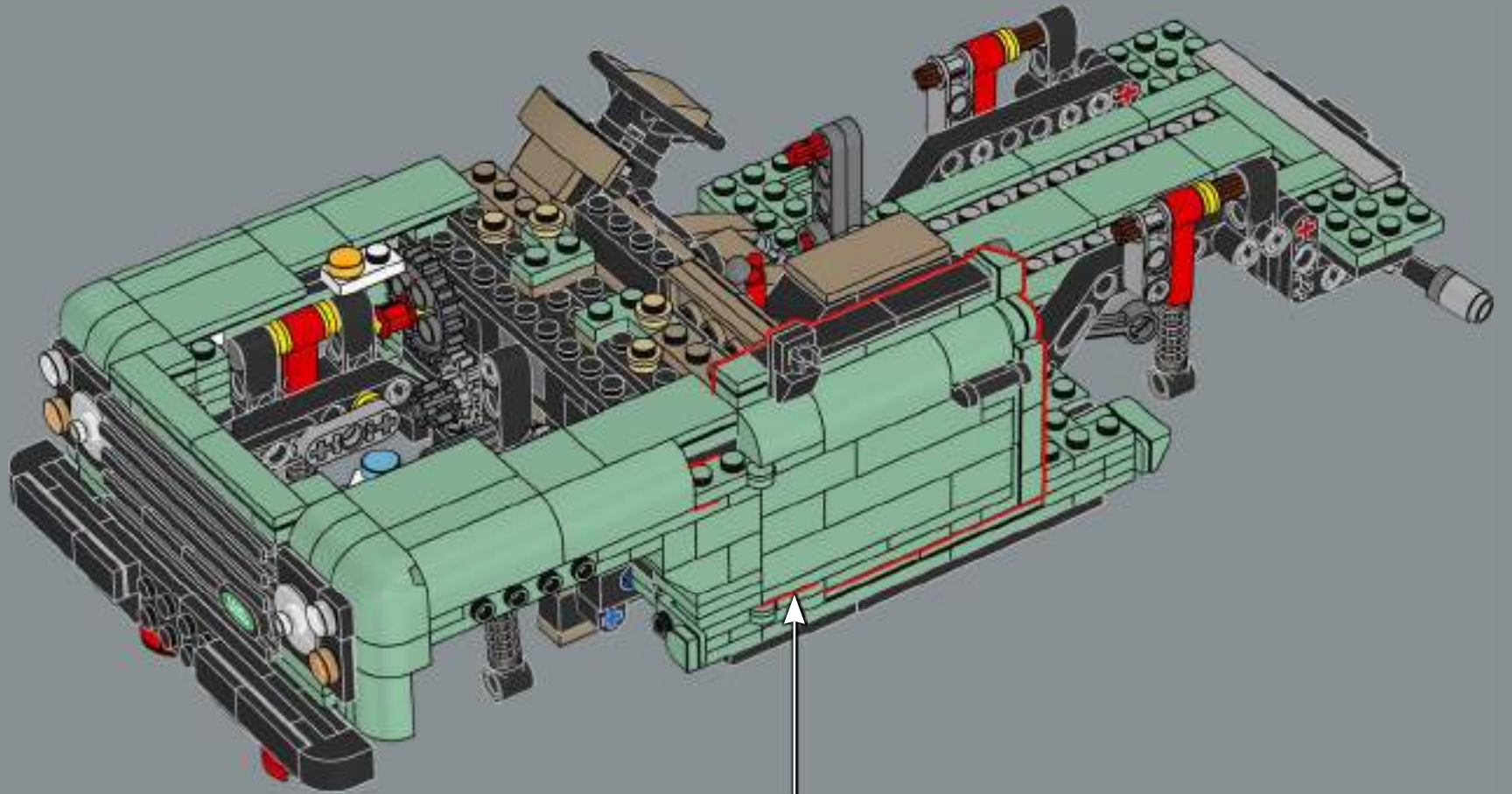
192



193

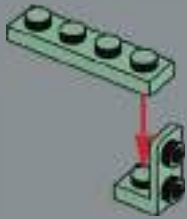


194

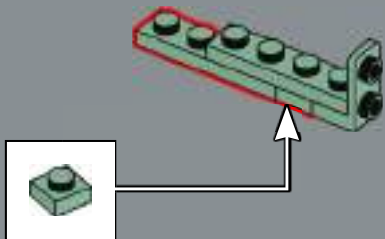




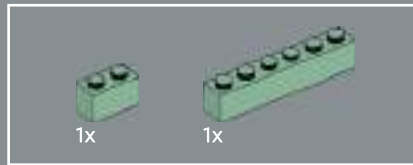
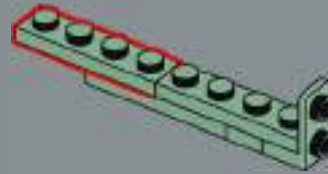
195



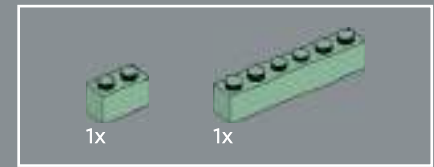
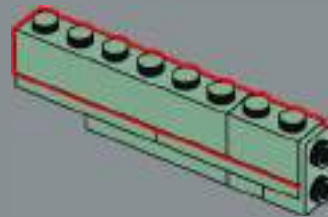
196



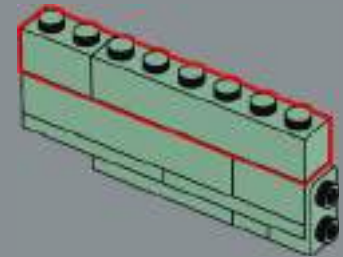
197

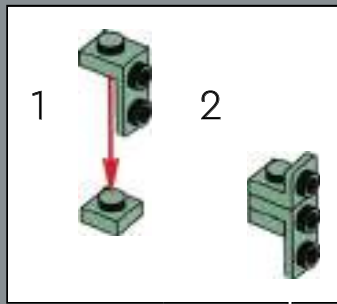
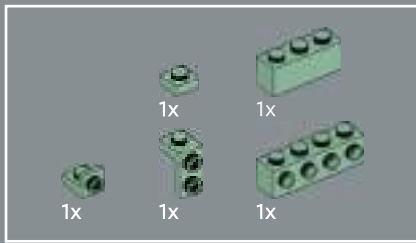


198

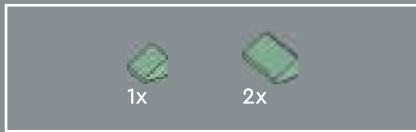
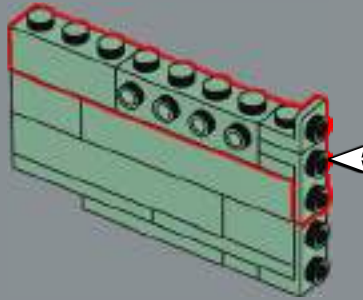


199

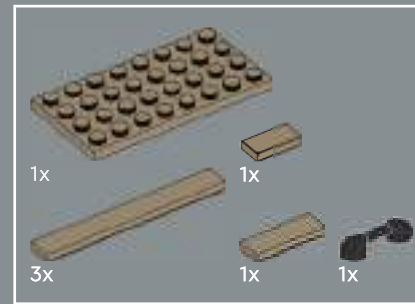
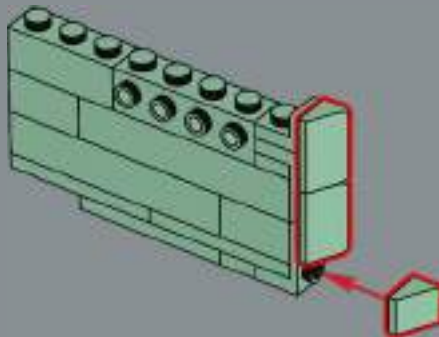




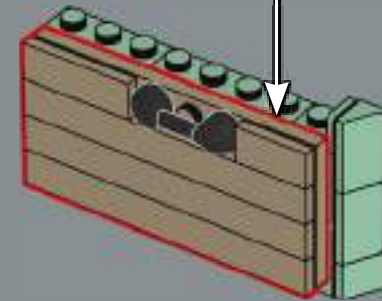
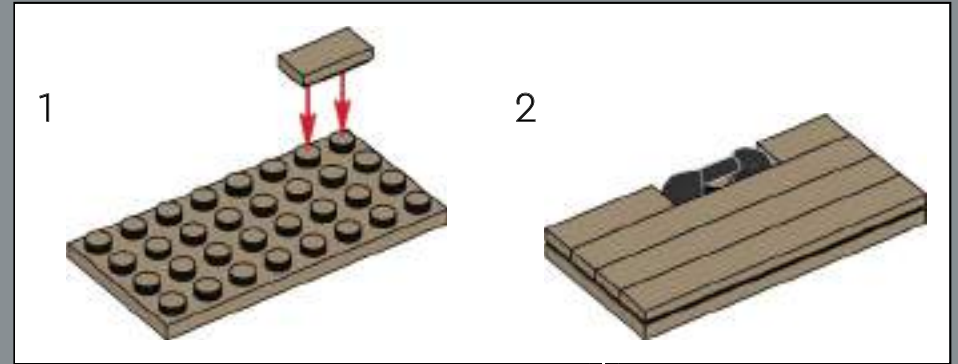
200

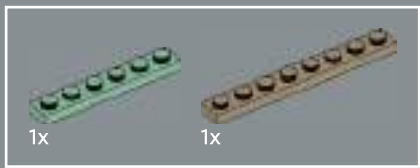


201

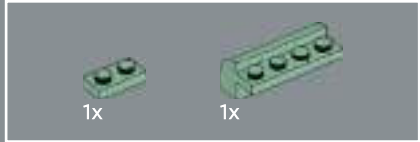
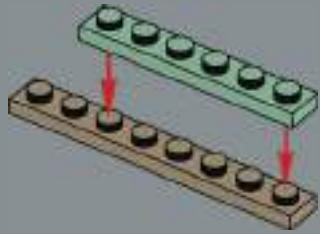


202

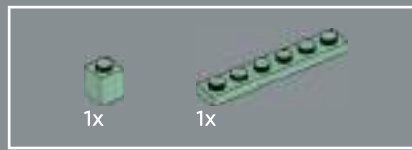
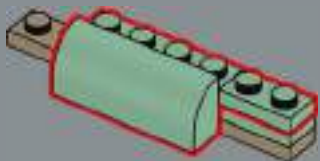




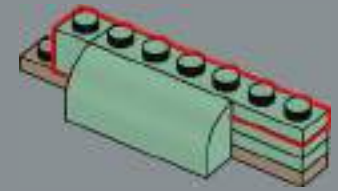
203



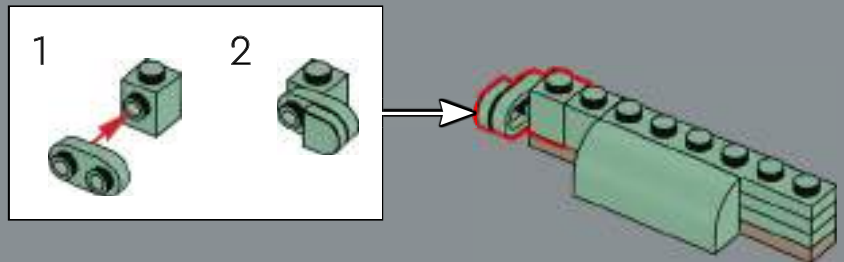
204



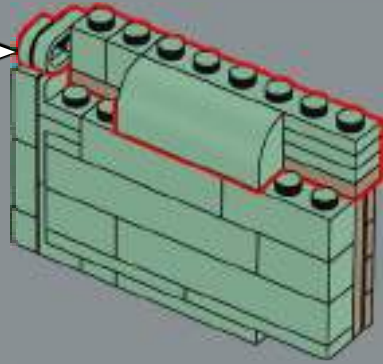
205



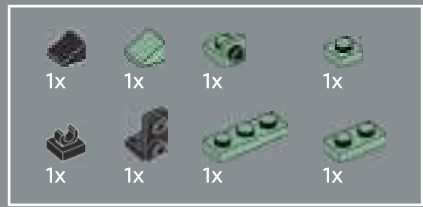
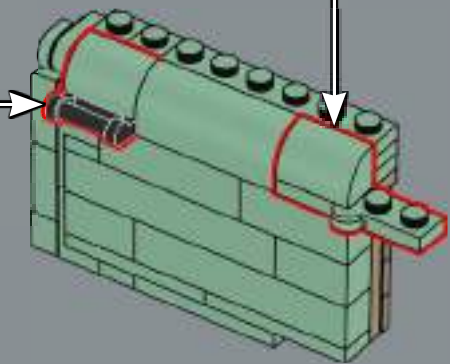
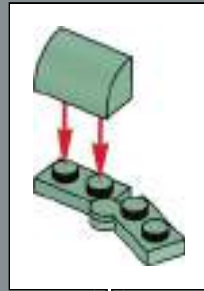
206



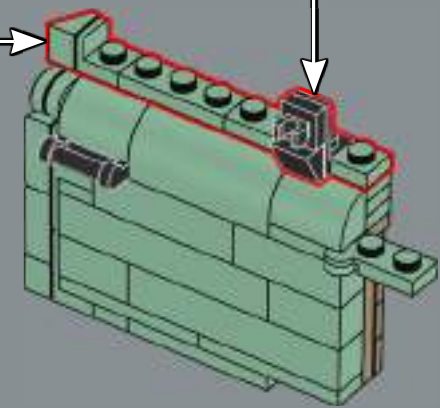
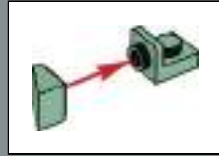
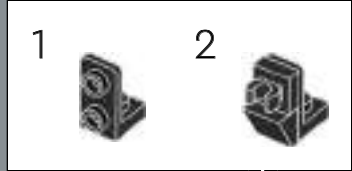
207



208

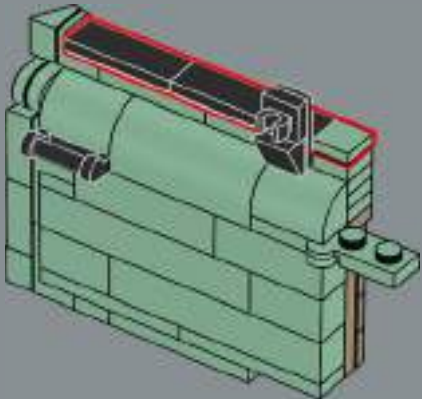


209

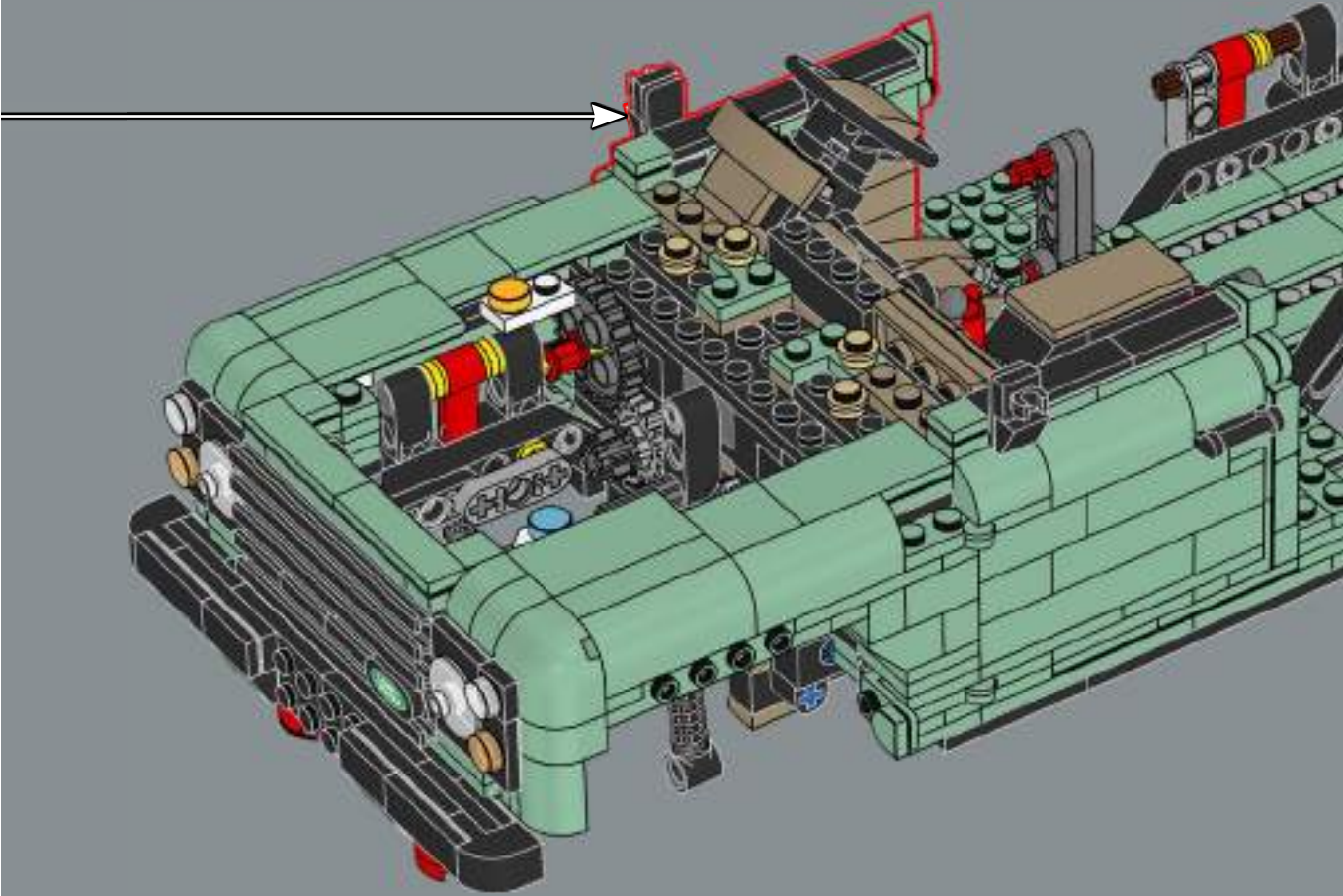


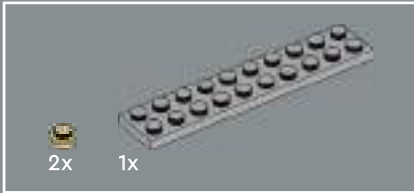


210

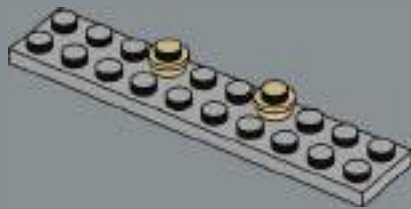


211

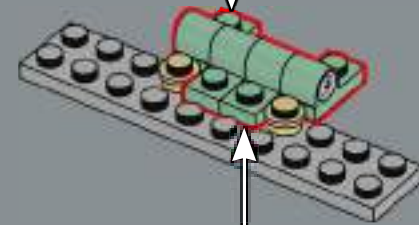
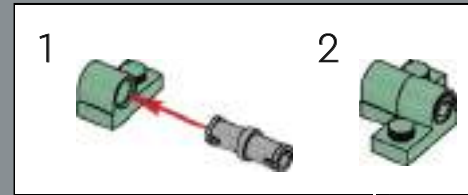


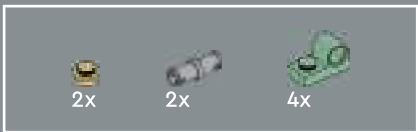


212

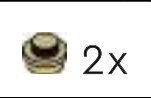
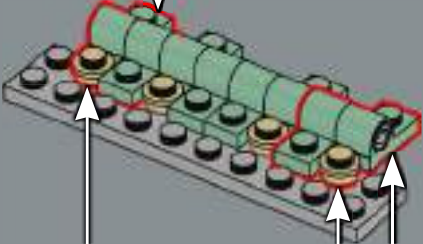
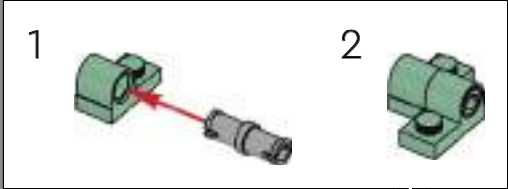


213

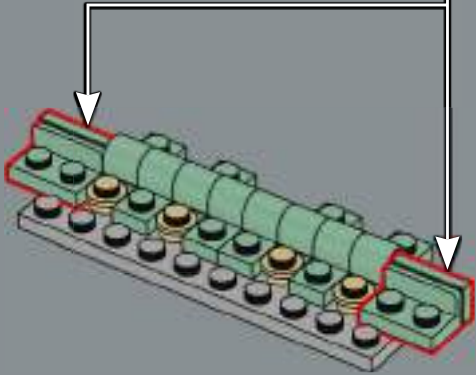
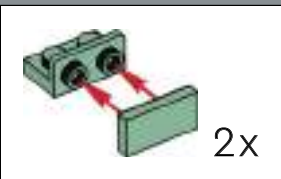




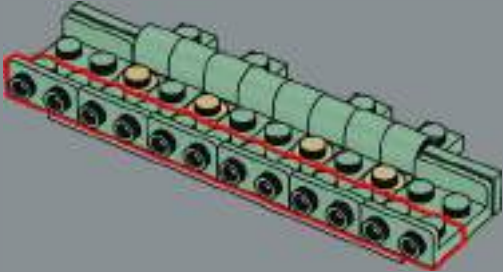
214

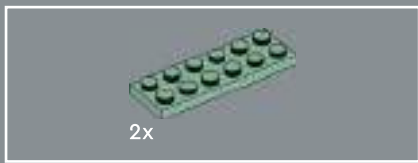


215

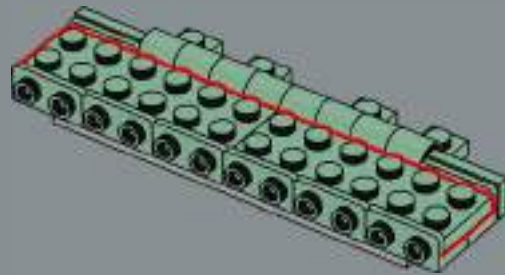


216

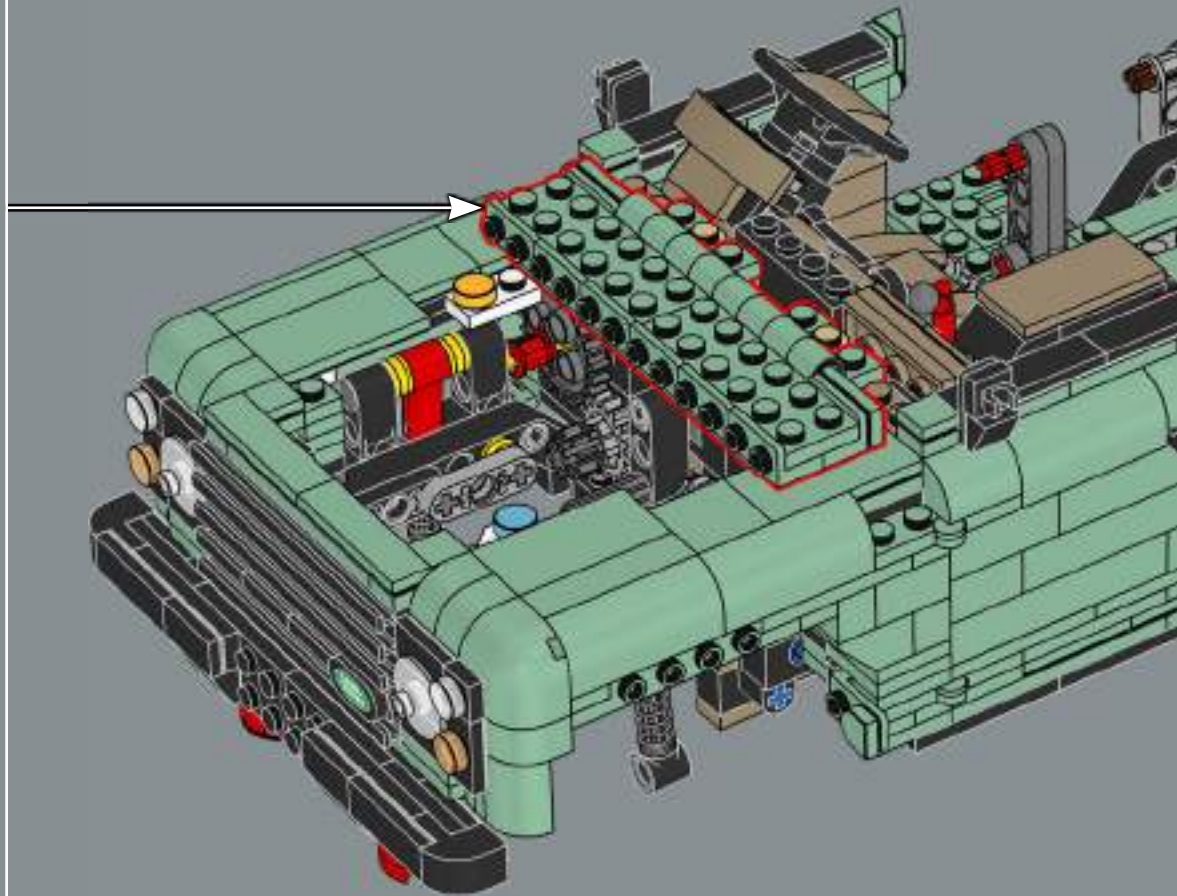




217

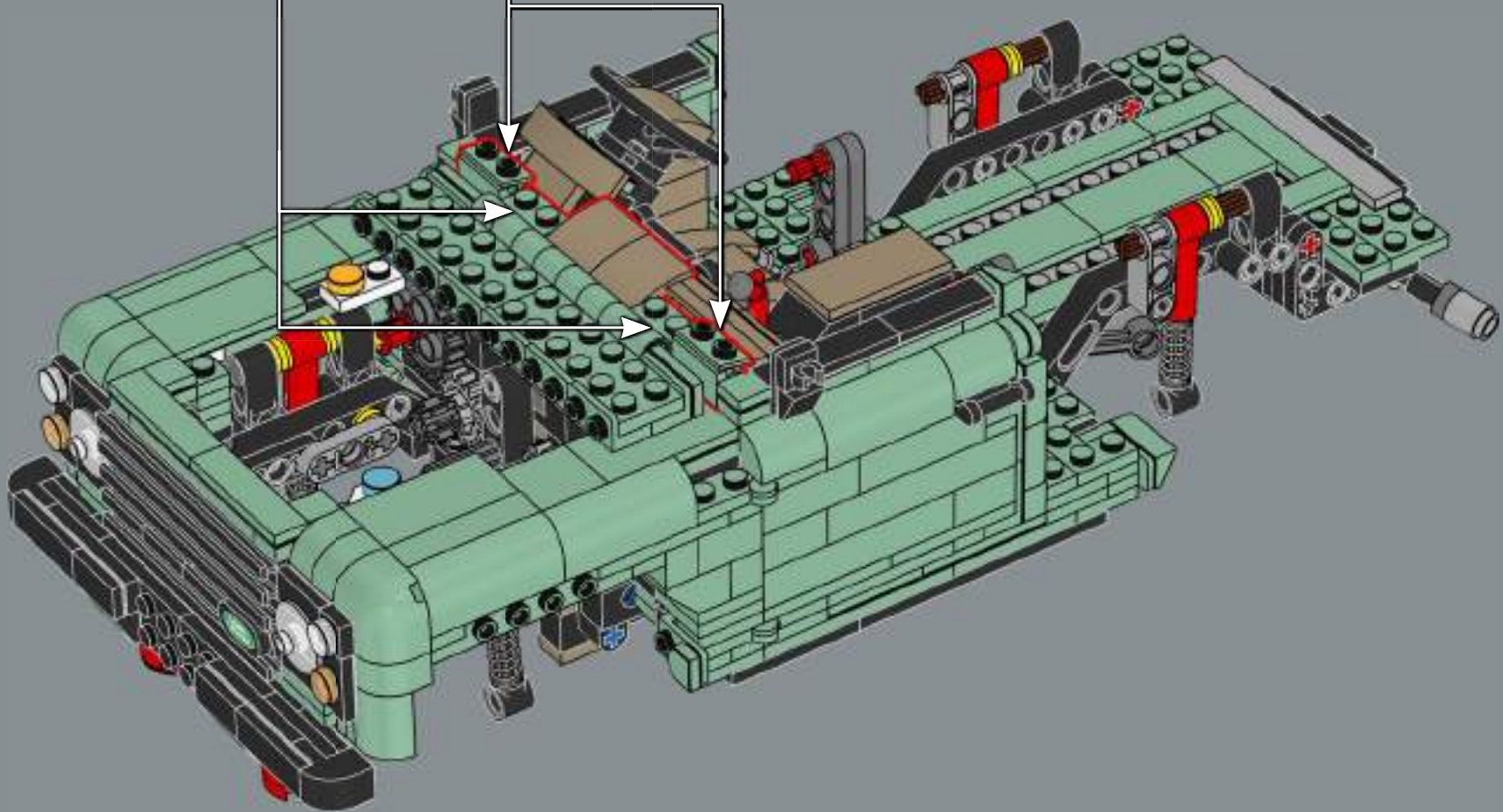
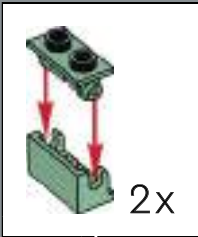


218





219





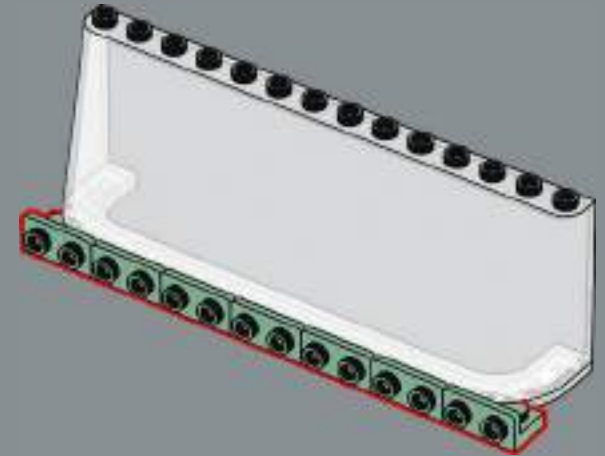
1x

220



7x

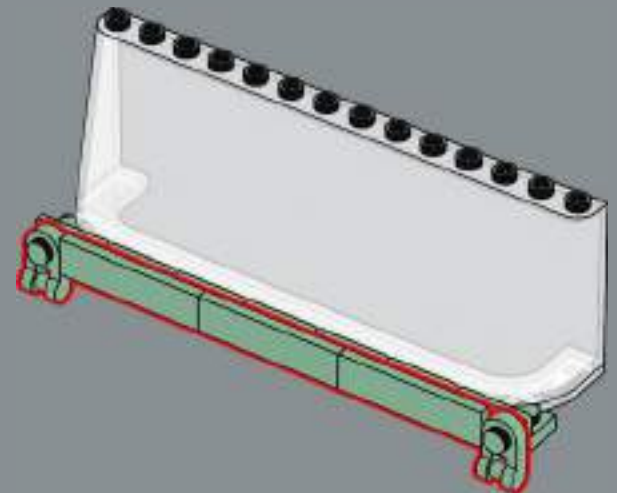
221



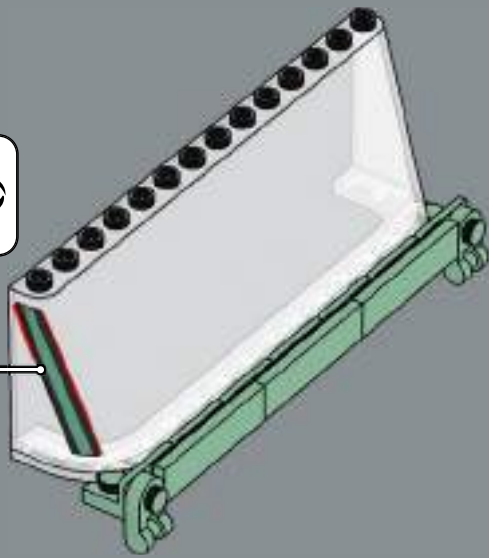
3x

2x

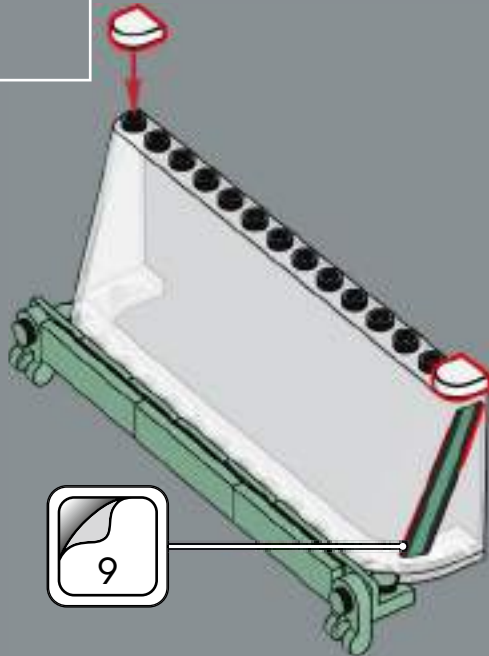
222



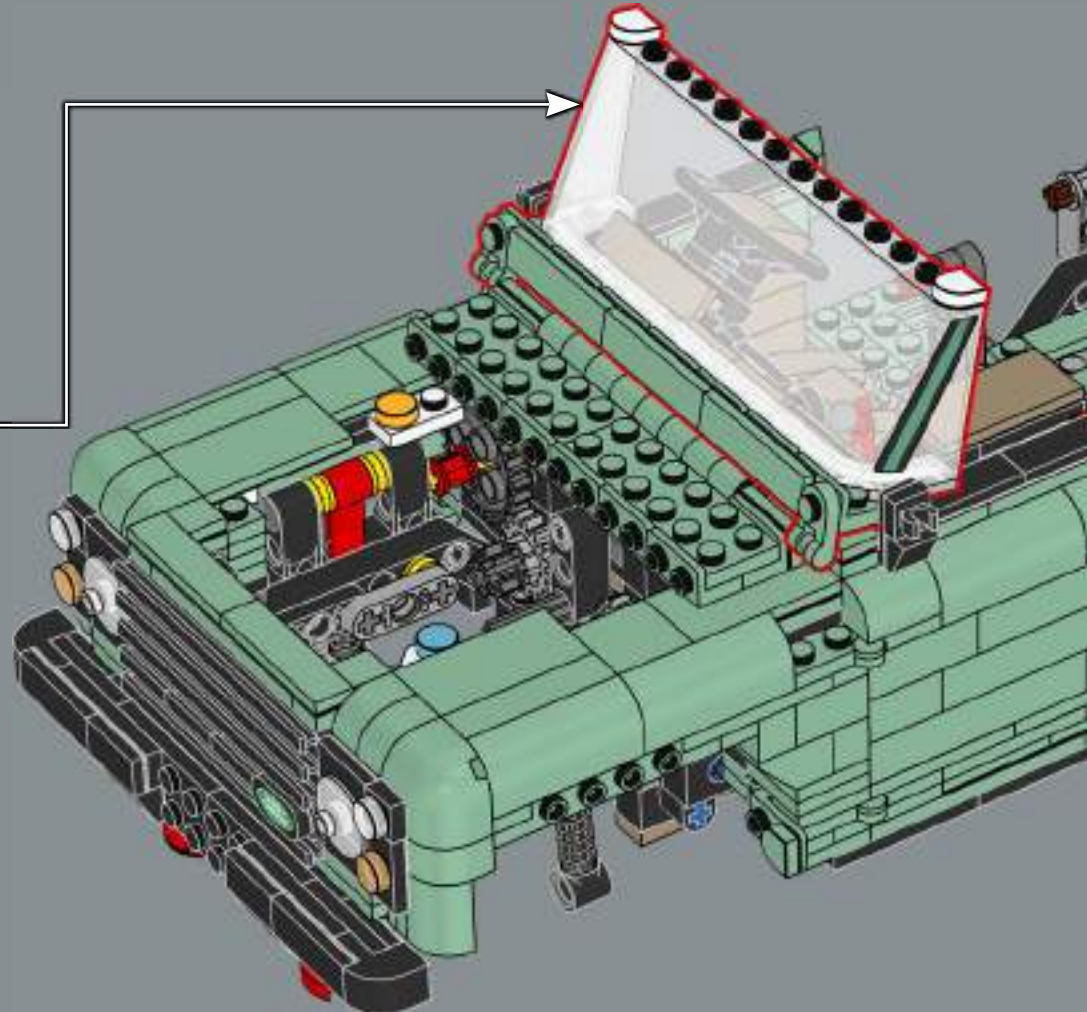
223



224

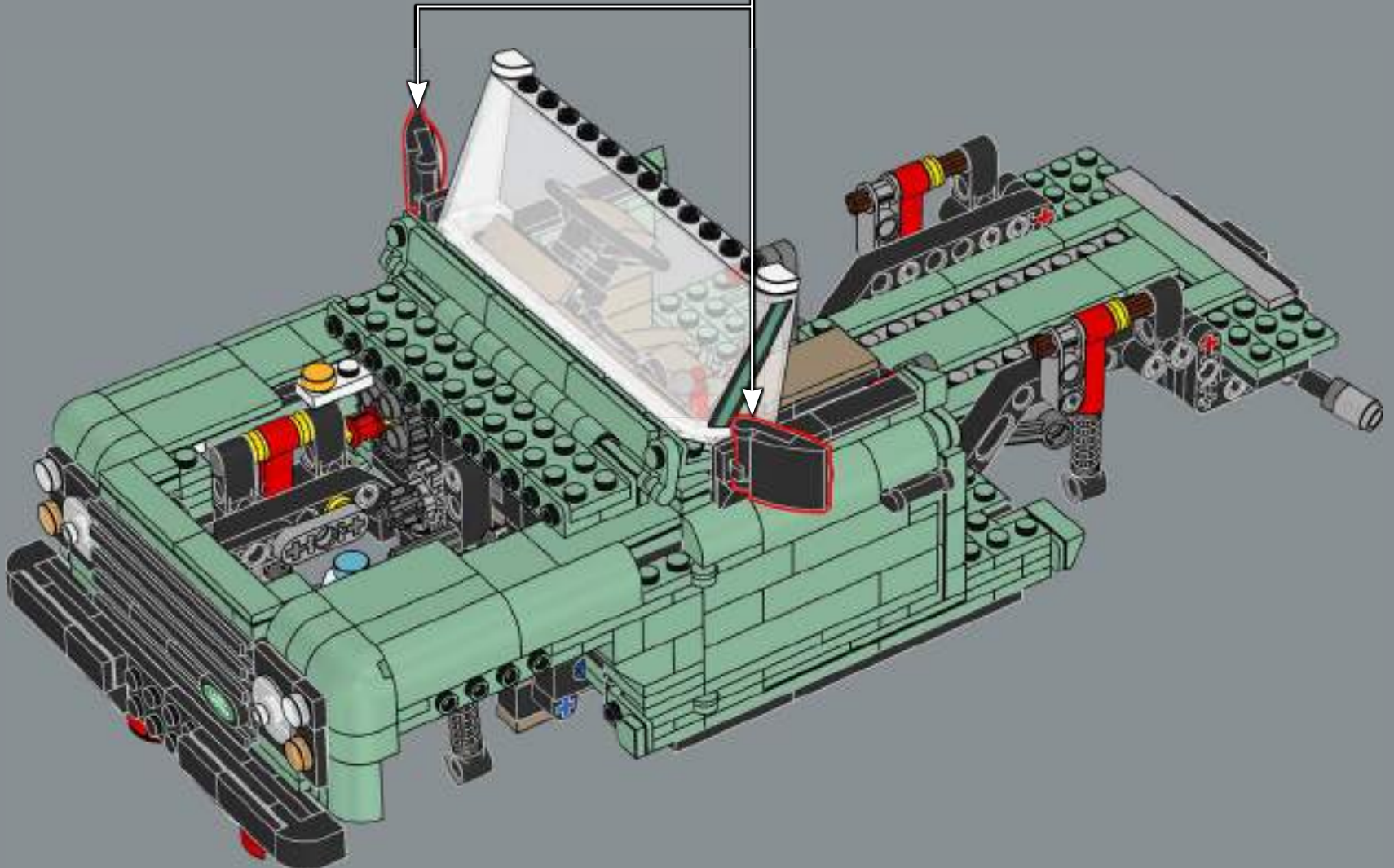


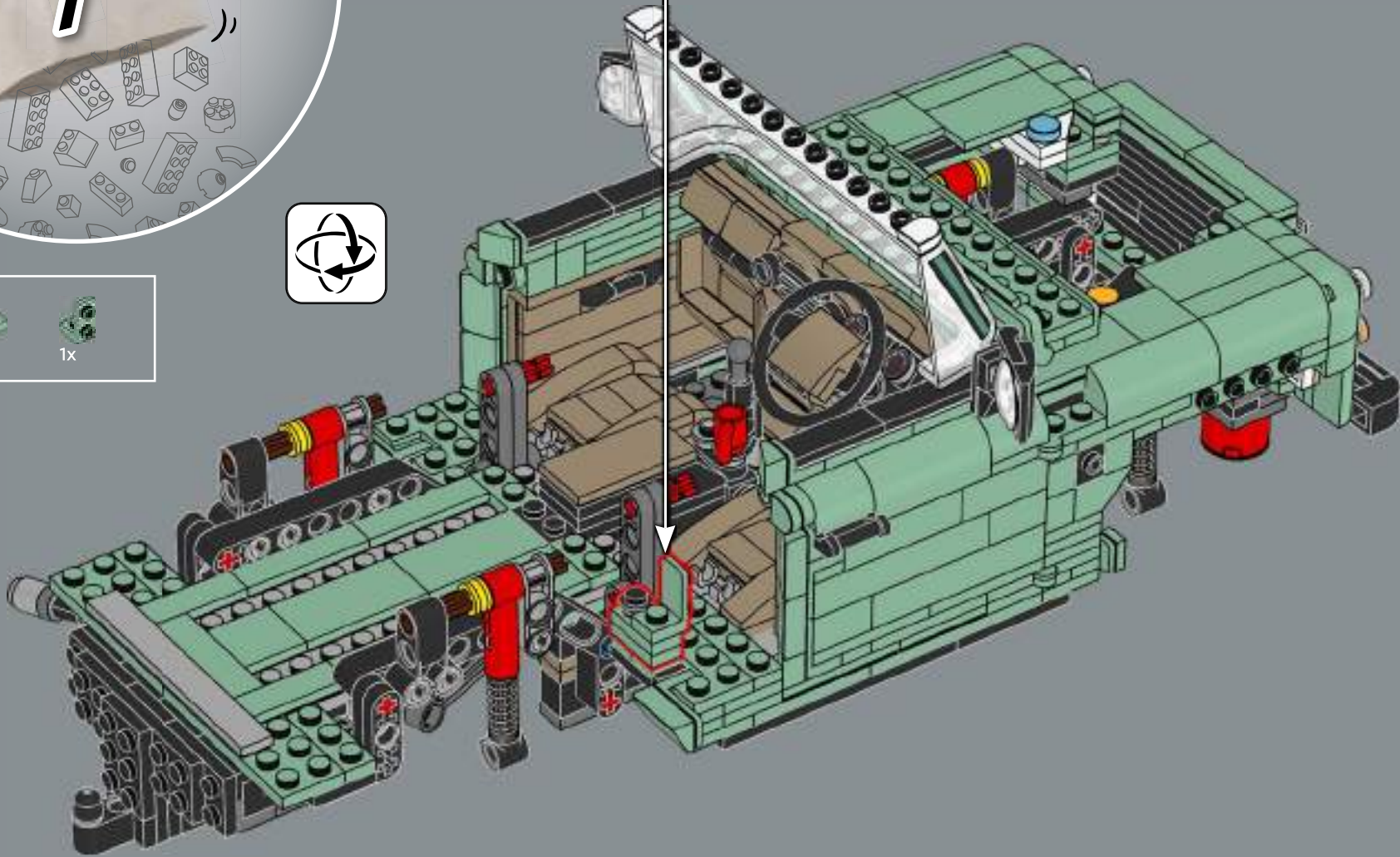
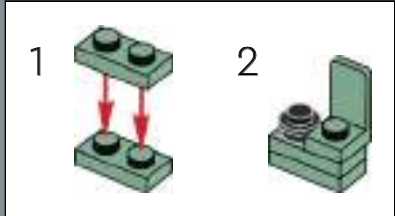
225





226

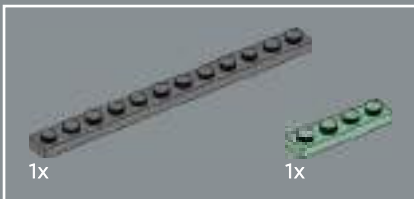
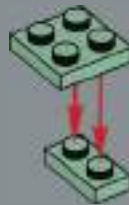




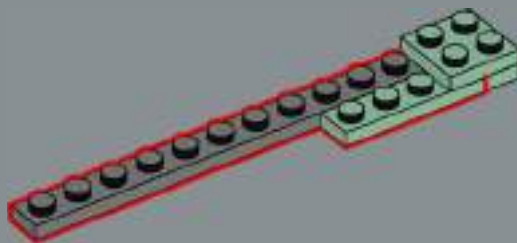
227



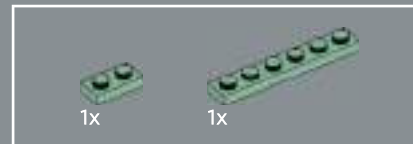
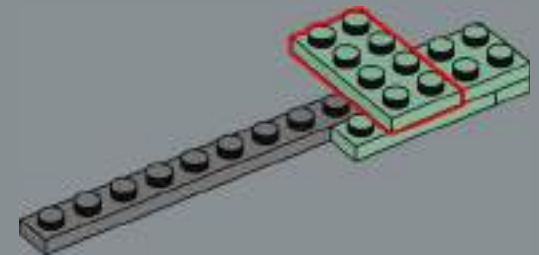
228



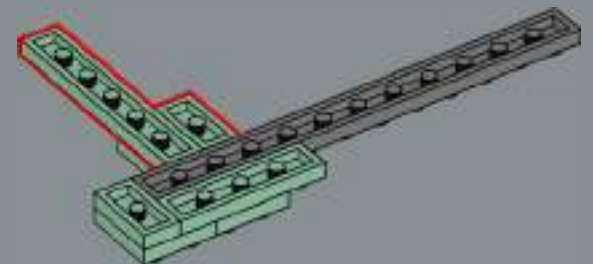
229

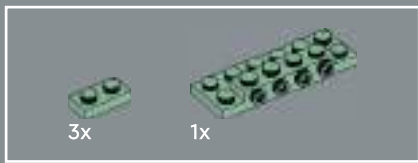


230

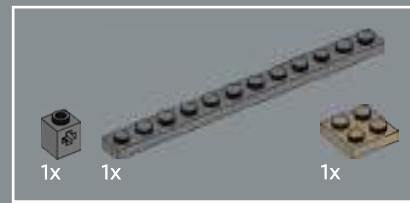
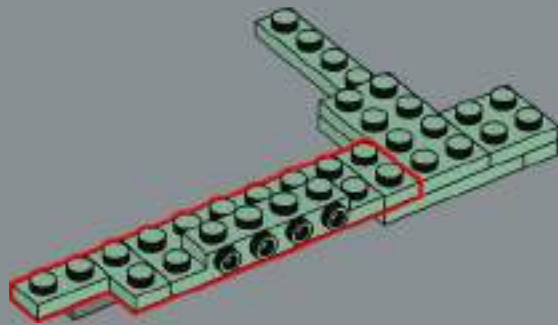


231

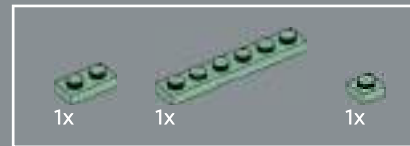
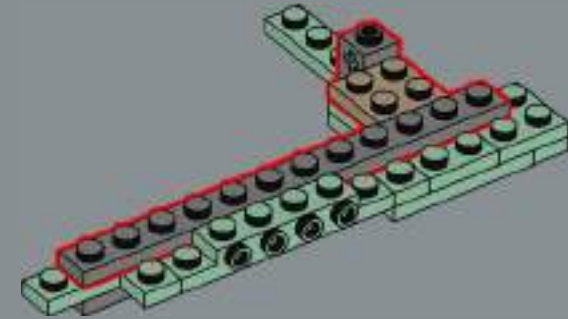




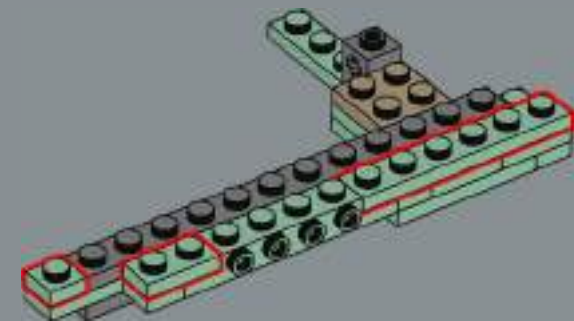
232

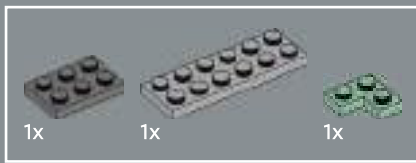


233

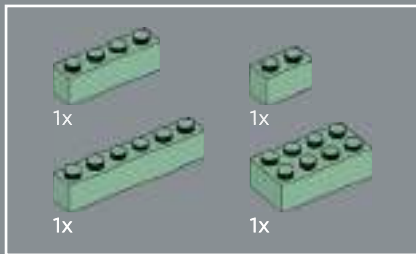
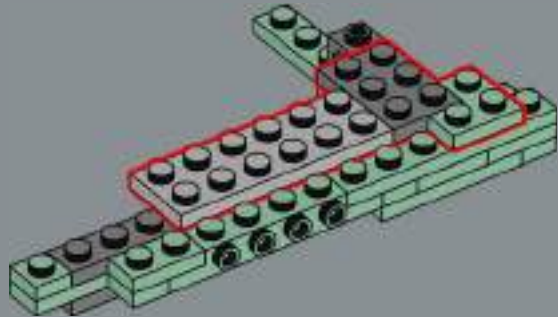


234

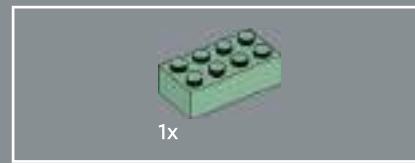
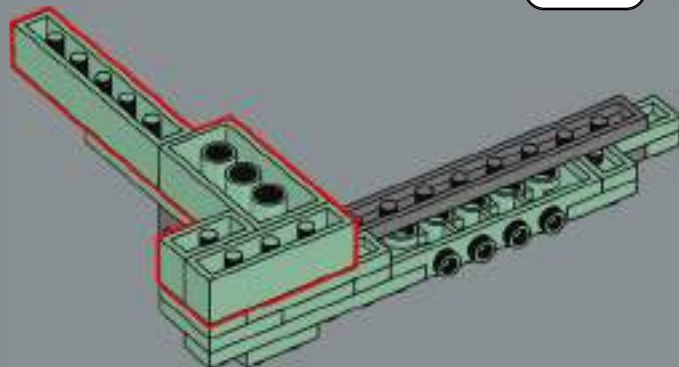




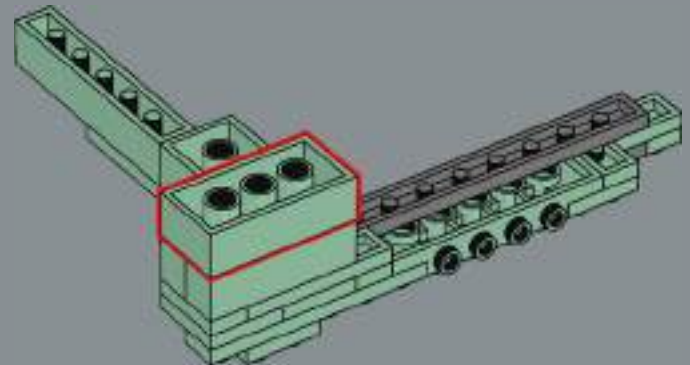
235

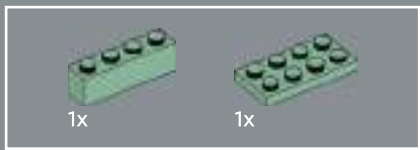


236

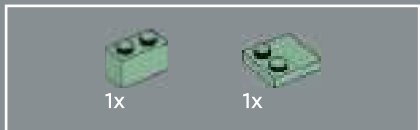
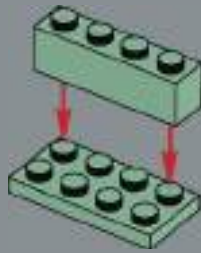


237

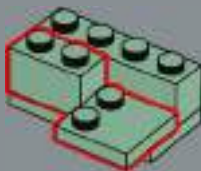




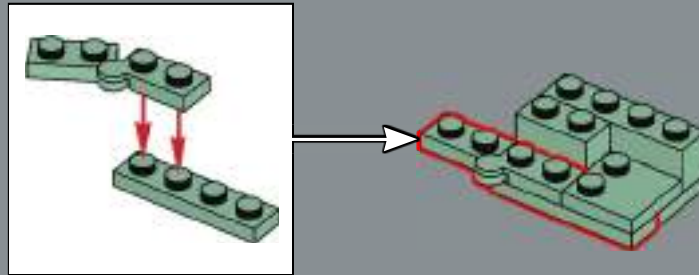
238



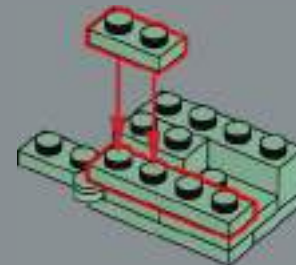
239



240

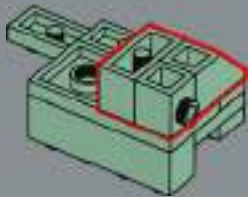


241

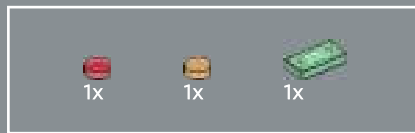
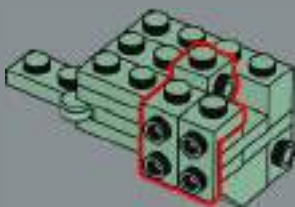




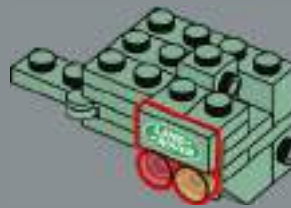
242



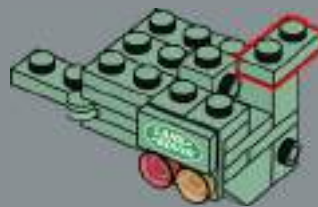
243



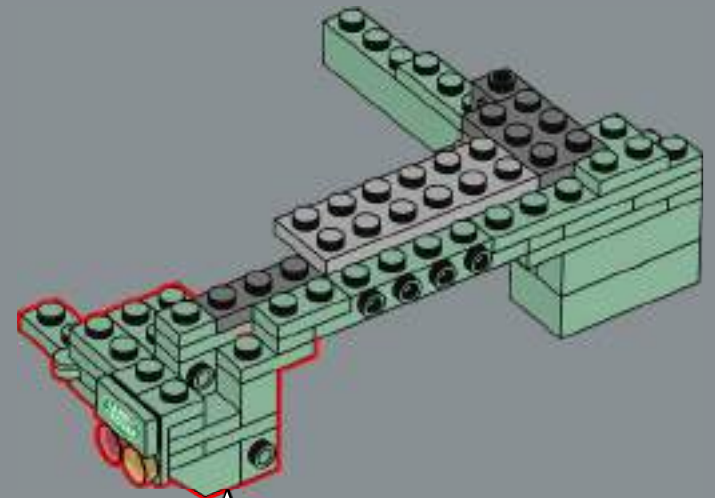
244



245

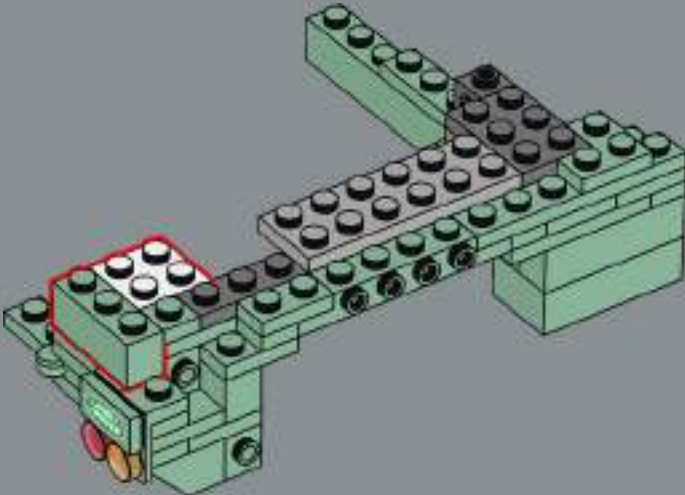


246

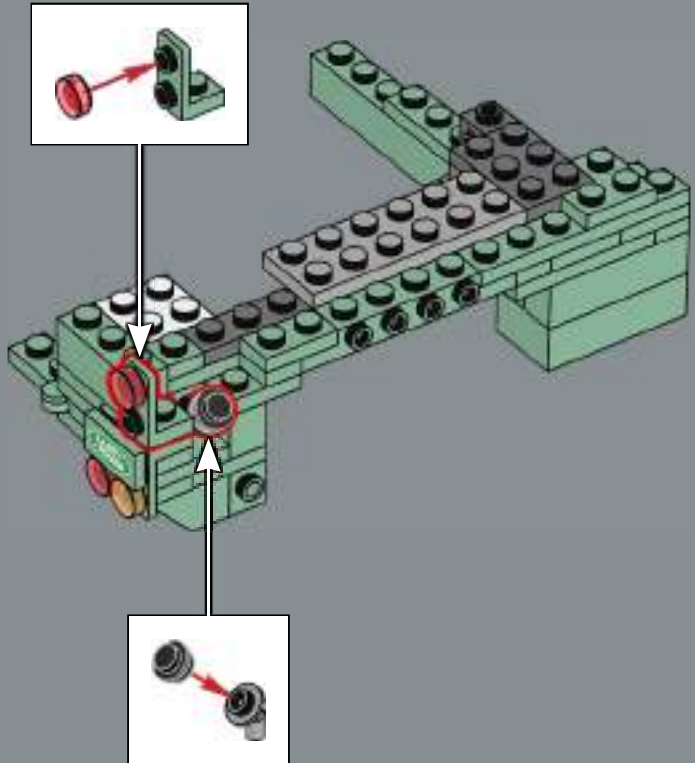




247

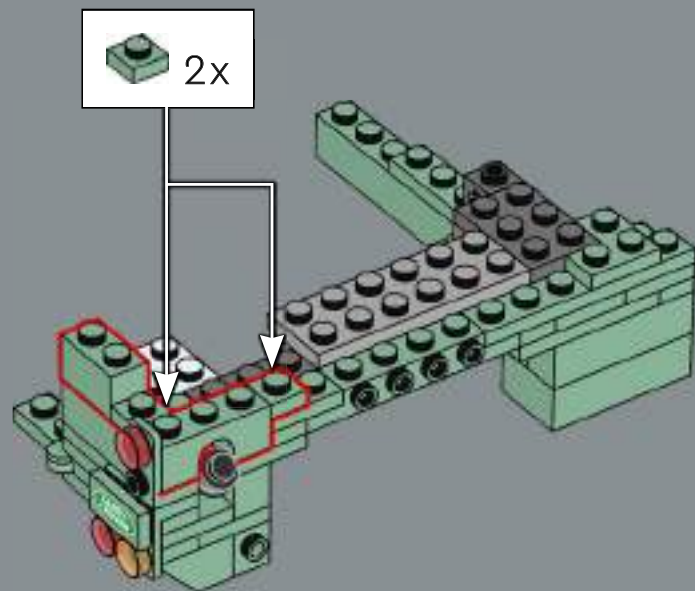


248

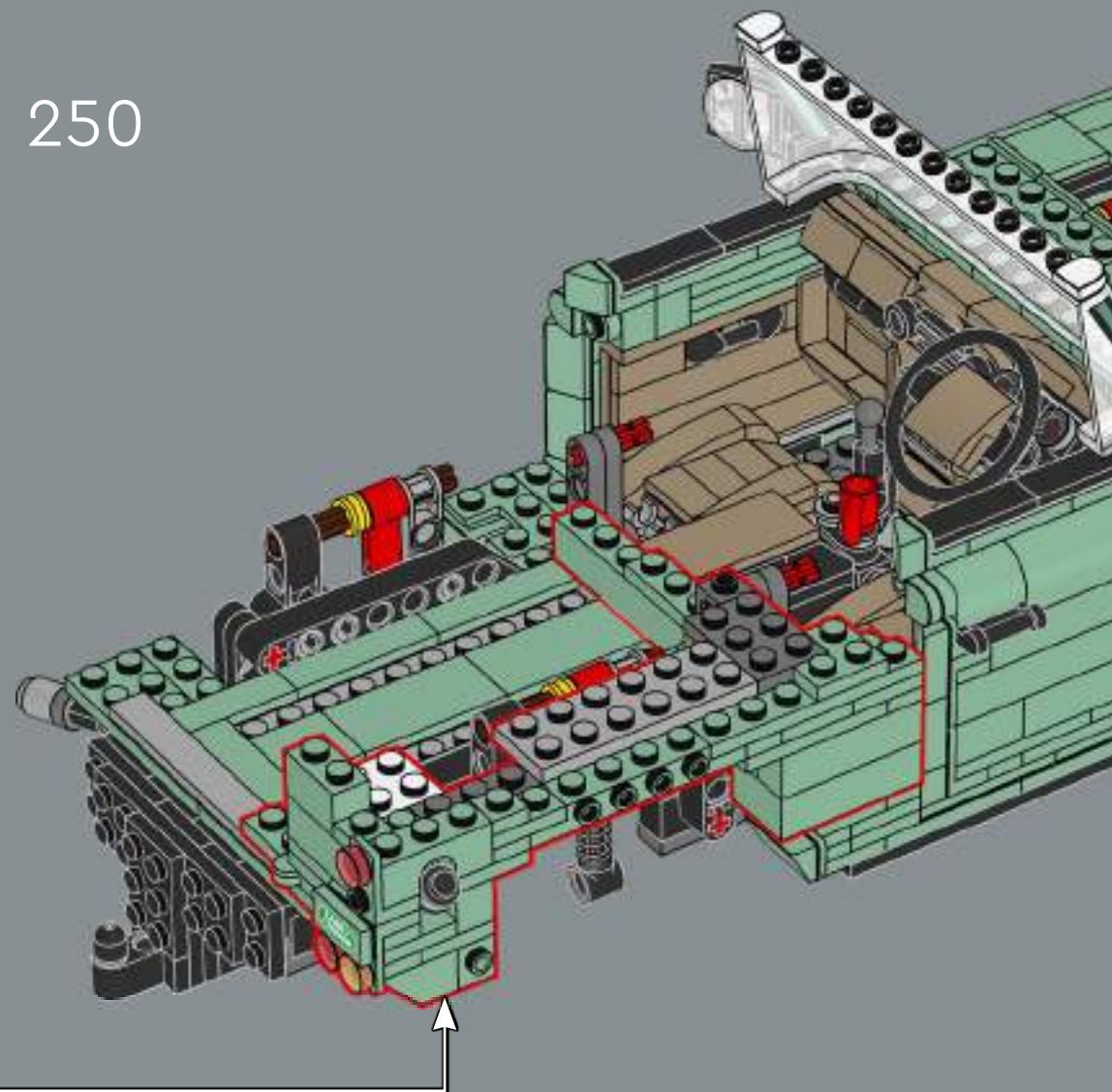


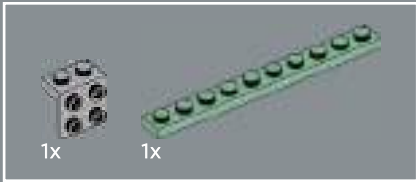


249

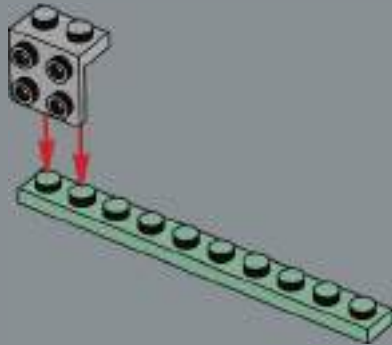


250

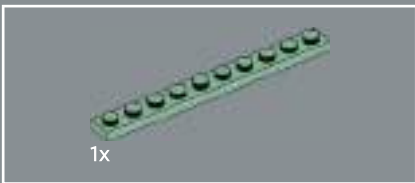
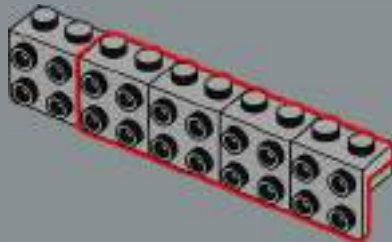




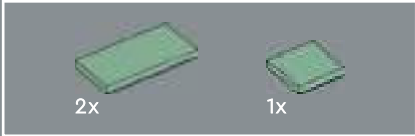
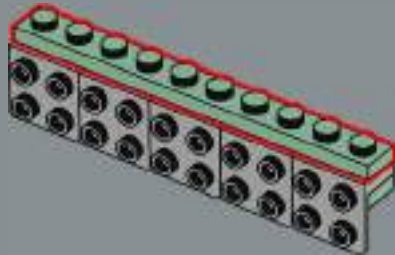
251



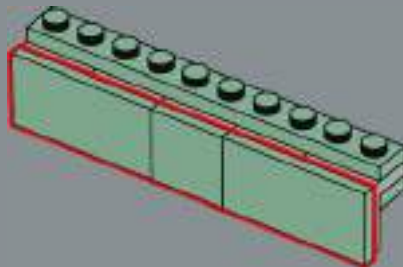
252



253

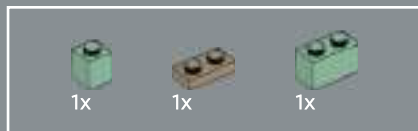
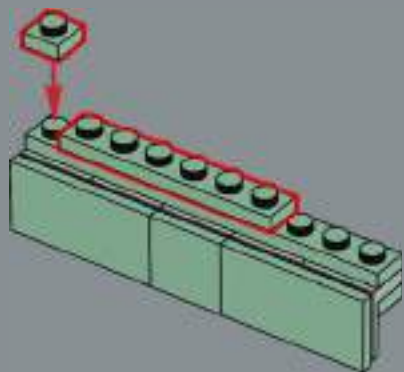


254

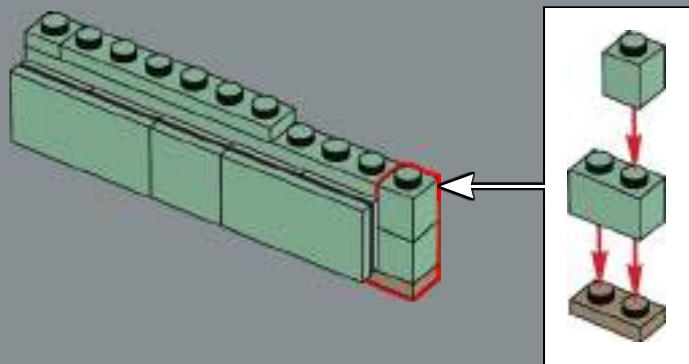




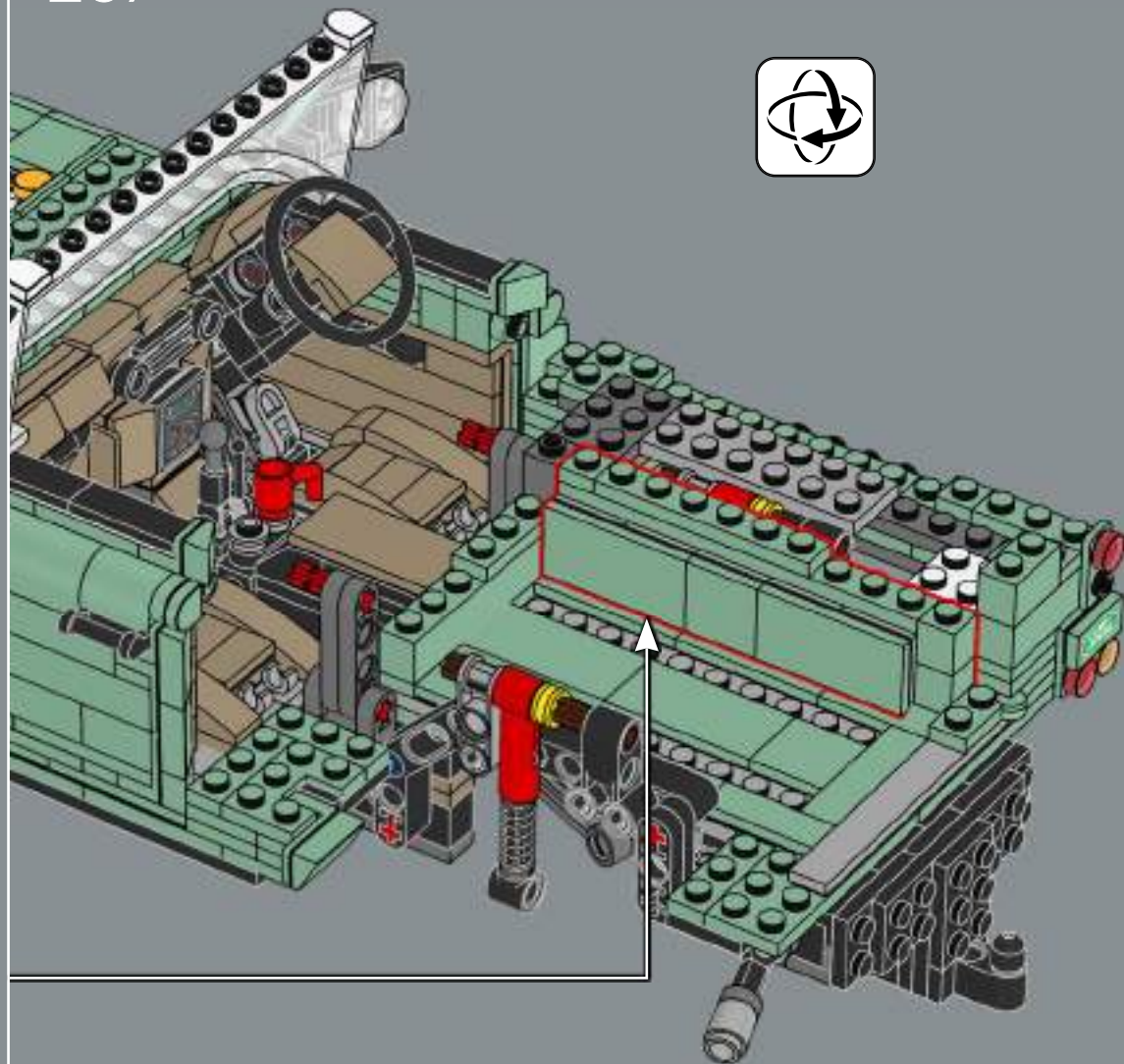
255

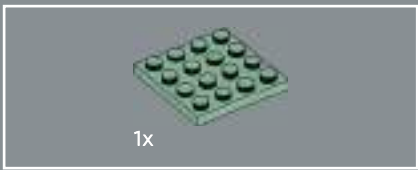


256

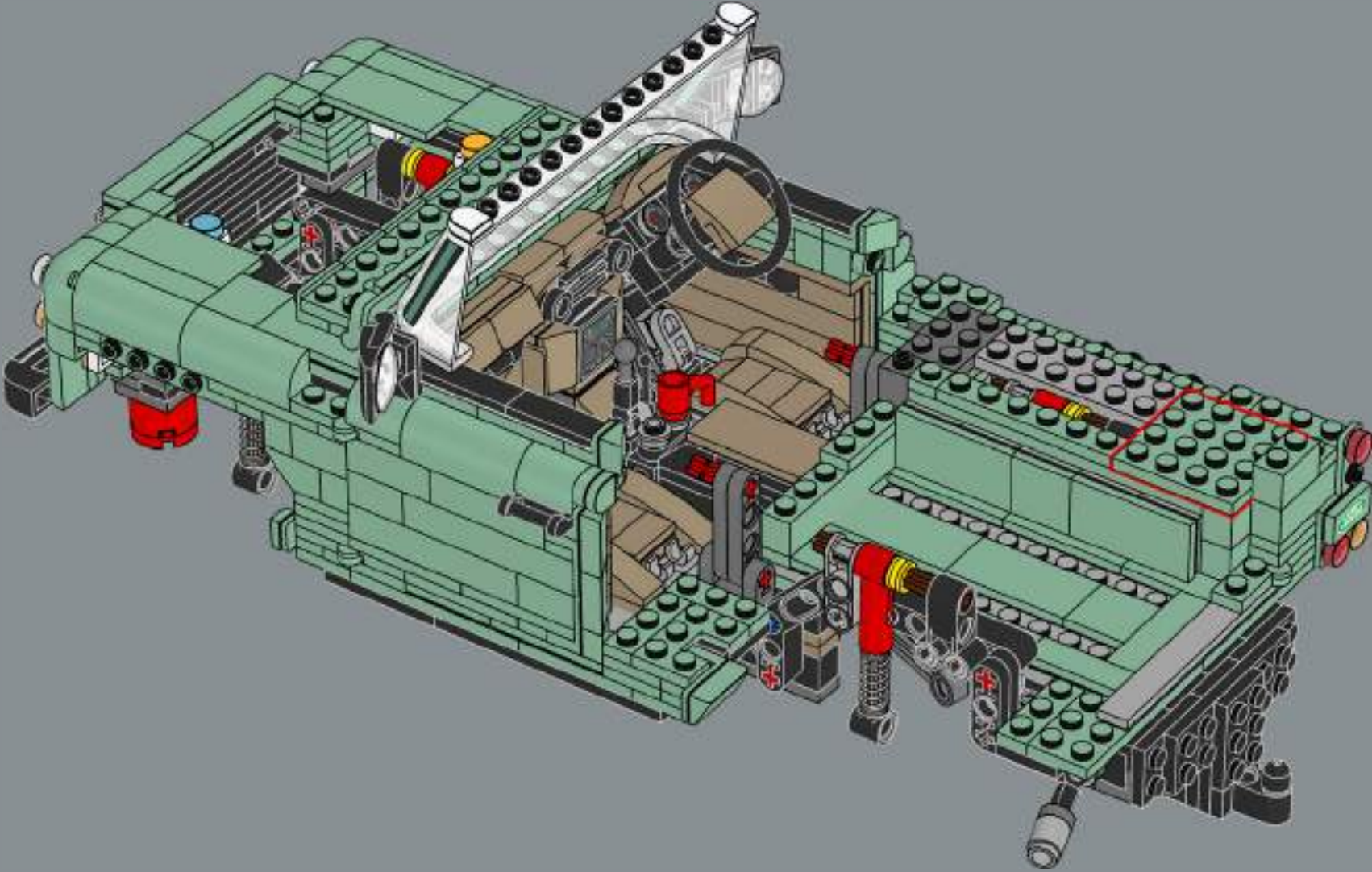


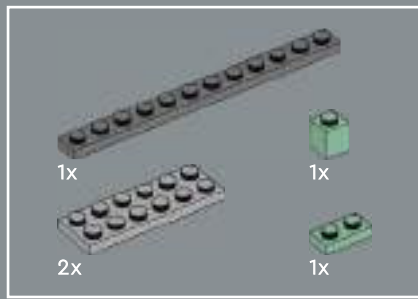
257



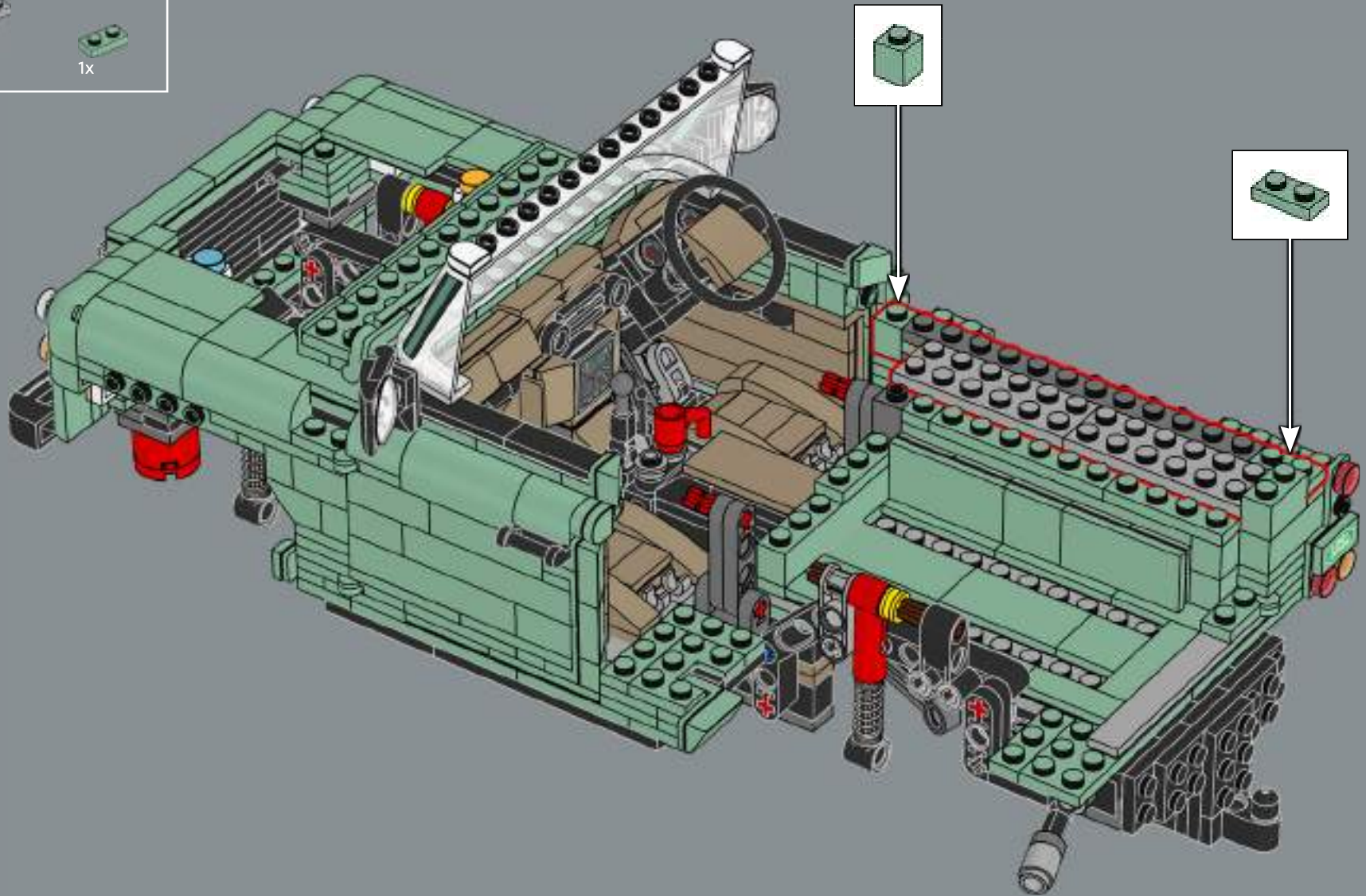


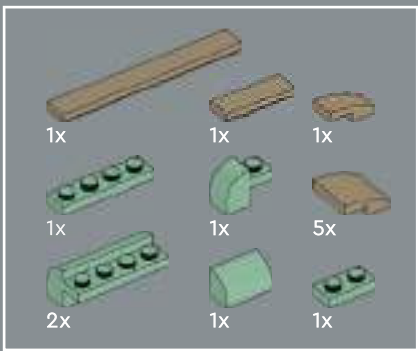
258



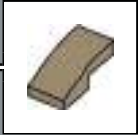
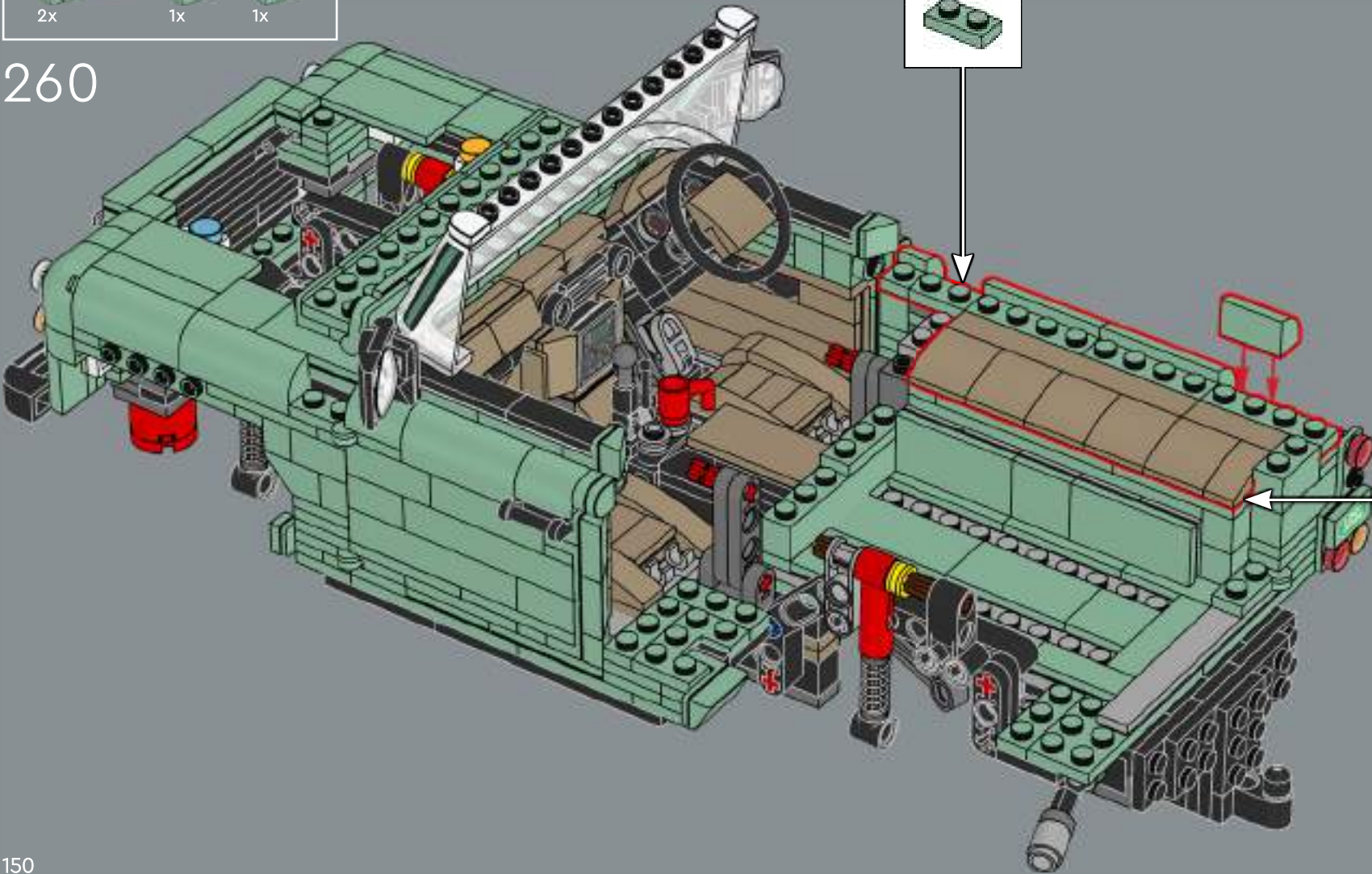


259



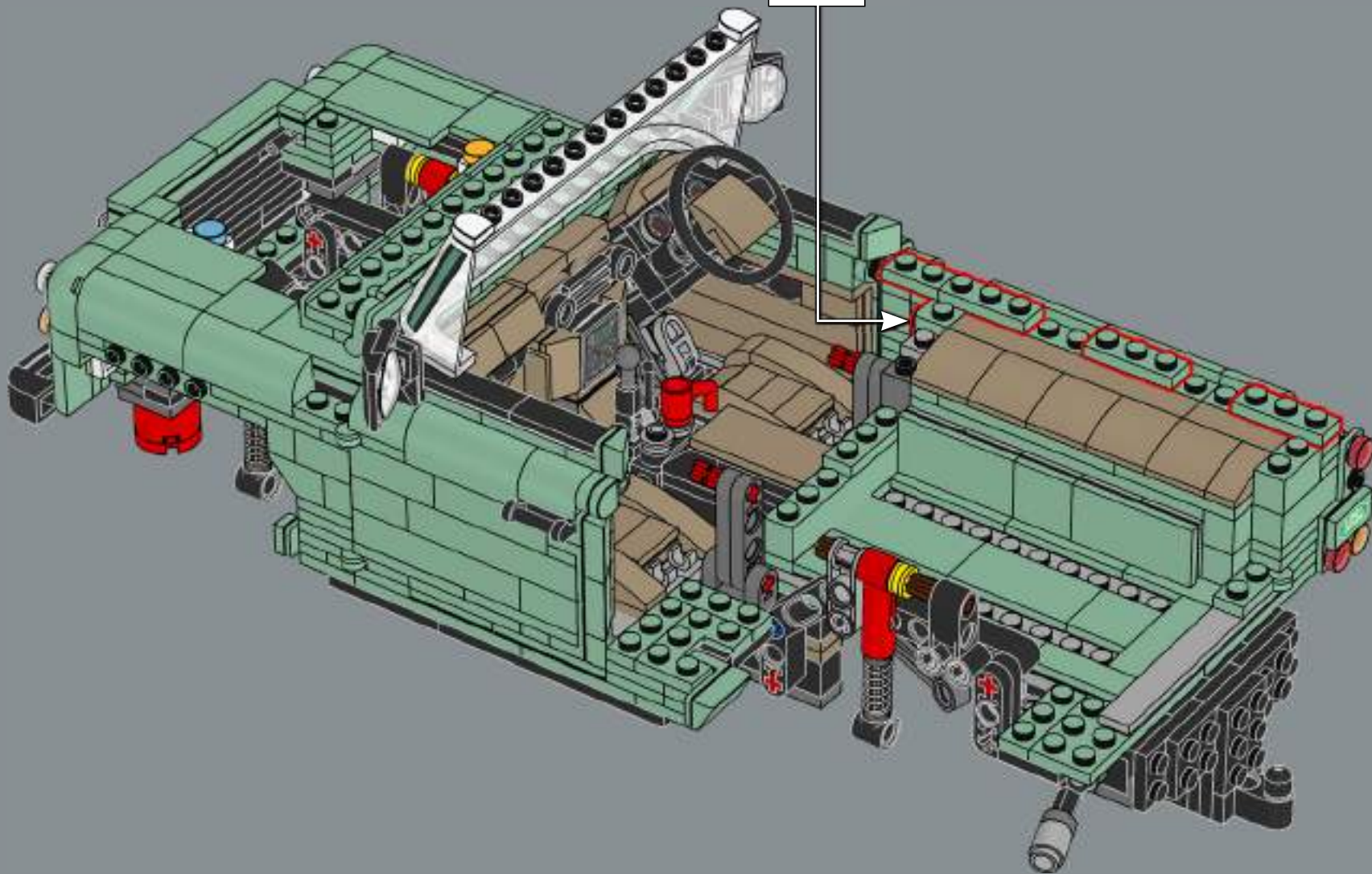


260



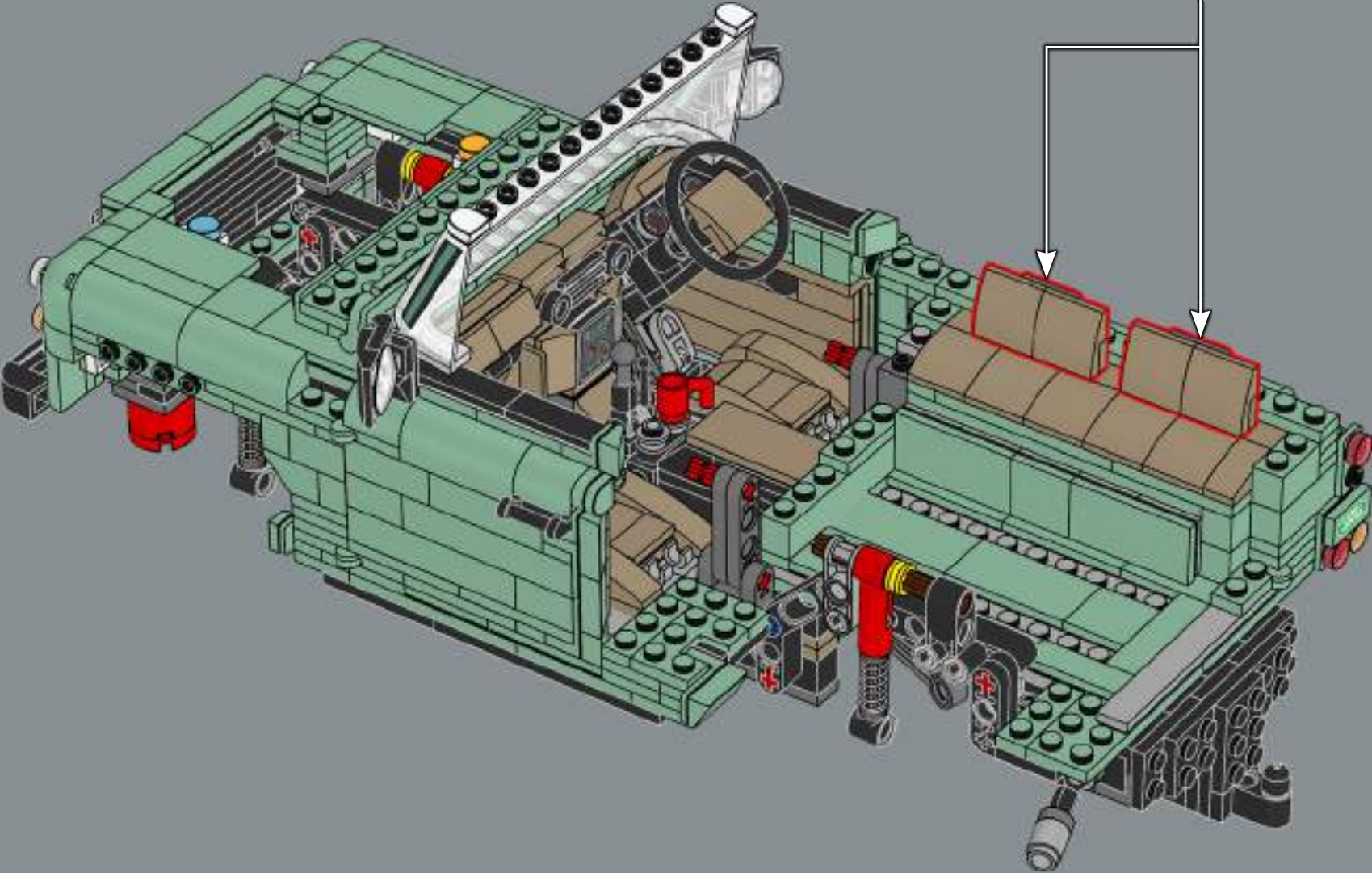
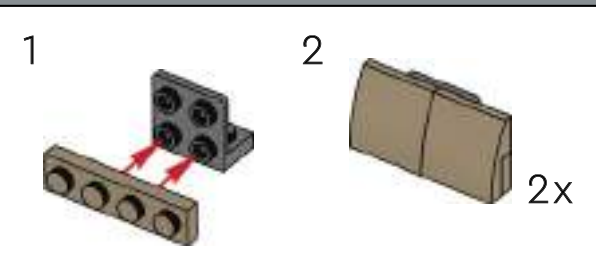


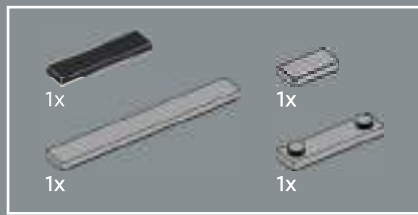
261



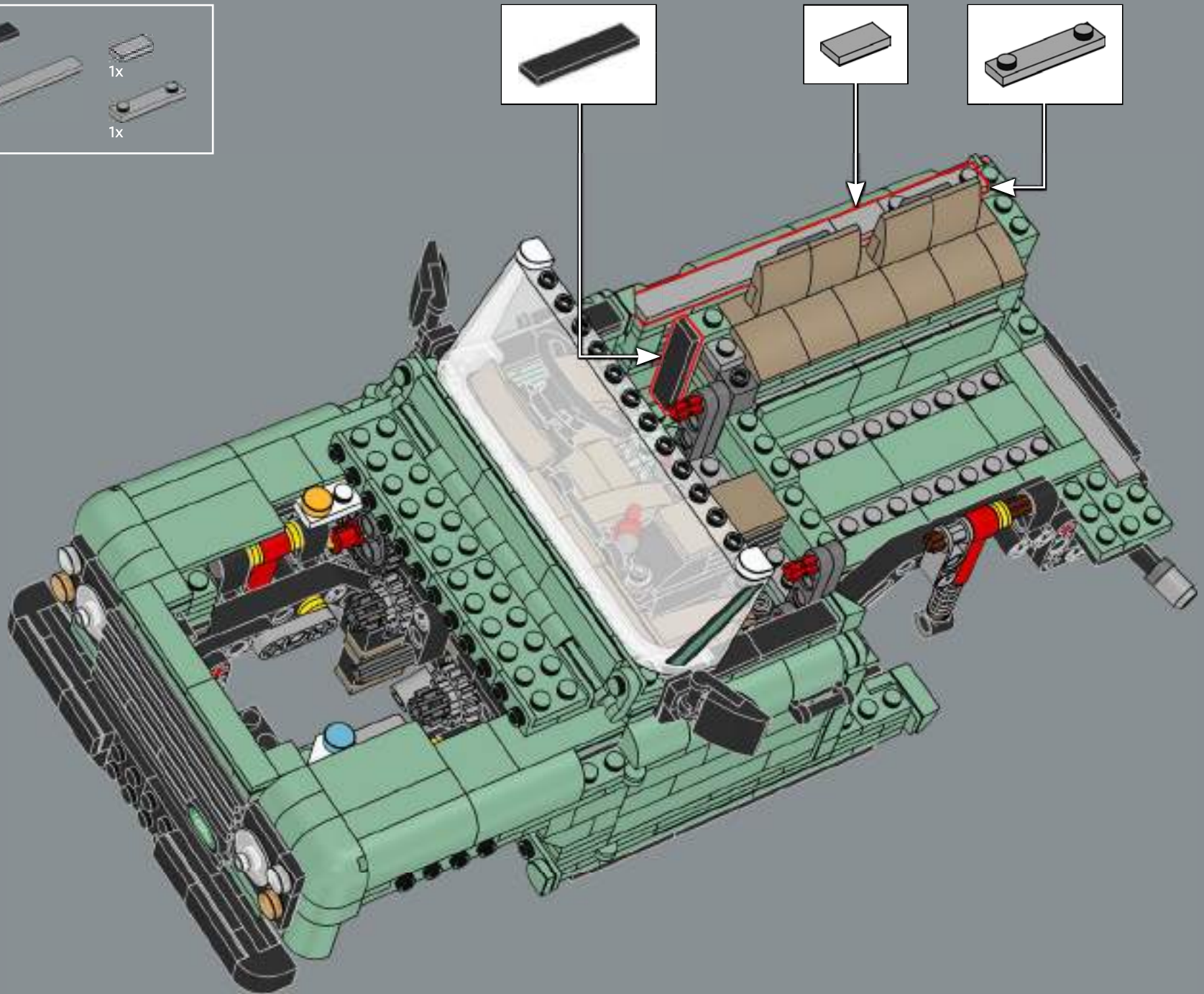


262



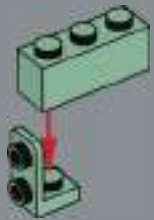


263

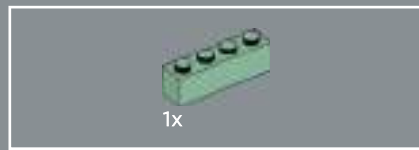
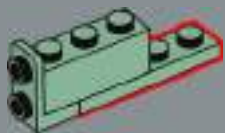




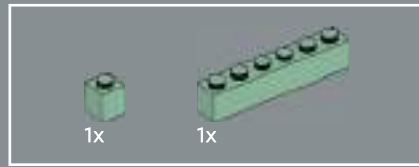
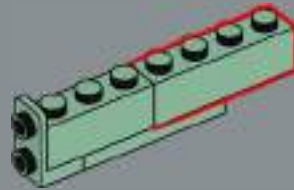
264



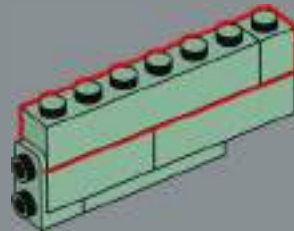
265



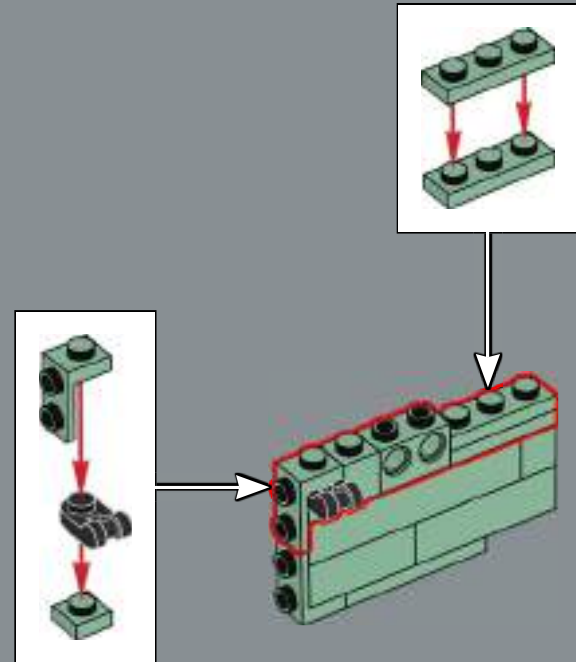
266



267

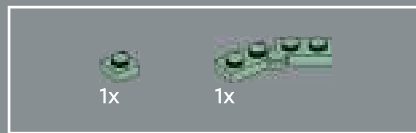
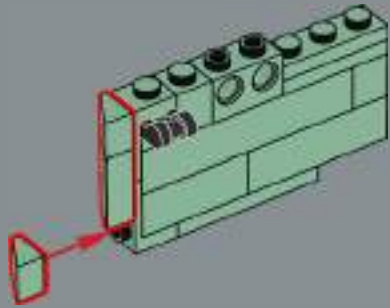


268

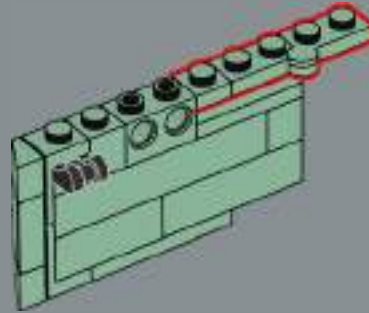




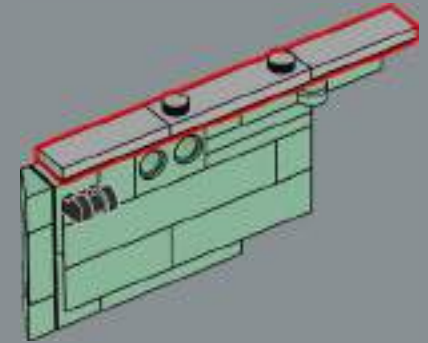
269



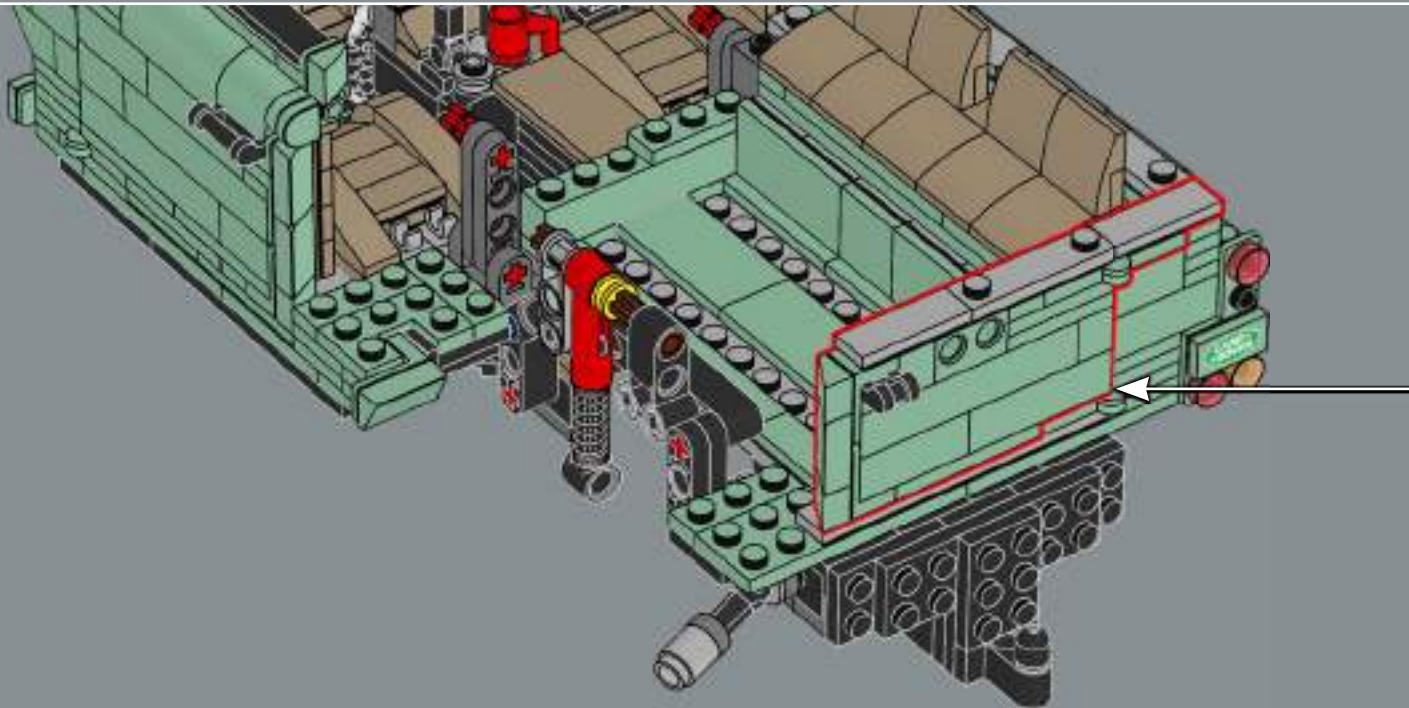
270



271

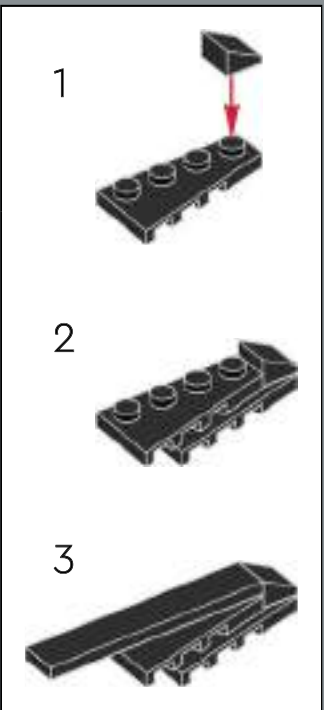
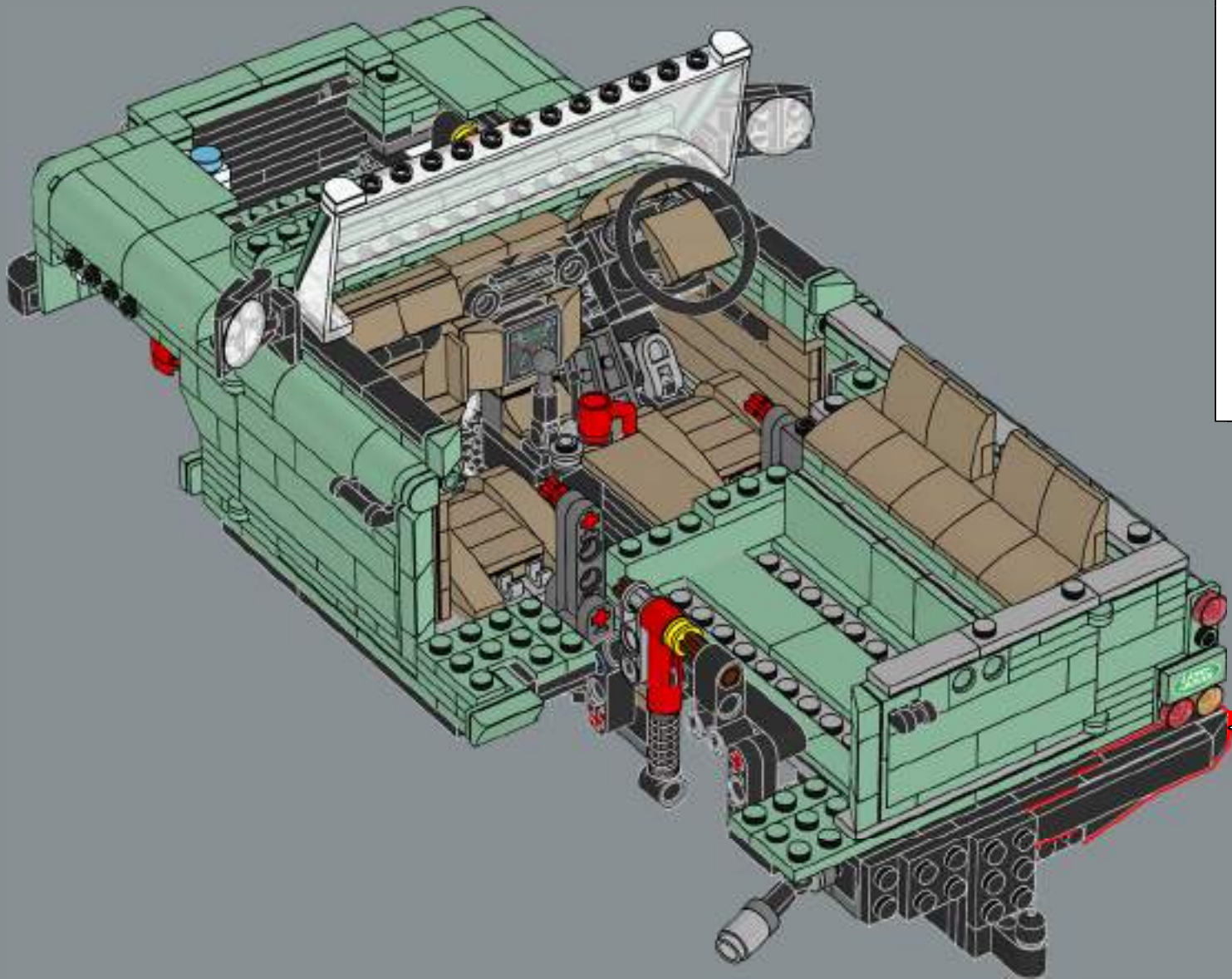


272



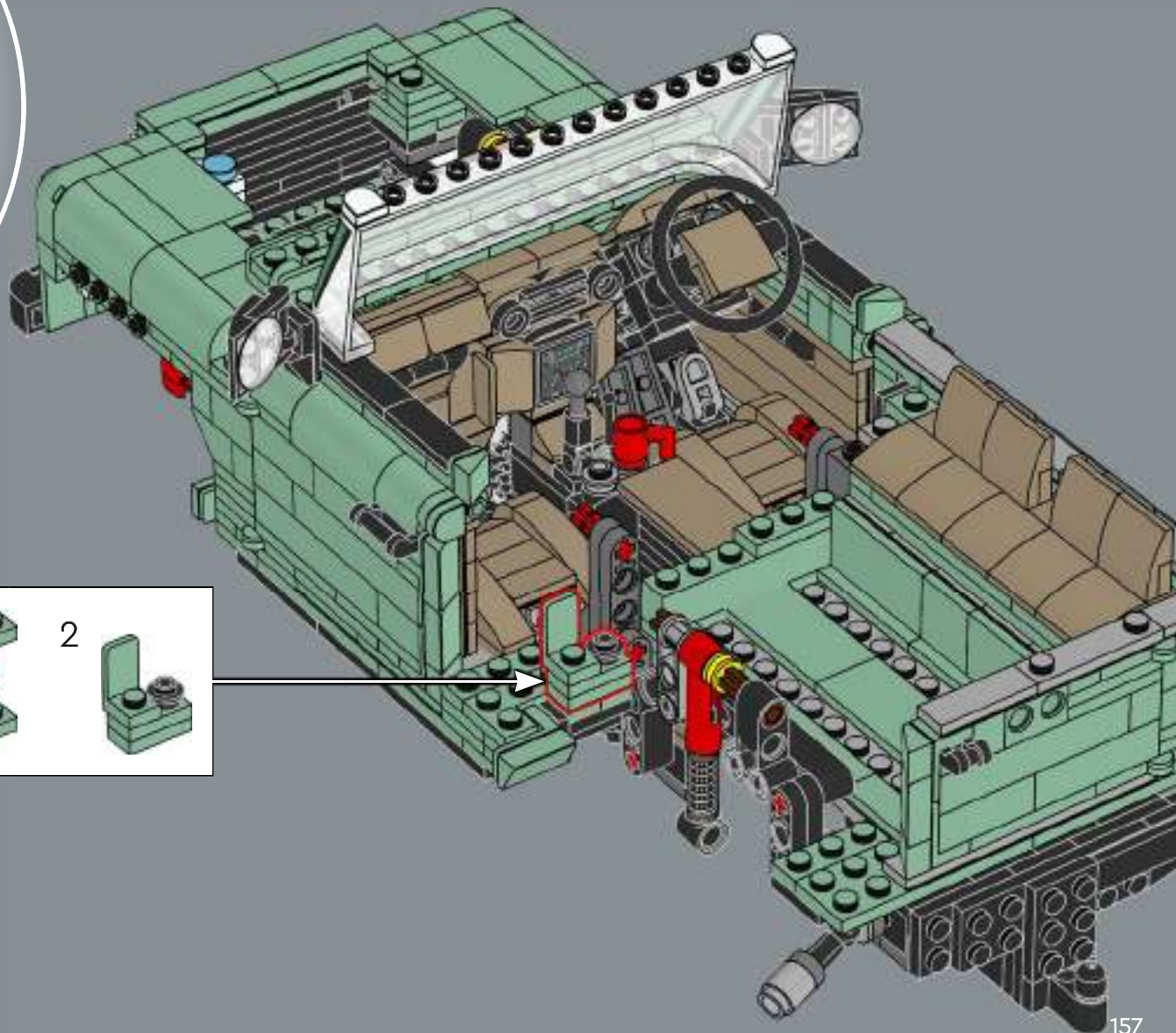
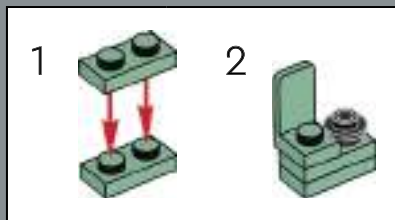


273



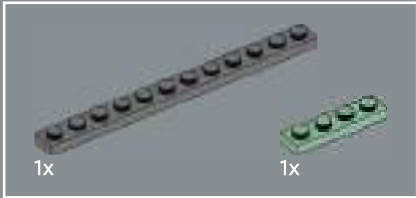
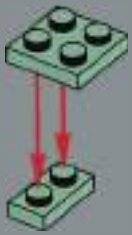


274

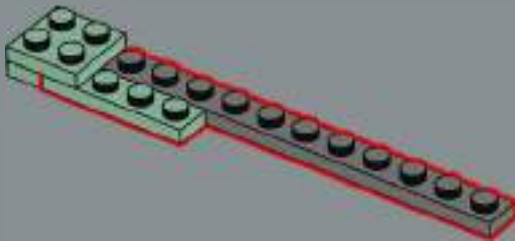




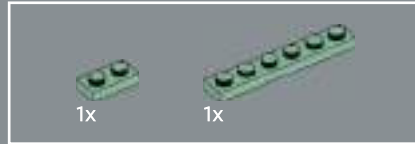
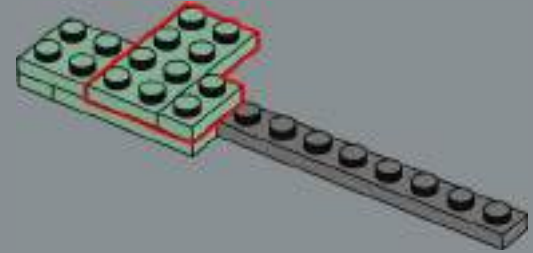
275



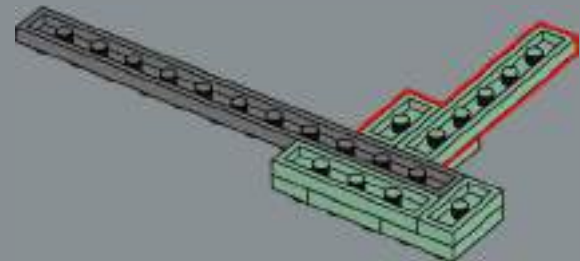
276



277

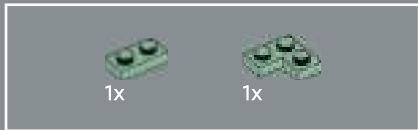
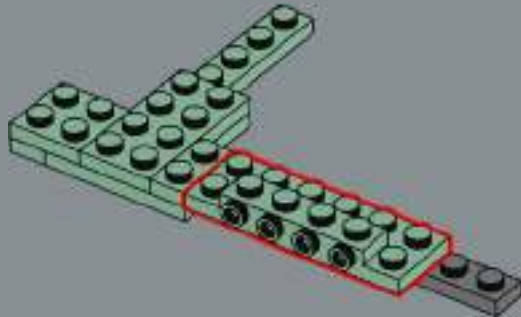


278

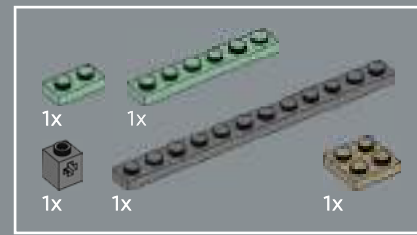
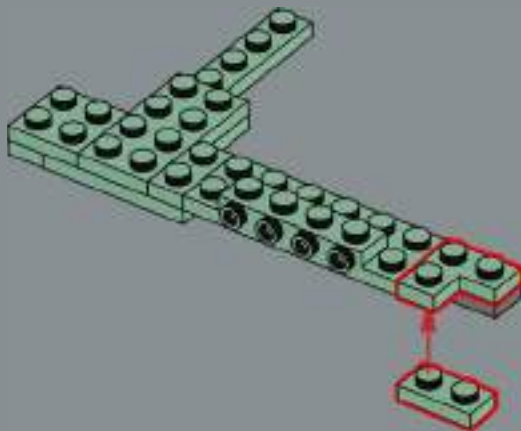




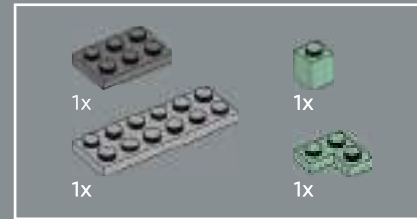
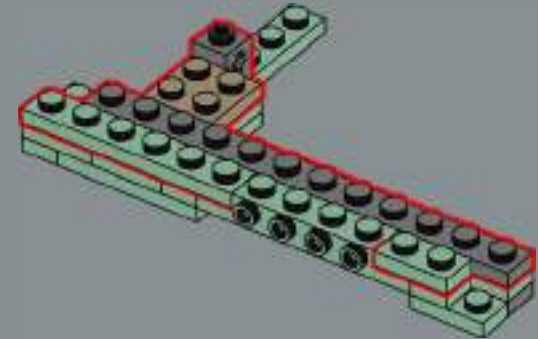
279



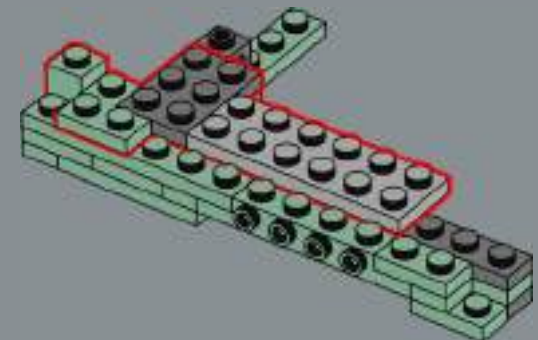
280

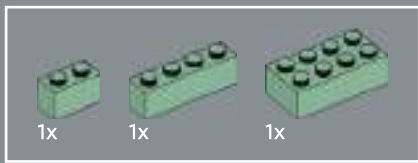


281

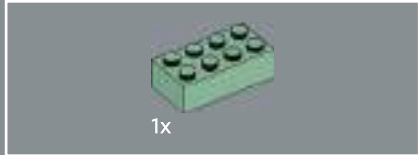
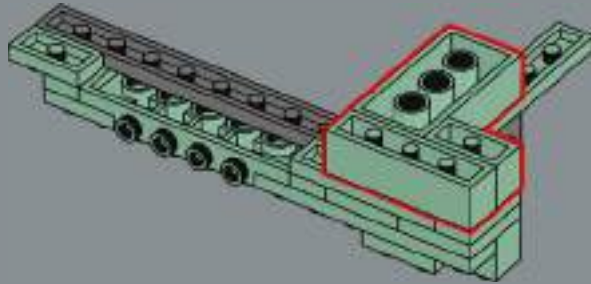


282

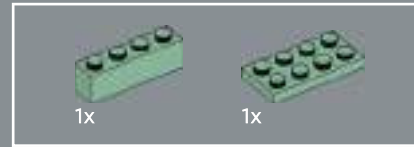
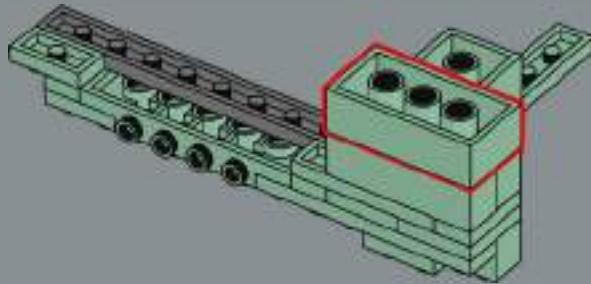




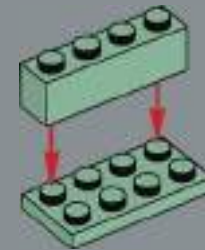
283



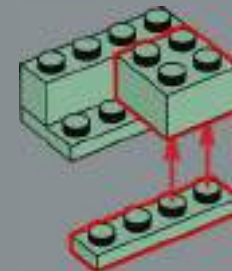
284

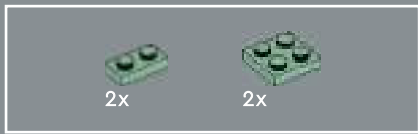


285

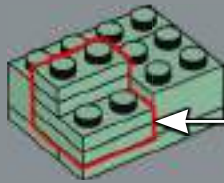
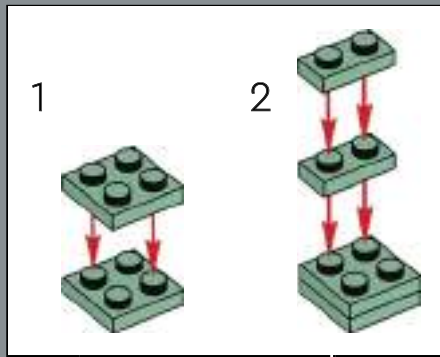


286

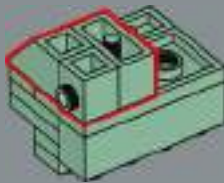




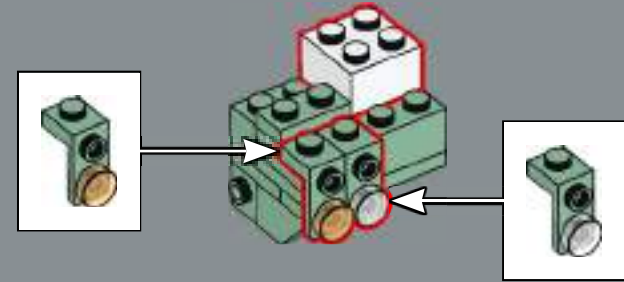
287



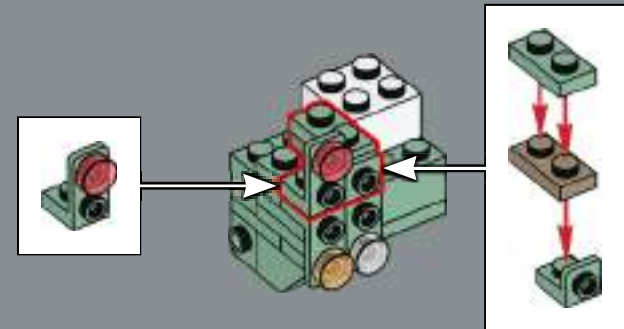
288



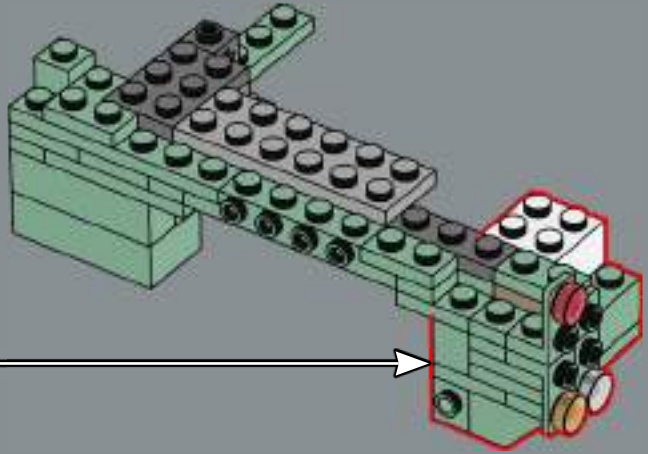
289



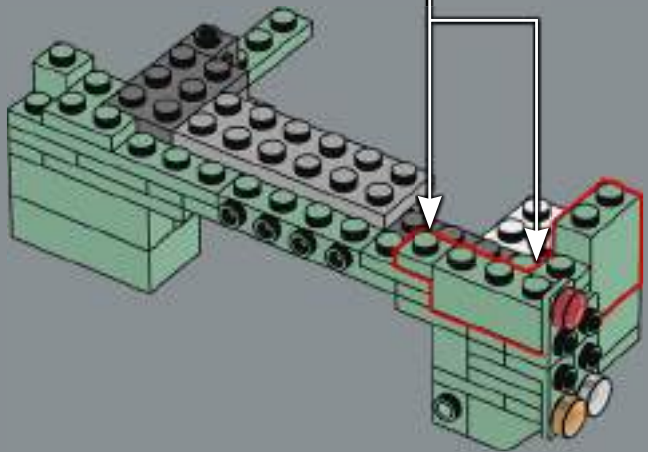
290



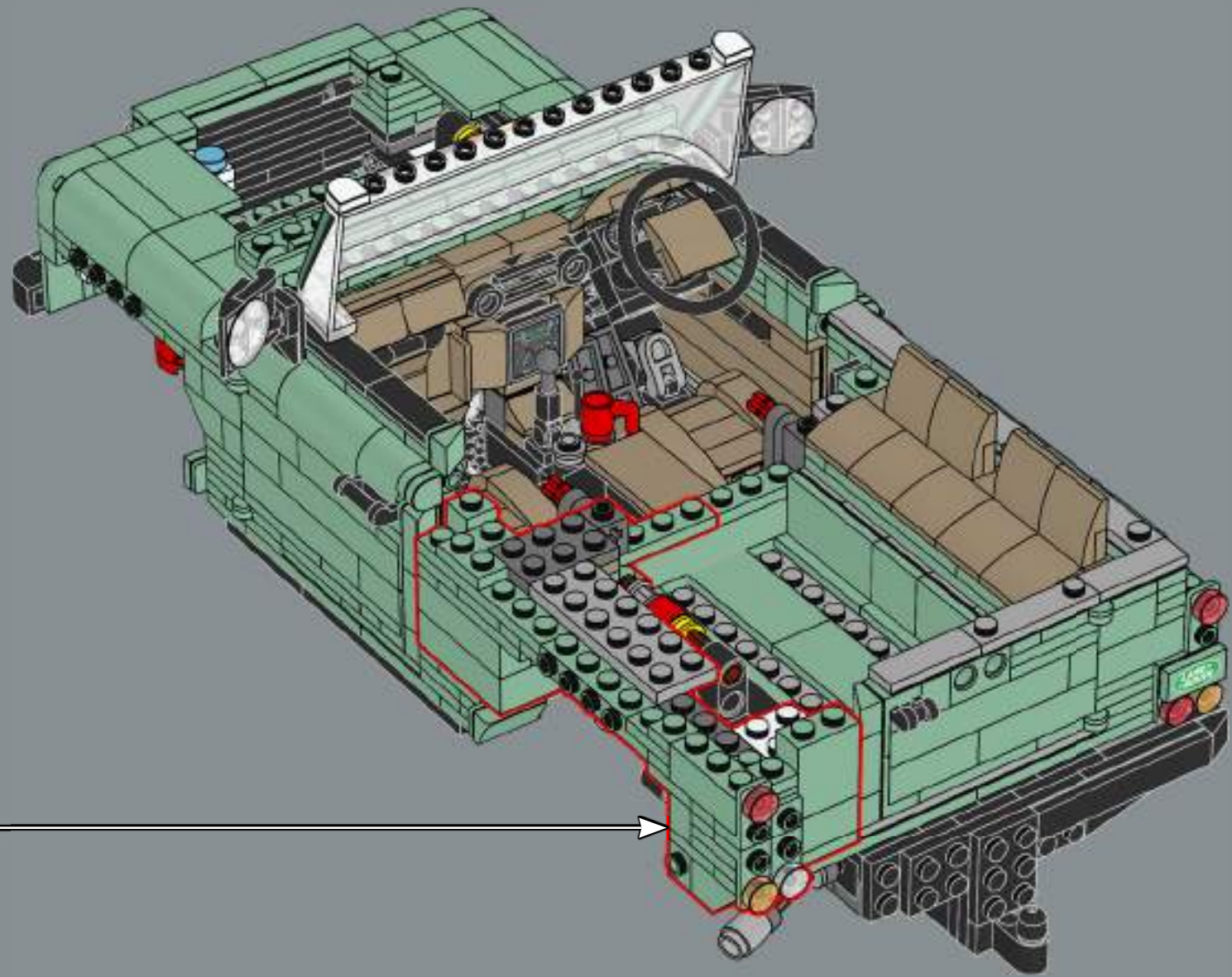
291

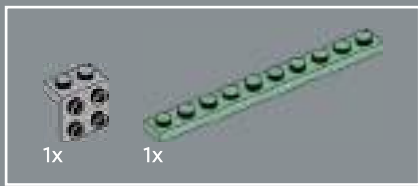


292

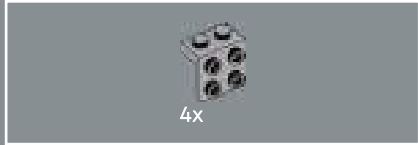
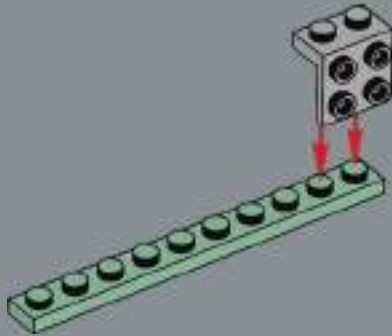


293

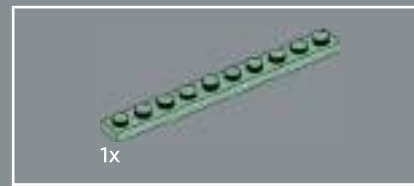
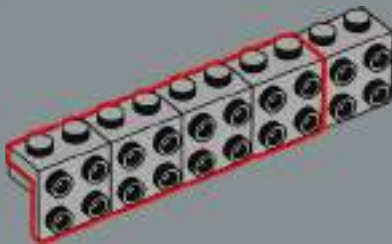




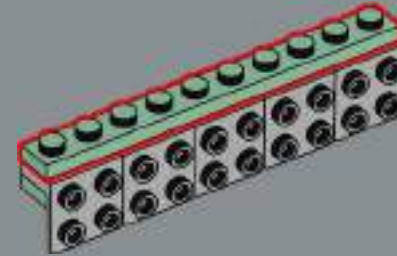
294



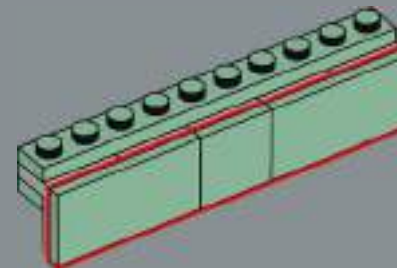
295



296

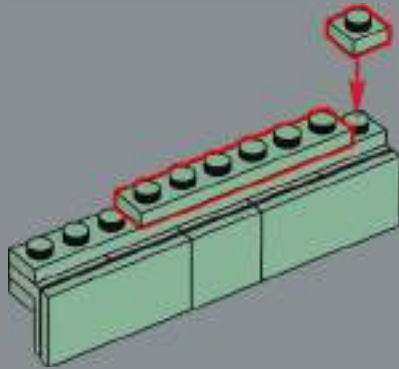


297

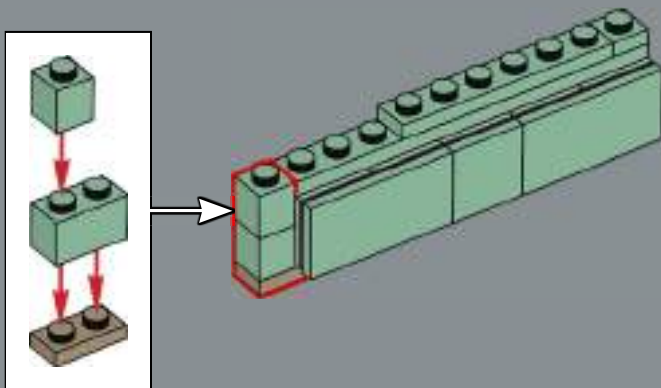




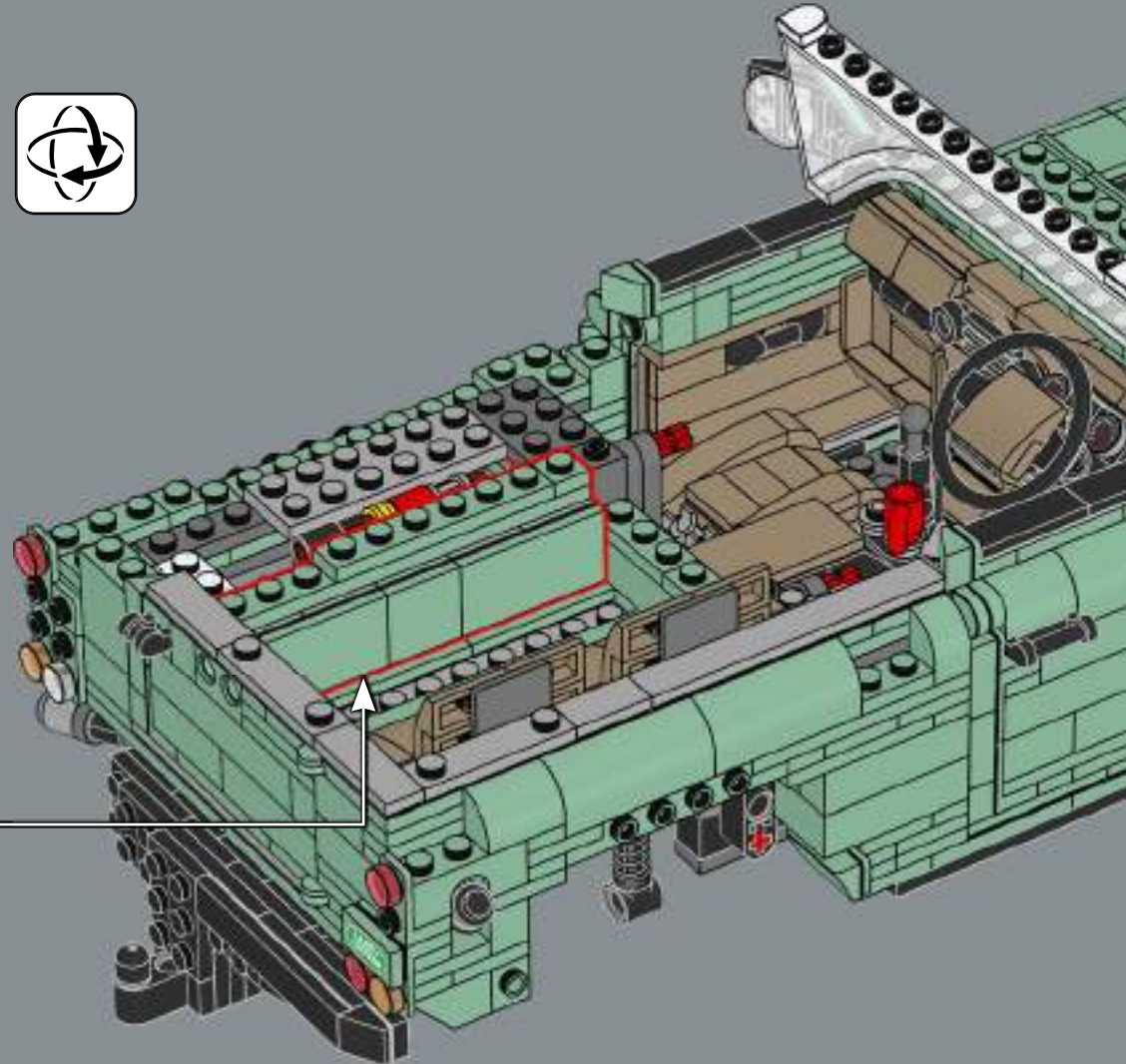
298

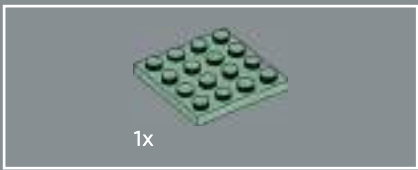


299

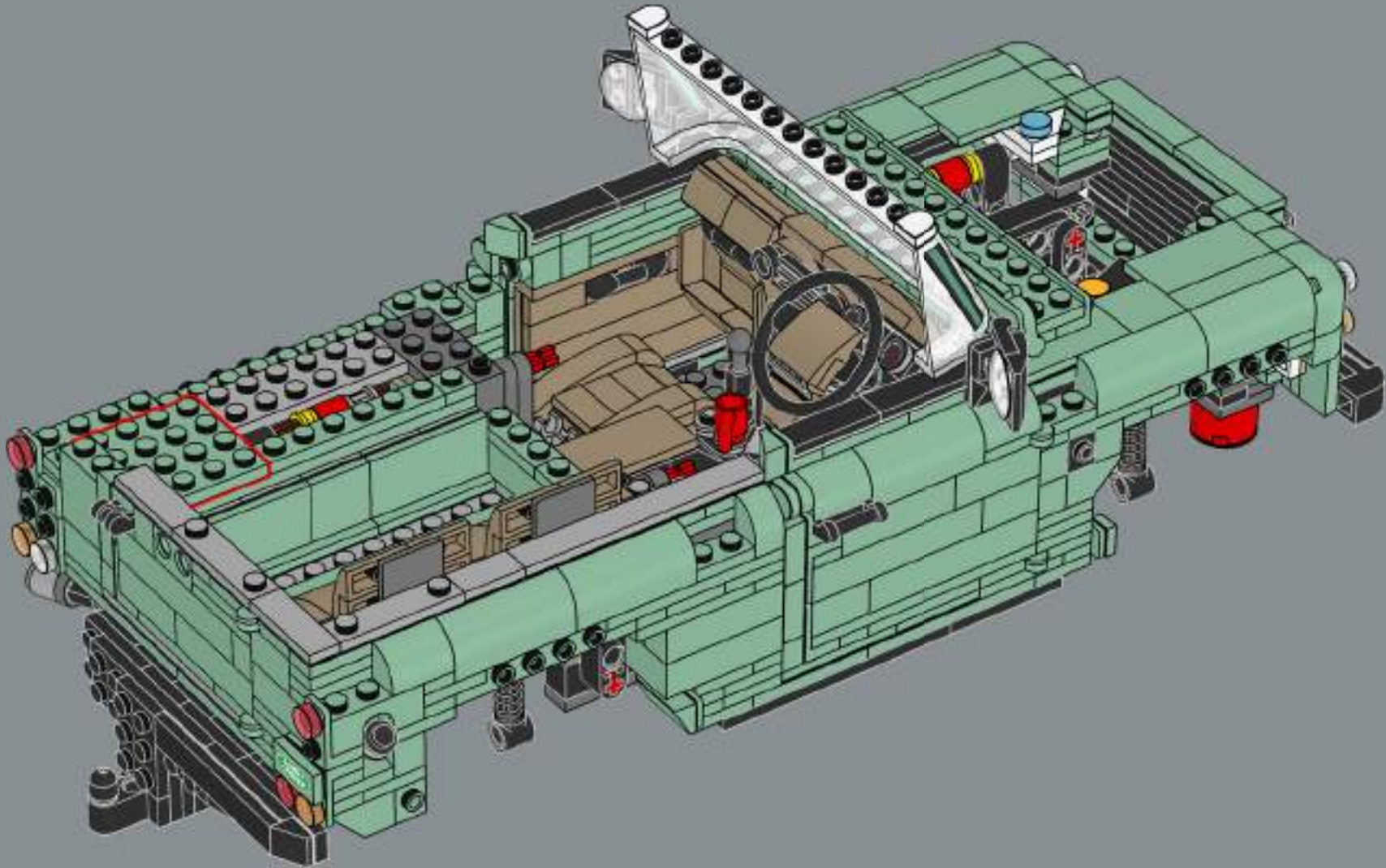


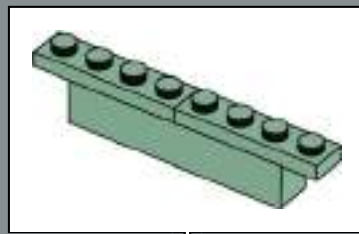
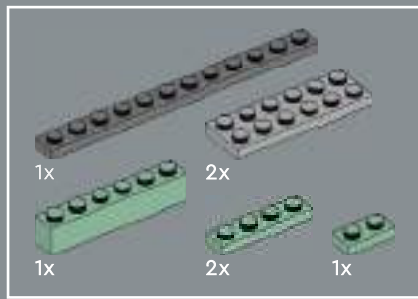
300



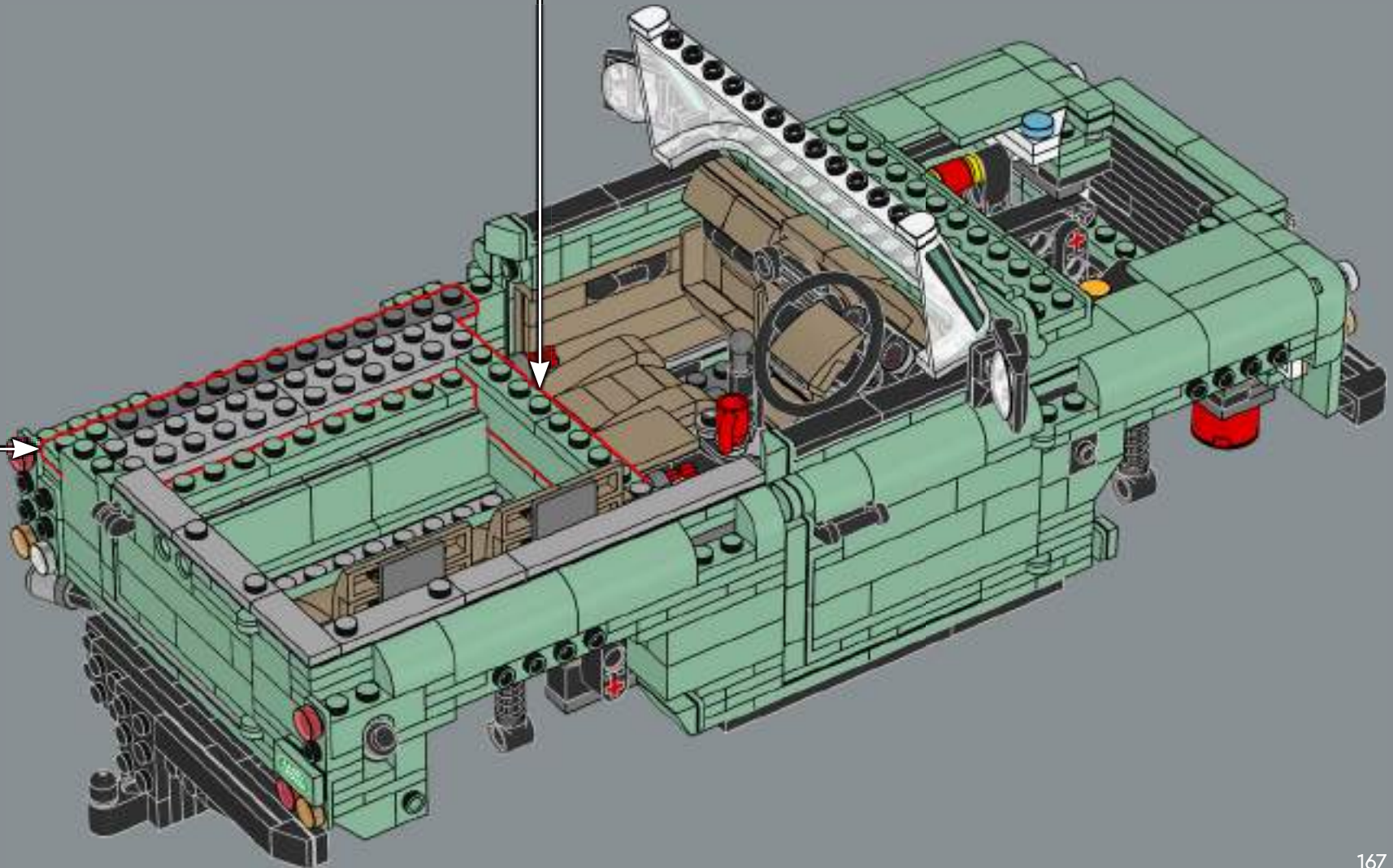


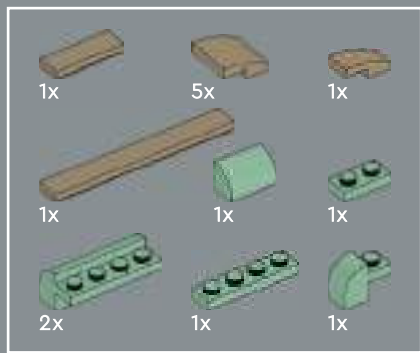
301



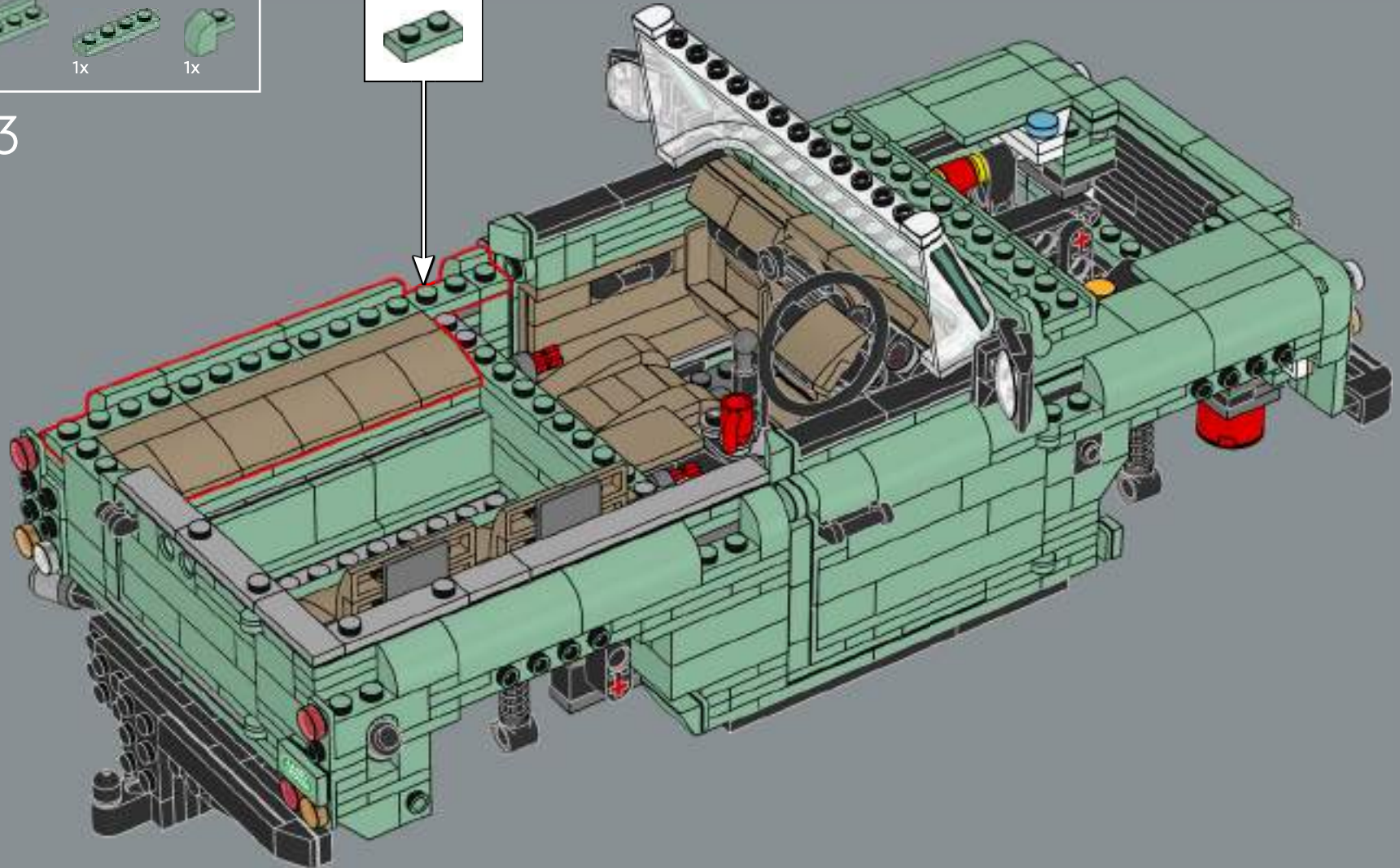


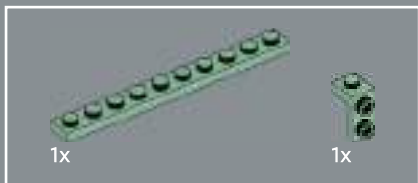
302



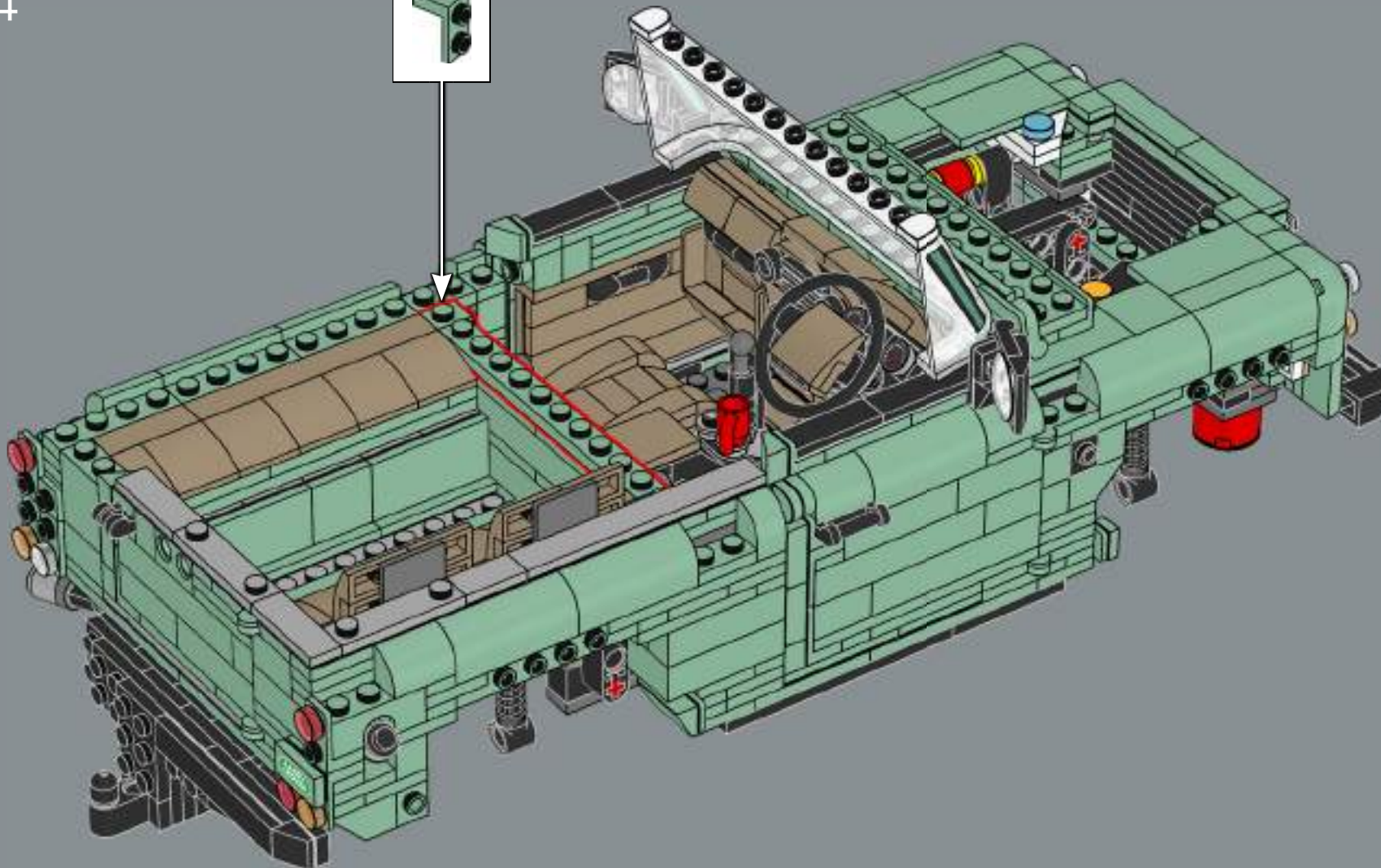


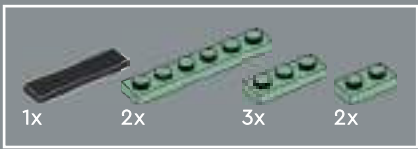
303



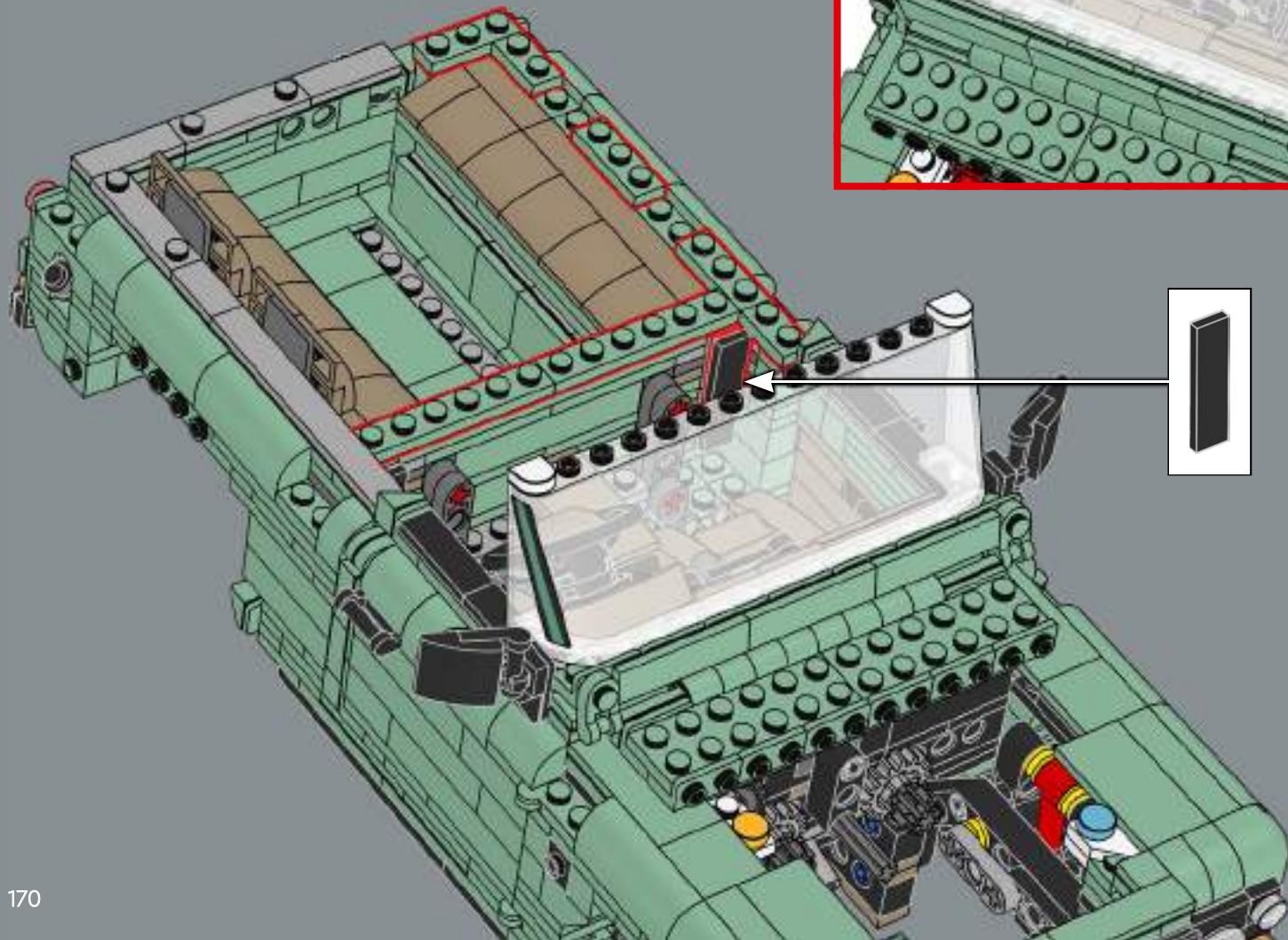
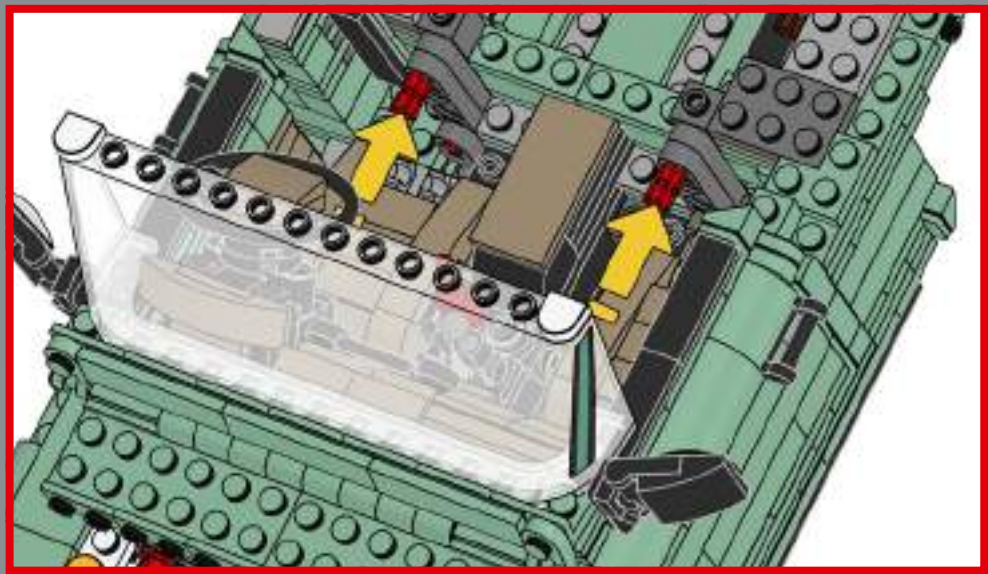


304



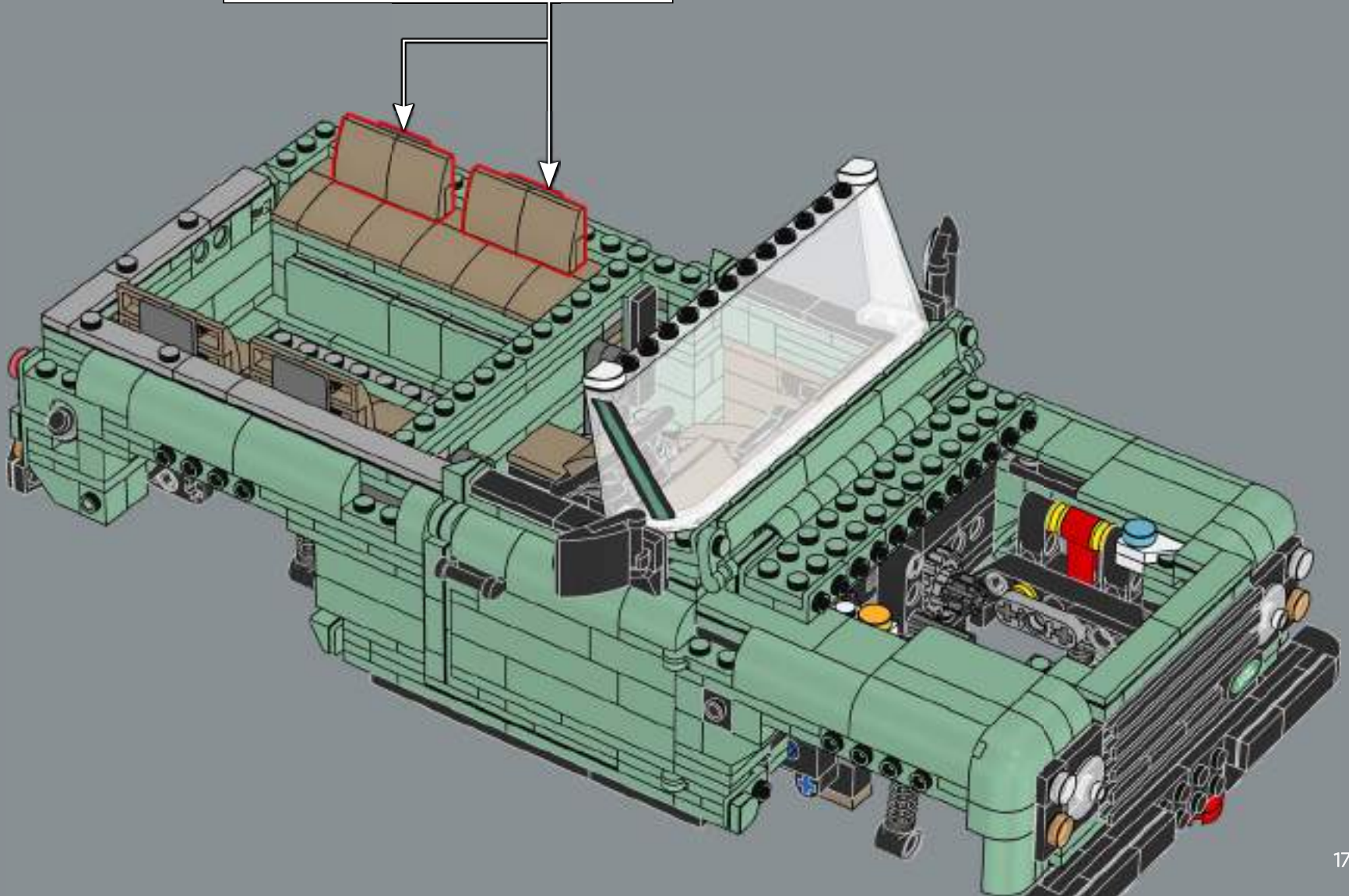
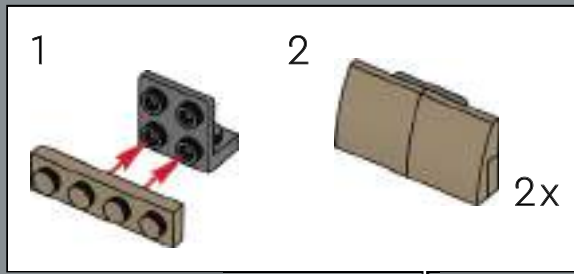


305

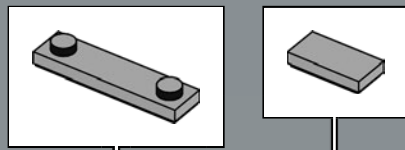
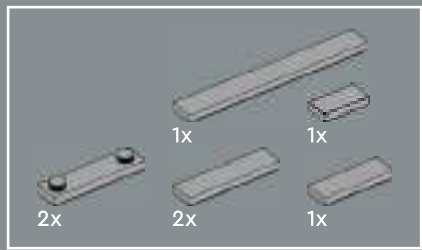




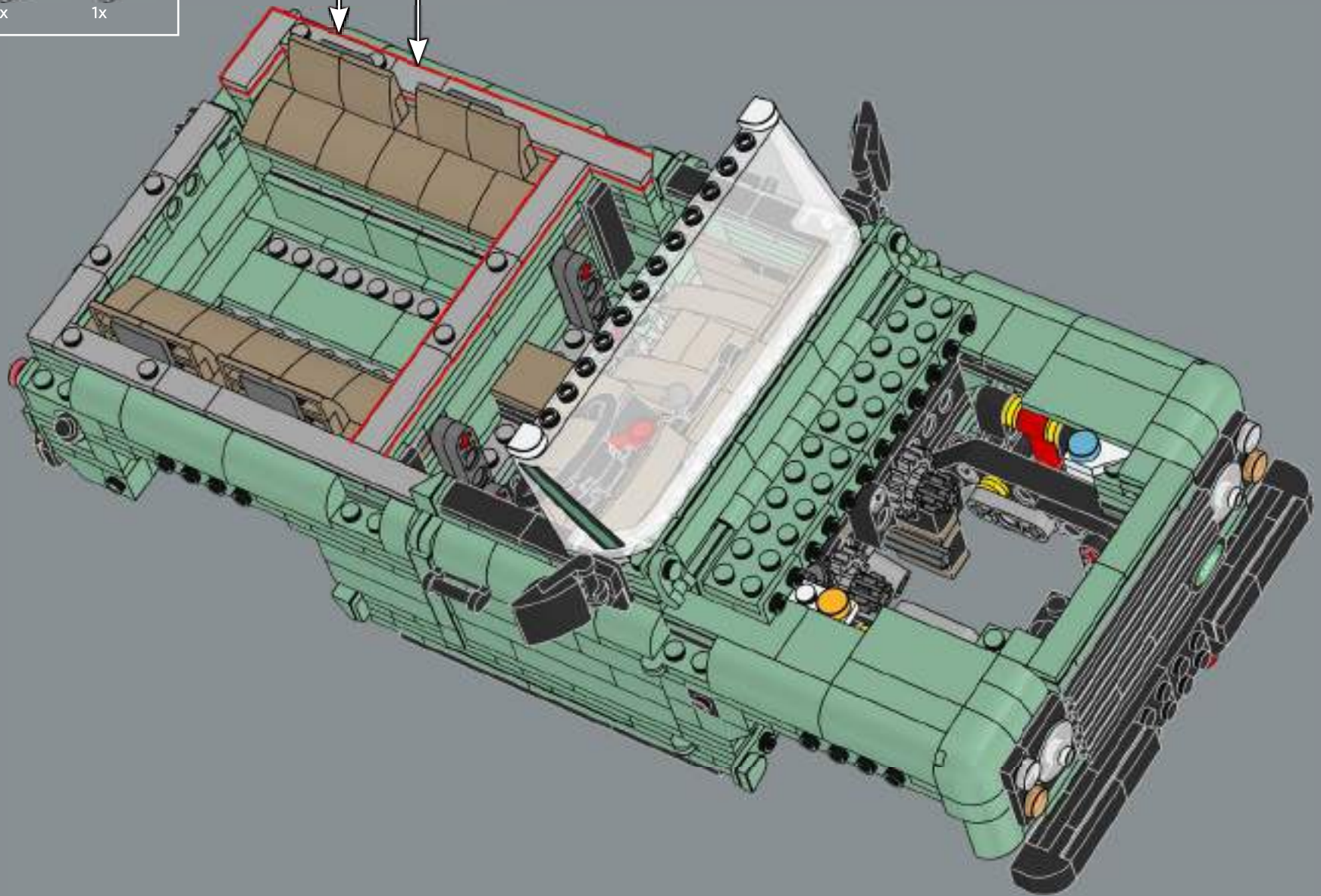
306



The official LEGO® colour code of the seats is 138, but LEGO designers call it "wet sand".

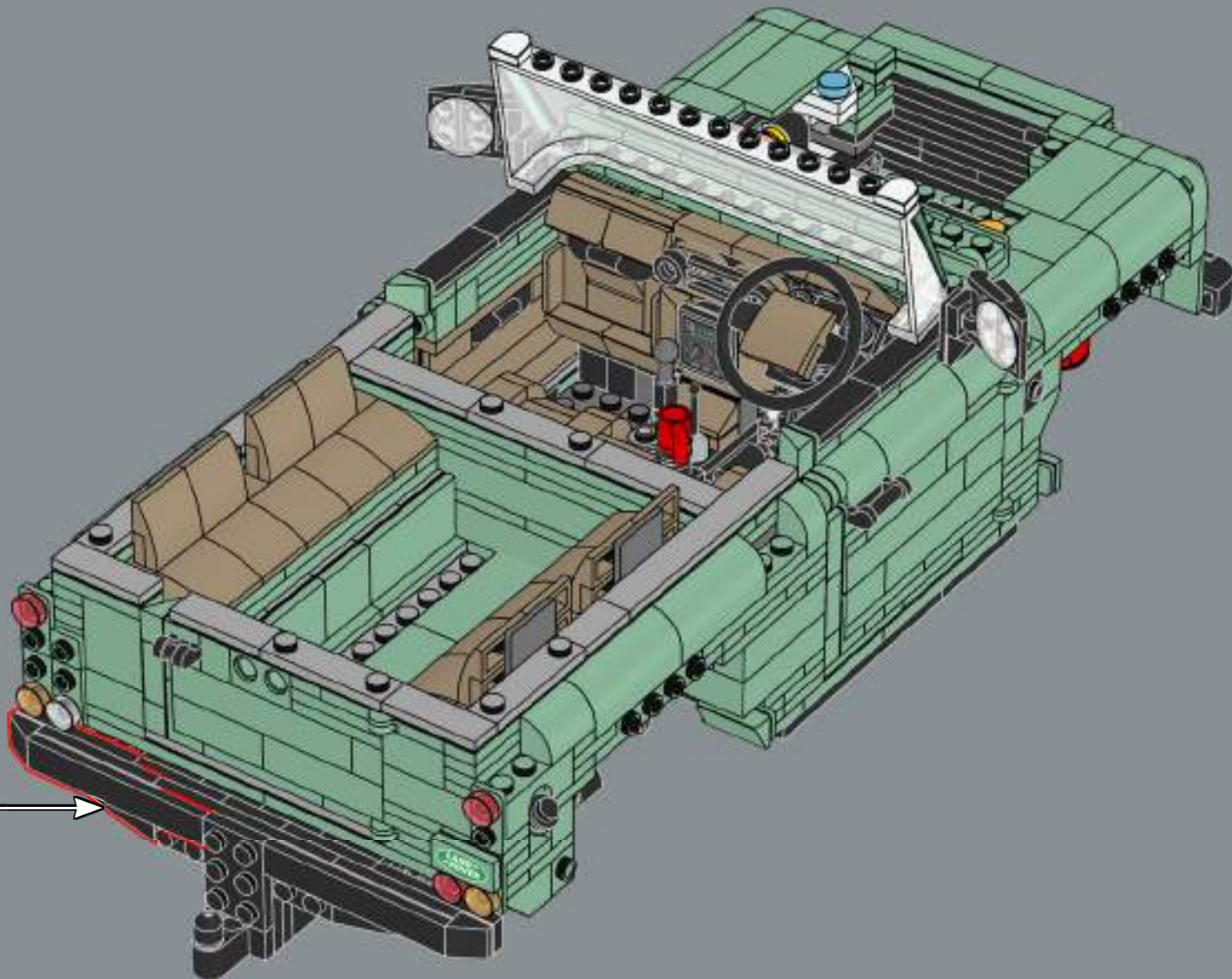
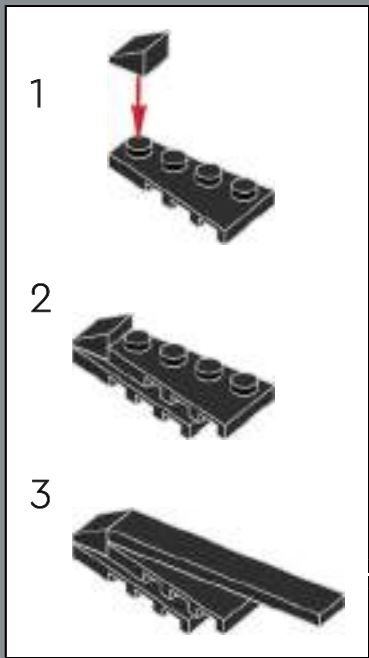


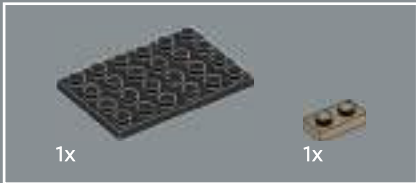
307



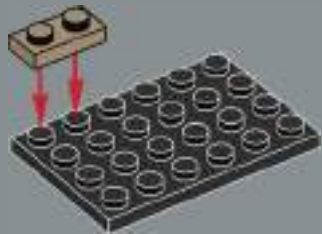


308

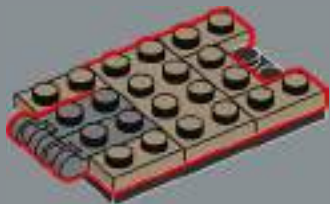




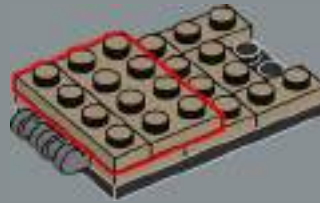
309



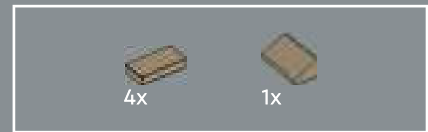
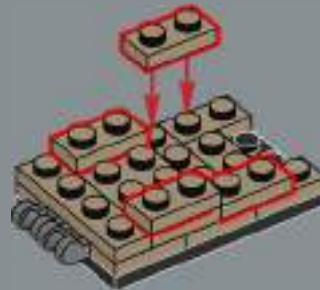
310



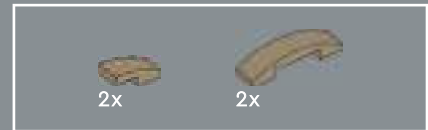
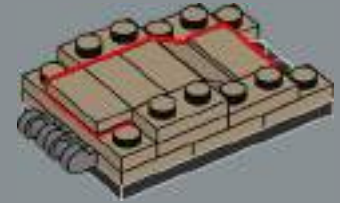
311



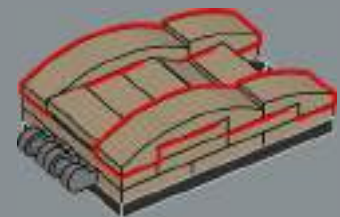
312

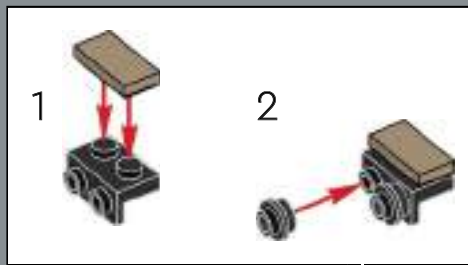


313



314





315

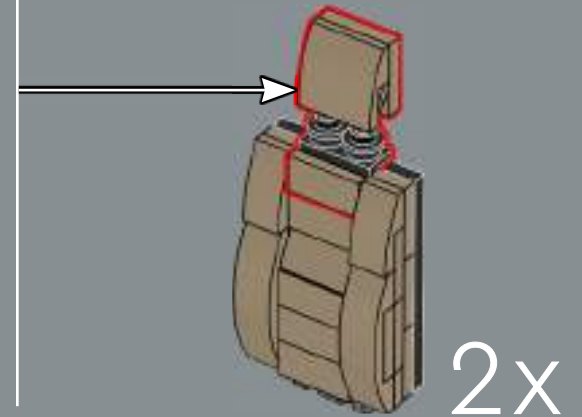
1



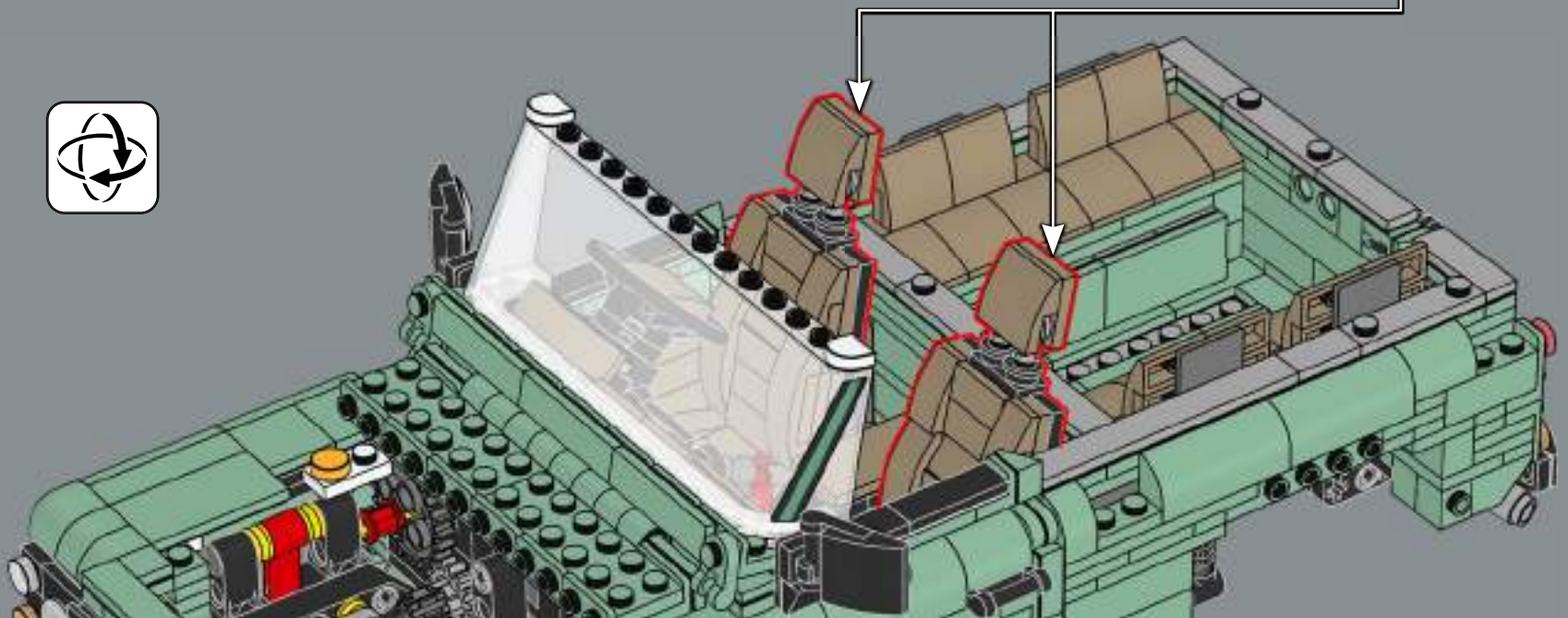
2

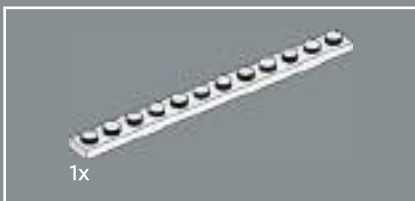
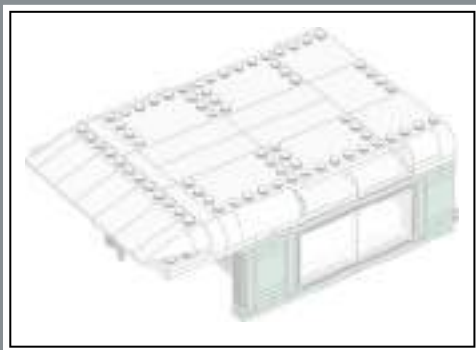


3

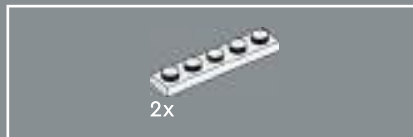
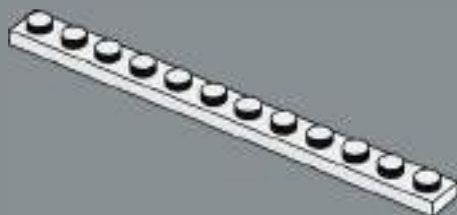


316

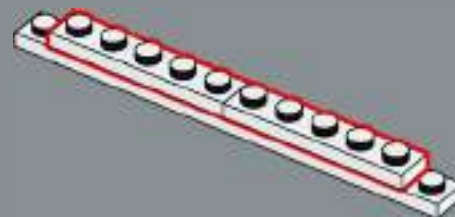




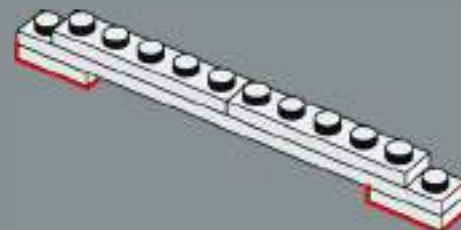
317



318

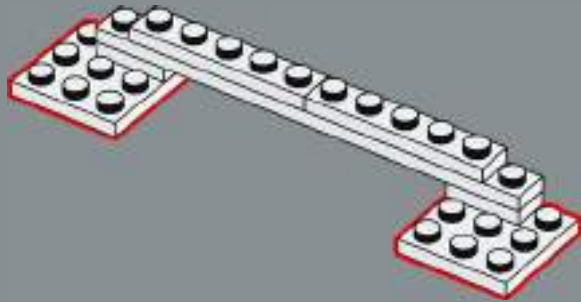


319

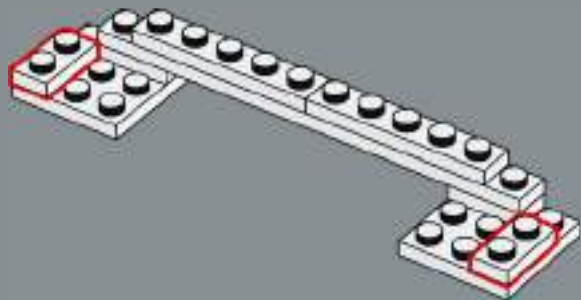




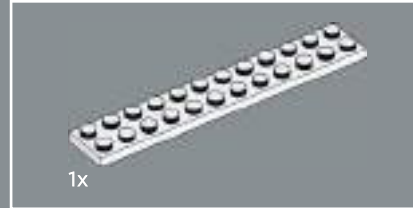
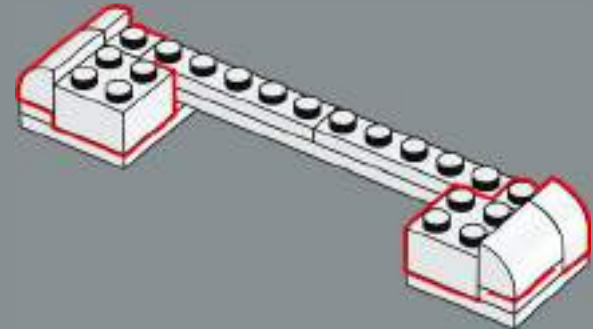
320



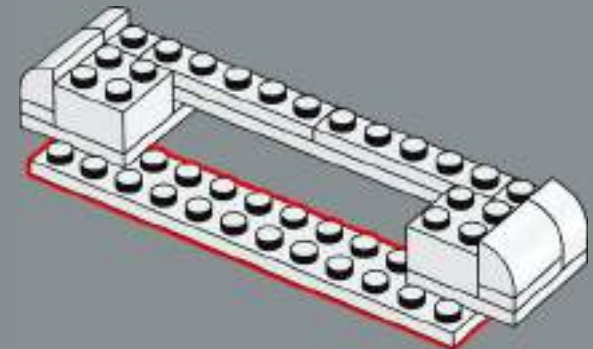
321

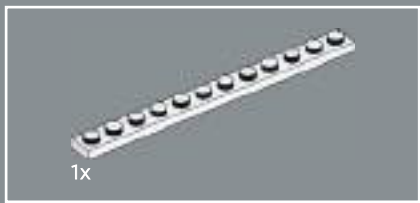


322

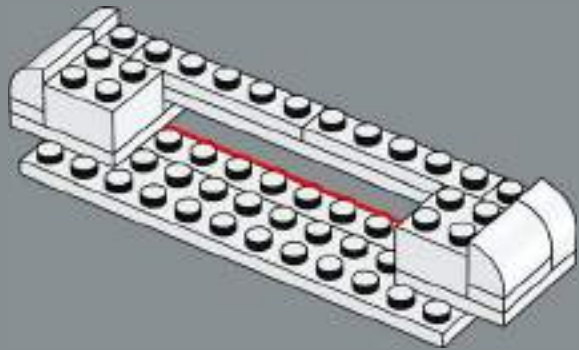


323

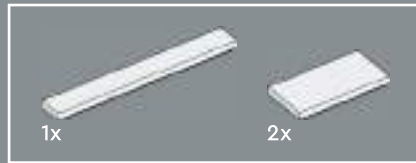
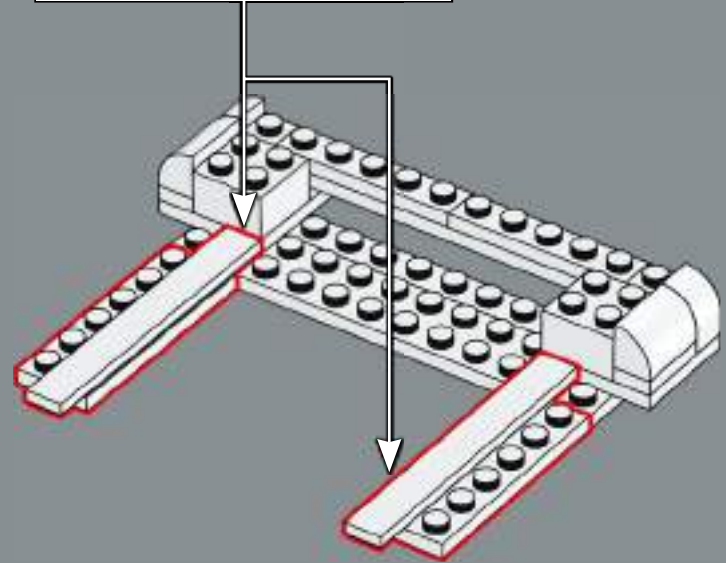
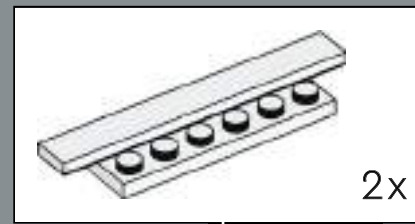




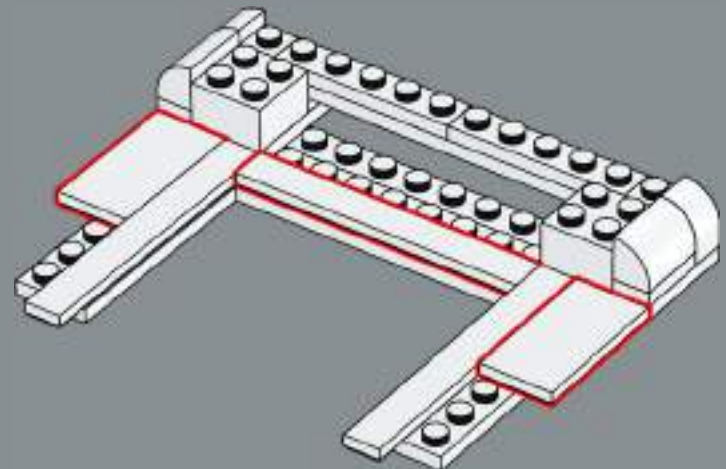
324

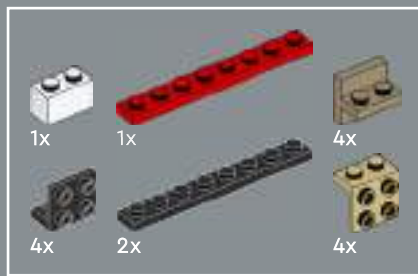


325

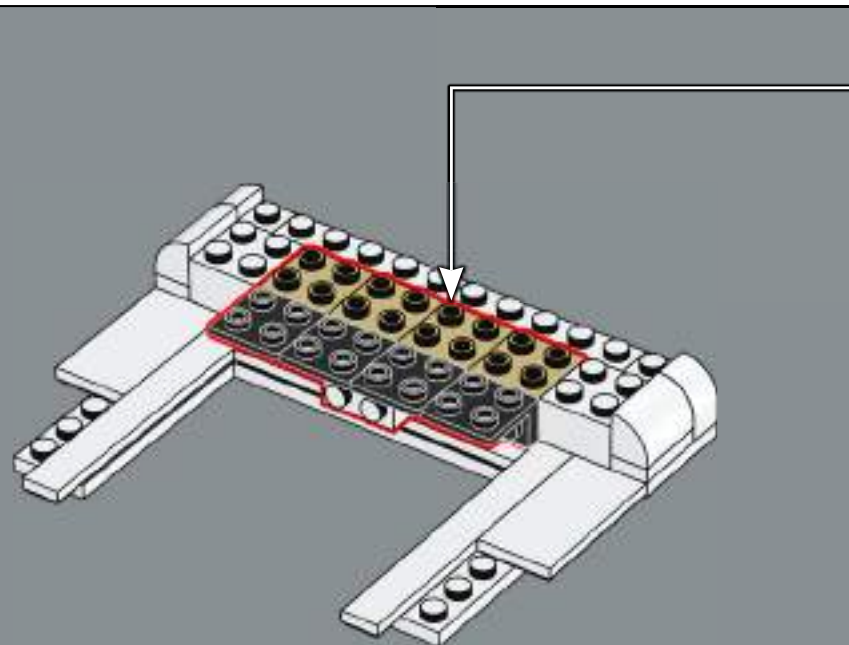
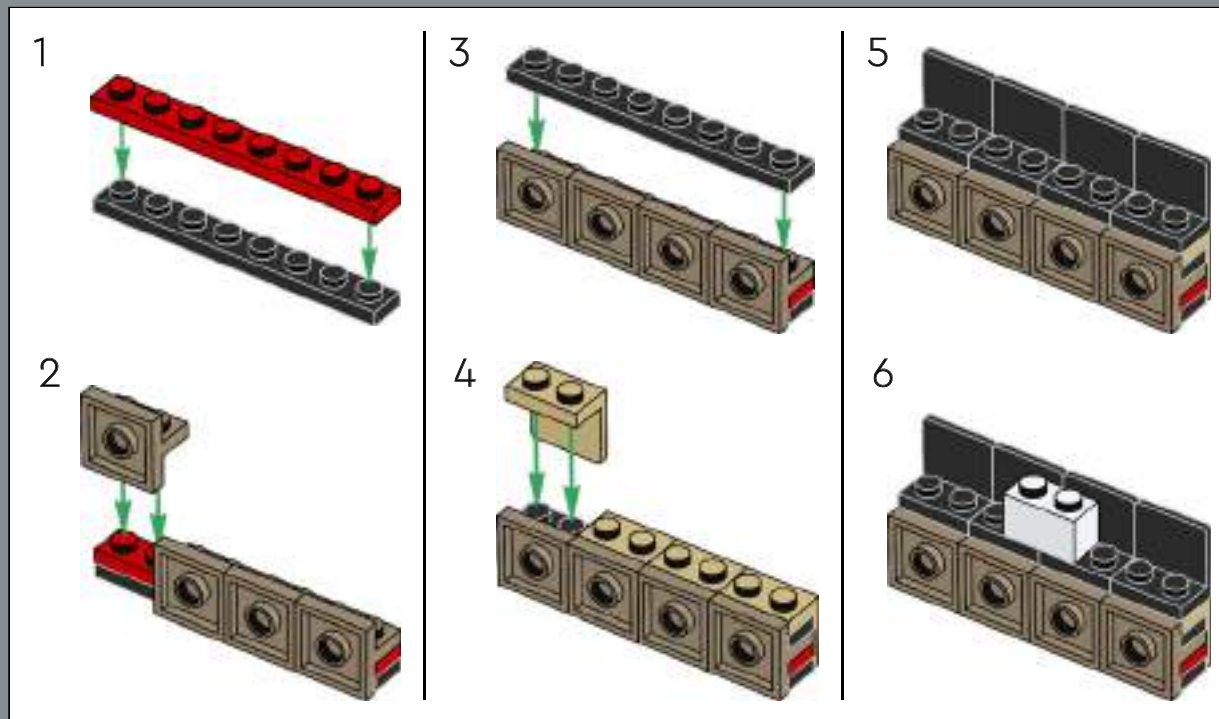


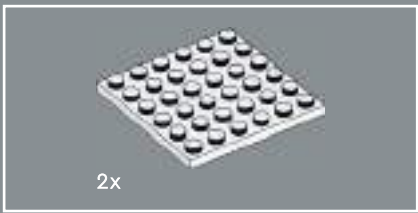
326



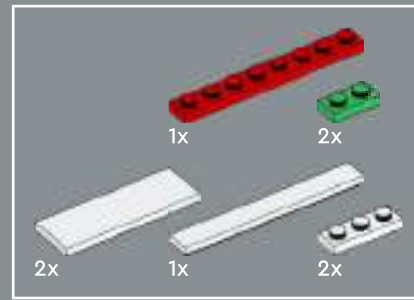
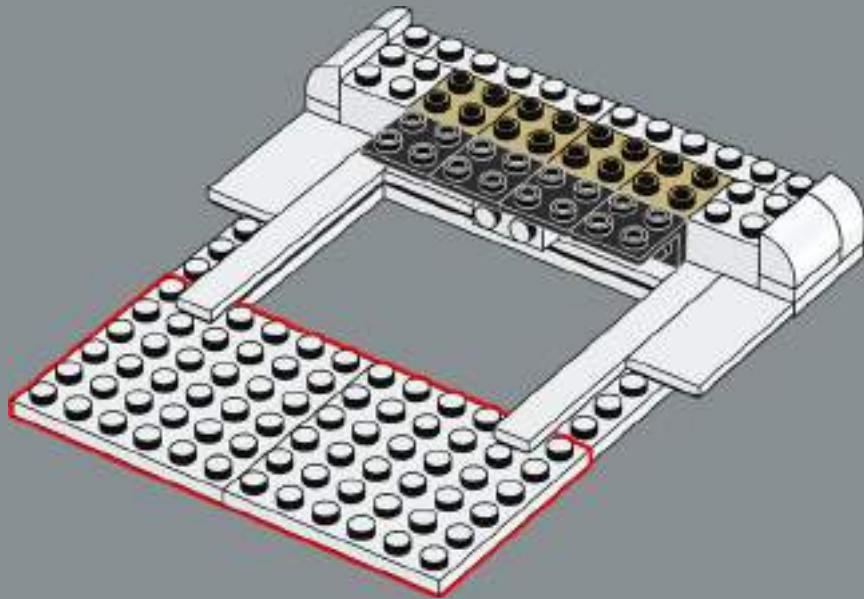


327

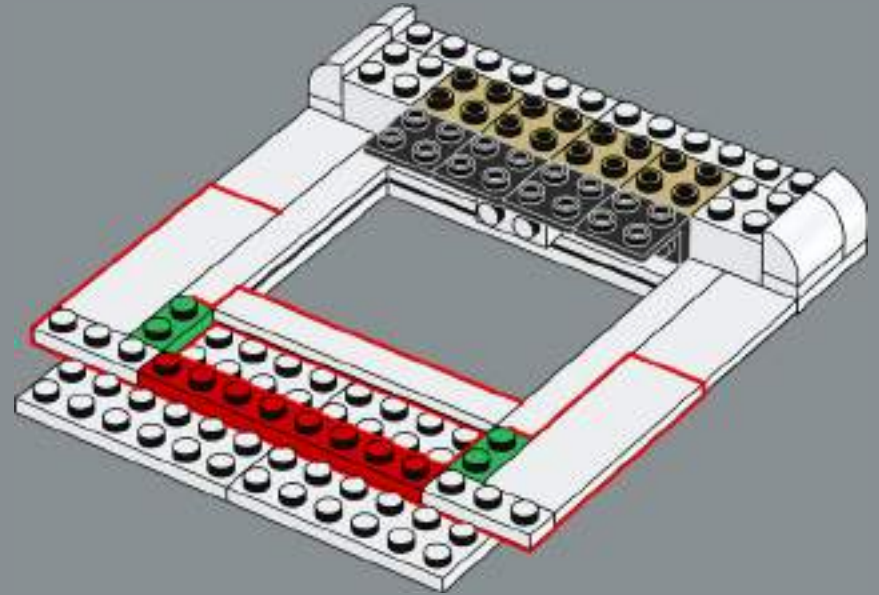




328

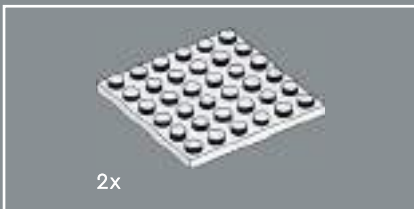
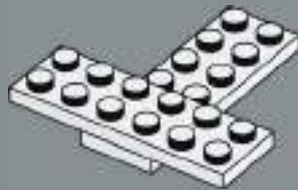


329

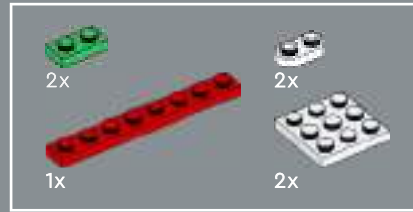
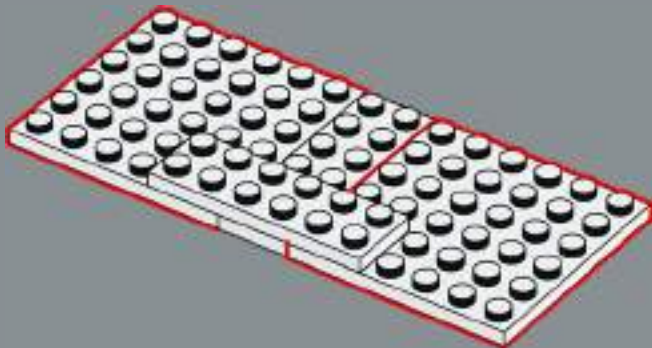




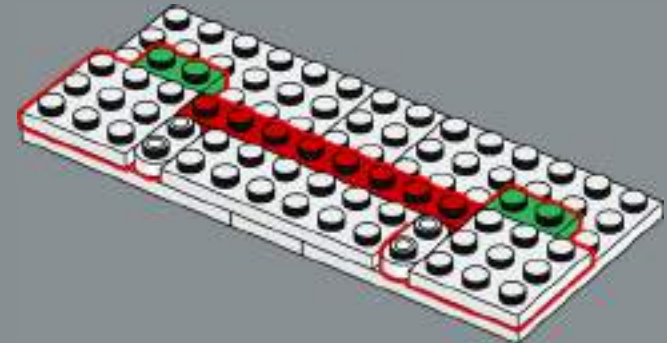
330



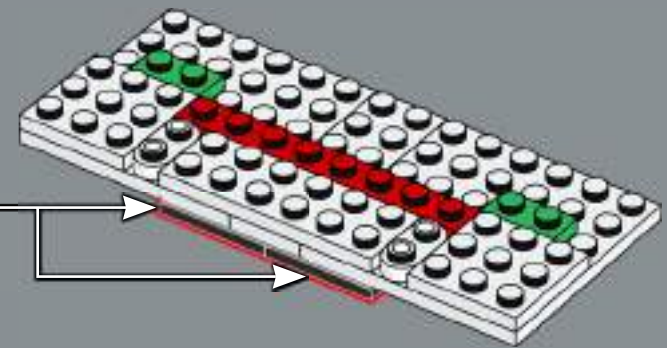
331



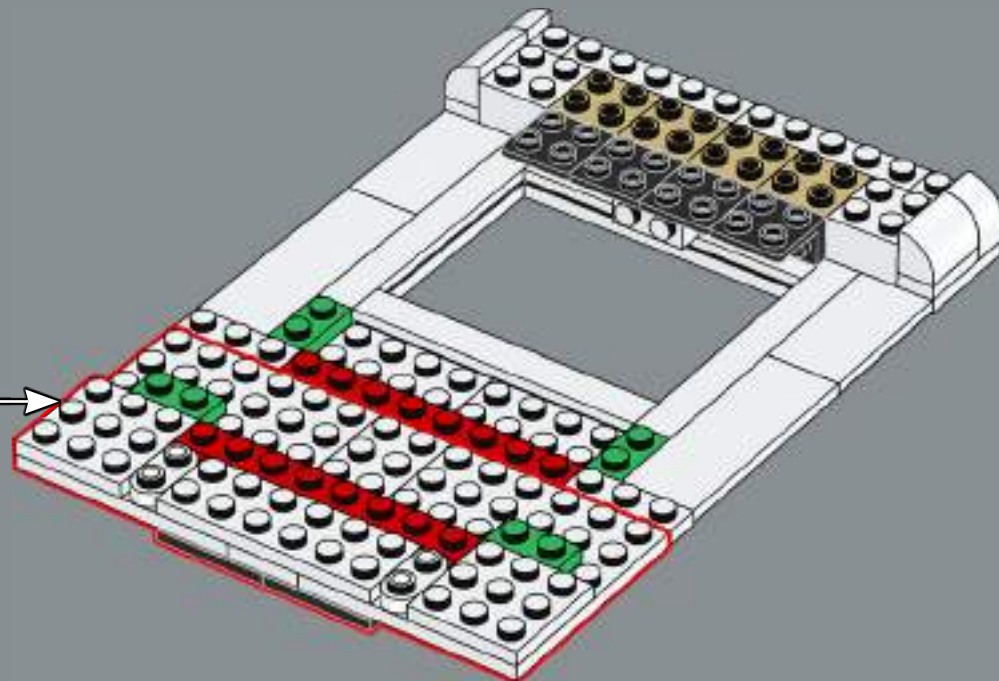
332



333

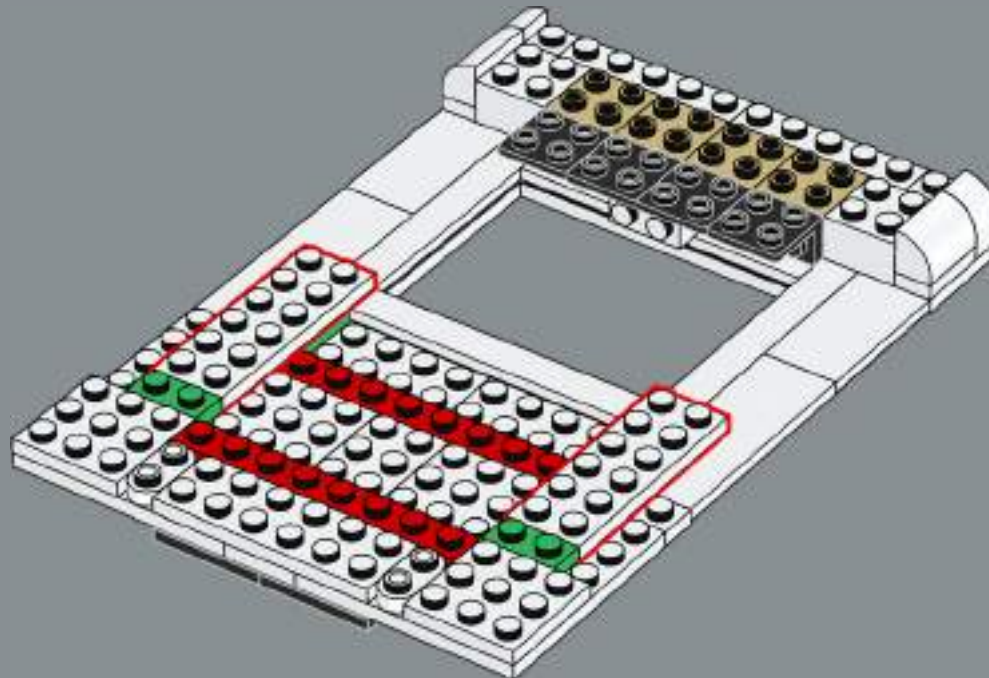


334



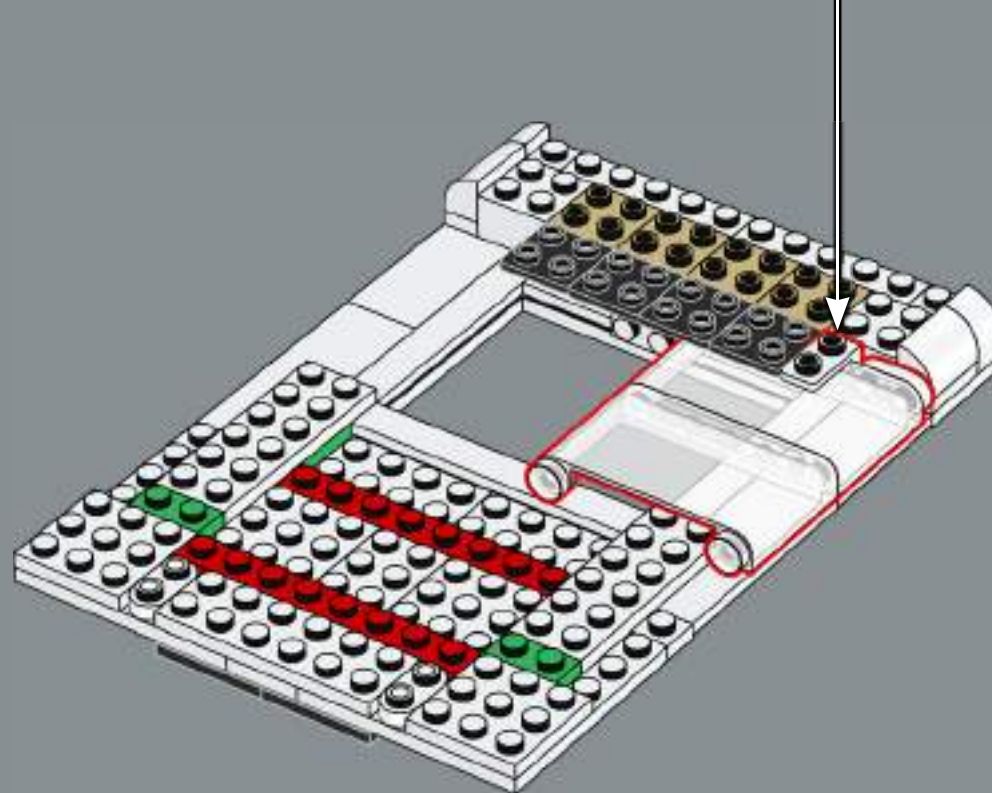
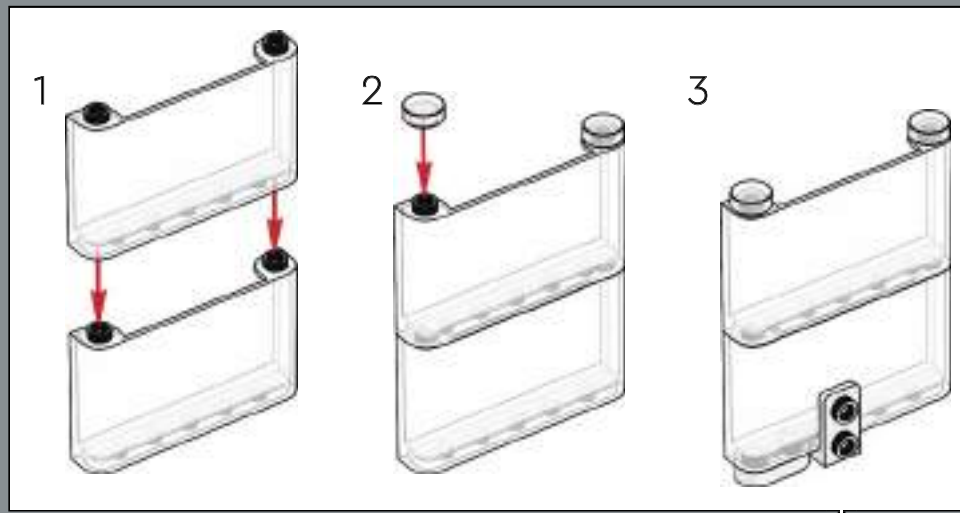


335



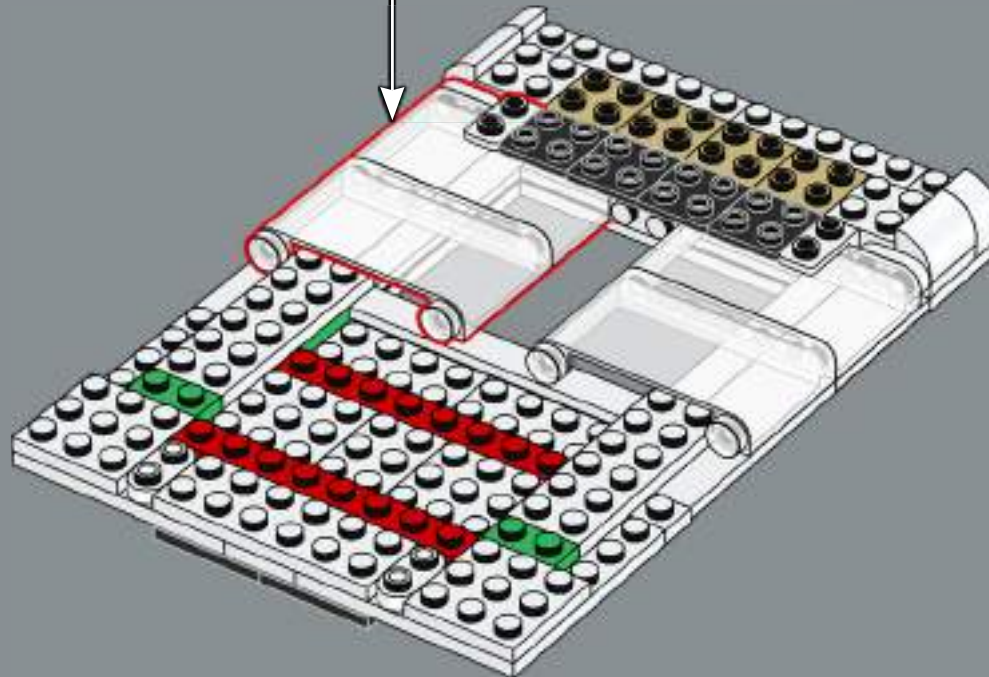
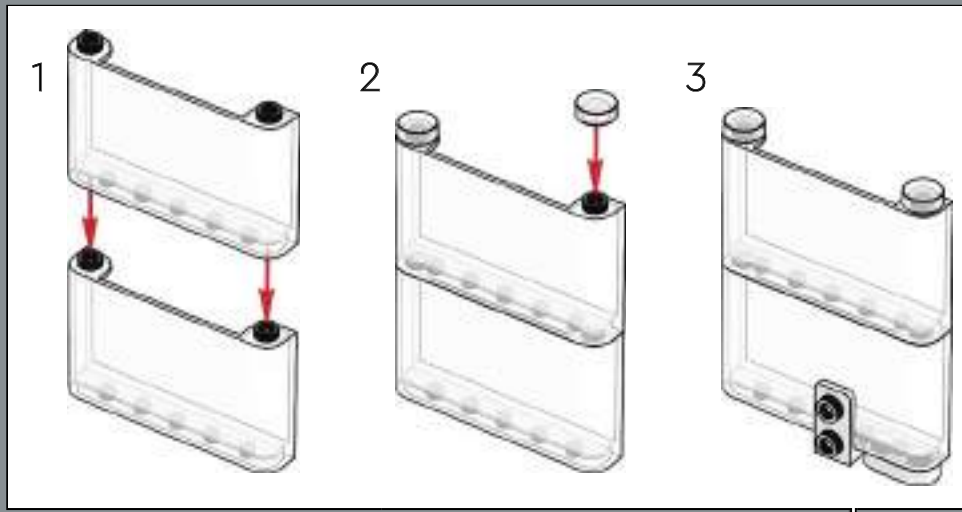


336



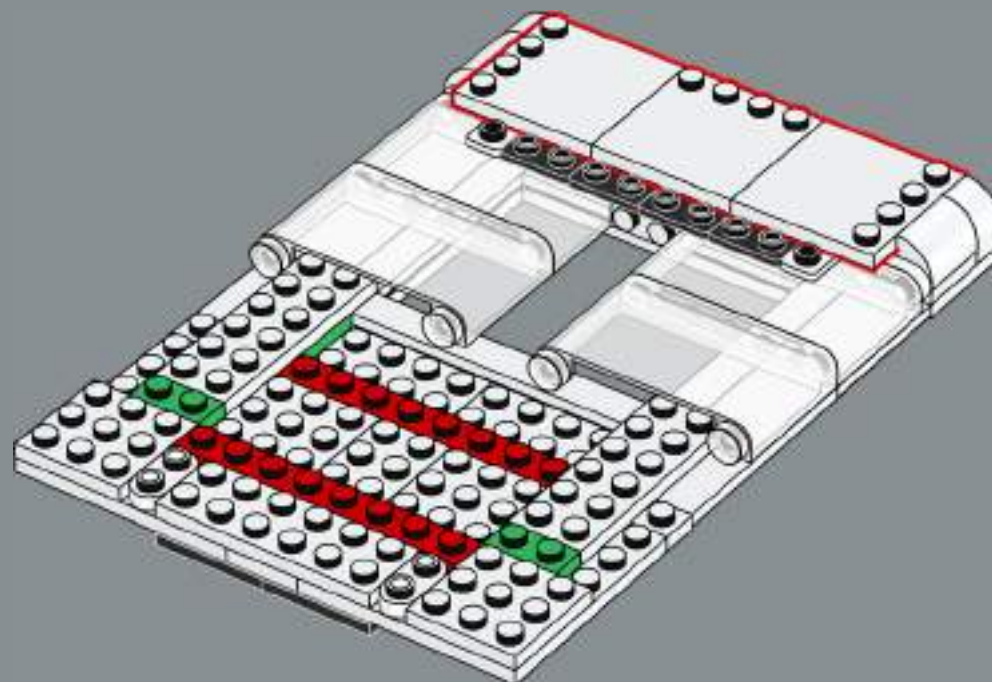


337



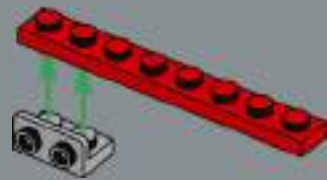


338

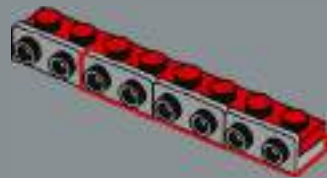




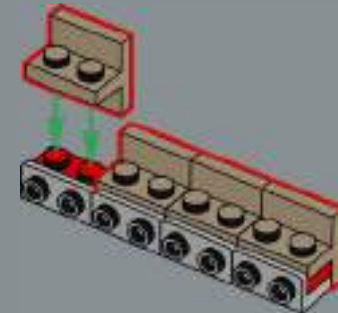
339



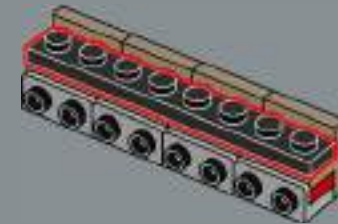
340



341

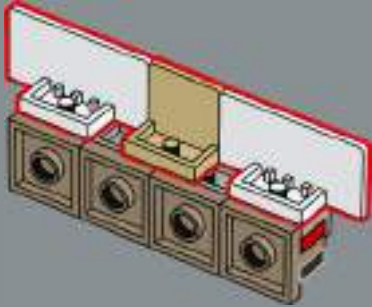


342

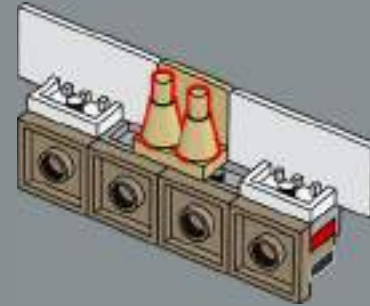




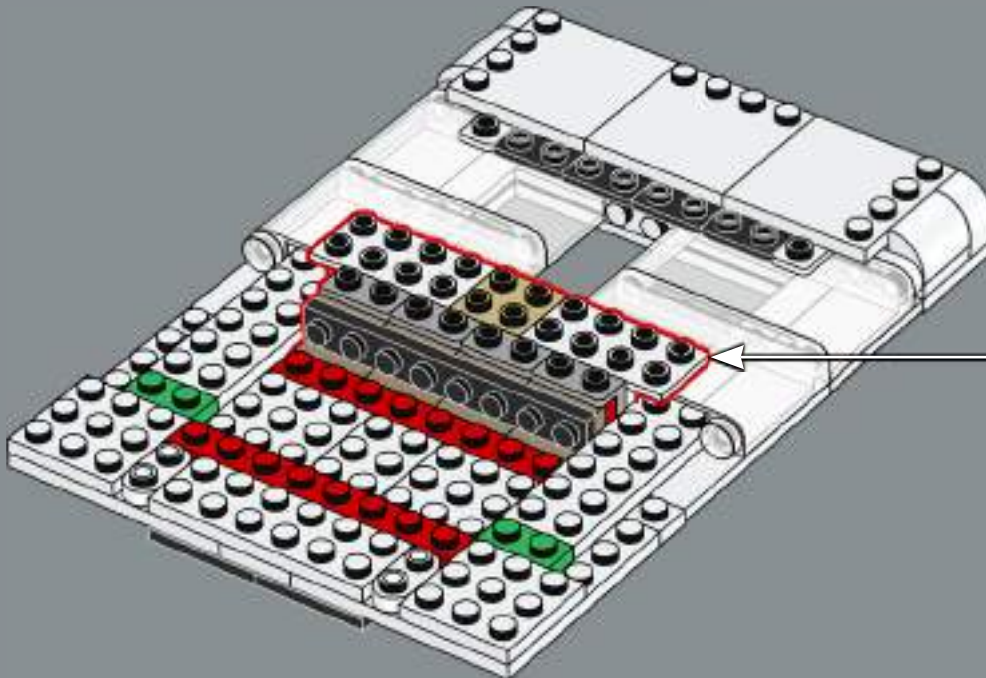
343

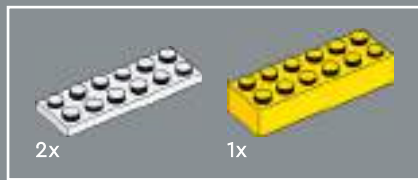


344

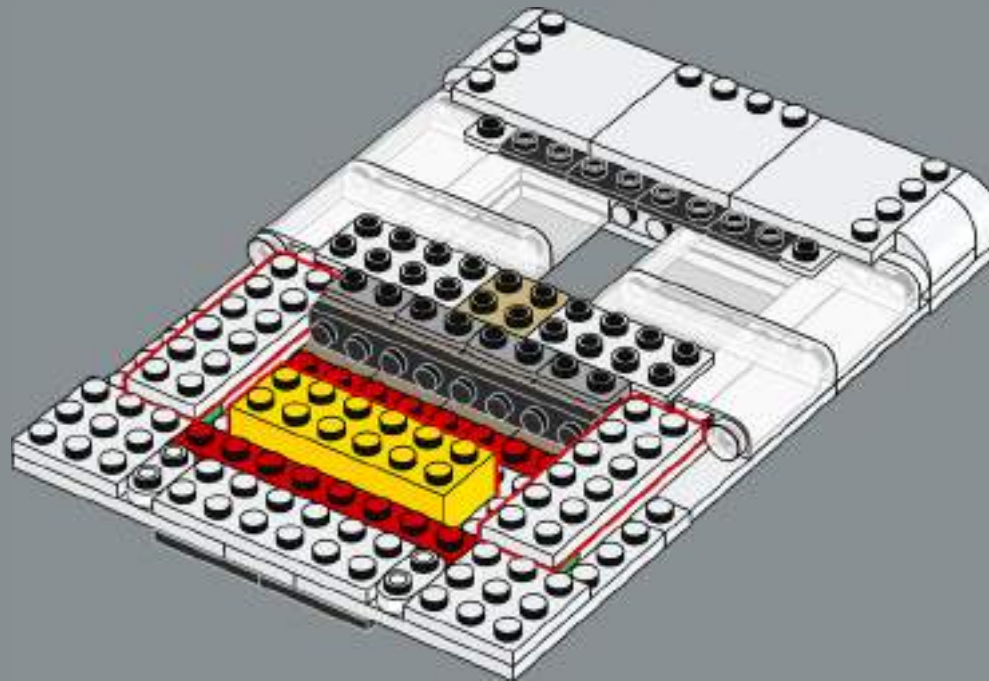


345



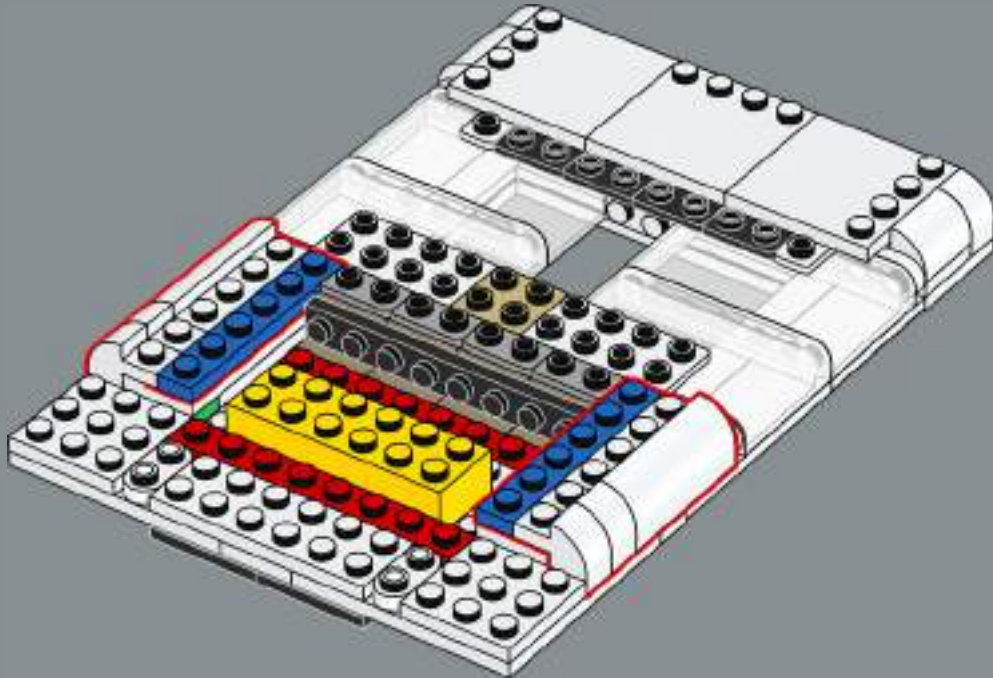


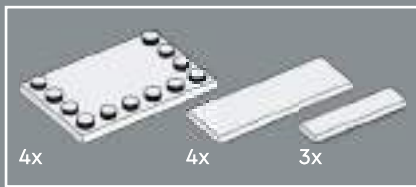
346



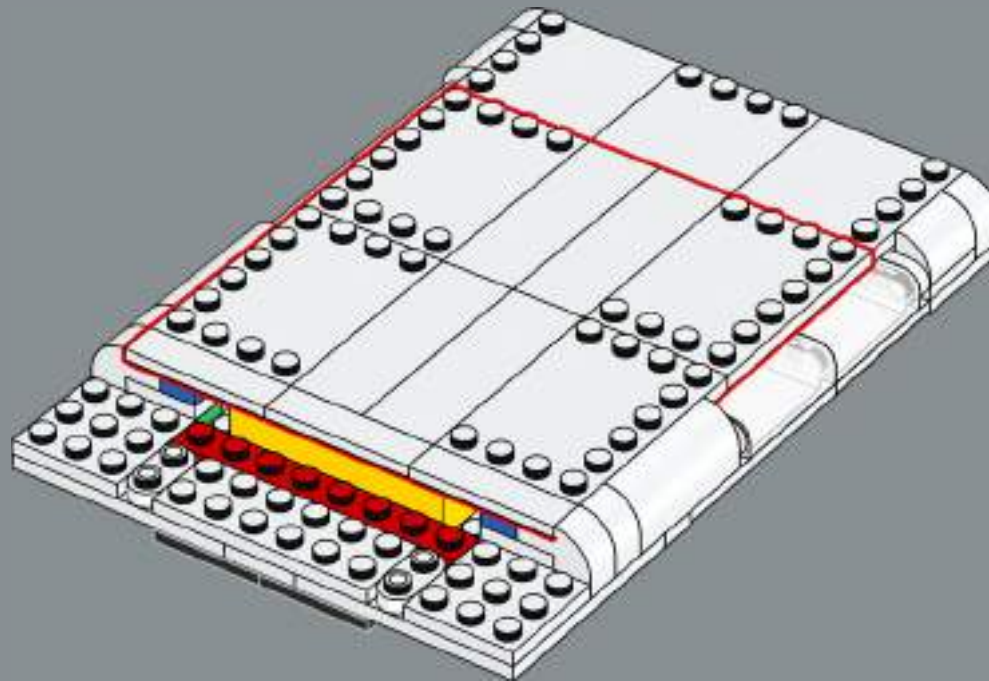


347



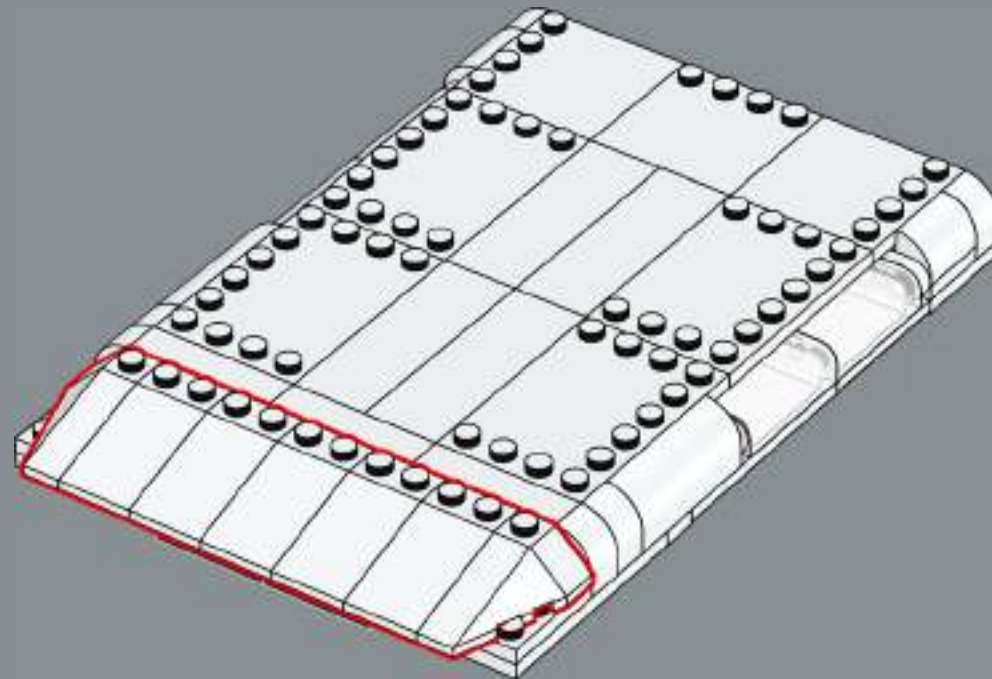


348



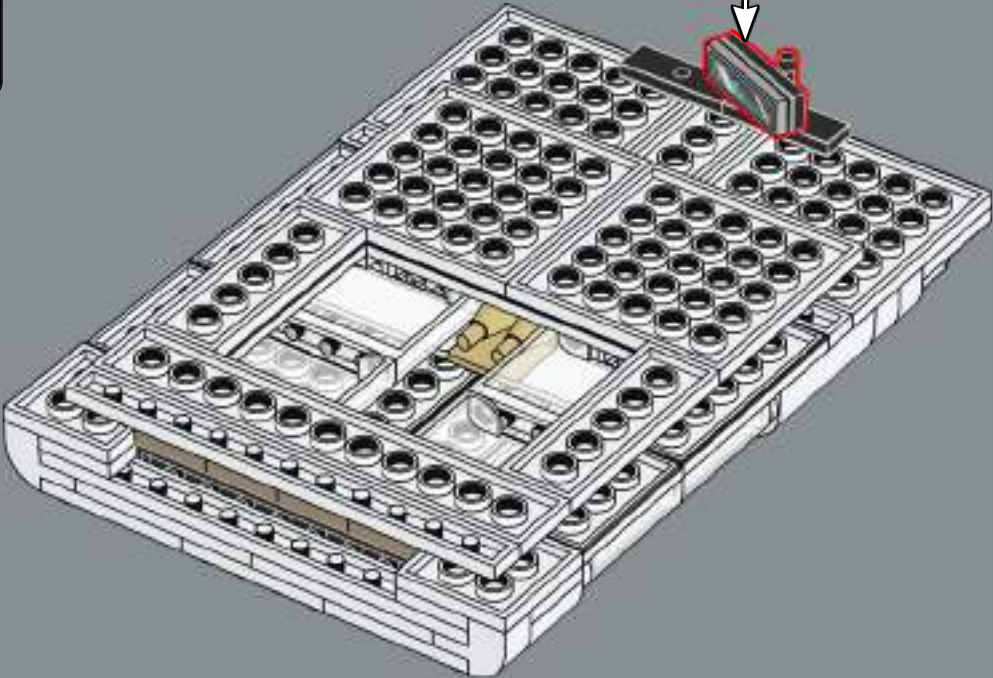
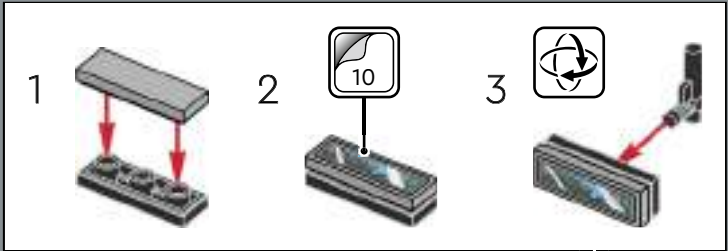


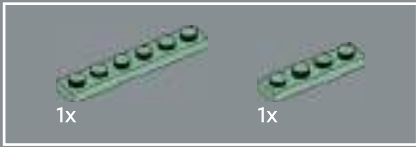
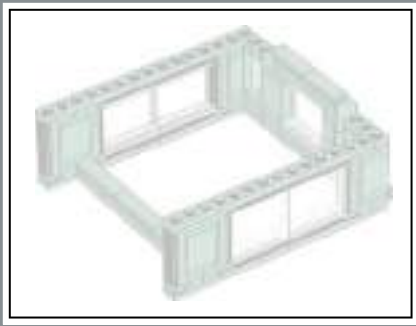
349



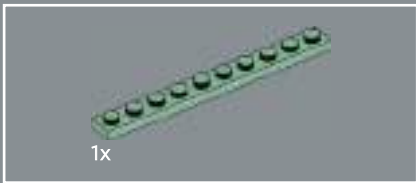
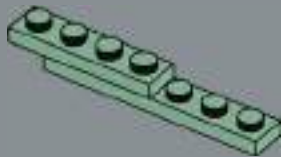


350

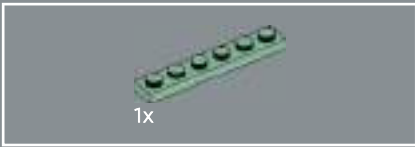
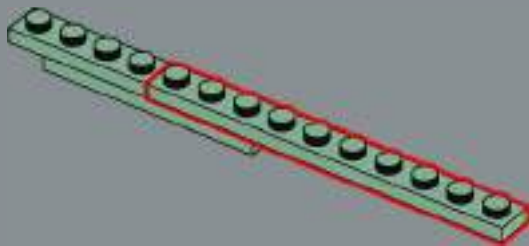




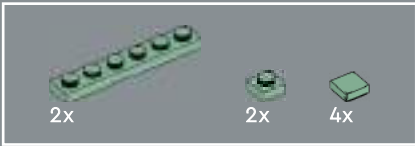
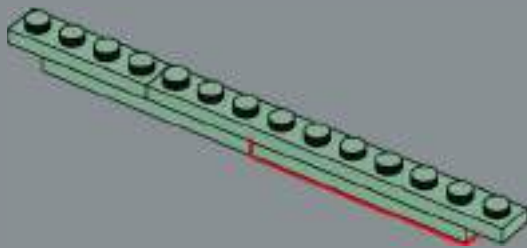
351



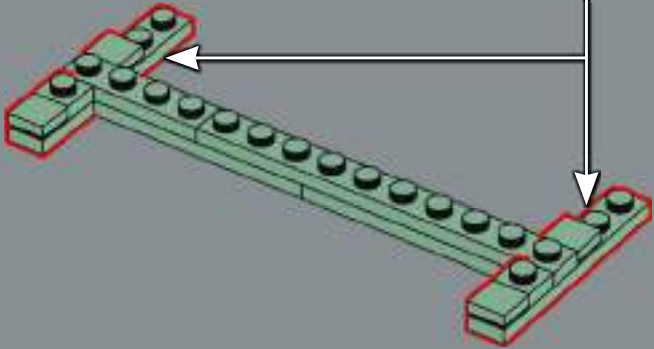
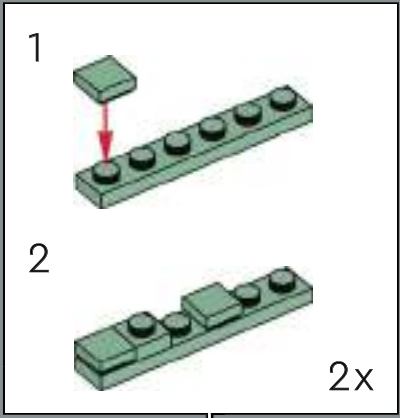
352



353

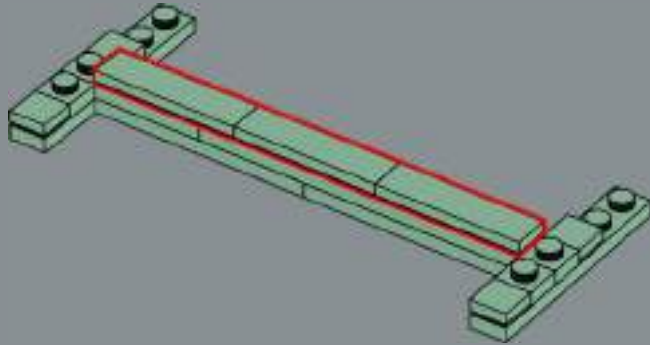


354

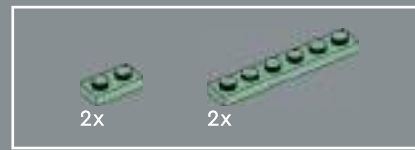
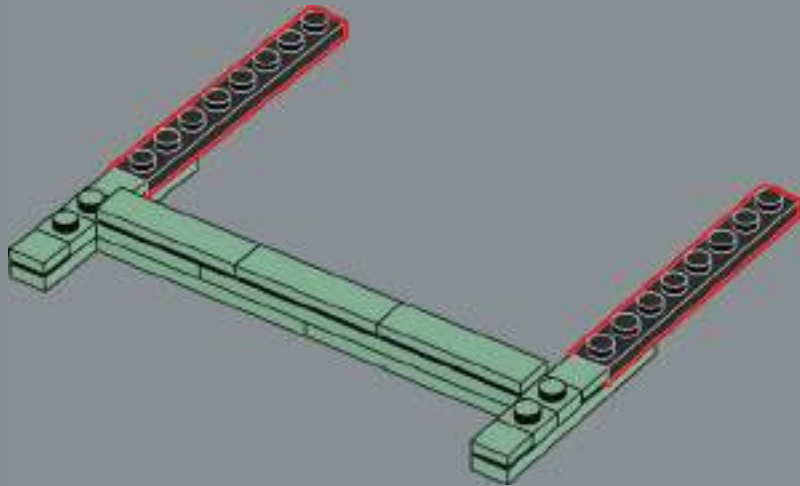




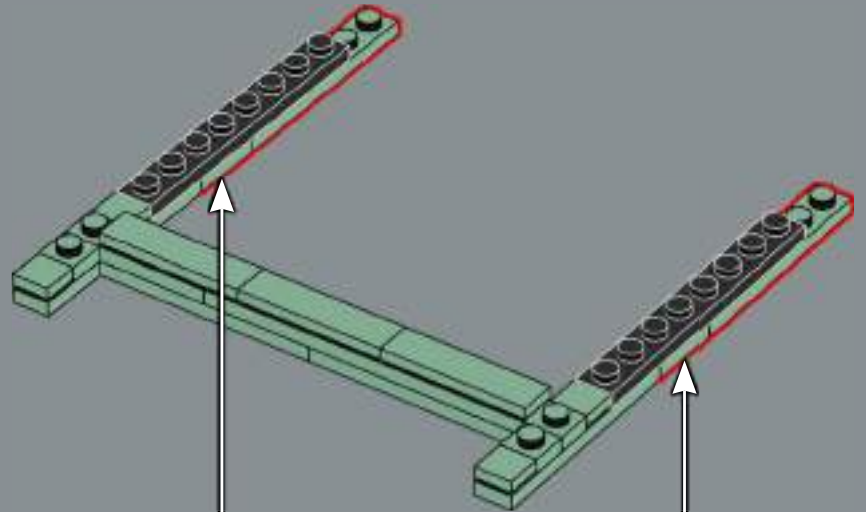
355



356

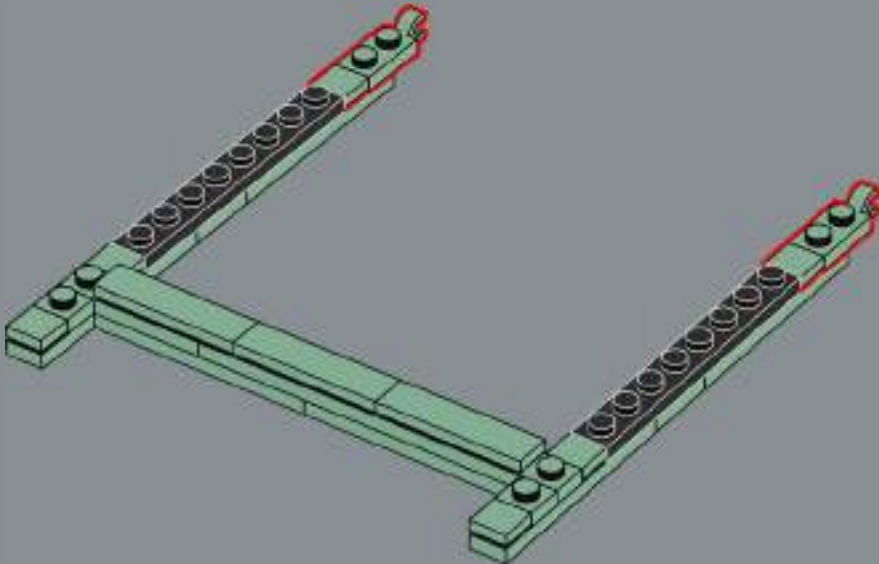


357

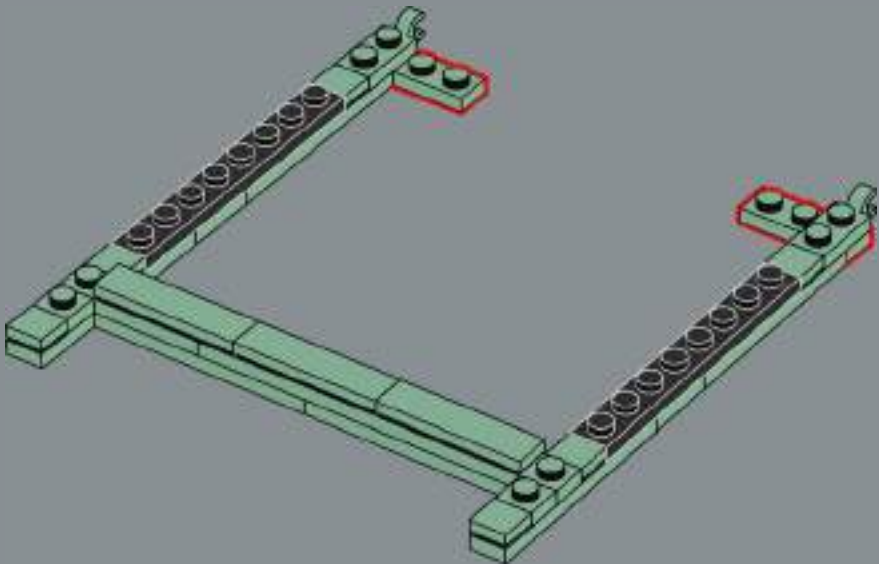




358

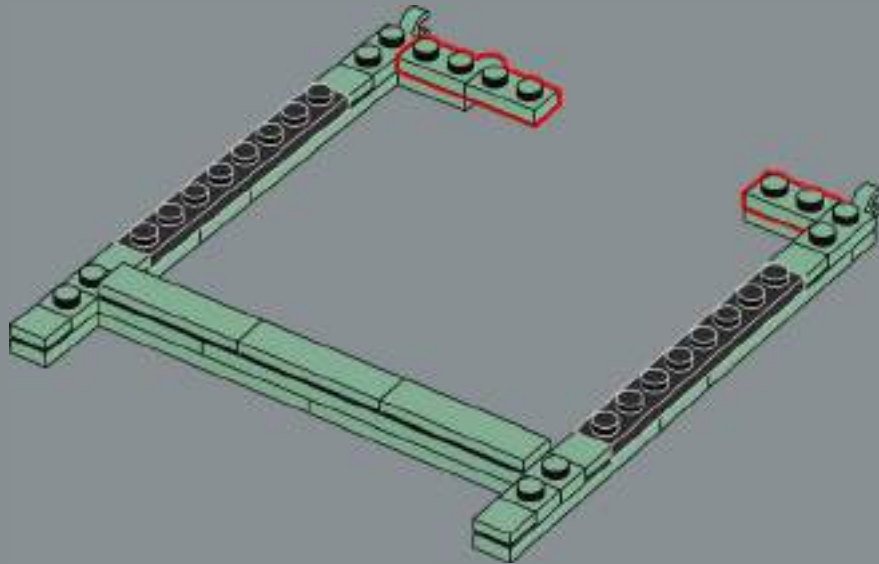


359

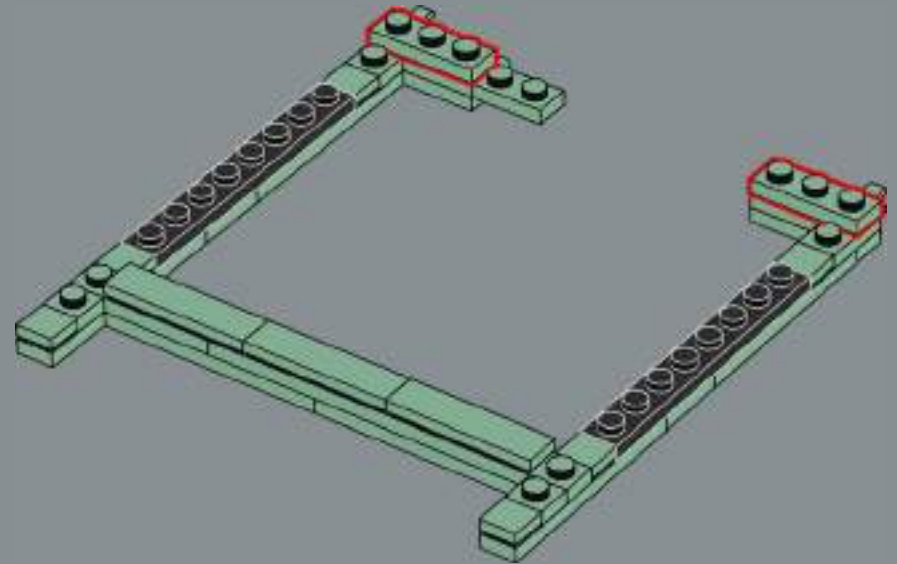




360

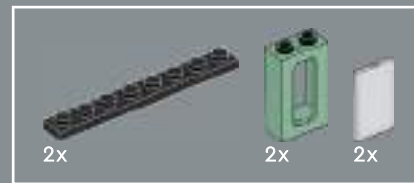
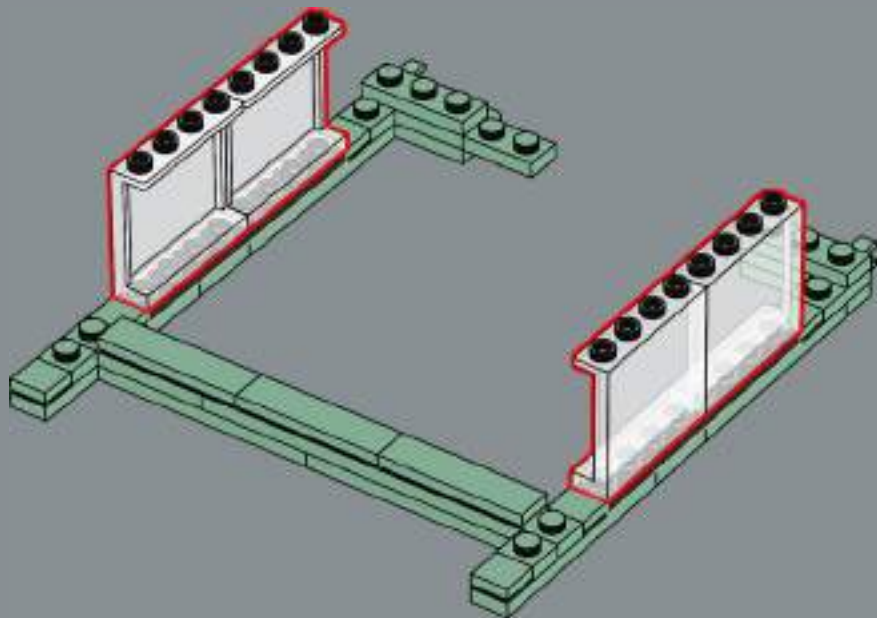


361

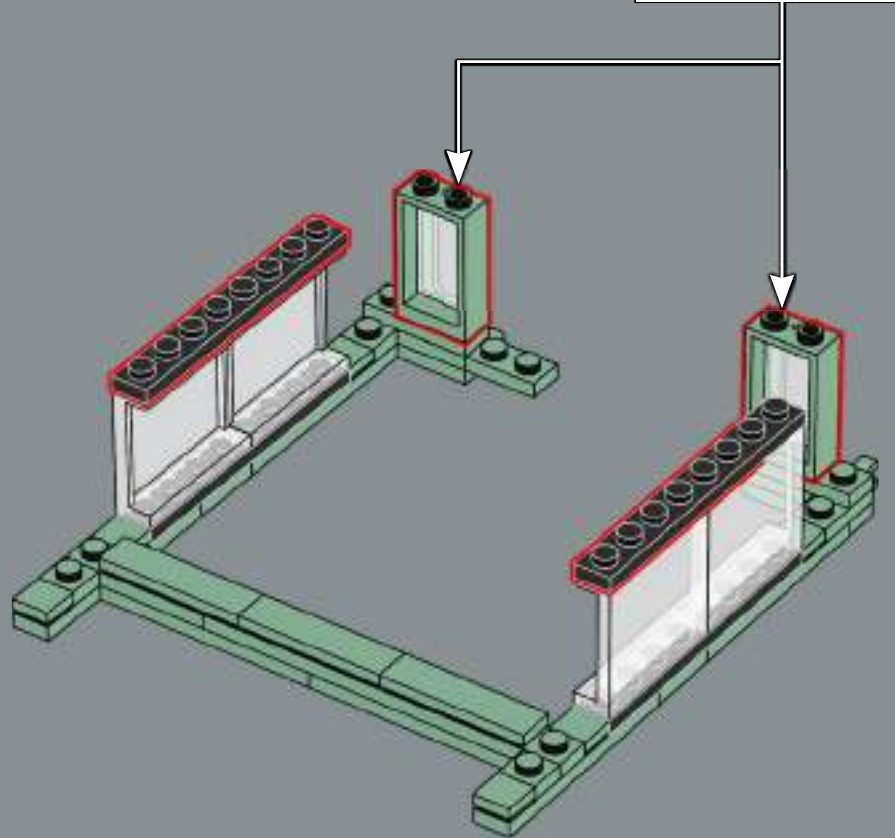
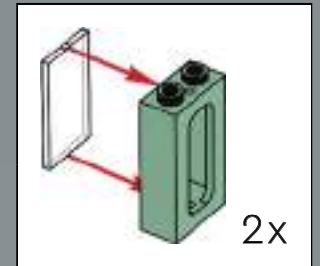


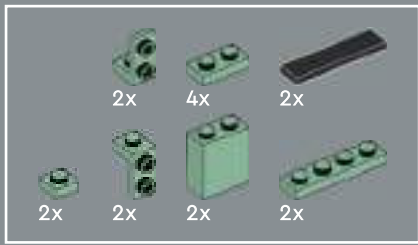


362

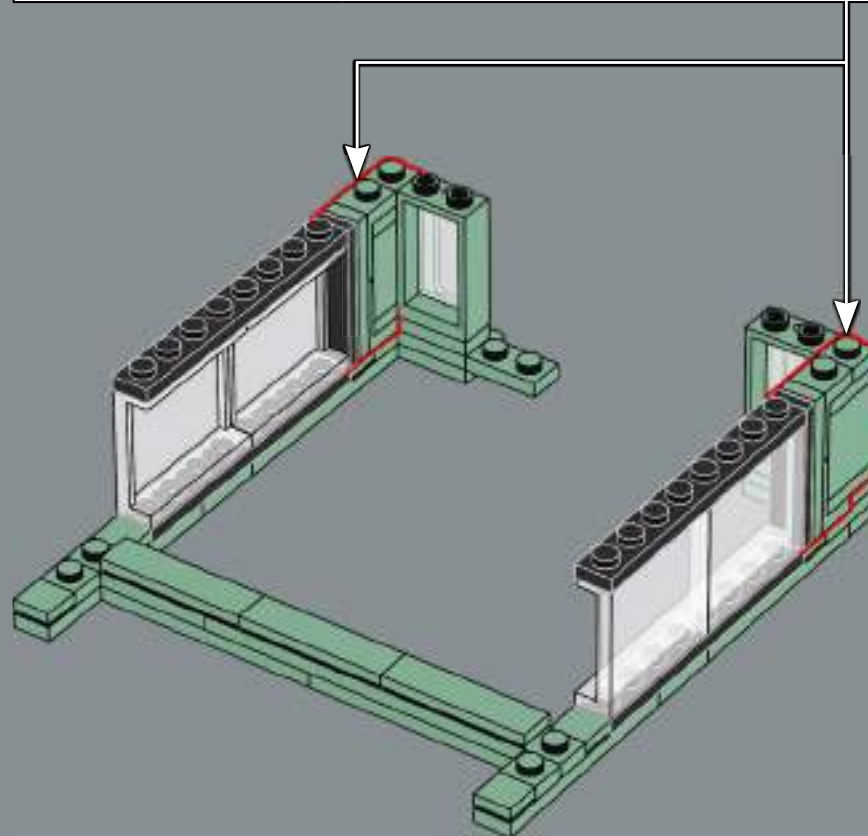
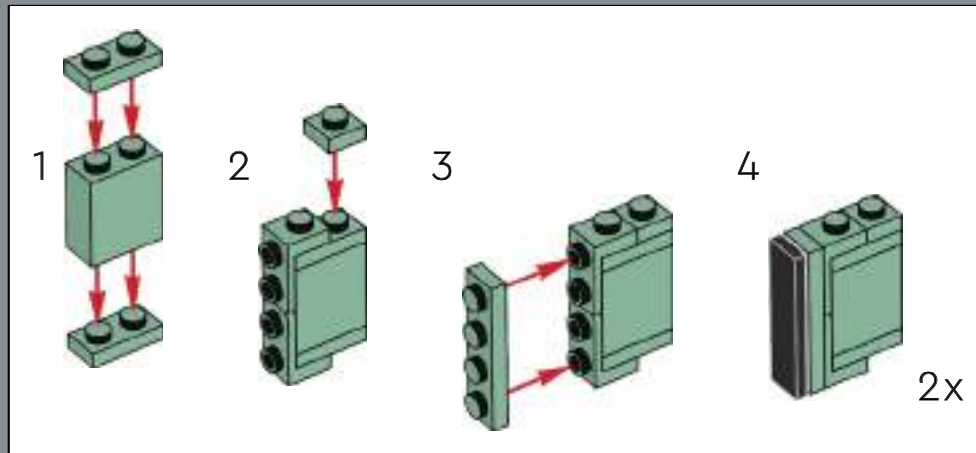


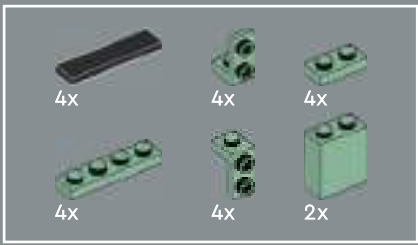
363



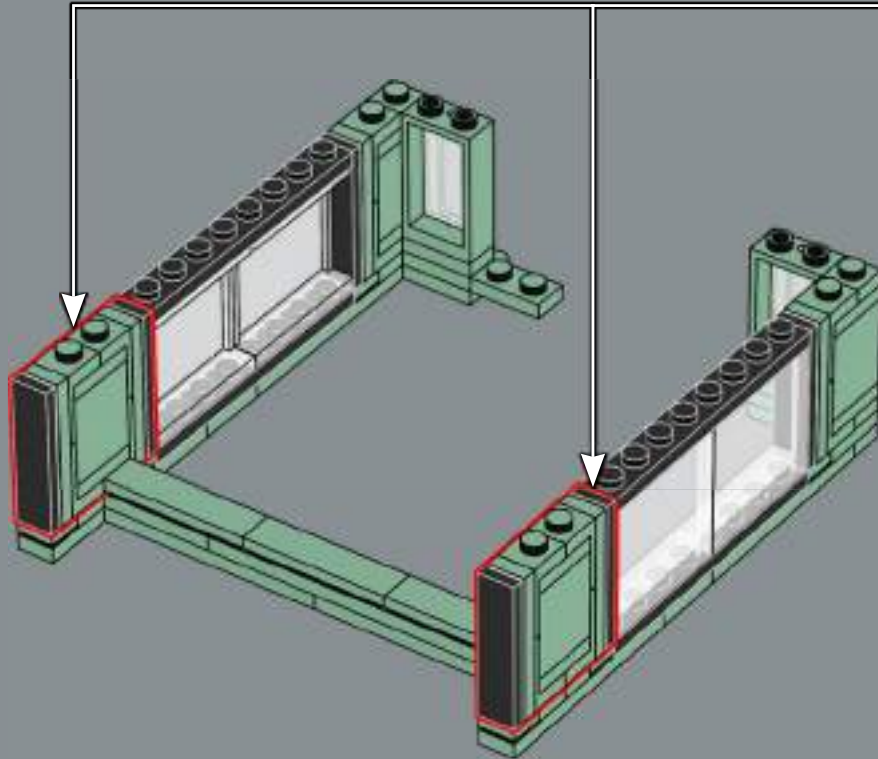
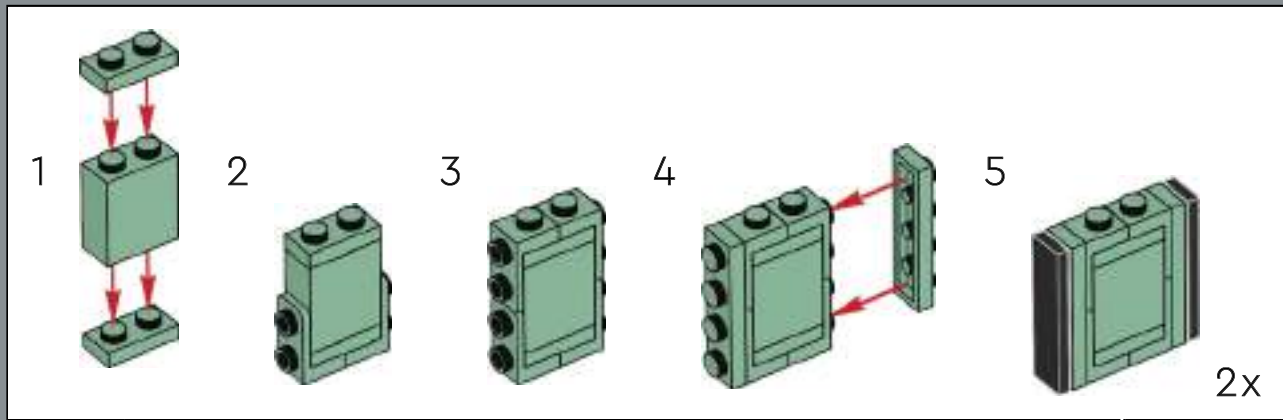


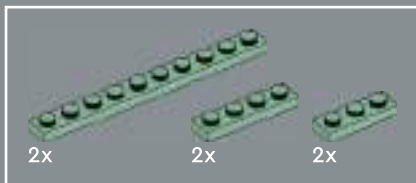
364



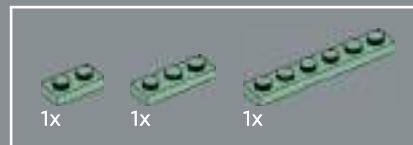
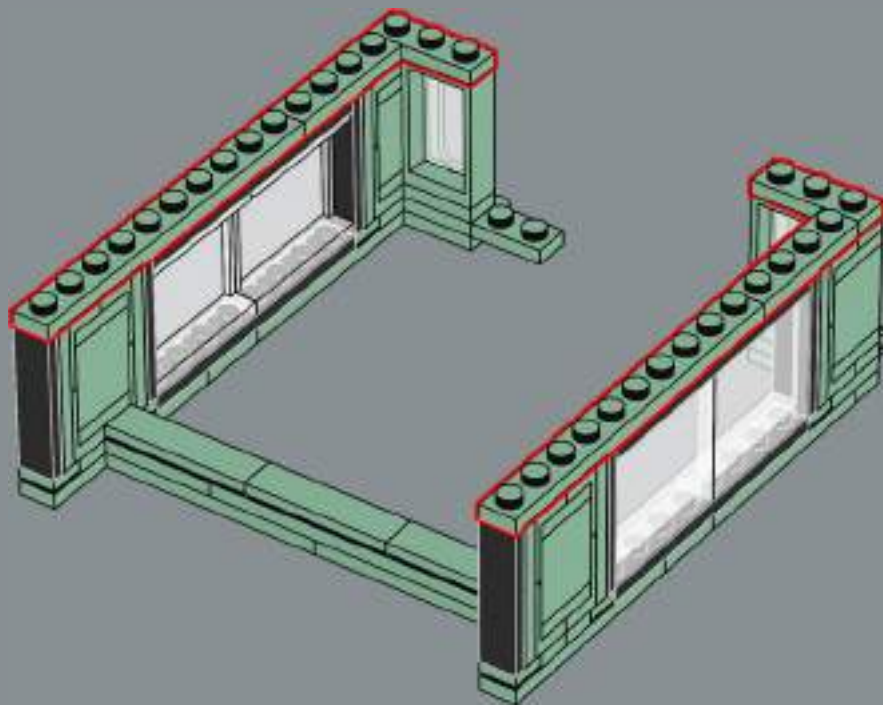


365

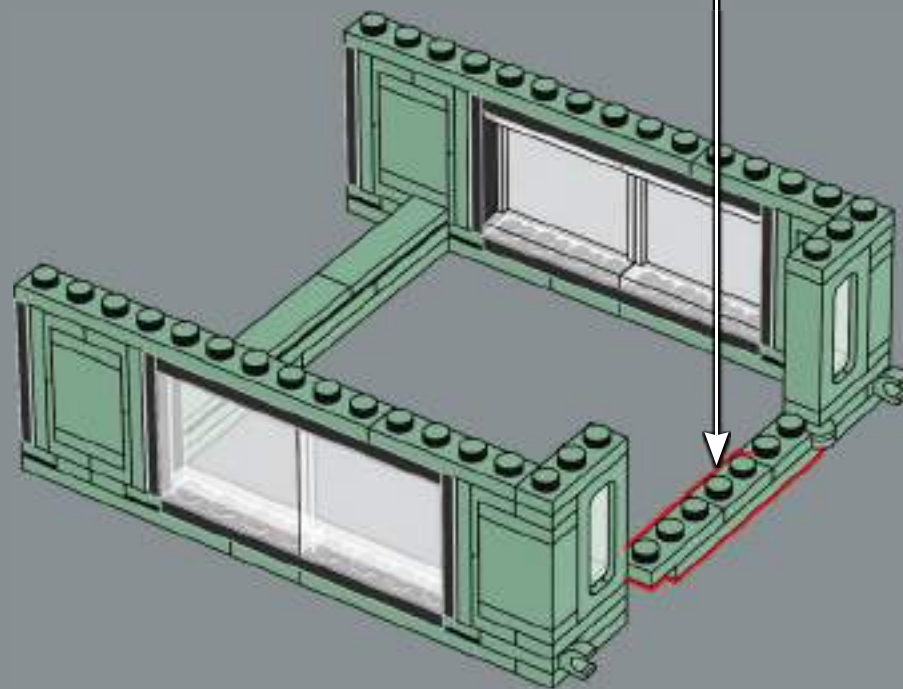
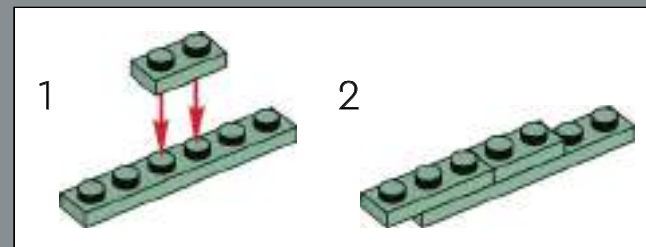


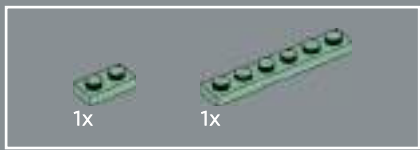


366

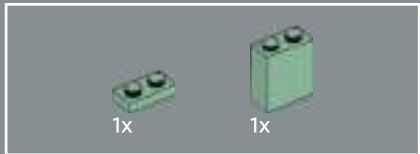
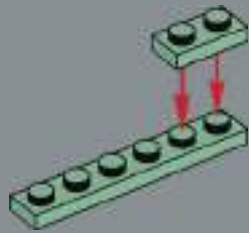


367

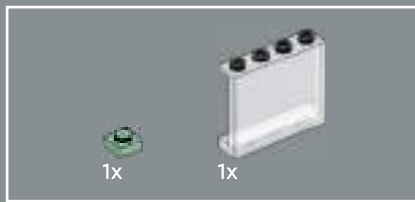
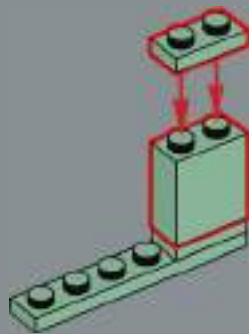




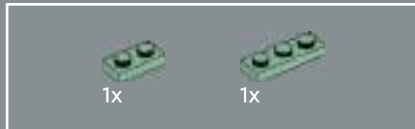
368



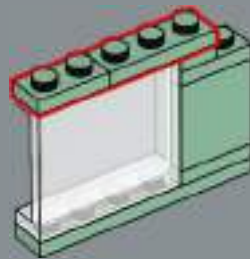
369



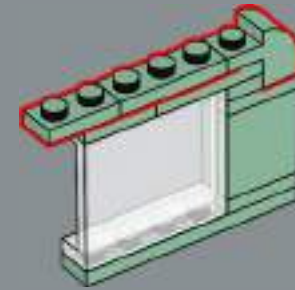
370



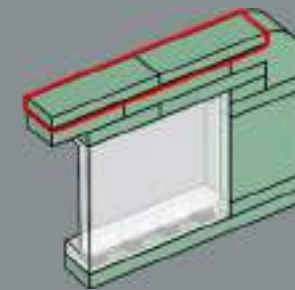
371



372

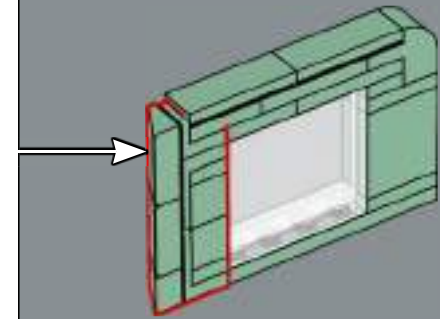
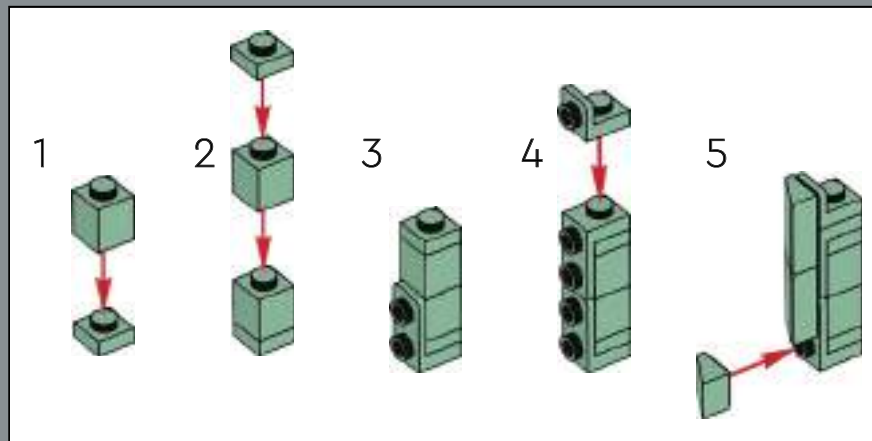


373

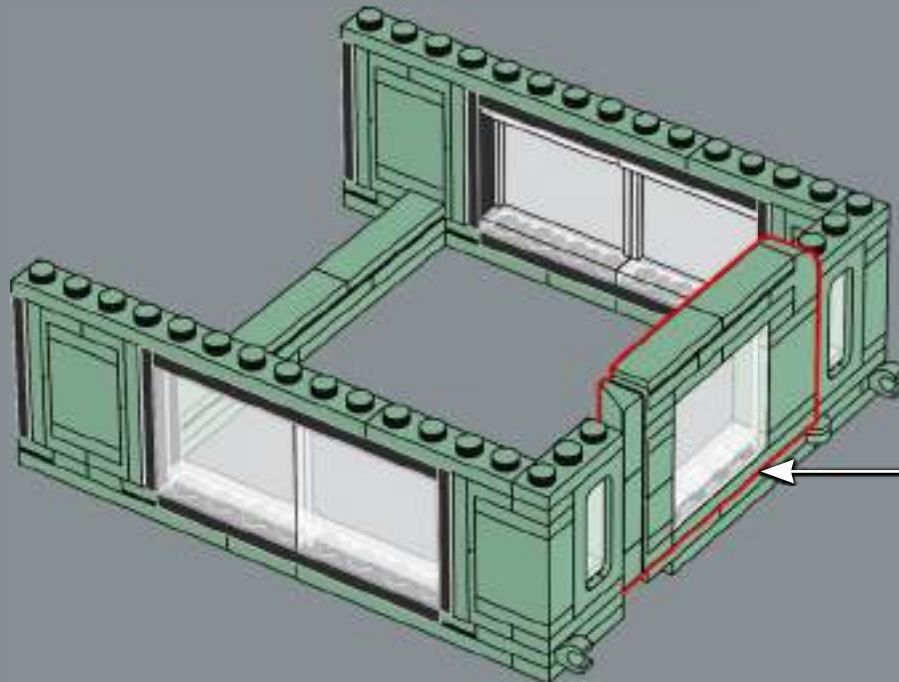





374

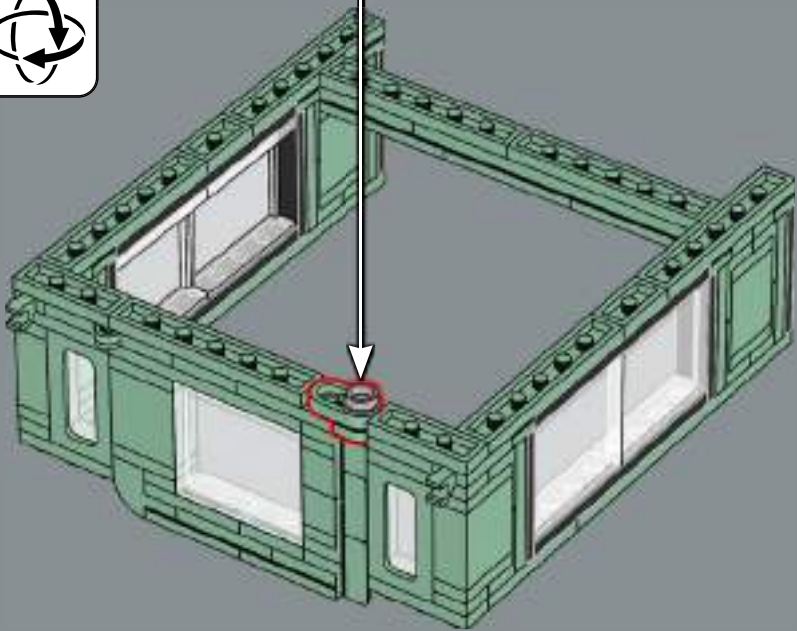
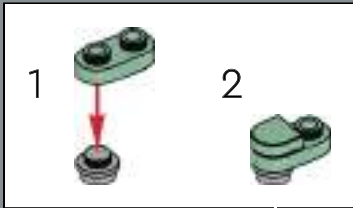


375

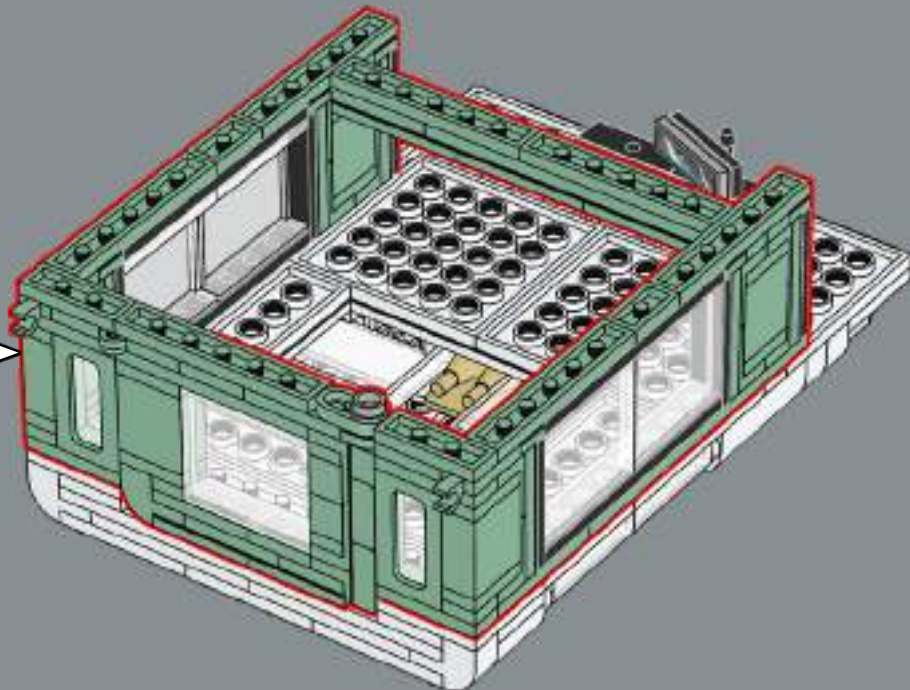


- 
 1x
- 
 1x
- 
 1x

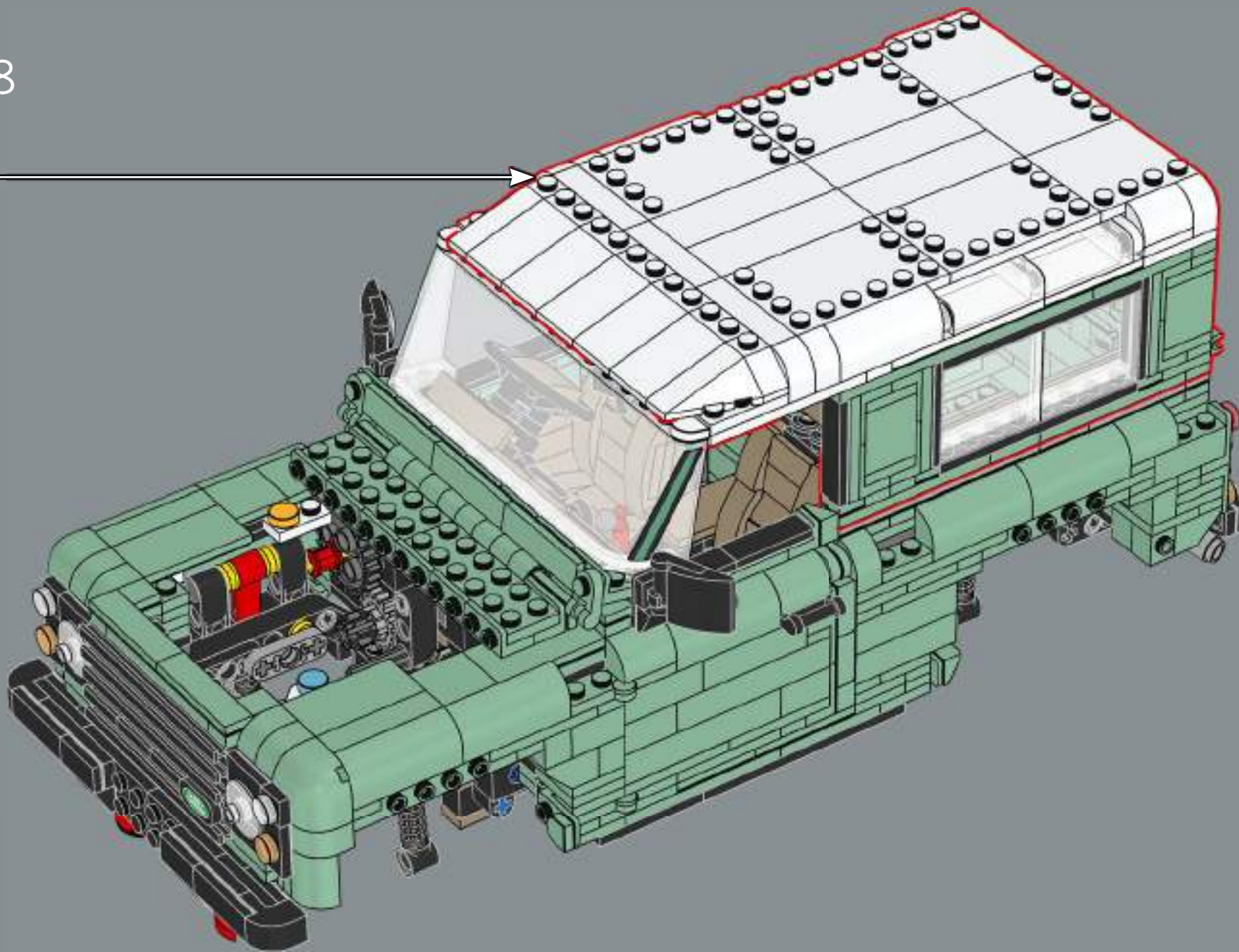
376



377

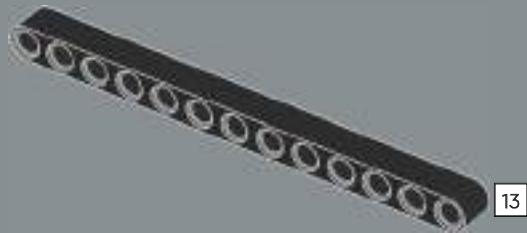


378

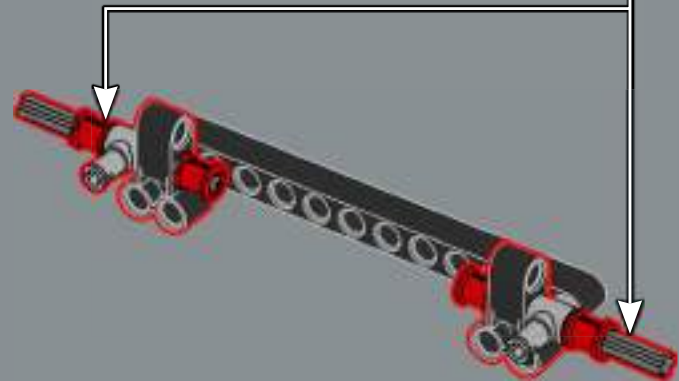
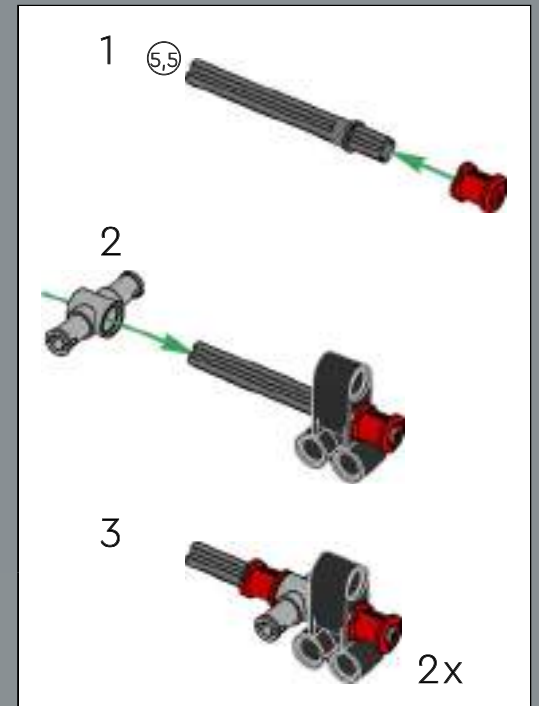


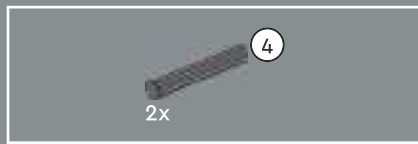


379

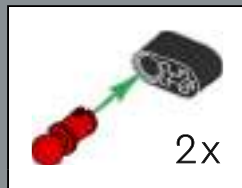
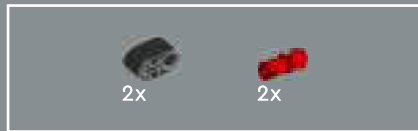
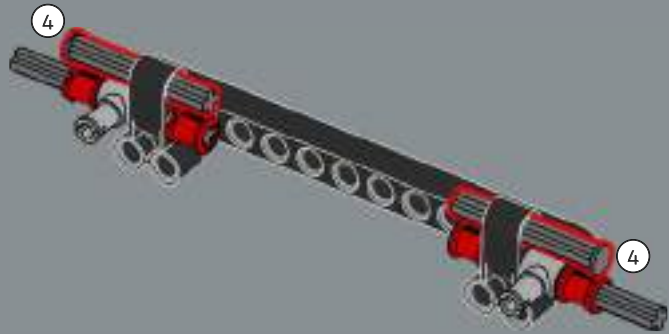


380

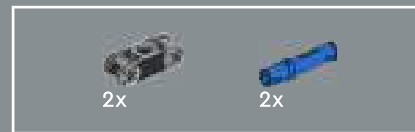
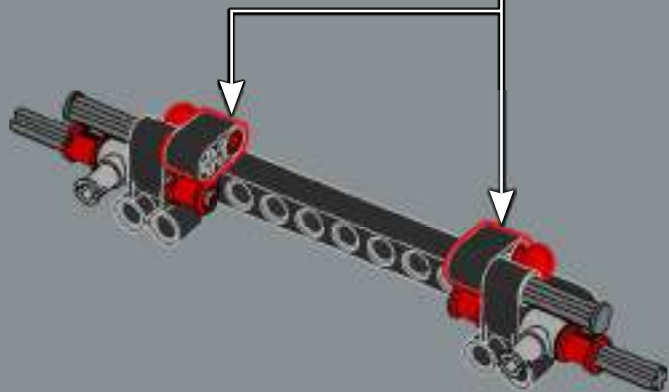




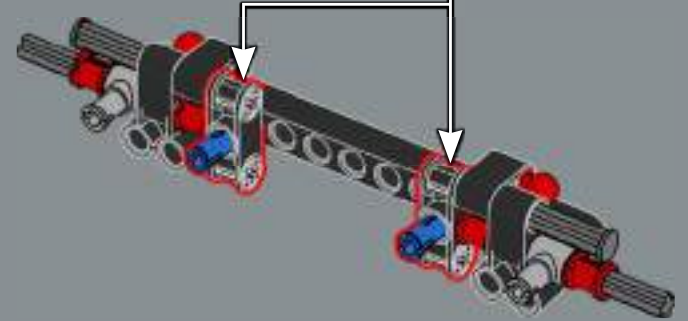
381



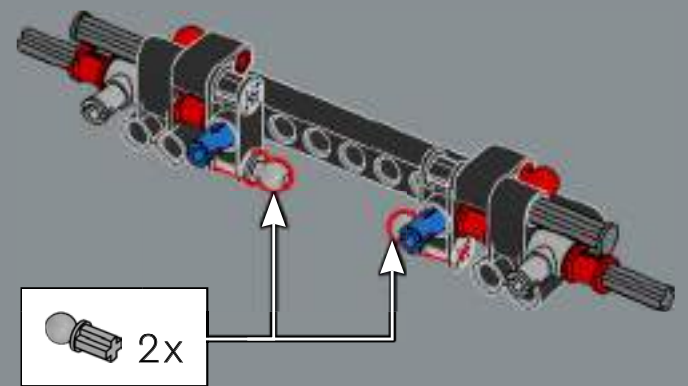
382

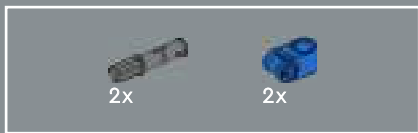


383

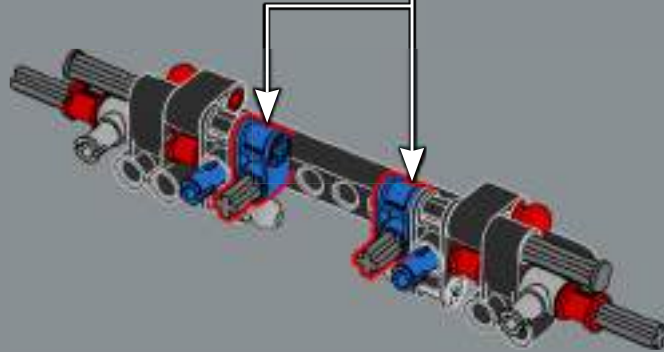
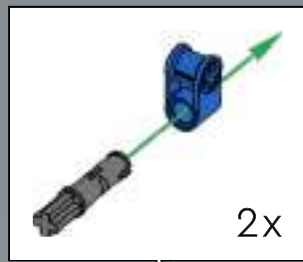


384

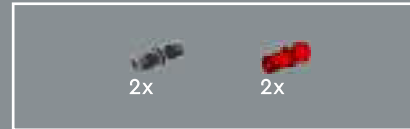
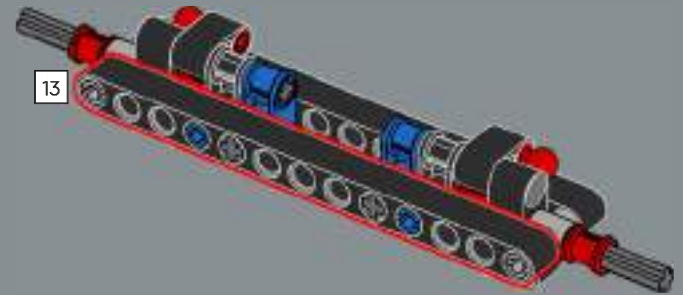




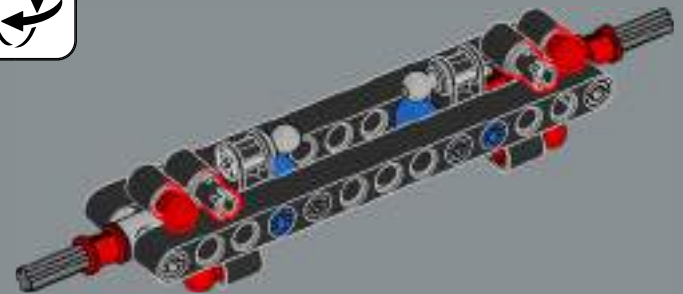
385



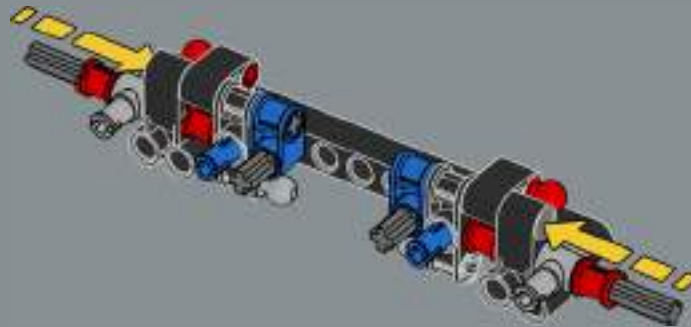
387



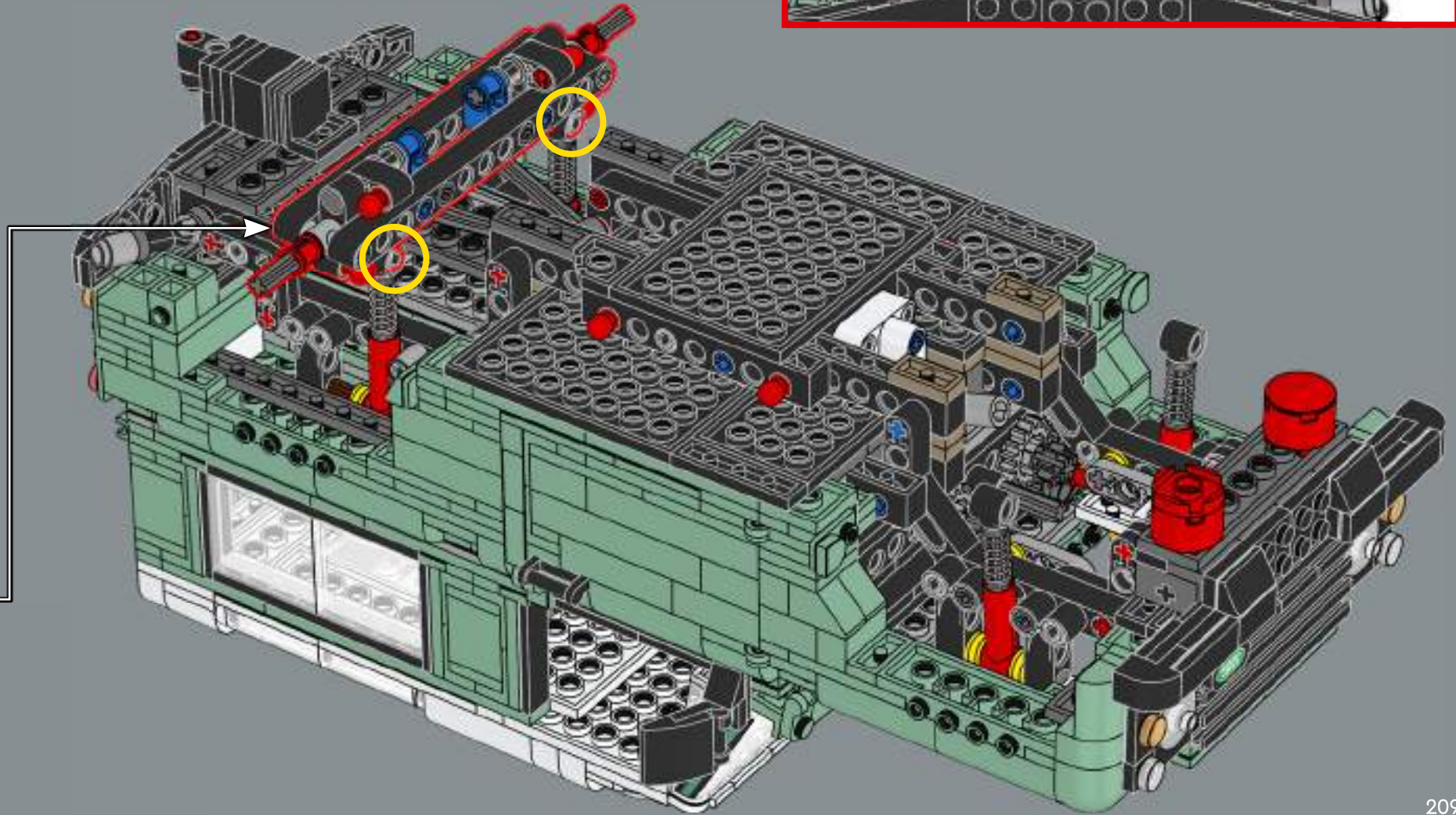
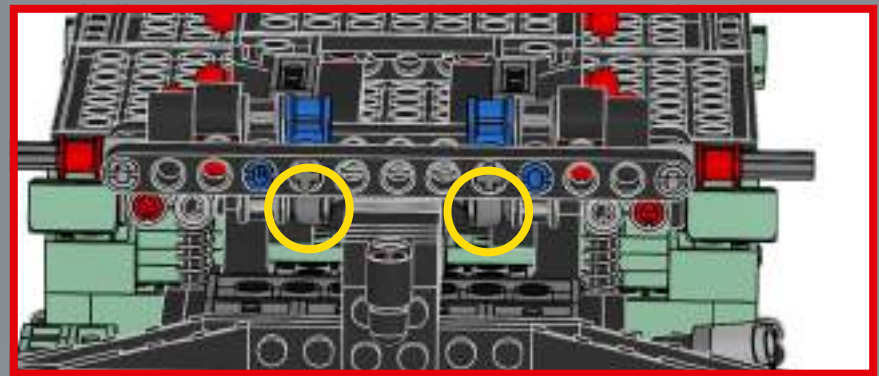
388



386

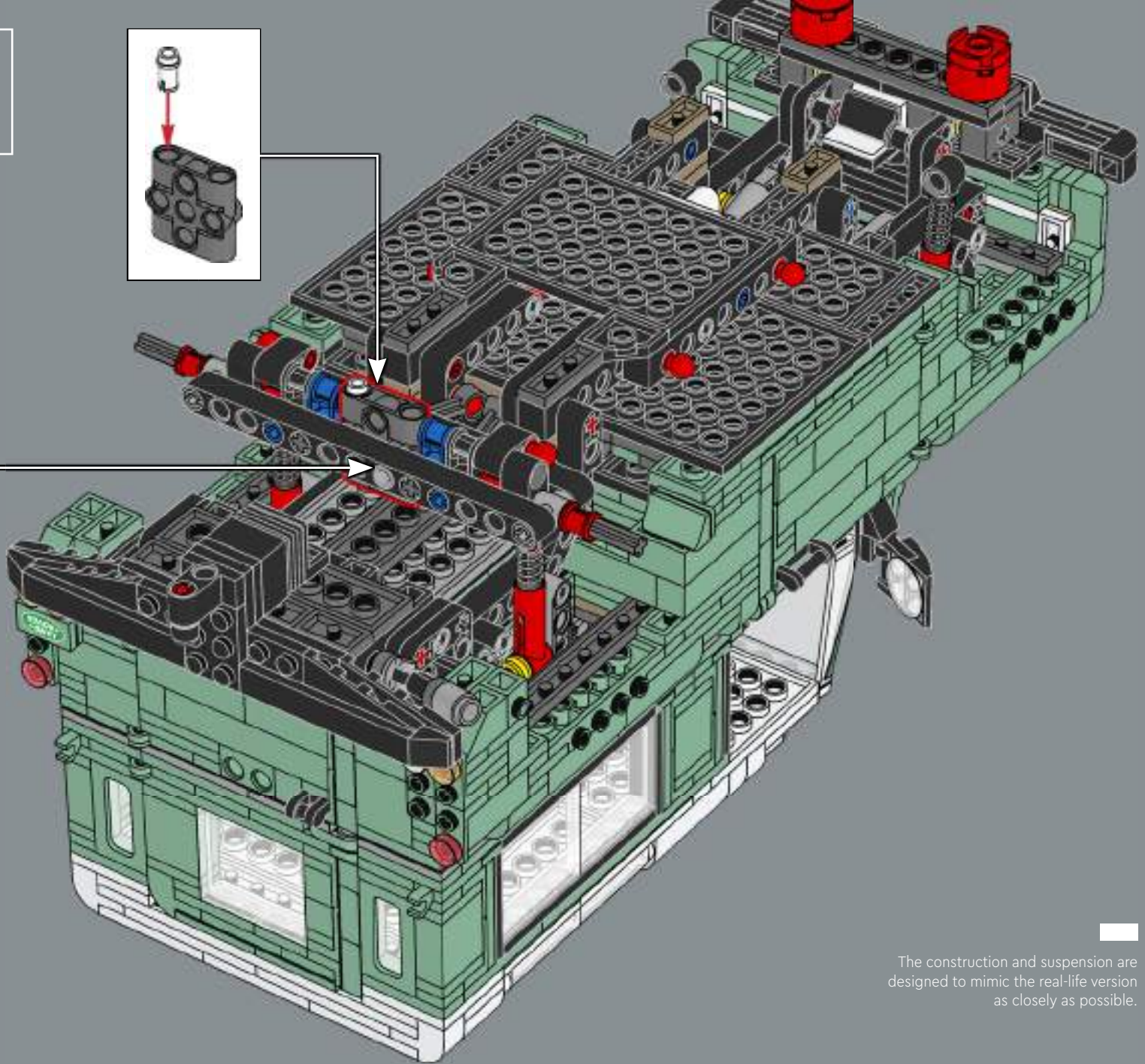
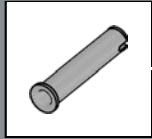


389





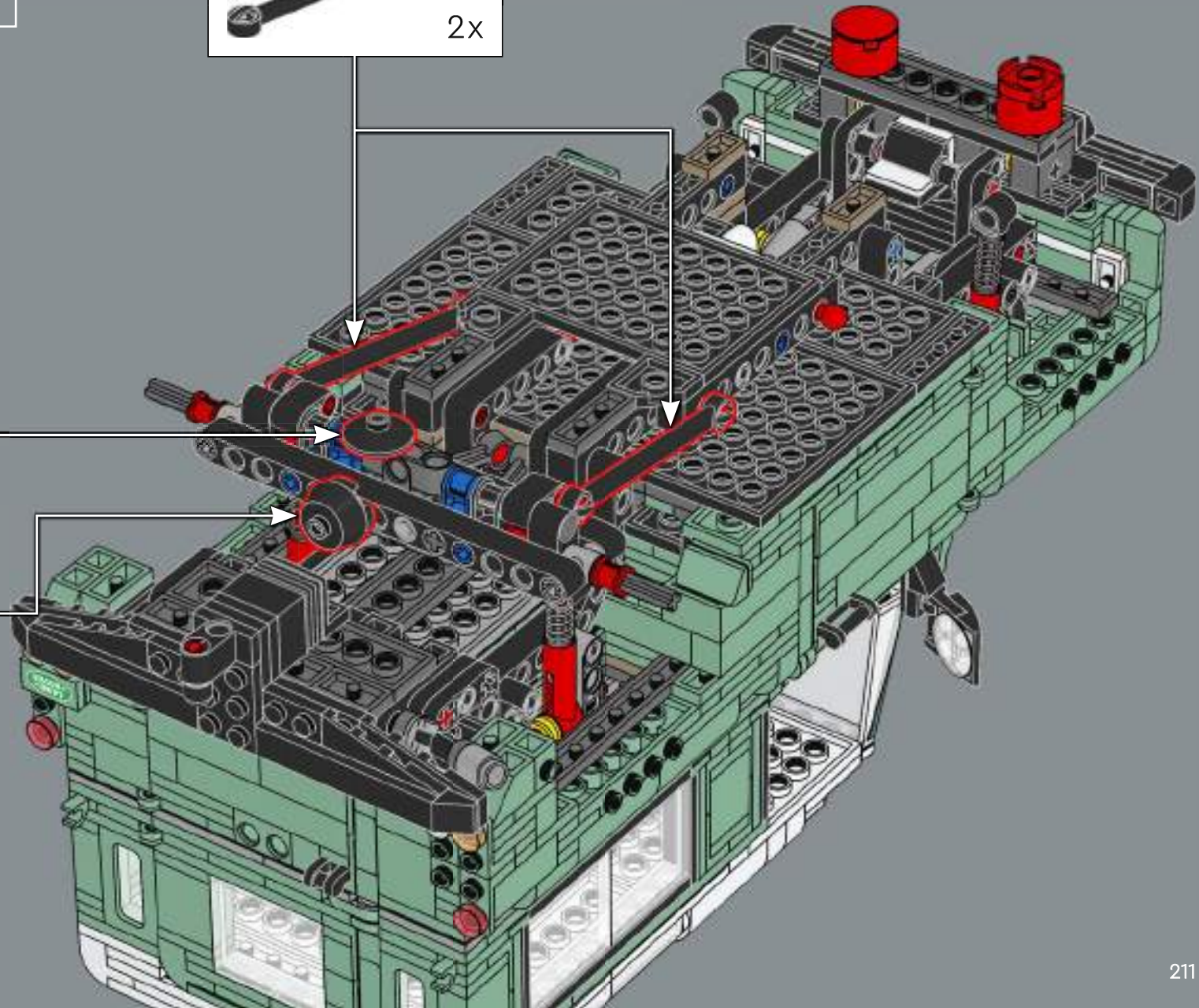
390

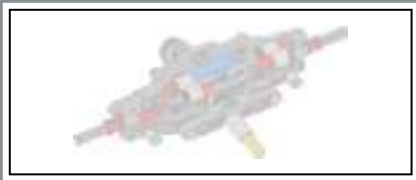


The construction and suspension are designed to mimic the real-life version as closely as possible.

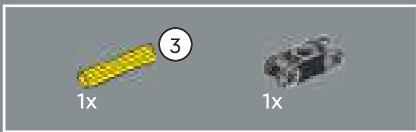
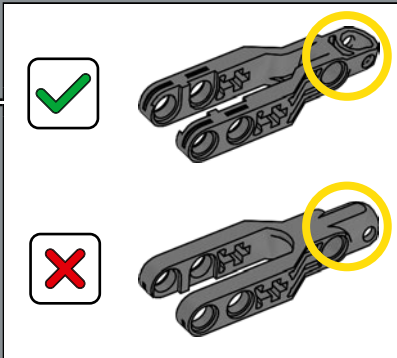


391

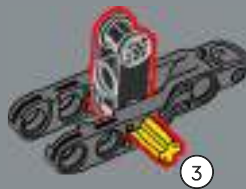




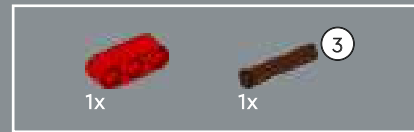
392



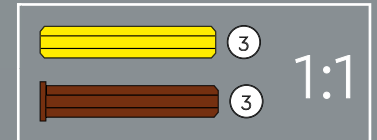
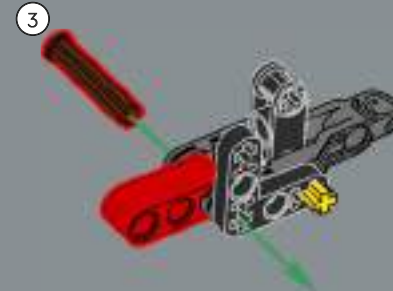
393

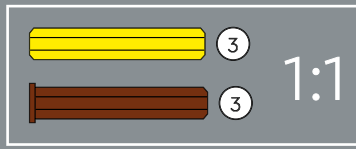
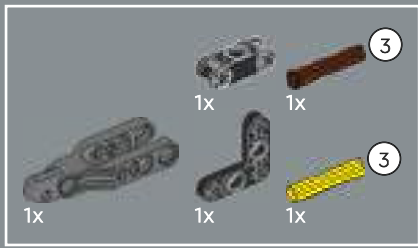


394

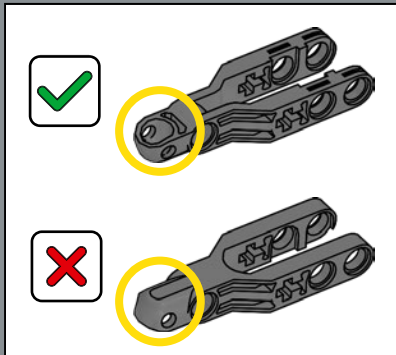


395





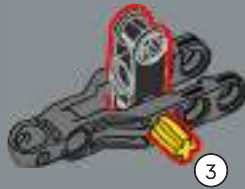
396



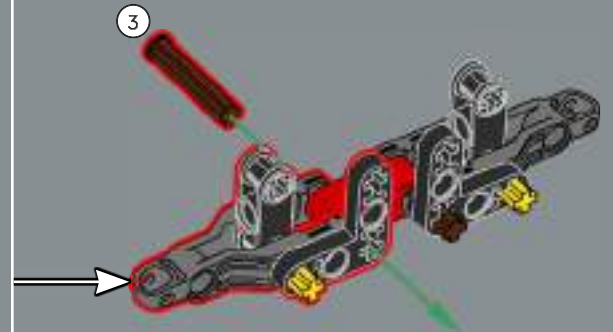
1



2



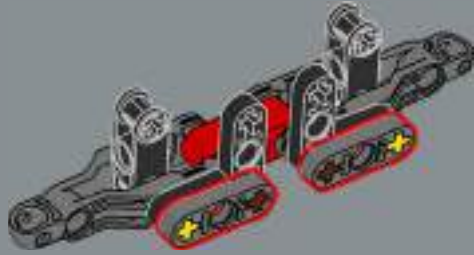
3





2x

397

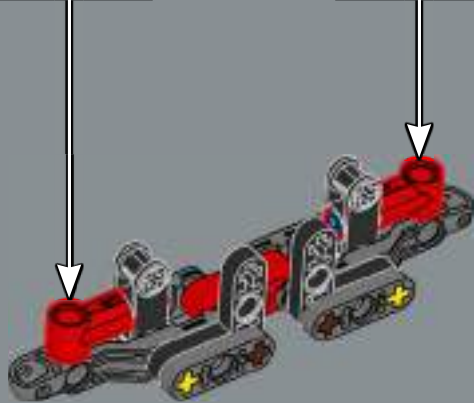


2x



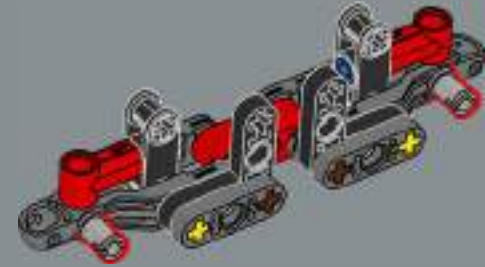
2x

398



2x

399



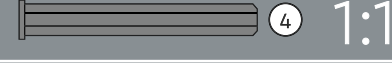
2x



2x



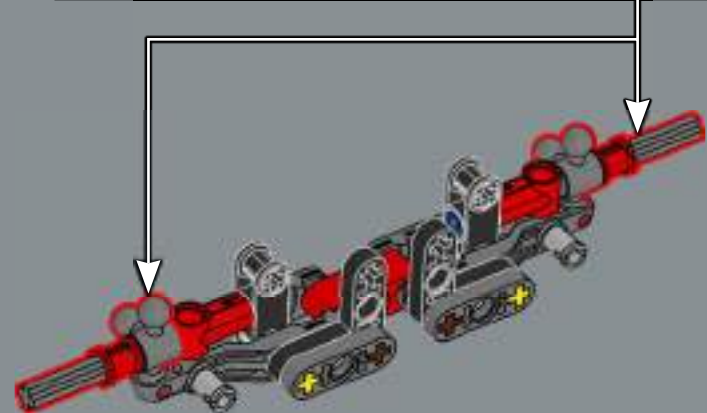
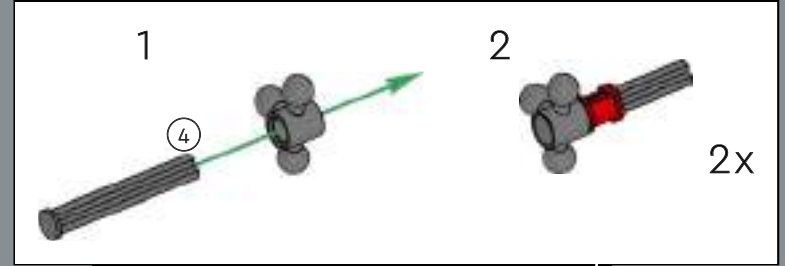
2x



4

1:1

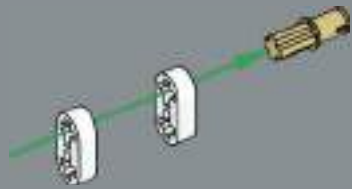
400





401

1



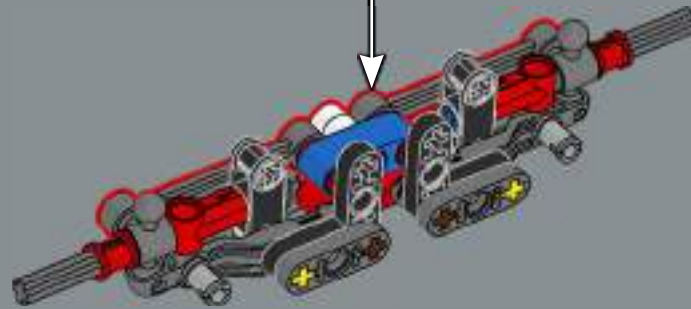
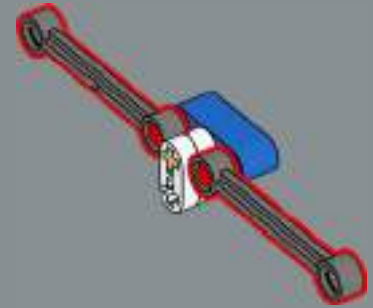
2



3

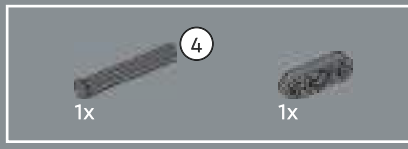
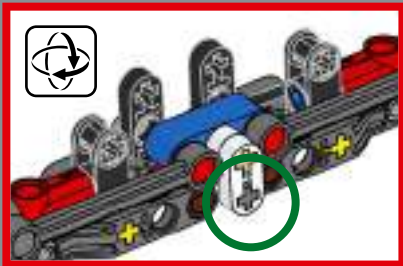
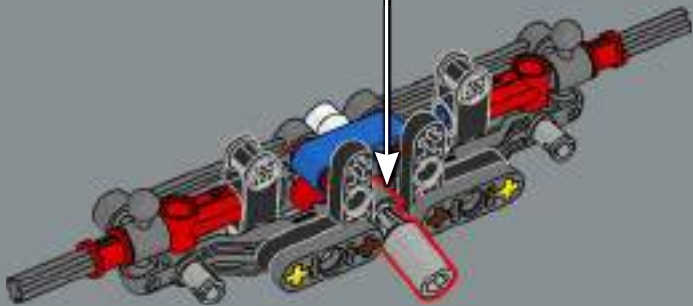


4

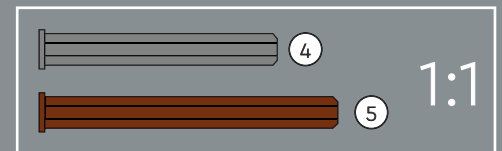
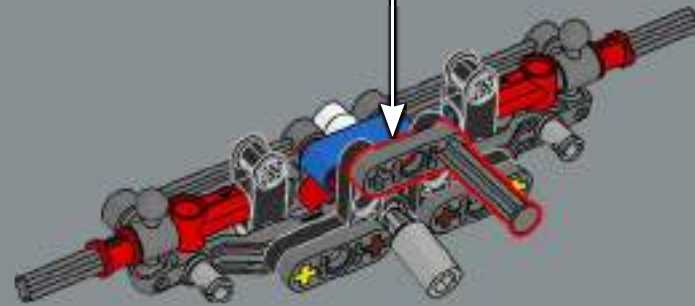
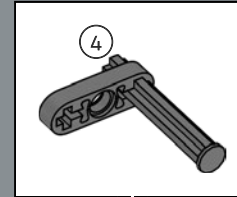




402

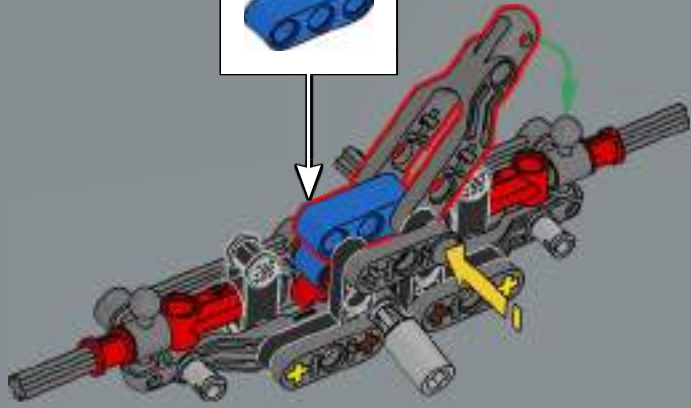


403

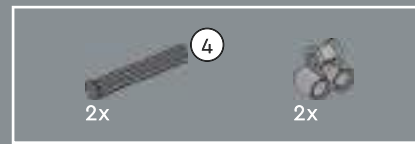
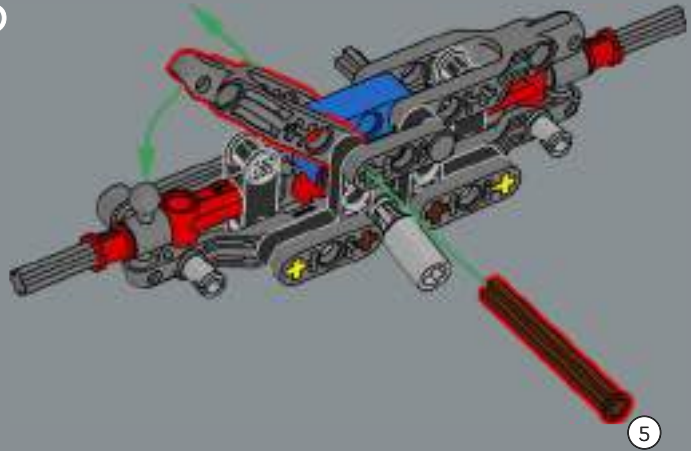




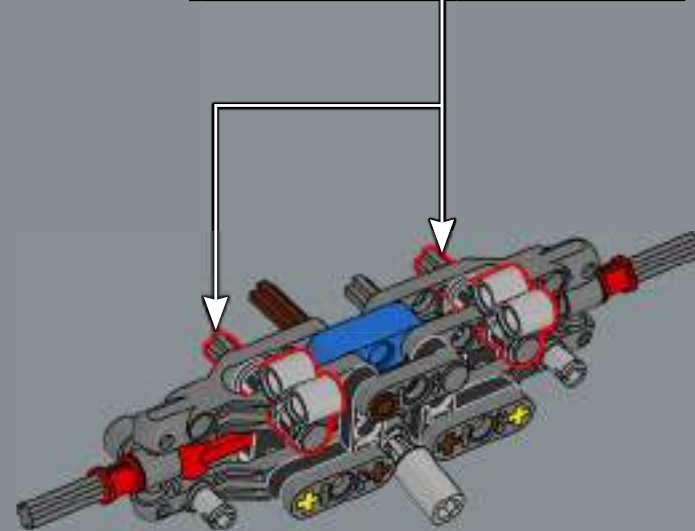
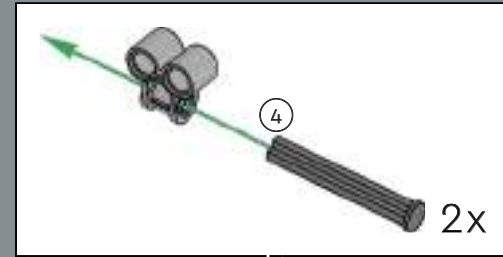
404



405

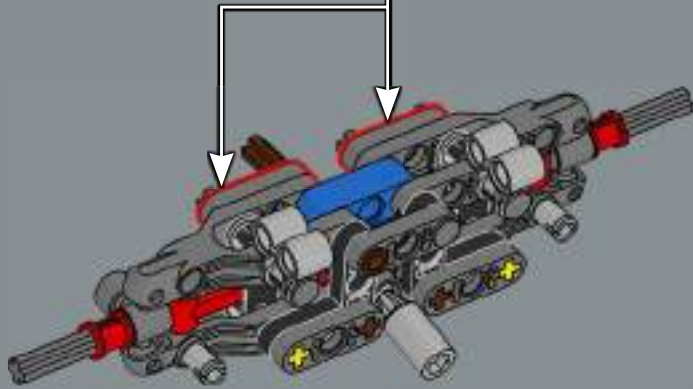
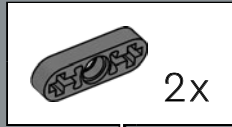


406

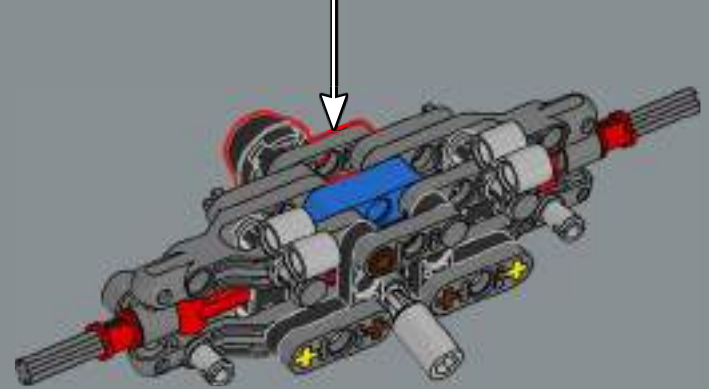
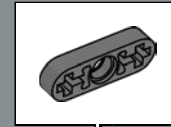




407

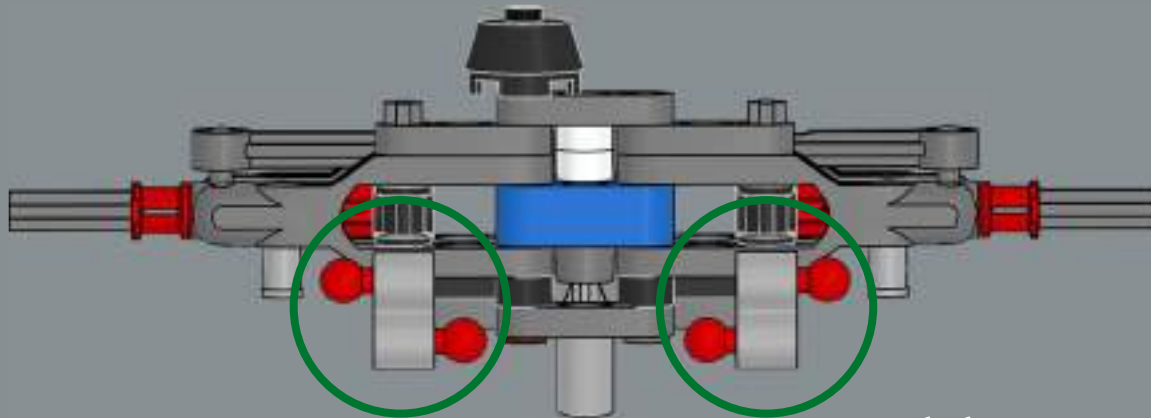
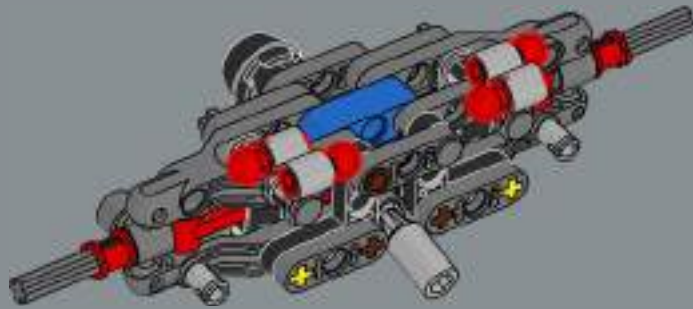


408





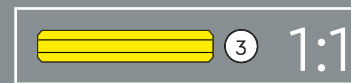
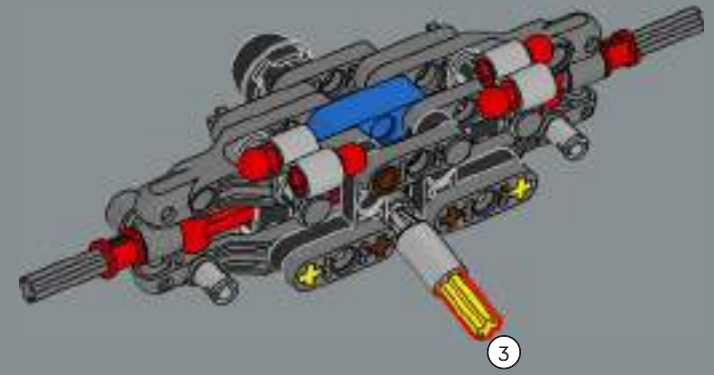
409



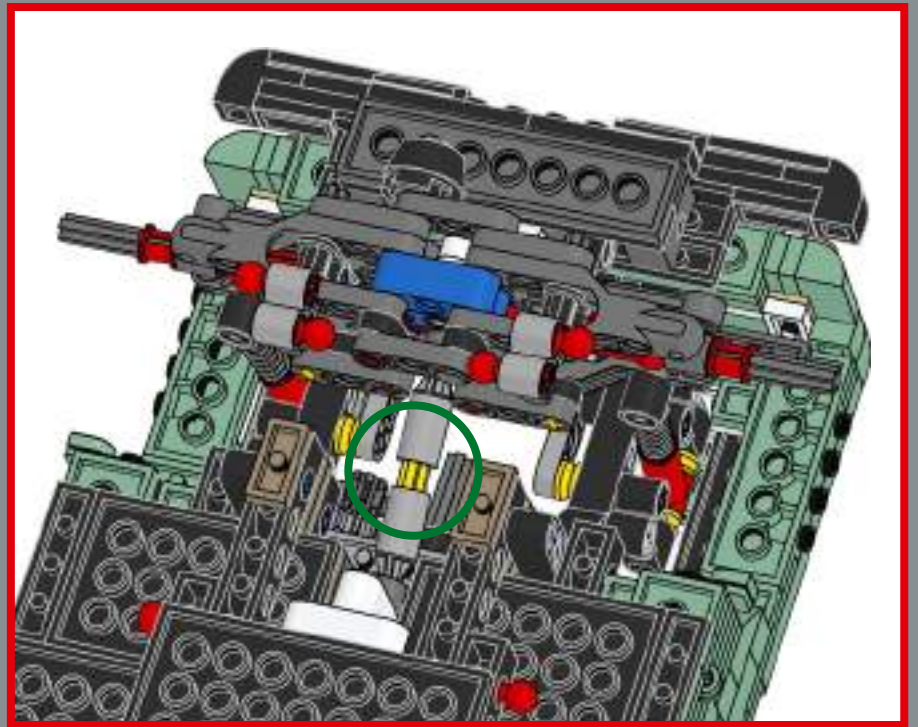
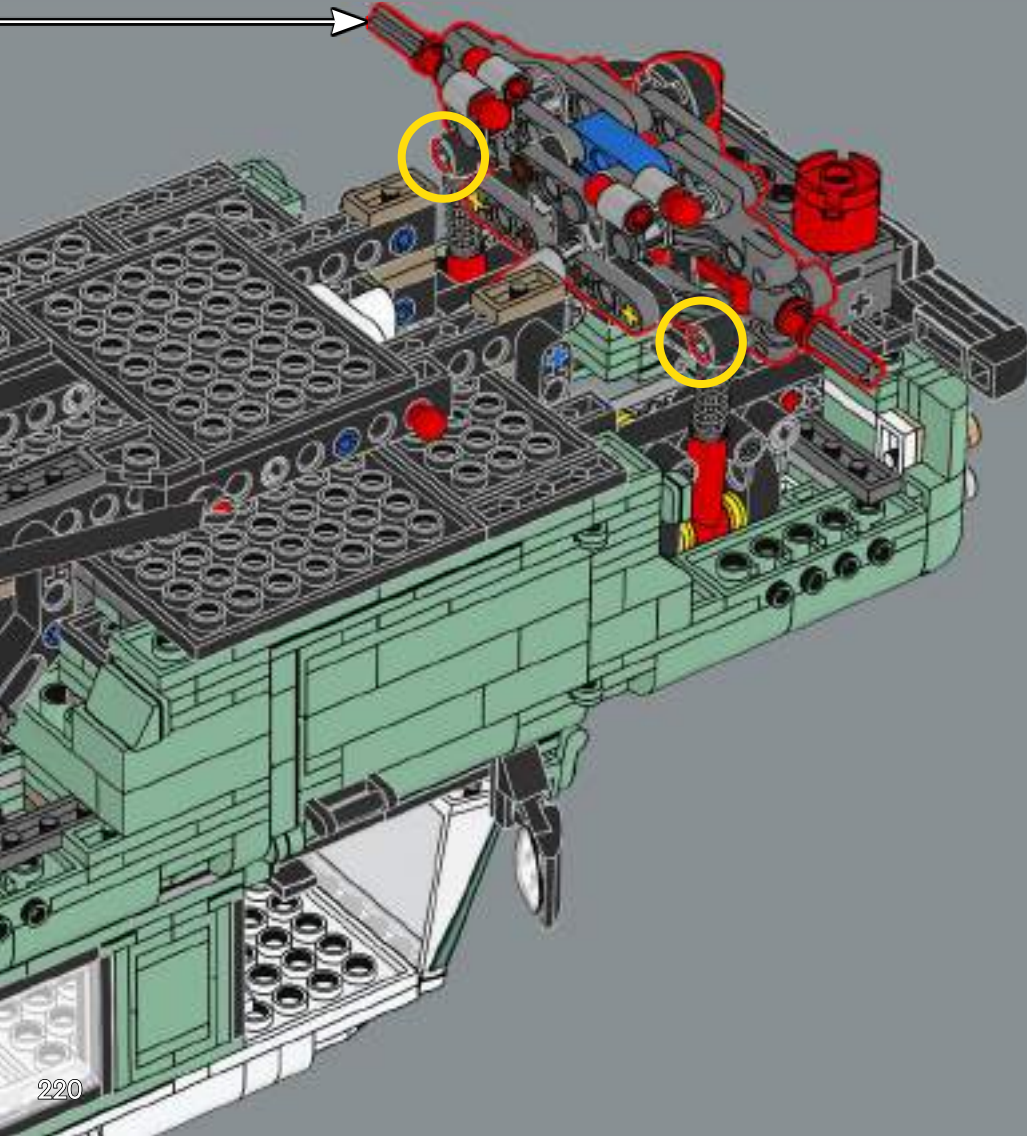
1:1



410

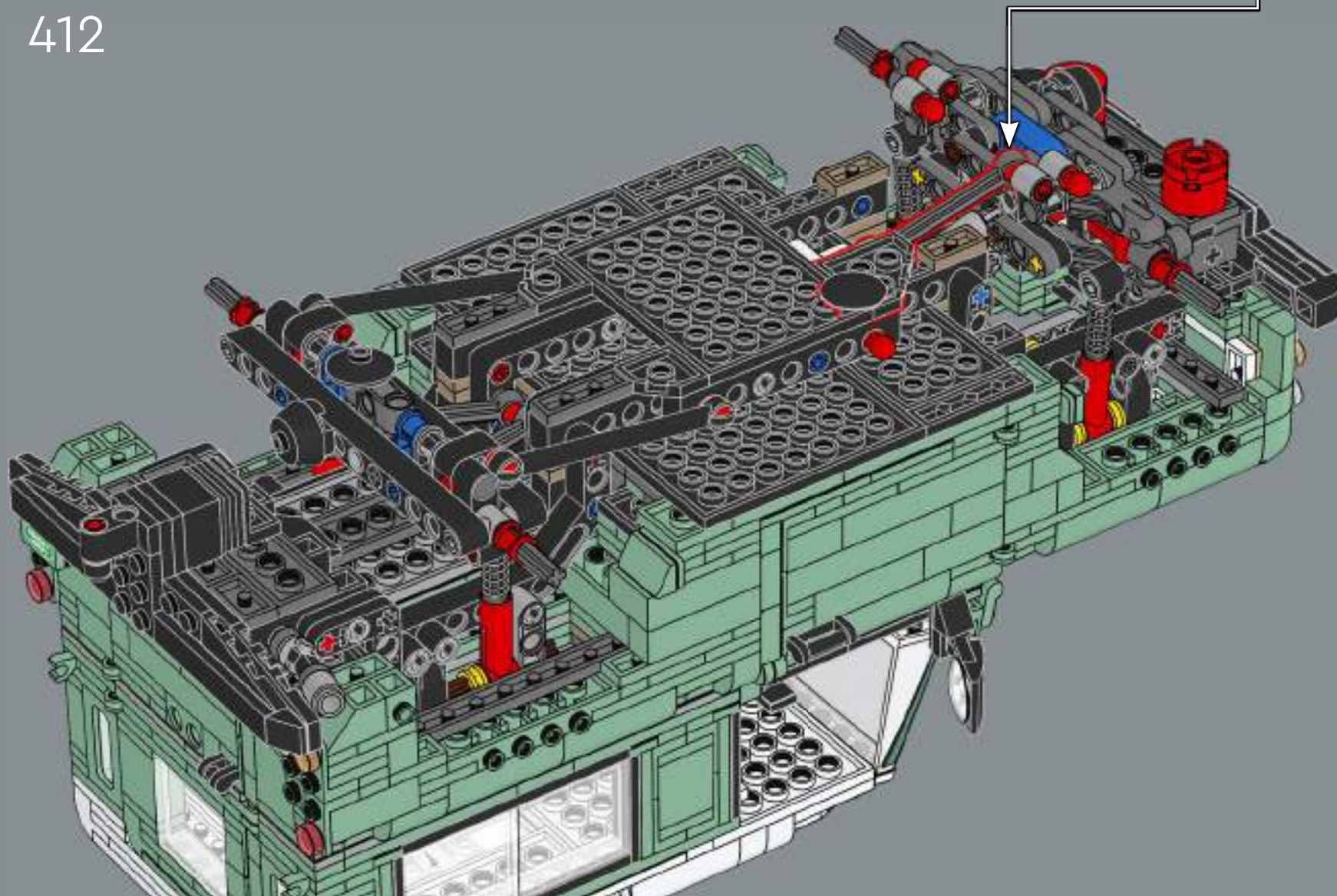


411



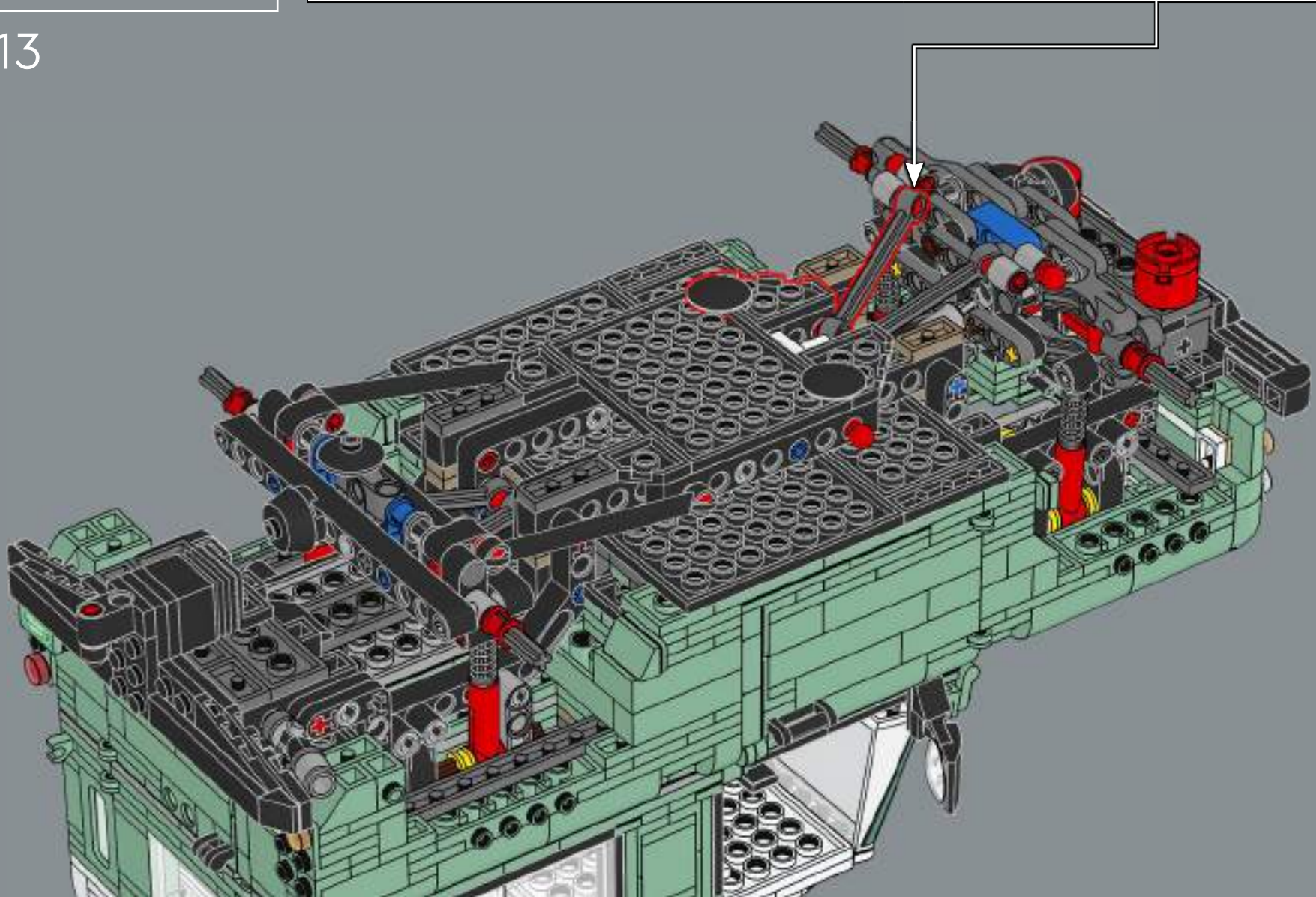


412



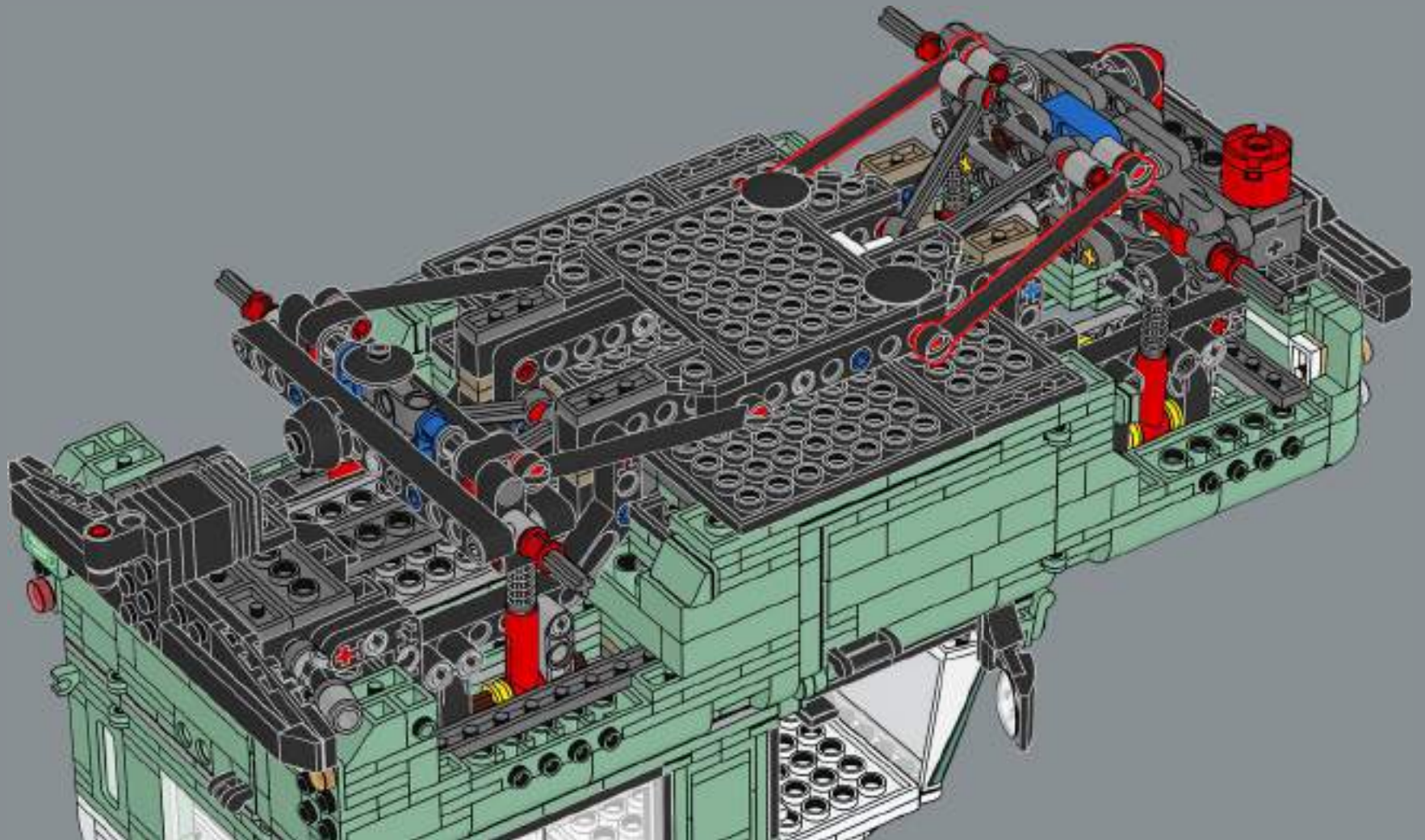


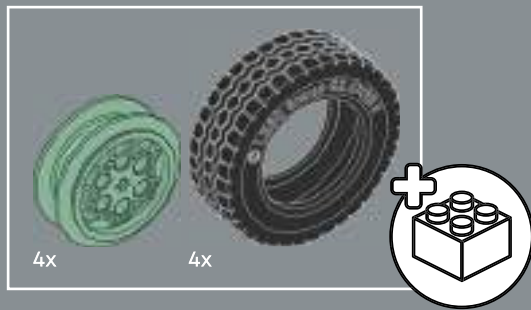
413



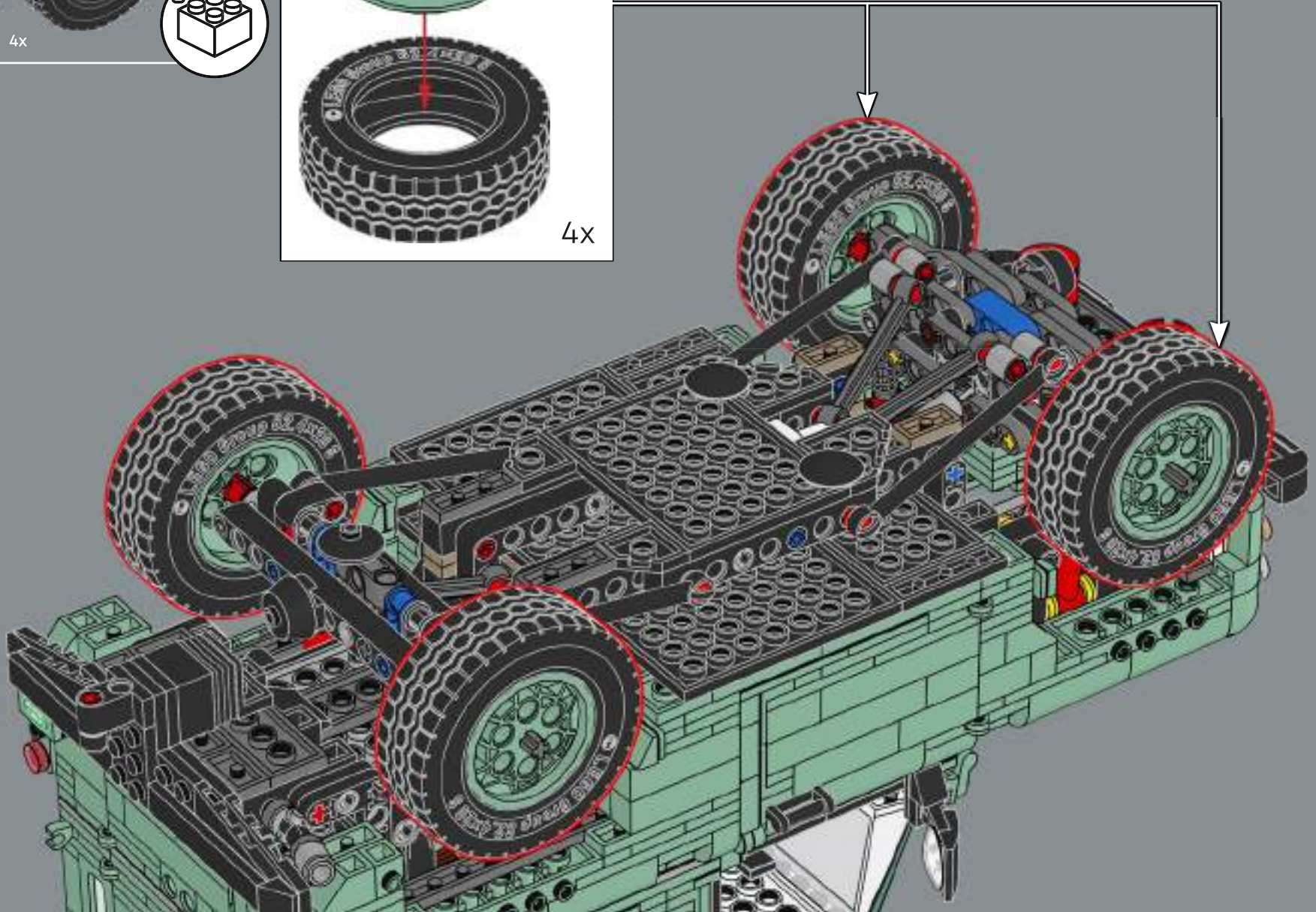
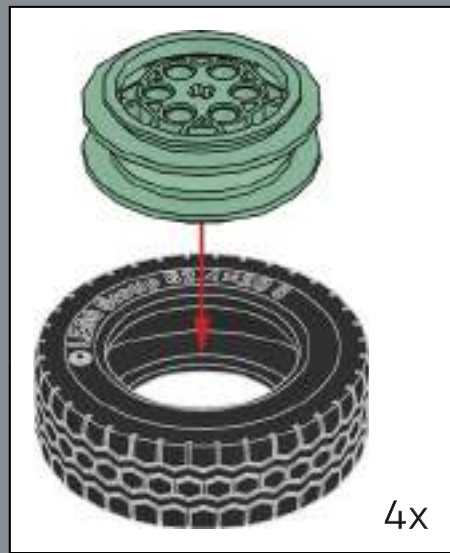


414





415





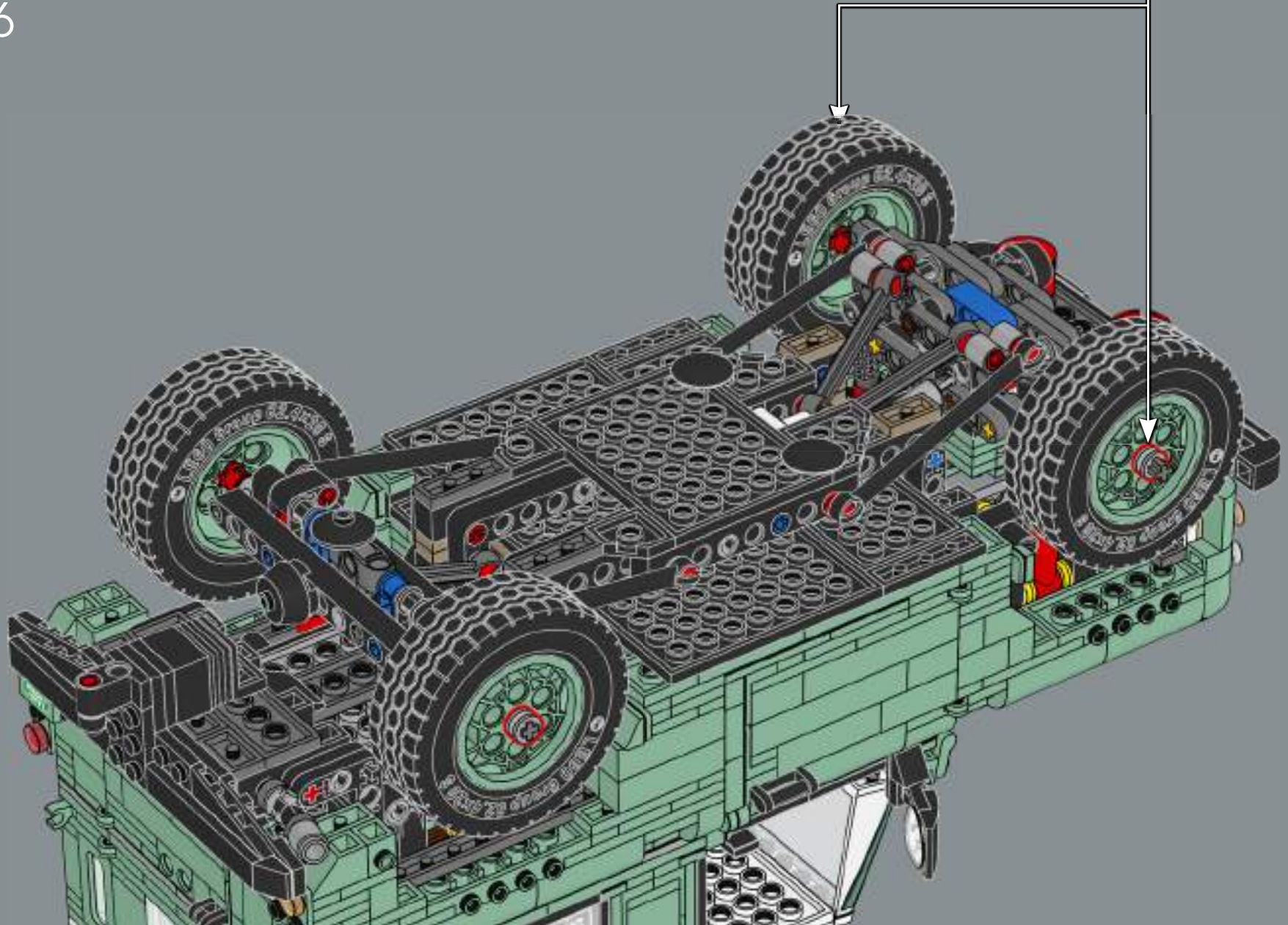
4x

The "classic Defender 90" model name represents the wheelbase of 228 centimetres (90 inches).

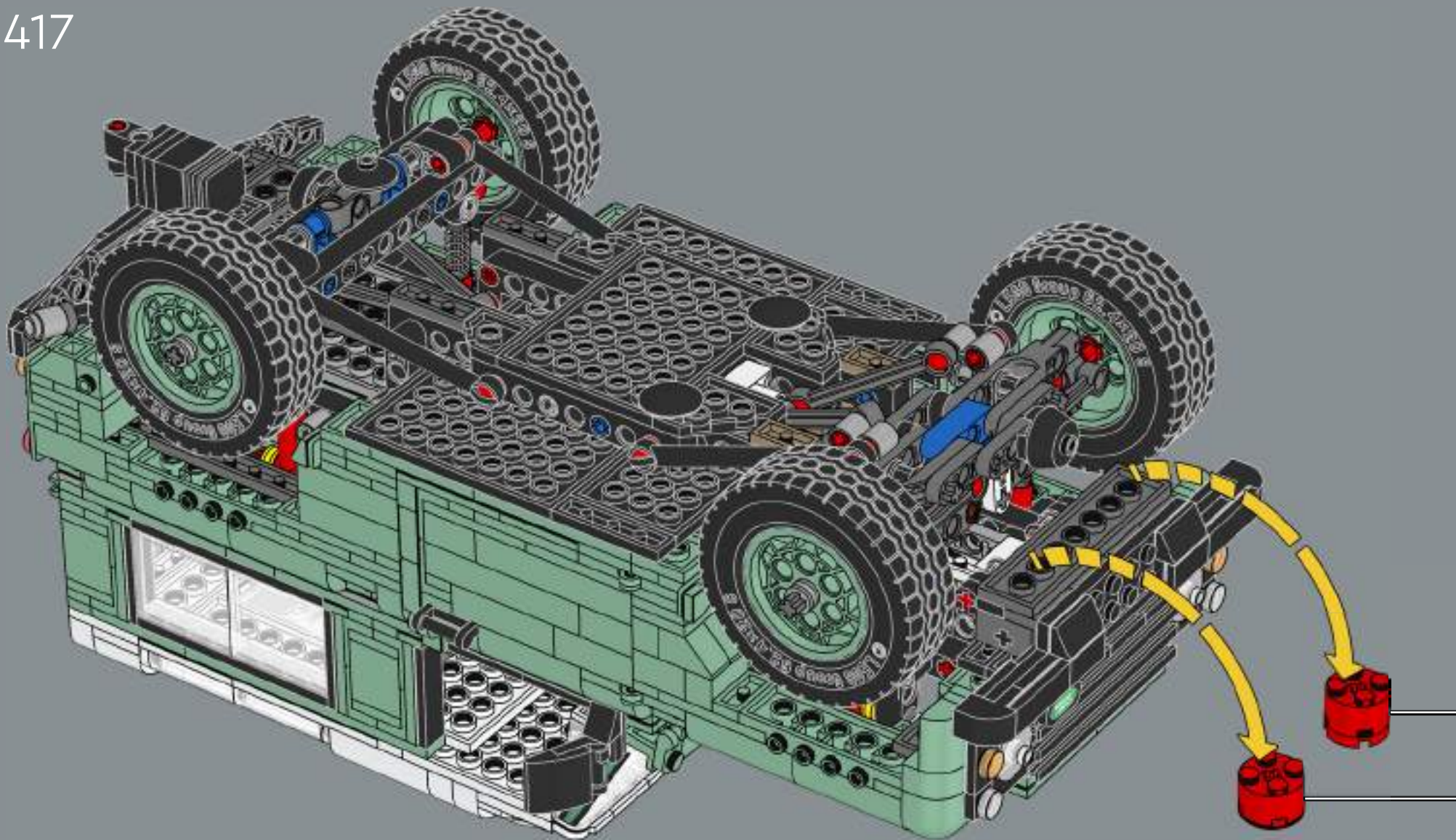


4x

416

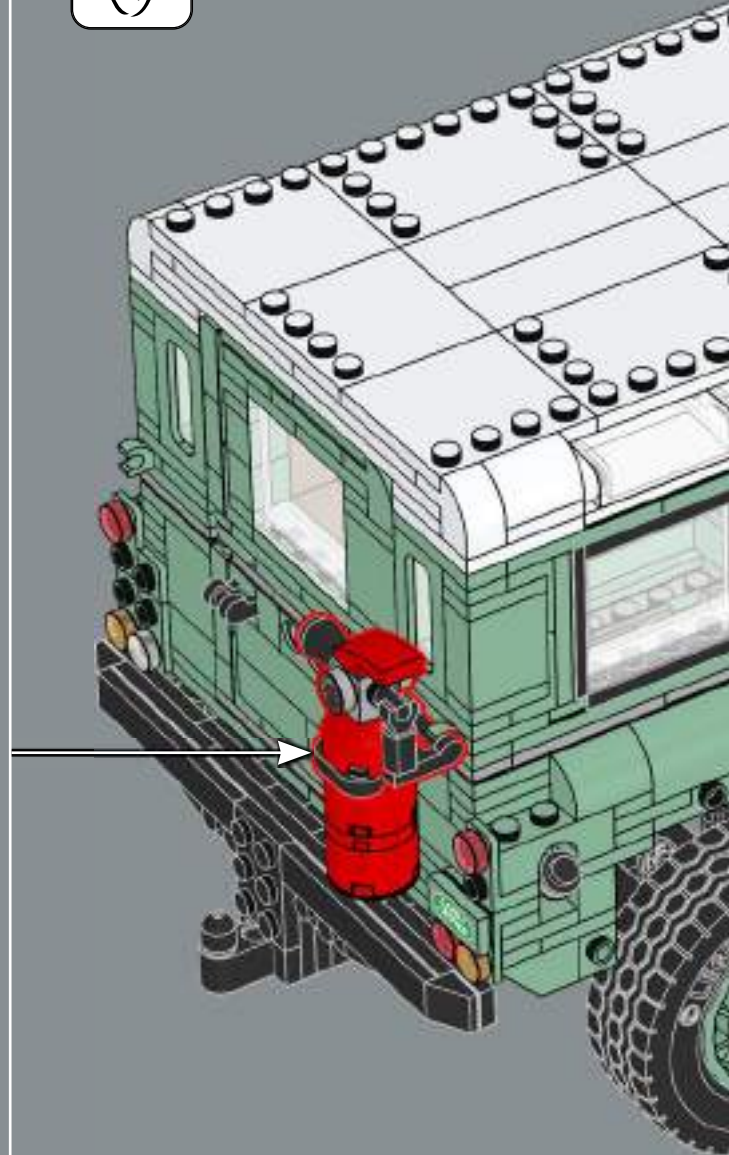
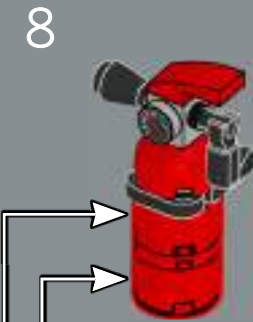


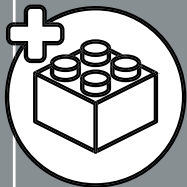
417



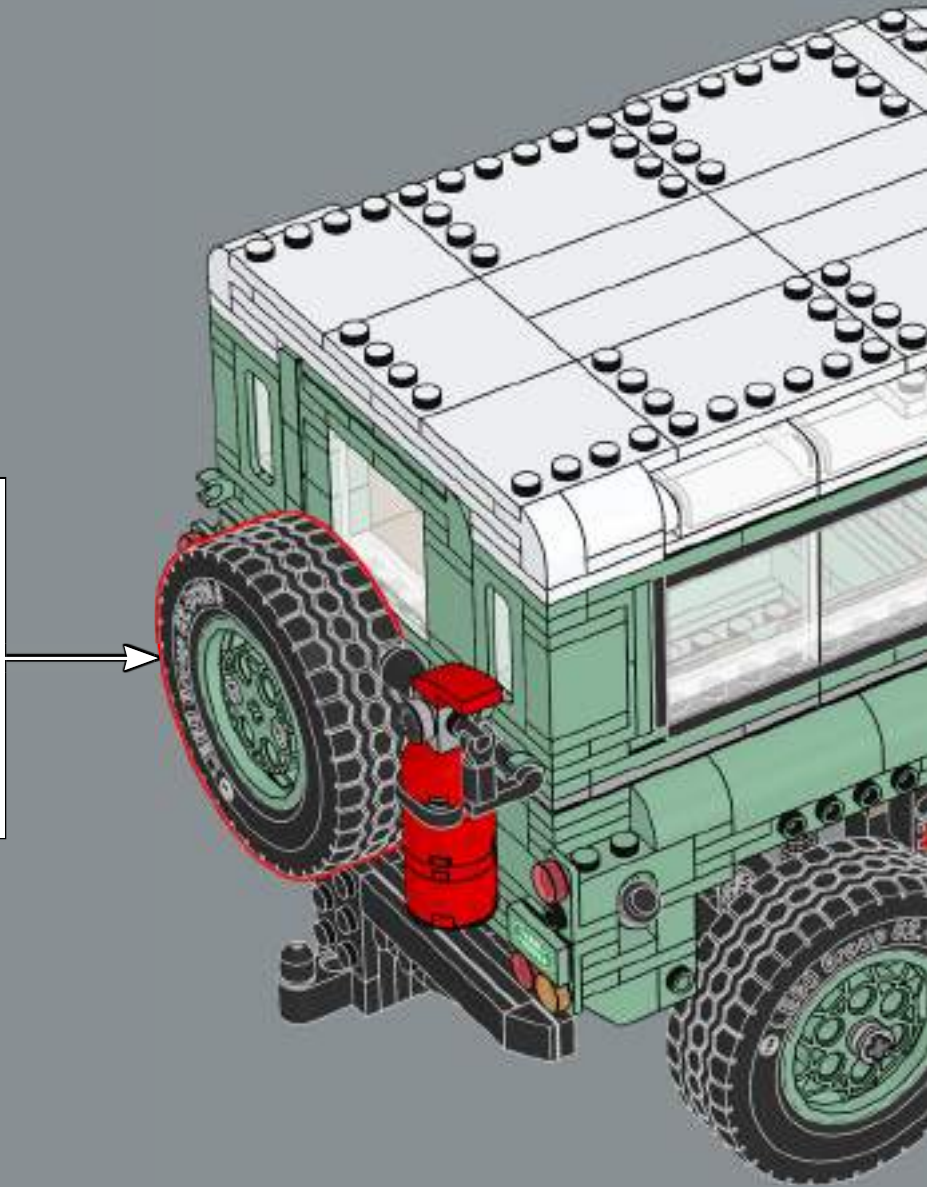
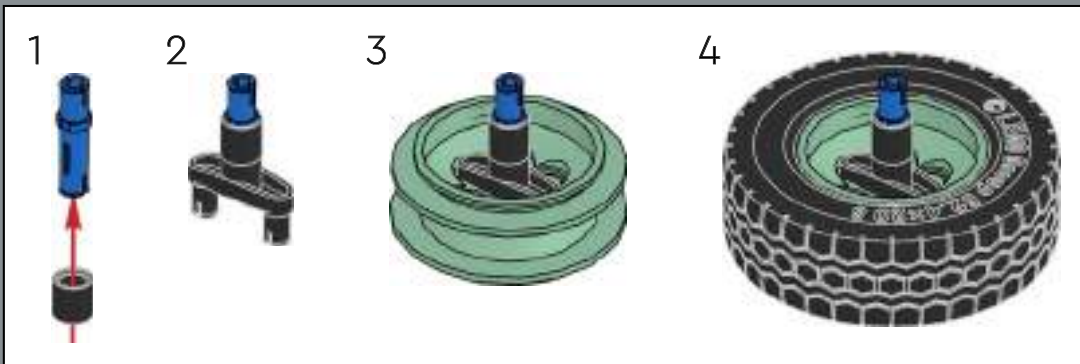


418



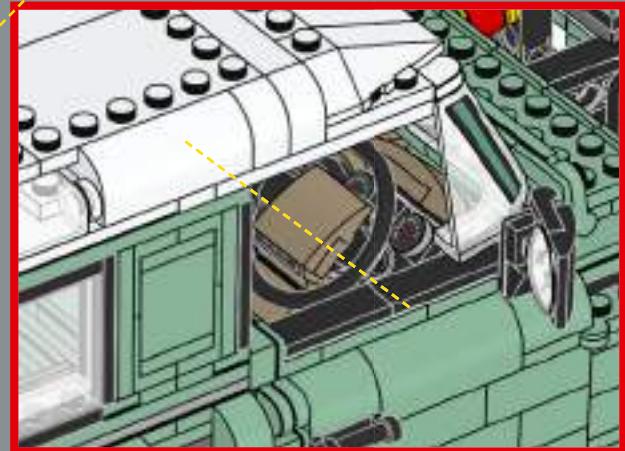
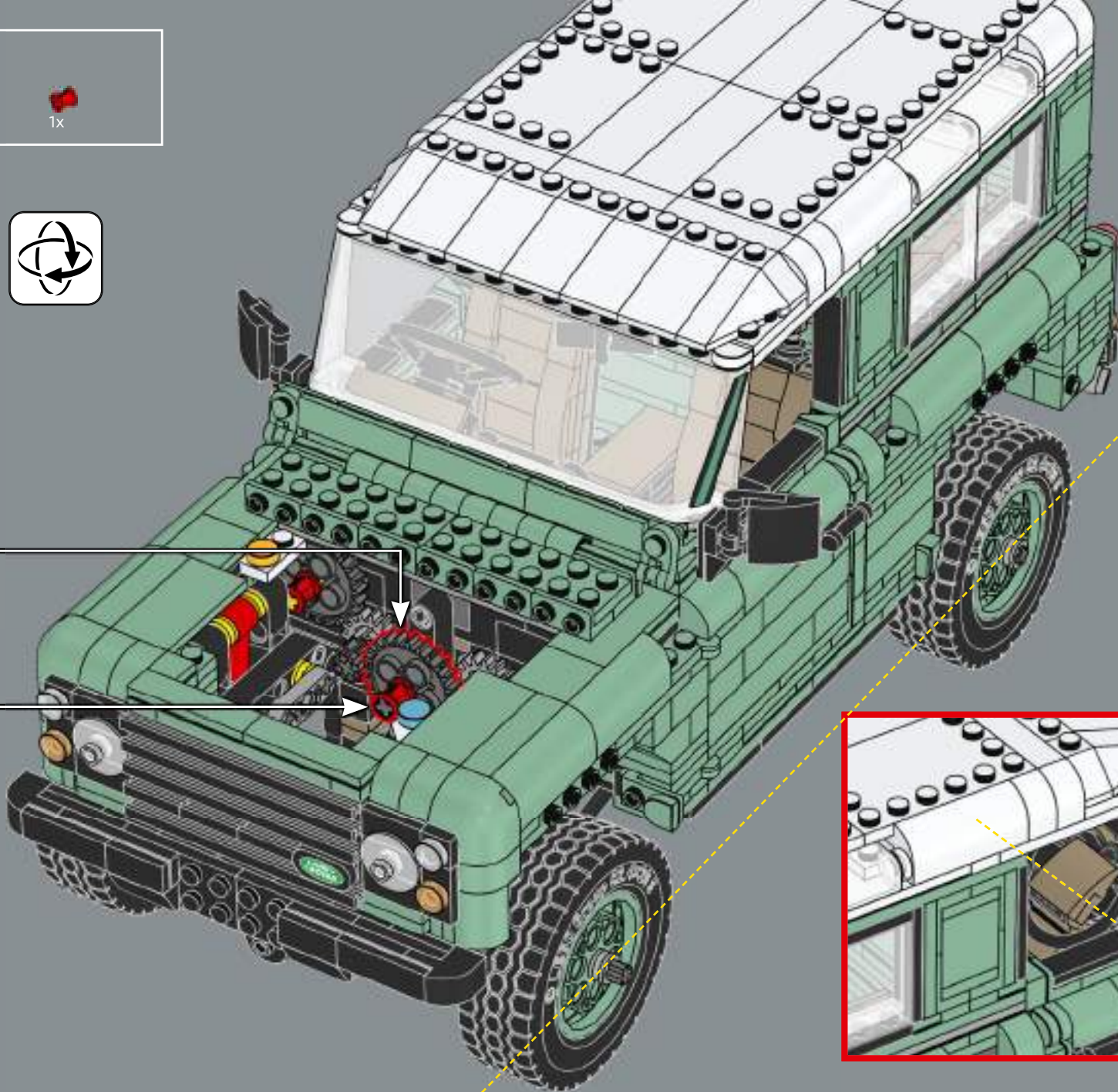
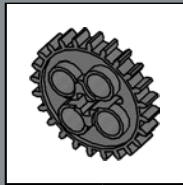


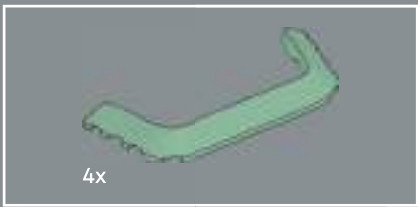
419



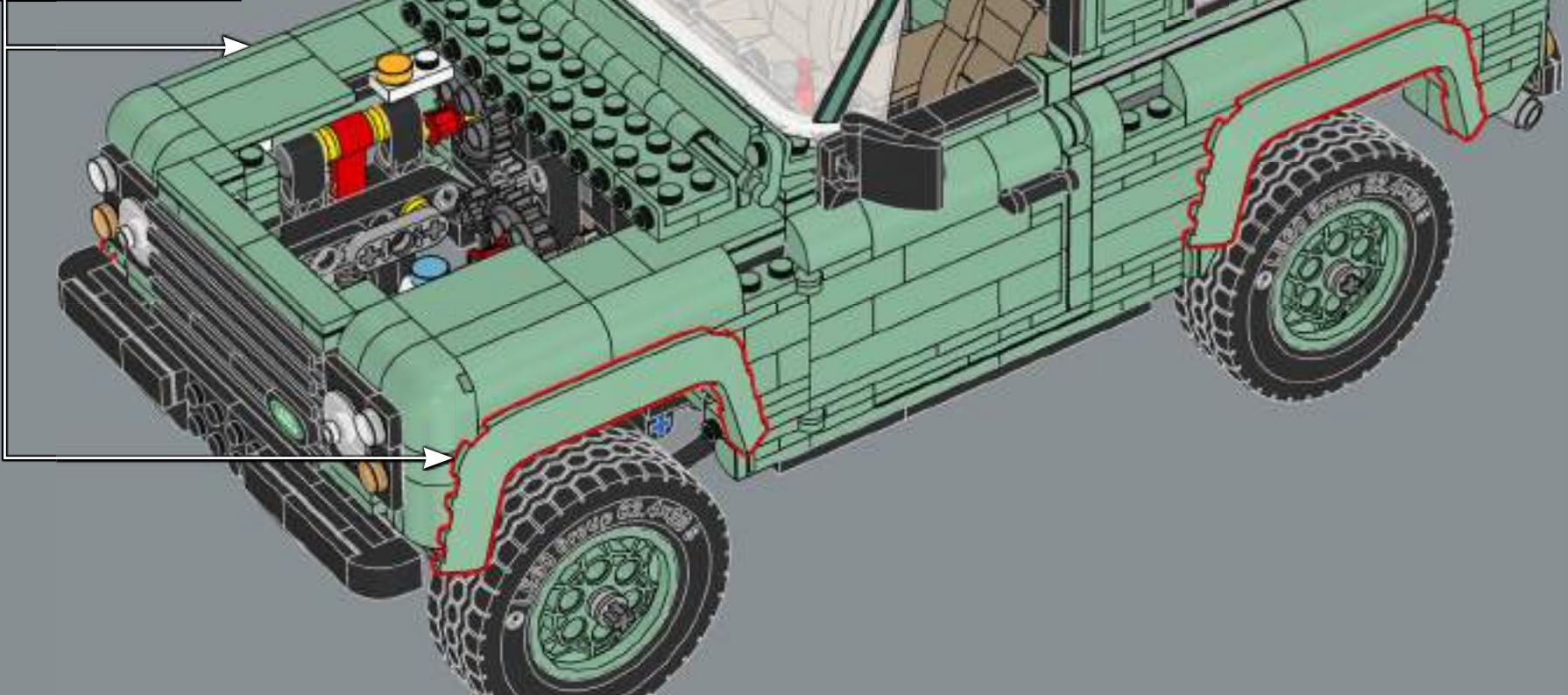
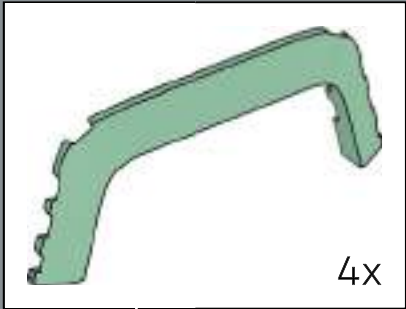


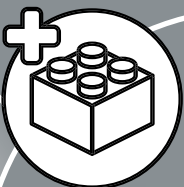
420



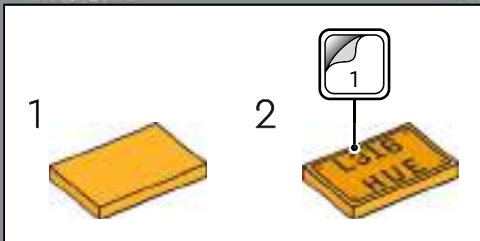
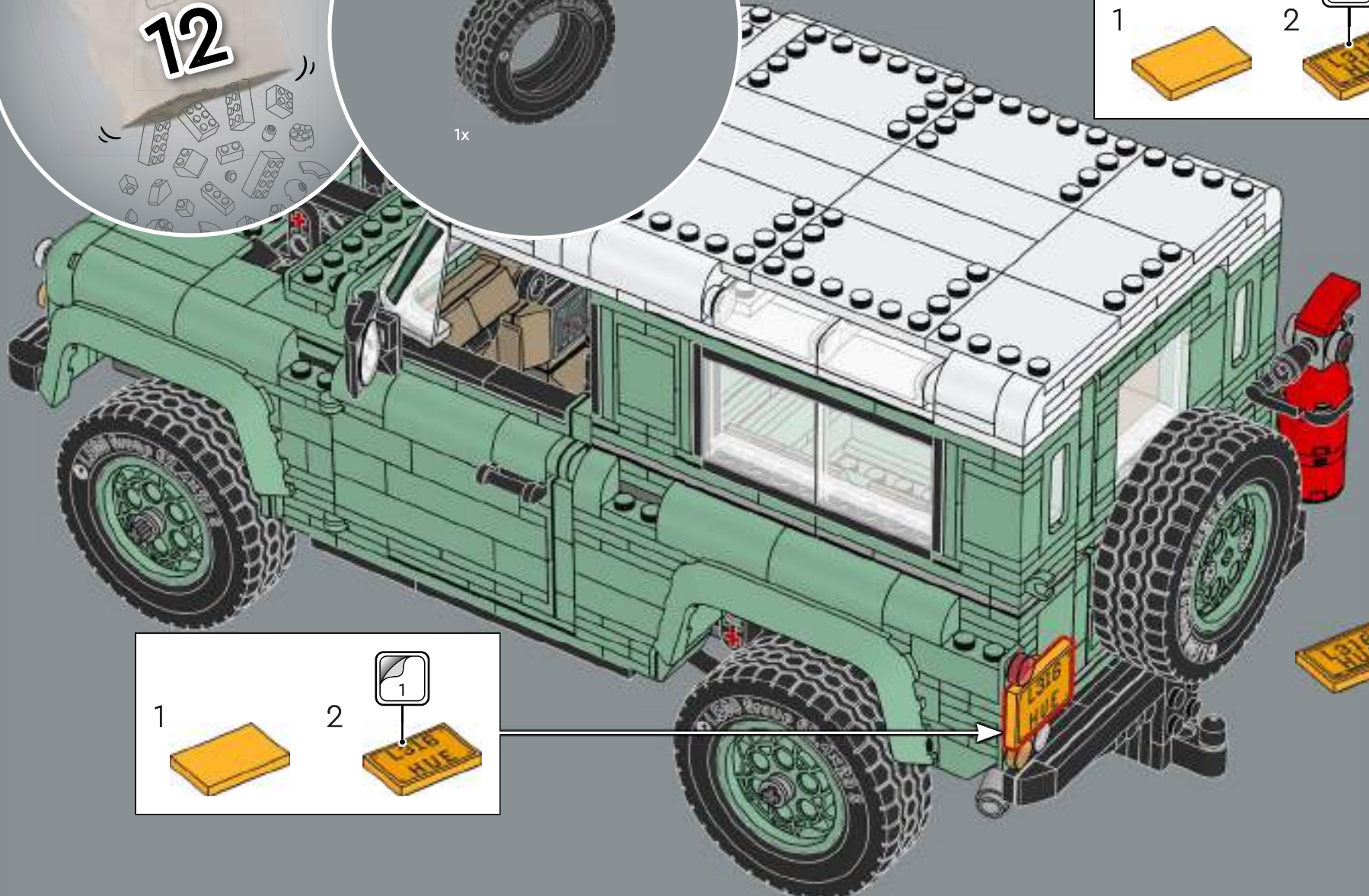
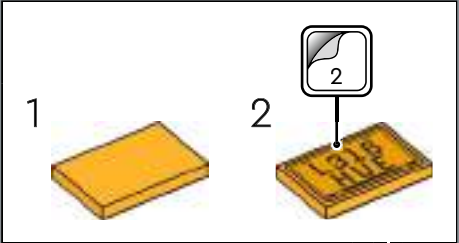


421





422

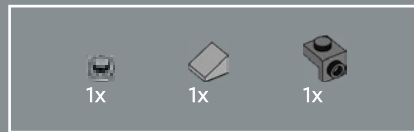
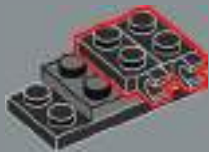




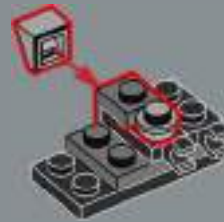
423



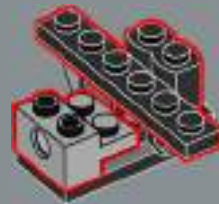
424



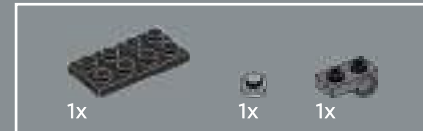
425



426



427



428

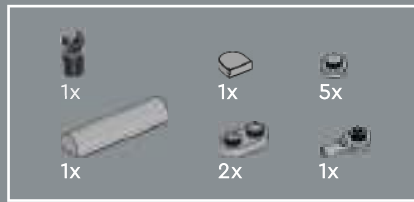
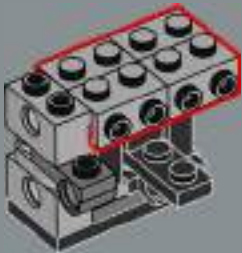




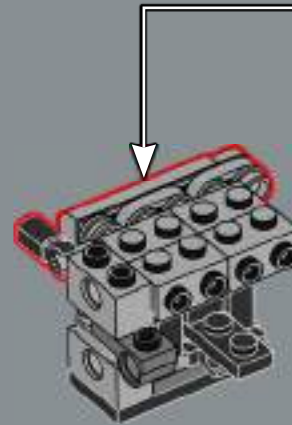
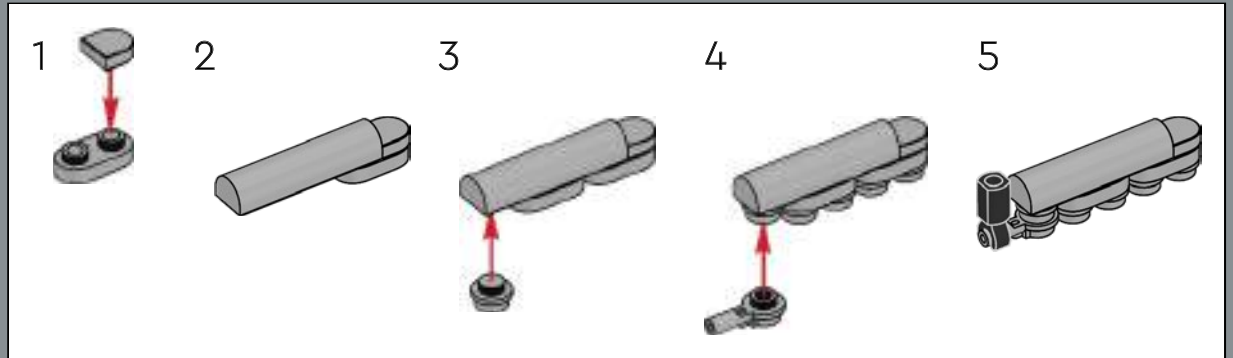
429

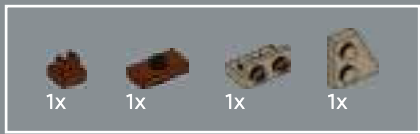


430

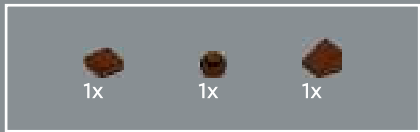
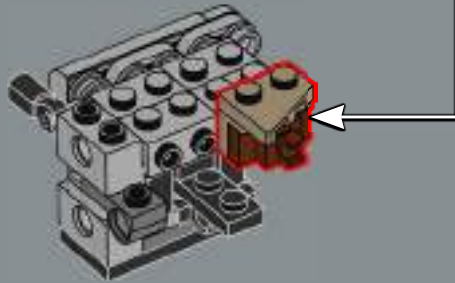
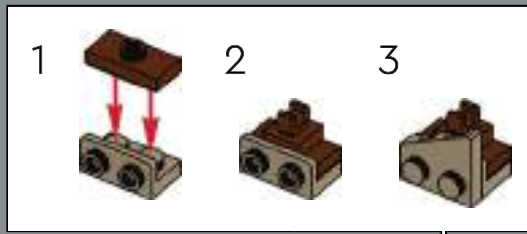


431

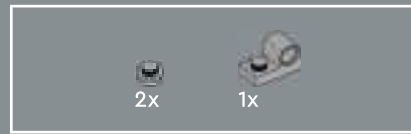
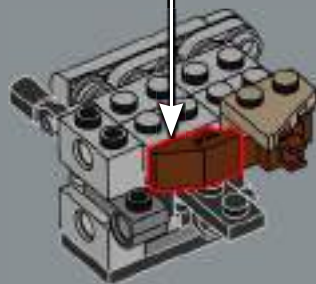




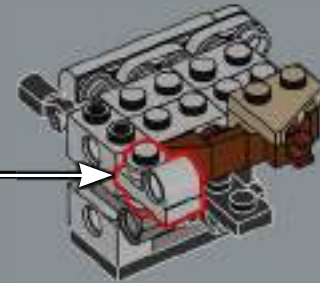
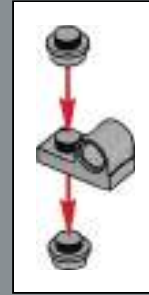
432



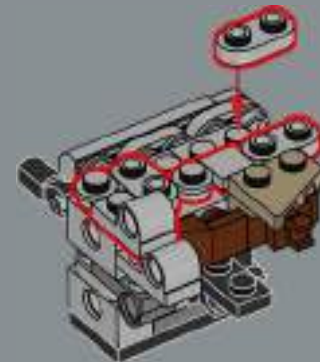
433

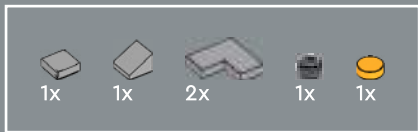


434

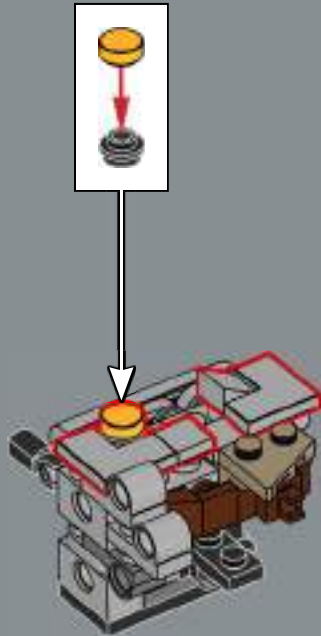


435

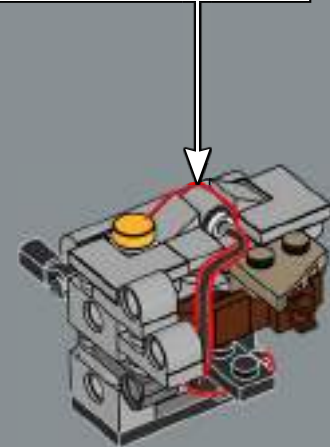
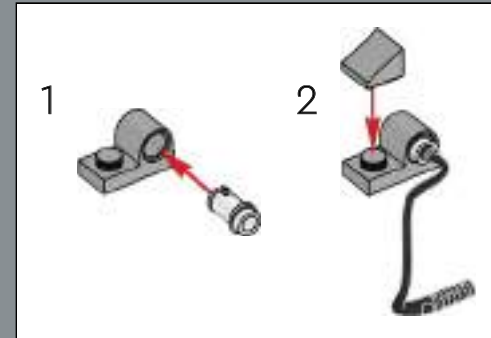




436



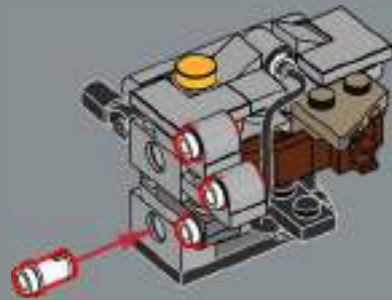
437





4x

438

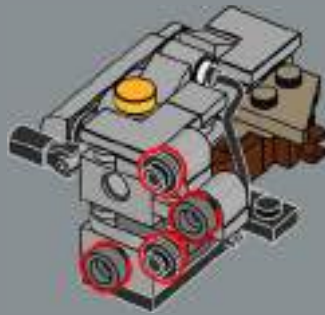


2x



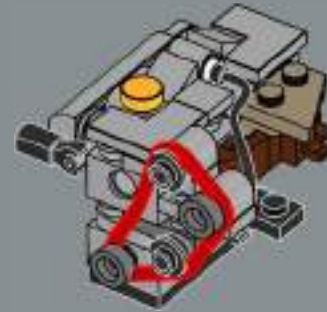
2x

439



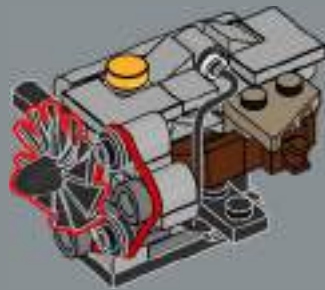
1x

440

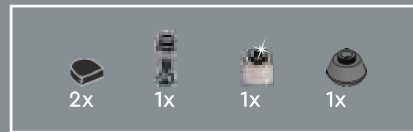




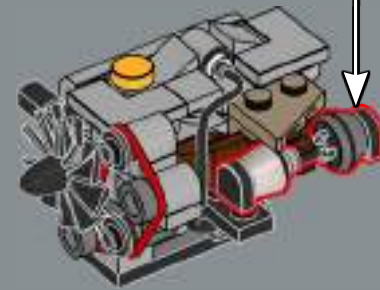
441



Both LEGO® engines replicate authentic details from the real-life engines.



442

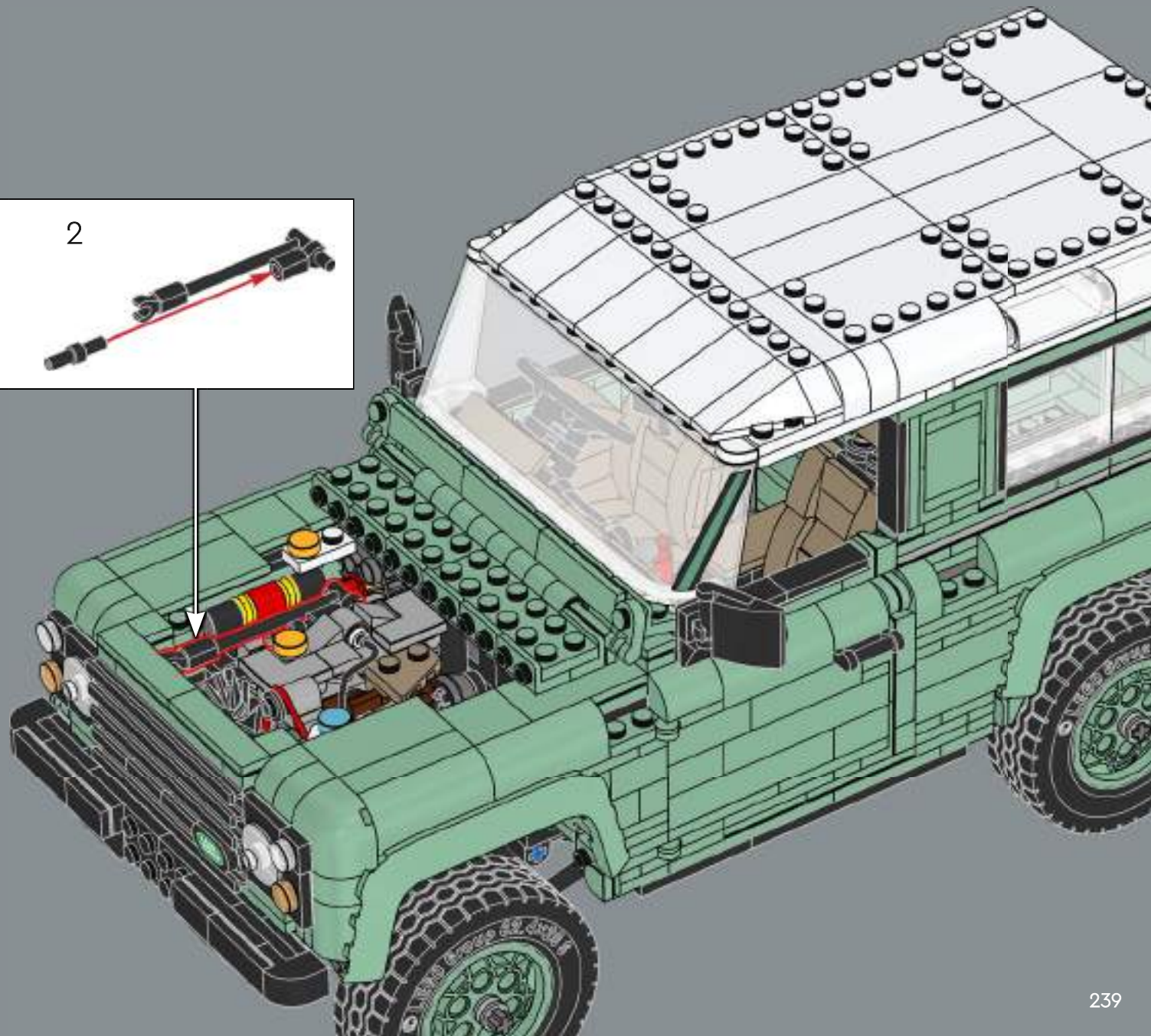


443





444



CUSTOMISE FOR YOUR DEMANDS



Turbo Diesel Engine

The five-cylinder, turbo diesel engine is built for rough terrain performance.



V8 Engine

The V8 engine is designed for standard travel – or surveying your estate.

EXPEDITION MODEL

Build and add a range of all-terrain, multi-purpose accessories to your model for your dream off-road adventures.

Go to page [242](#).



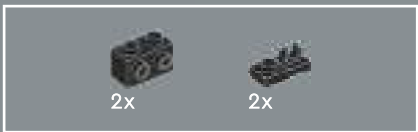
"BULGE" VERSION "A"

The front bonnet bulge makes room for the turbo diesel engine. Go to page [292](#).

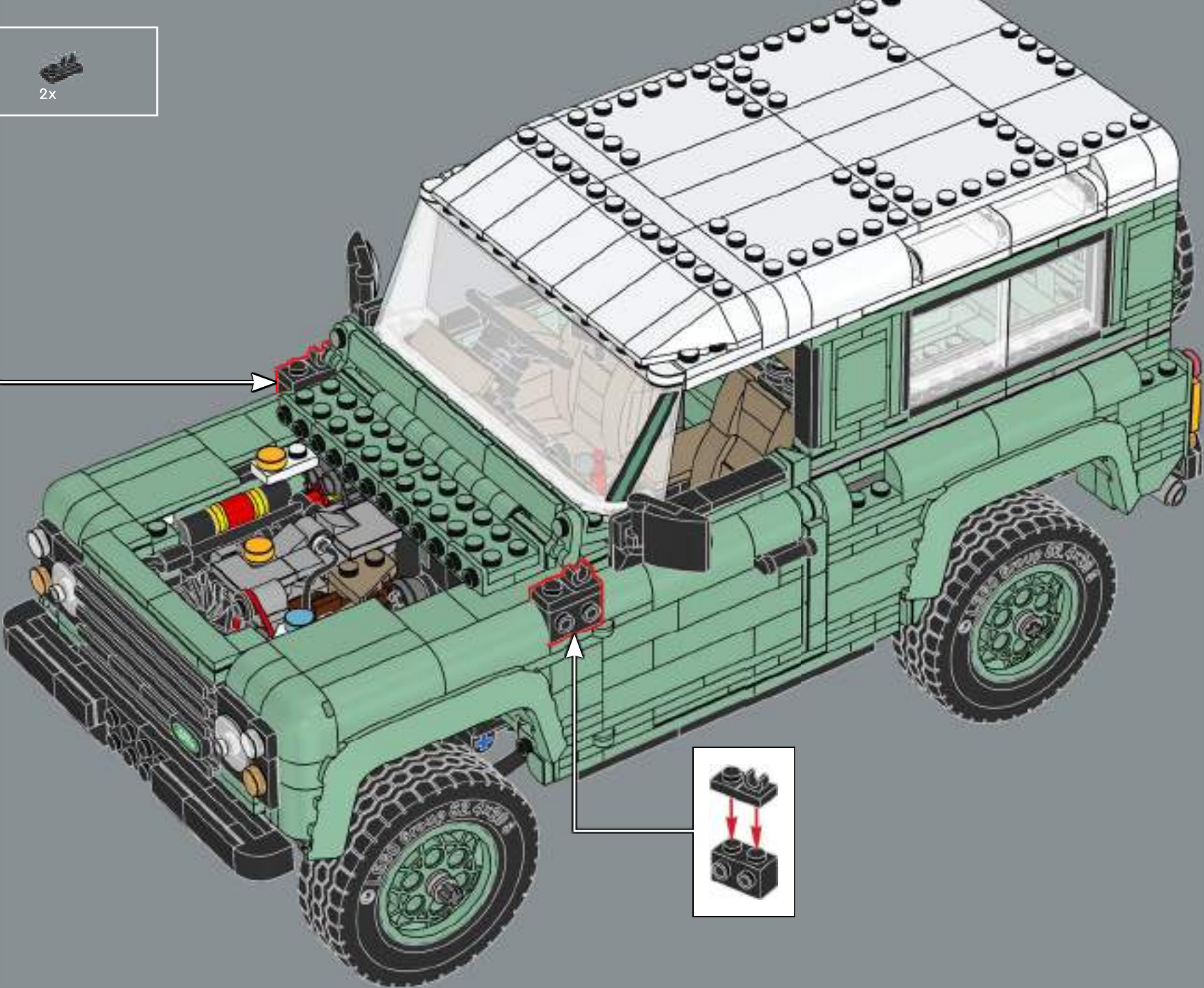
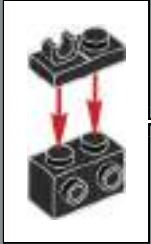


"SLEEK" VERSION "B"

The sleek bonnet makes for another standout display model. Go to page [300](#).

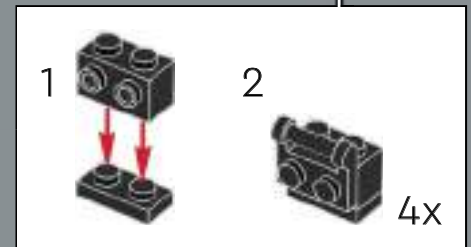
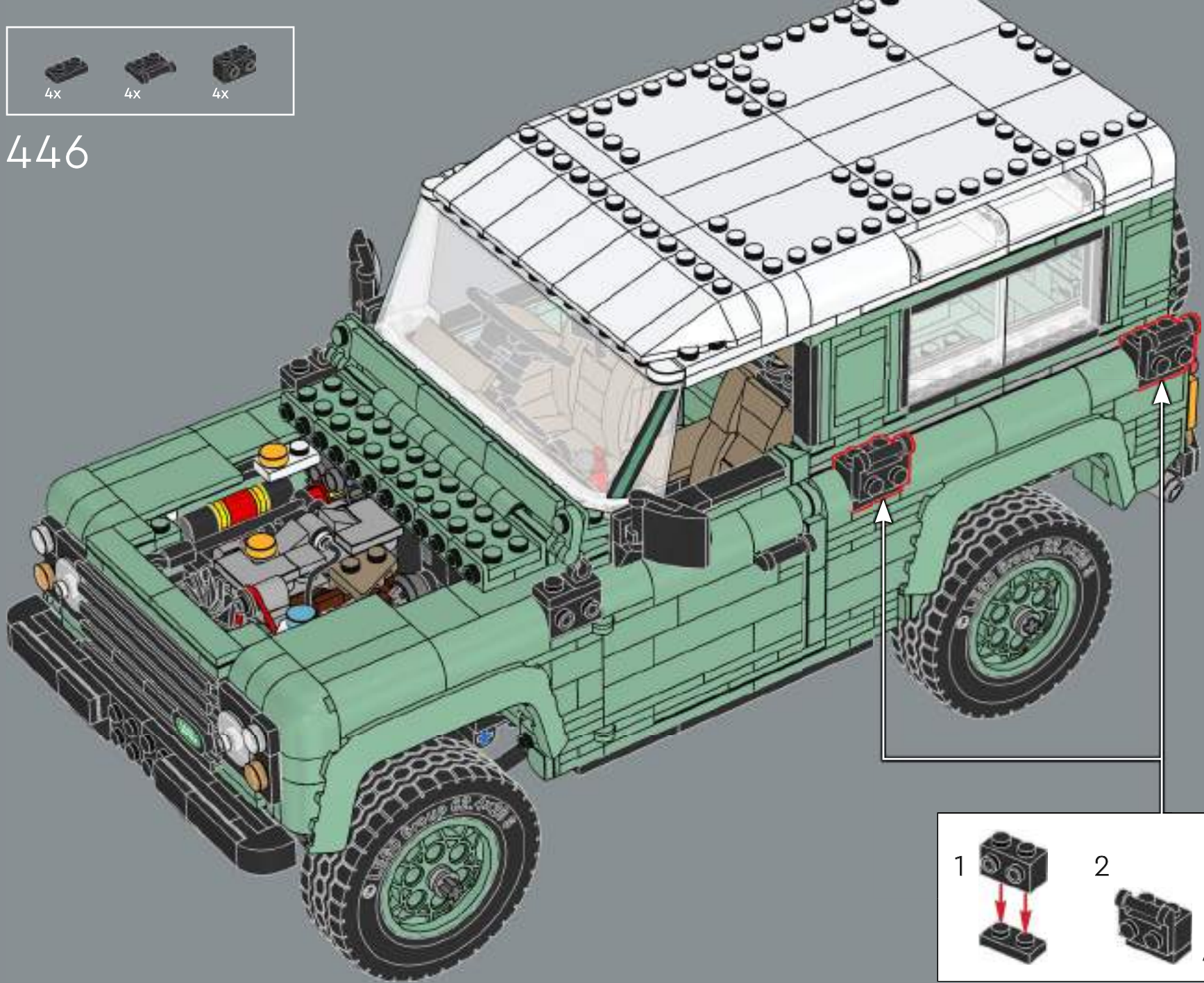


445





446



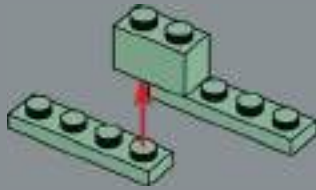


447

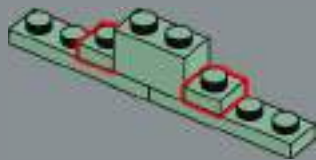




448



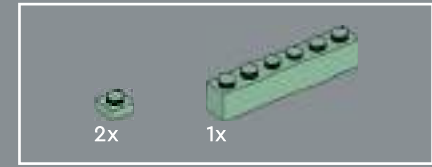
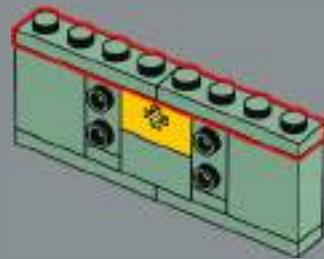
449



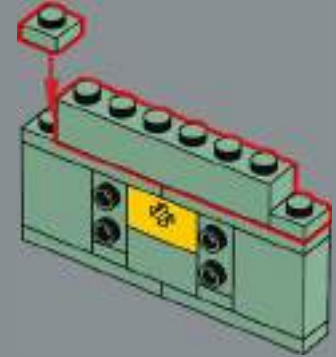
450



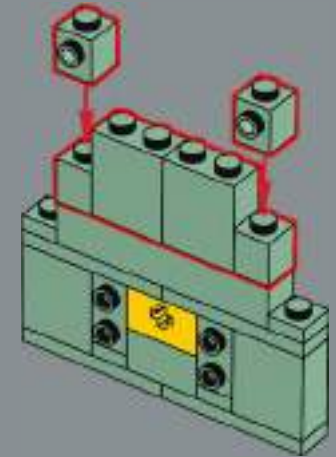
451

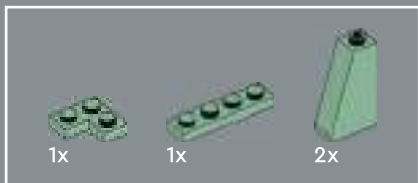


452

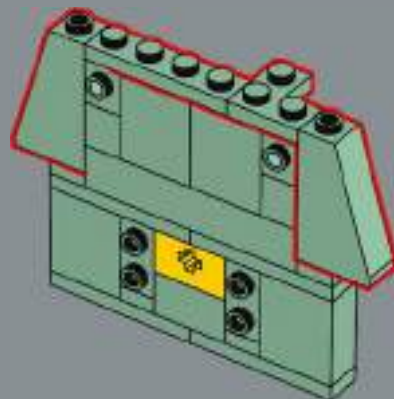


453

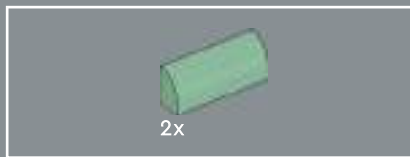
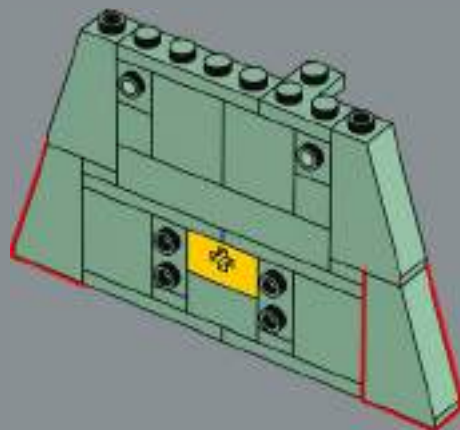




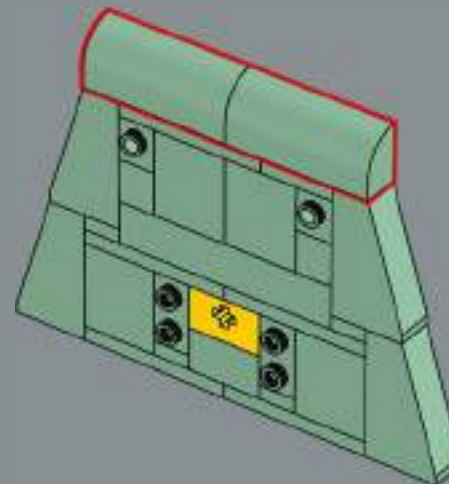
454



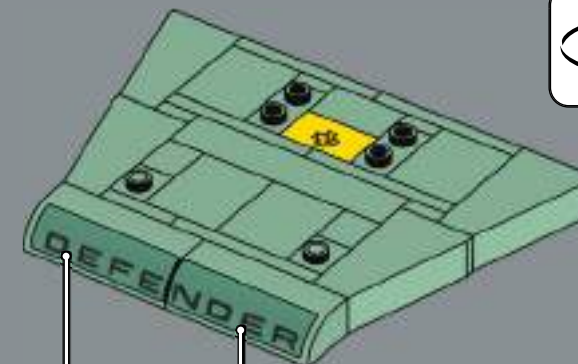
455

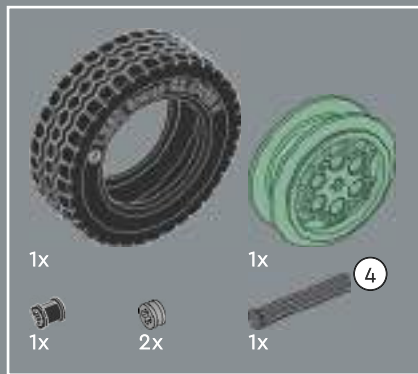


456

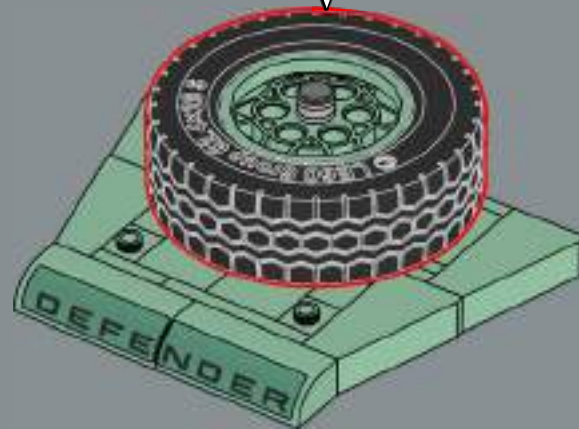
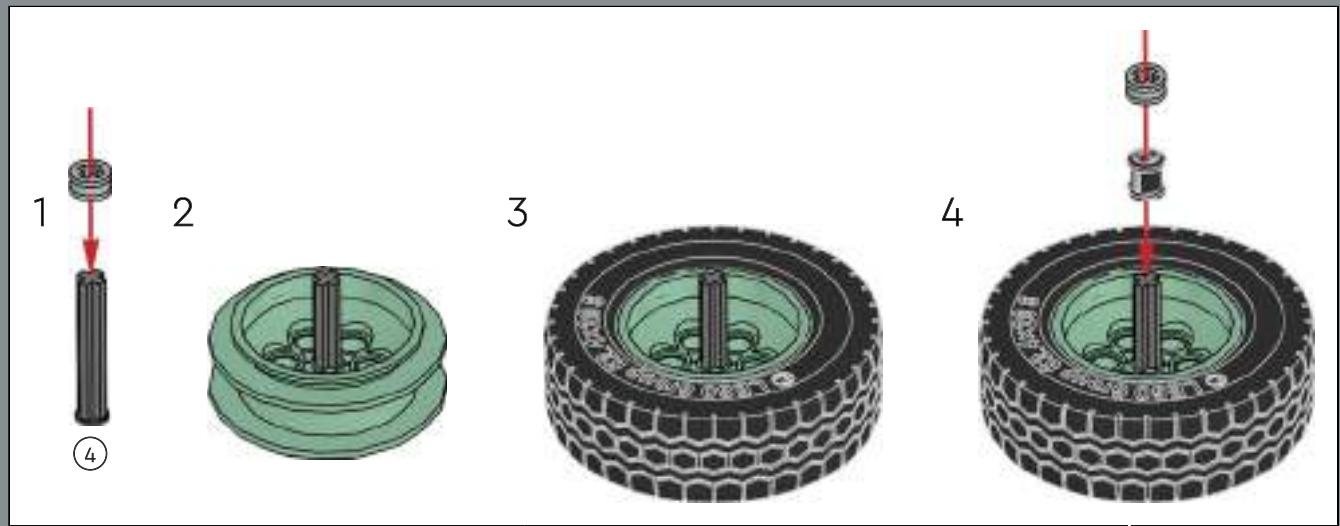


457

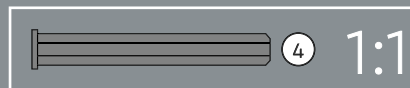




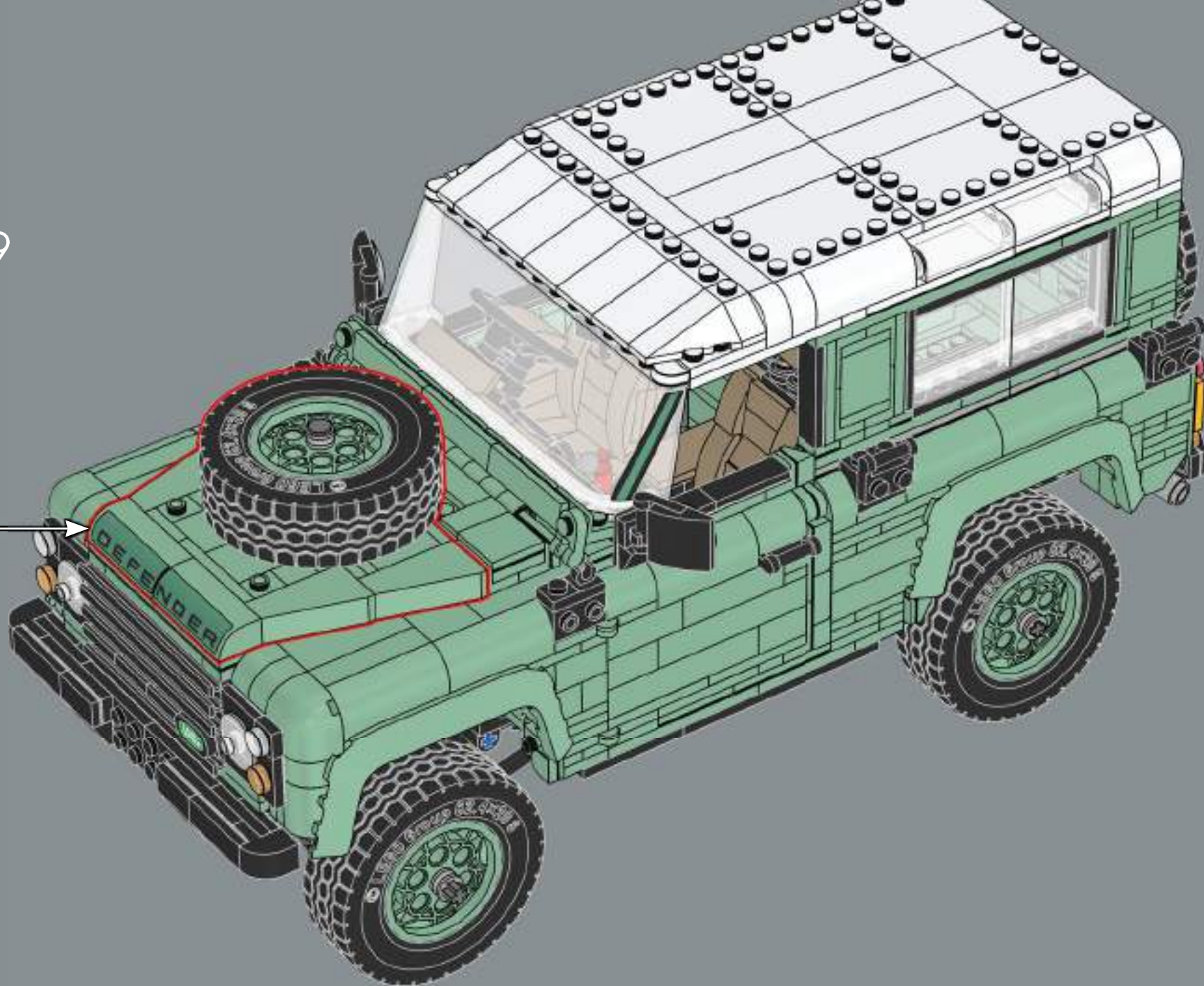
458

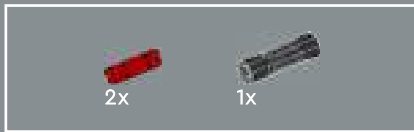
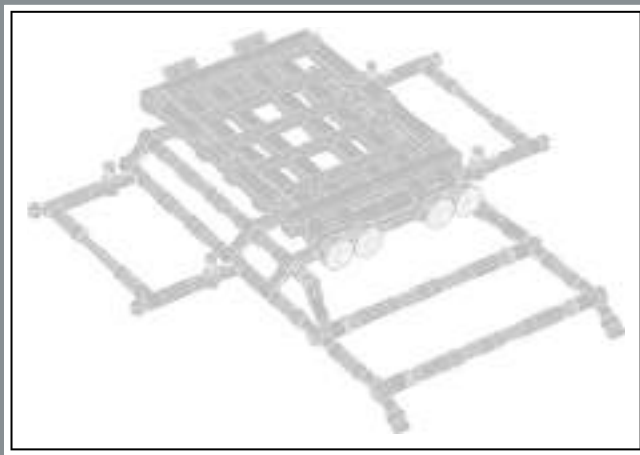


The Land Rover Defender name was added in 1990 to distinguish the classic model from the newly released Discovery range.



459

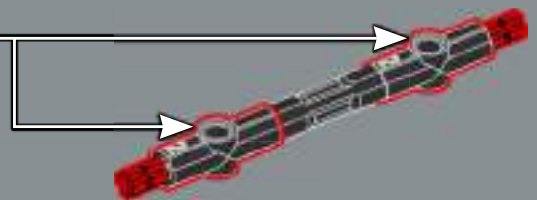




460



461

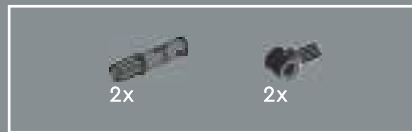




462



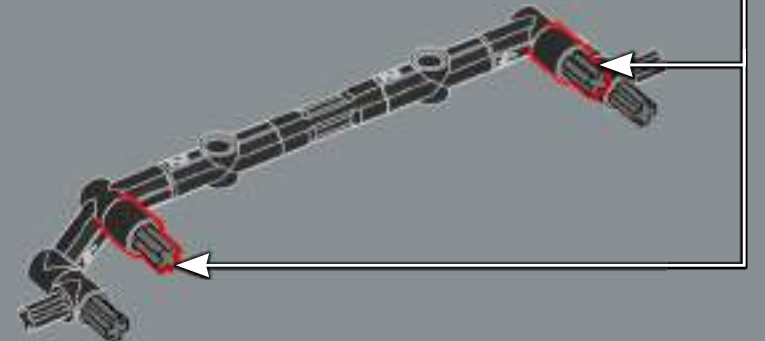
463

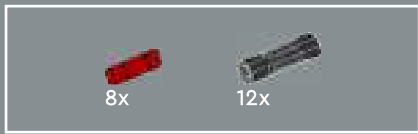


464

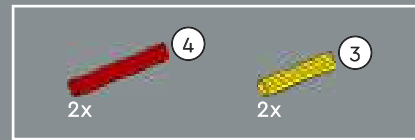
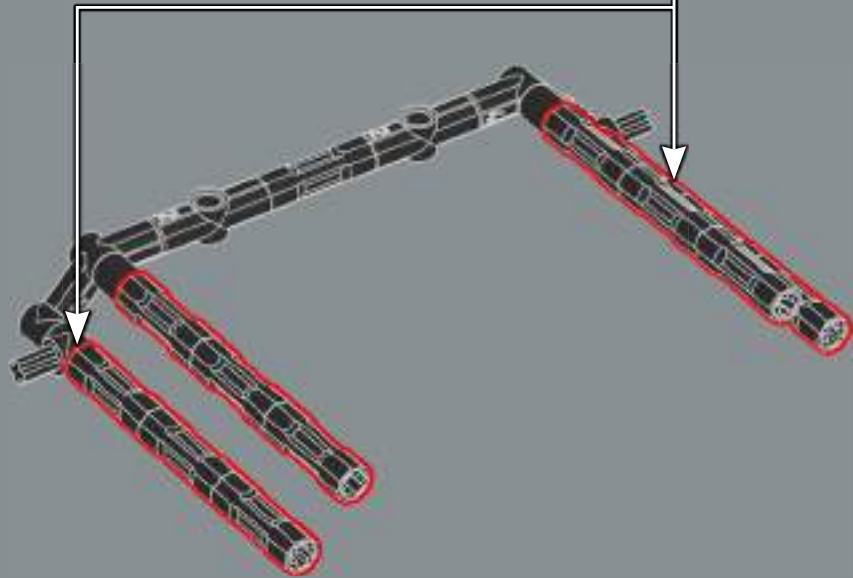
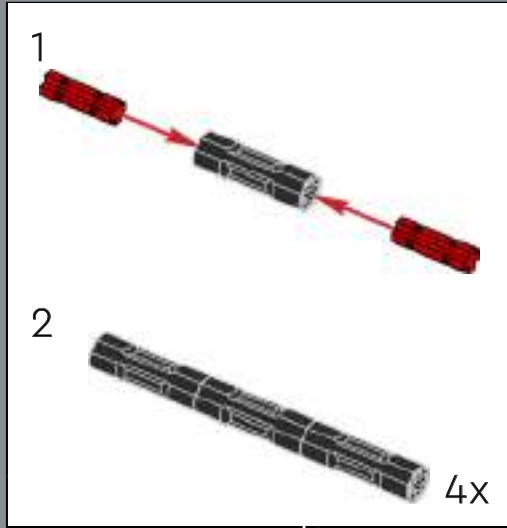


465

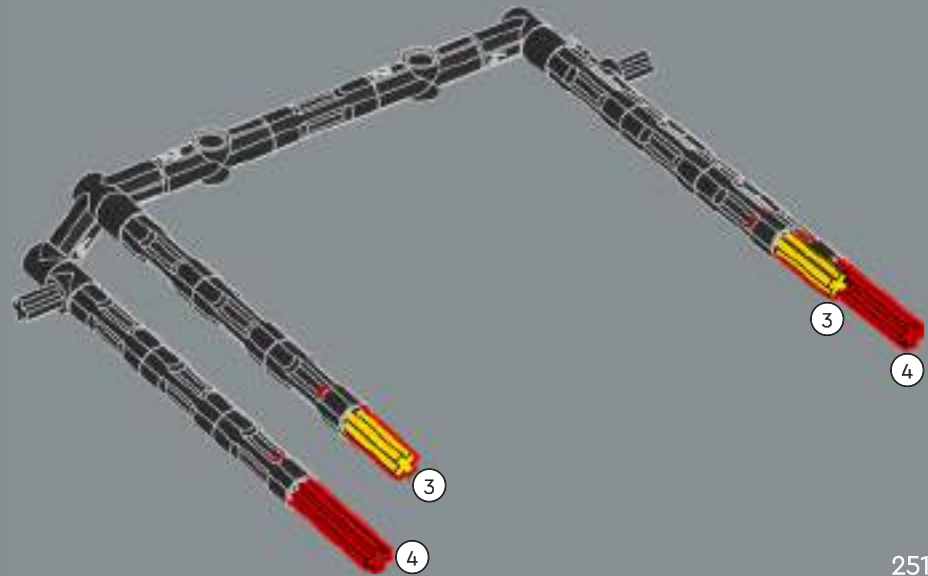
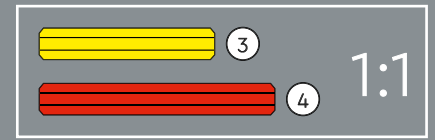




466



467



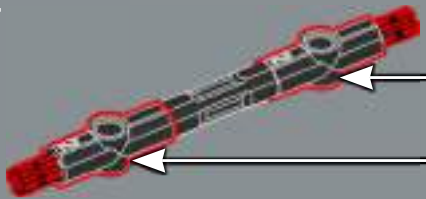


468

1



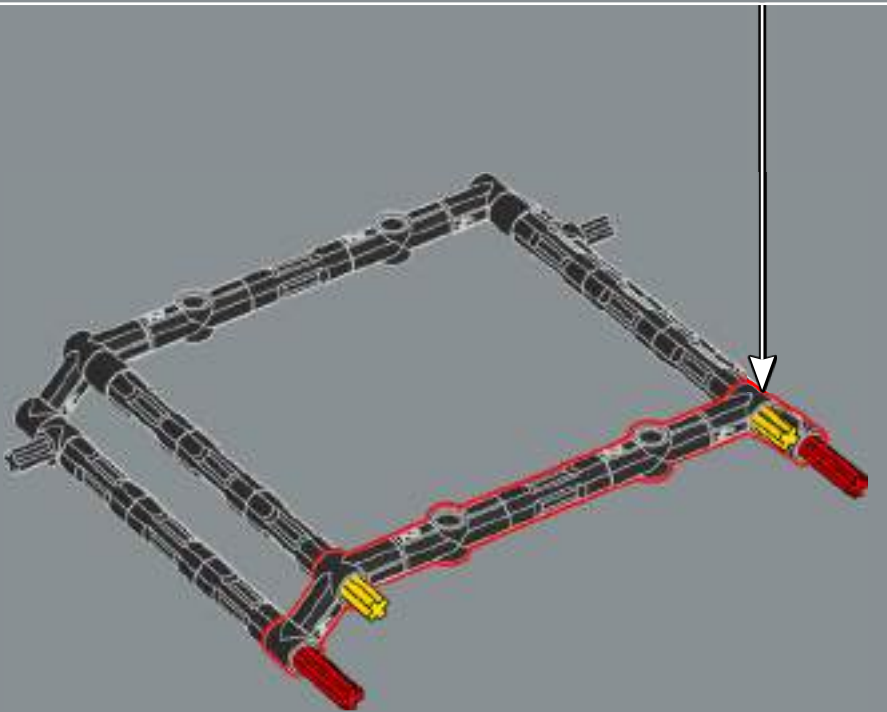
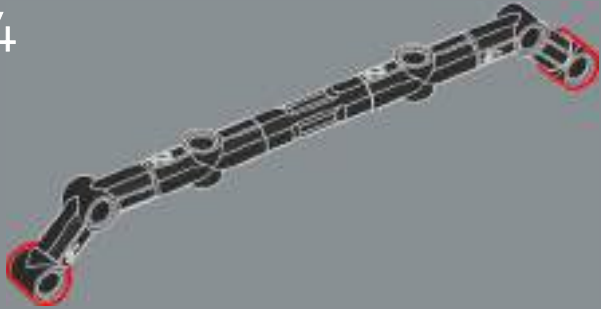
2



3

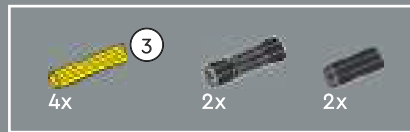
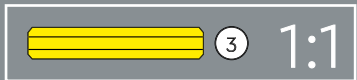
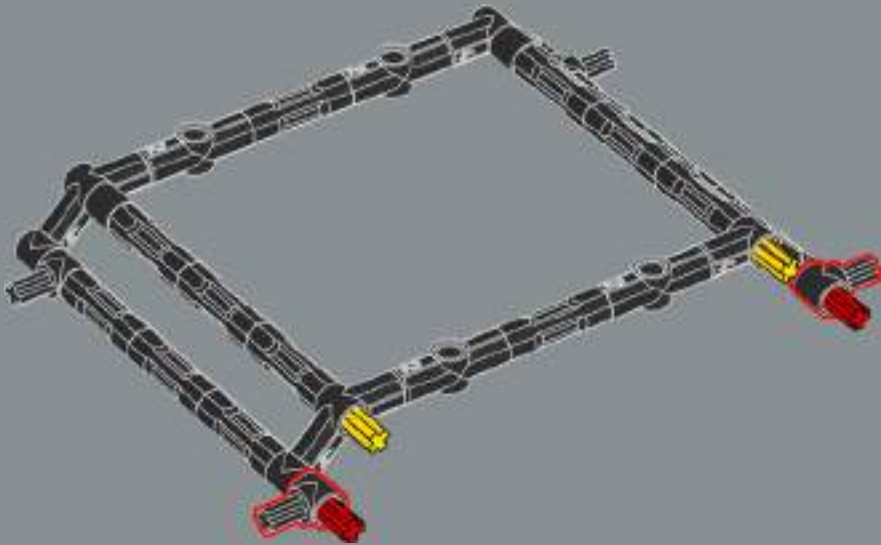


4

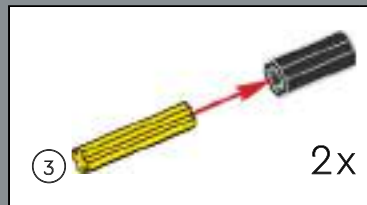
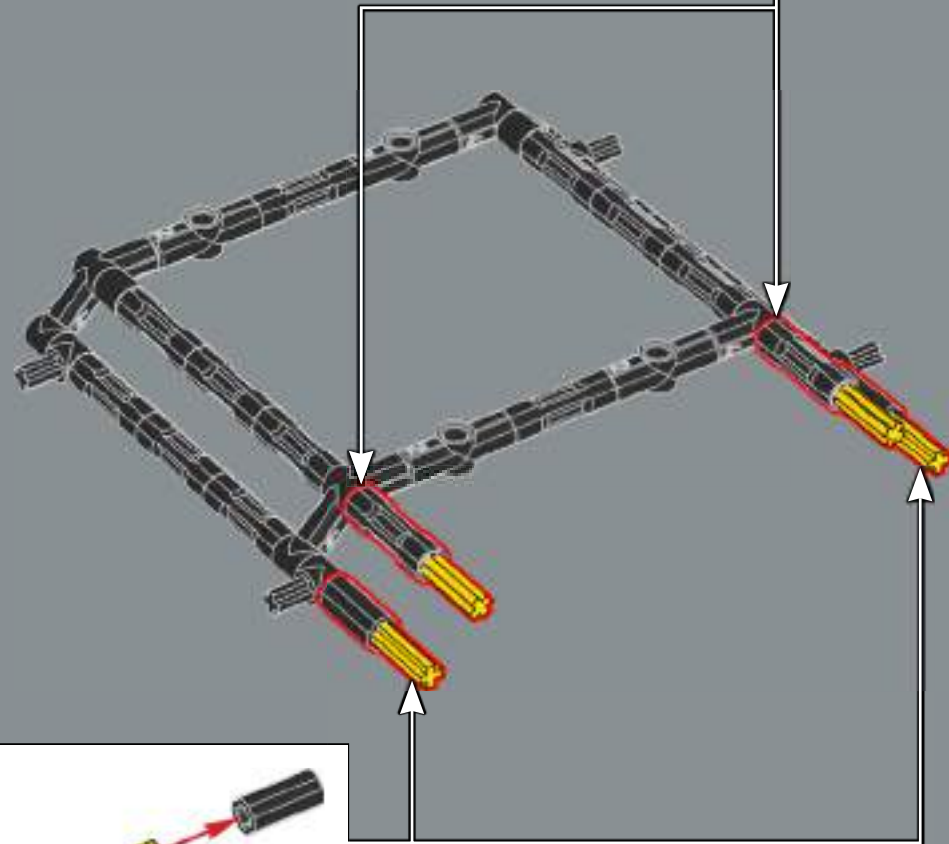
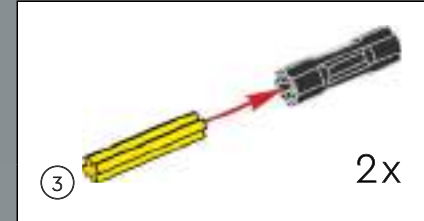


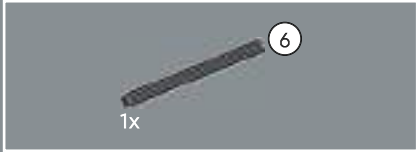
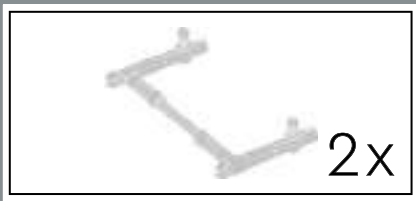


469



470

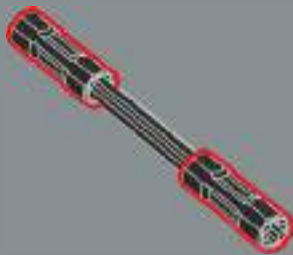




471



472



473

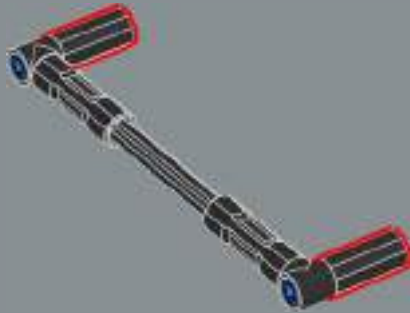


474

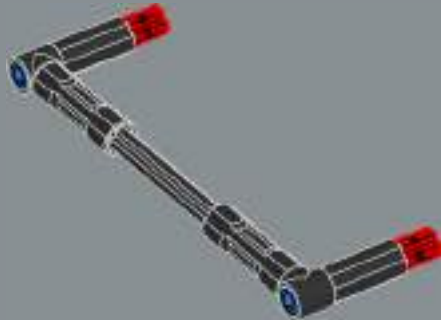




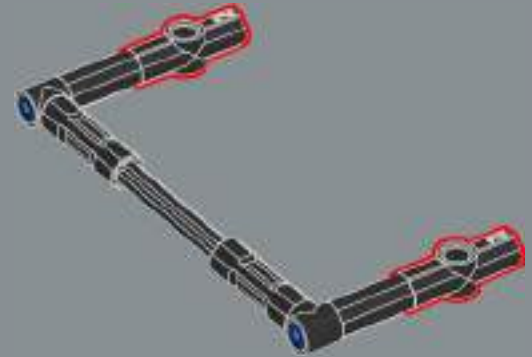
475



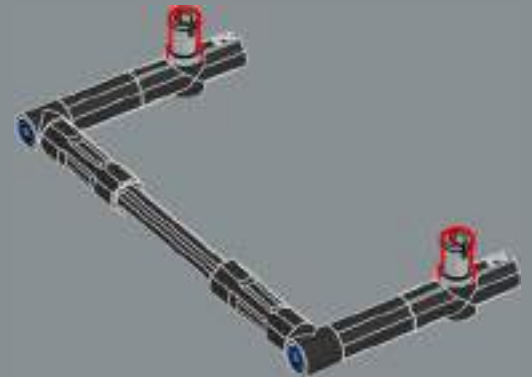
476



477



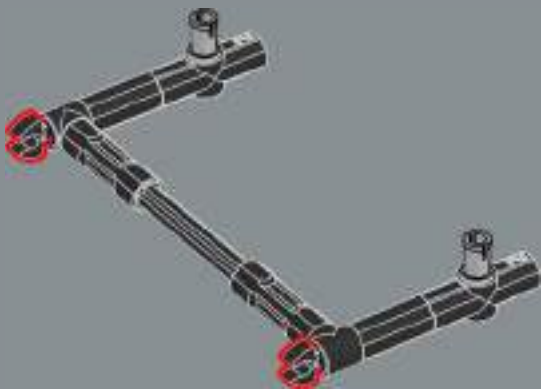
478





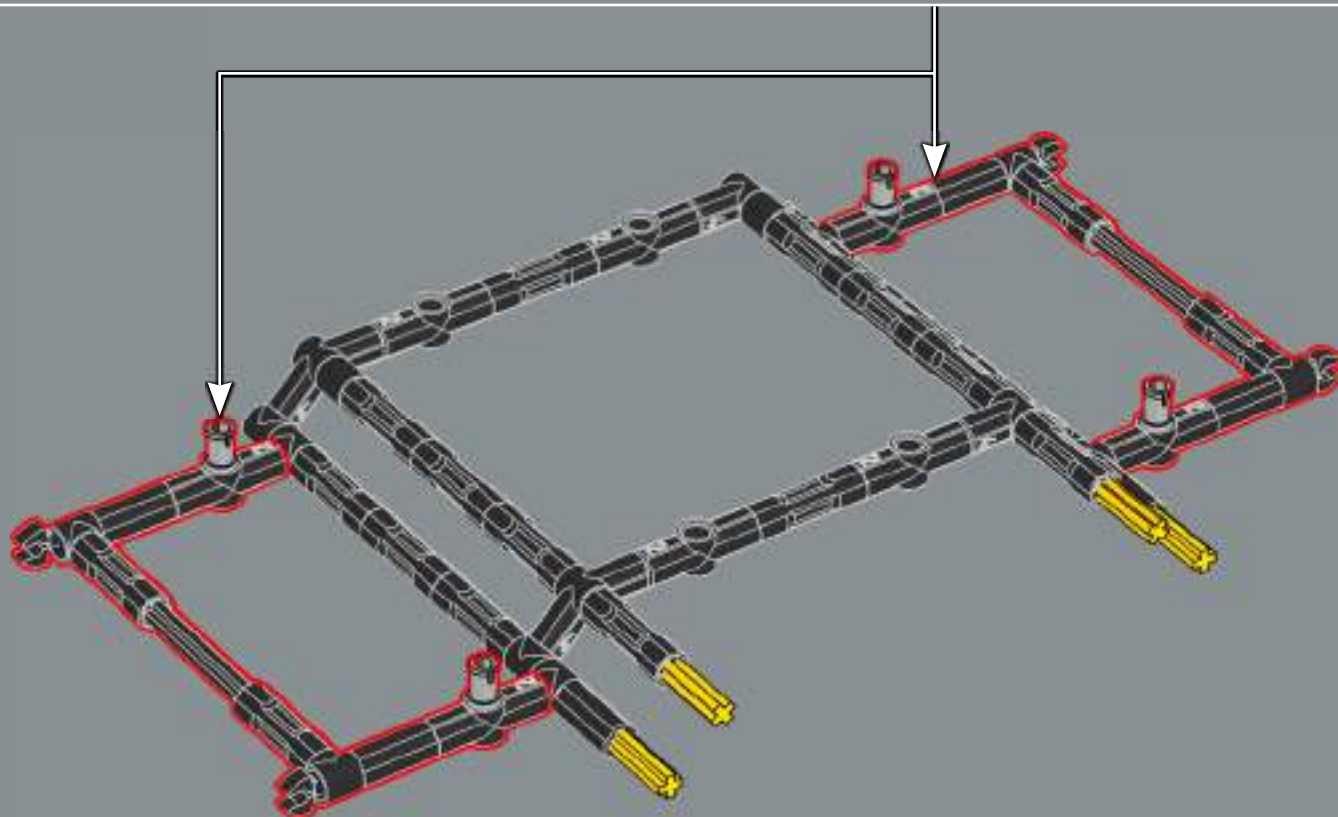
2x

479



2x

480



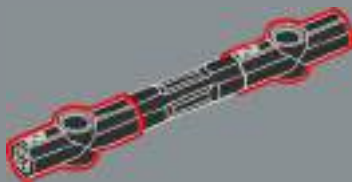


481

1



2



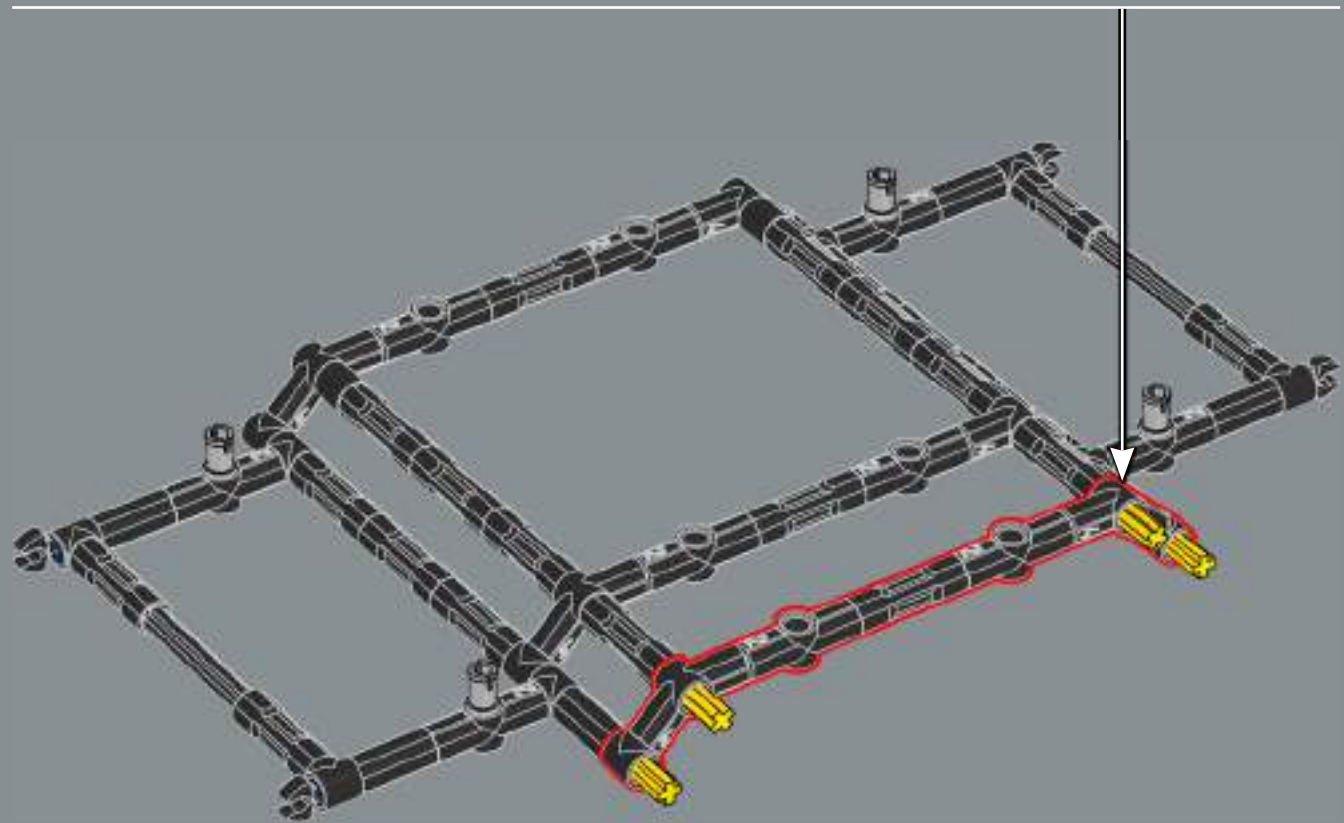
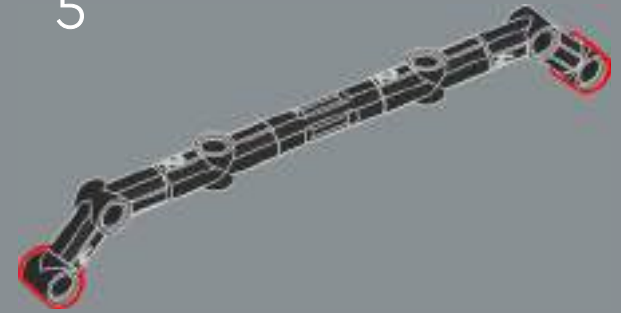
3



4

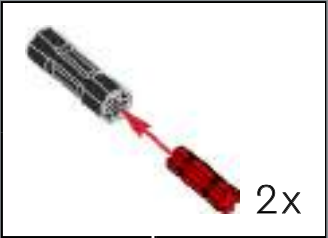
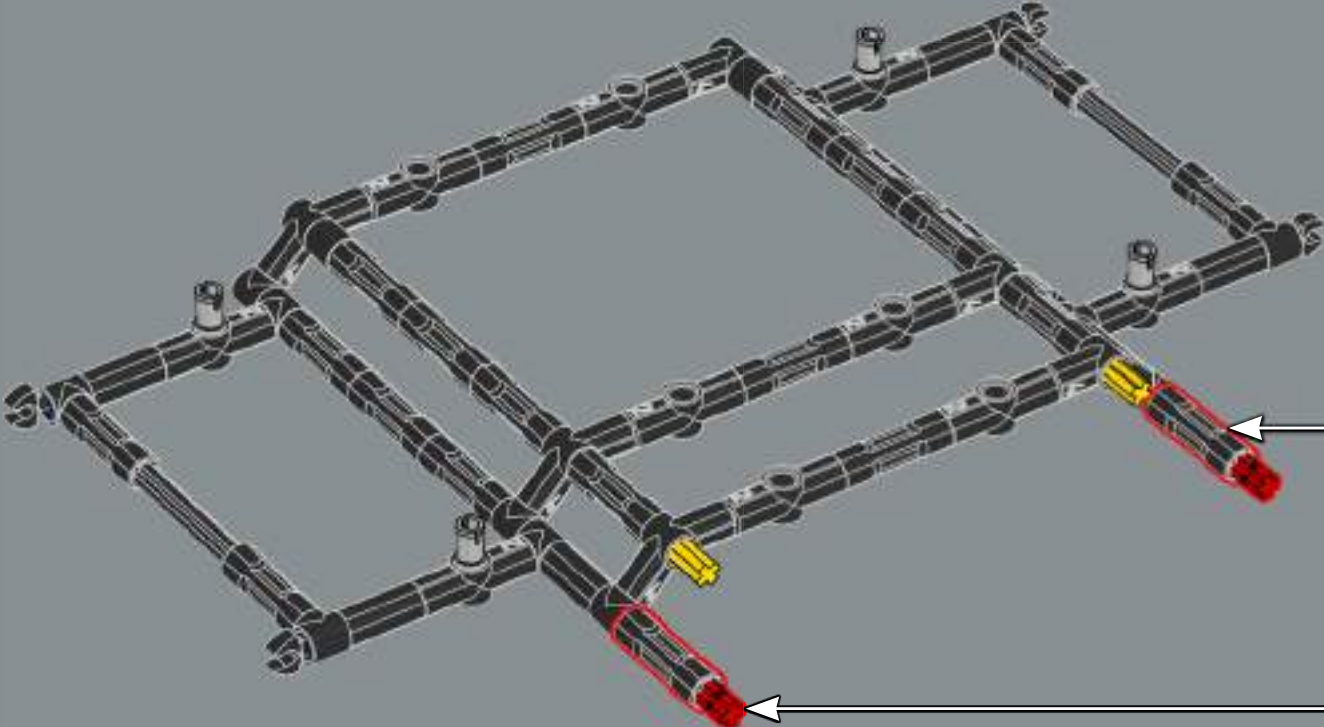


5





482

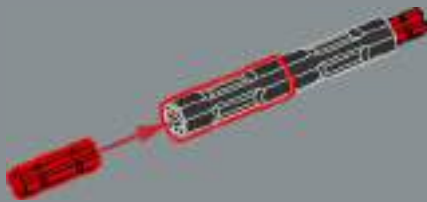




483



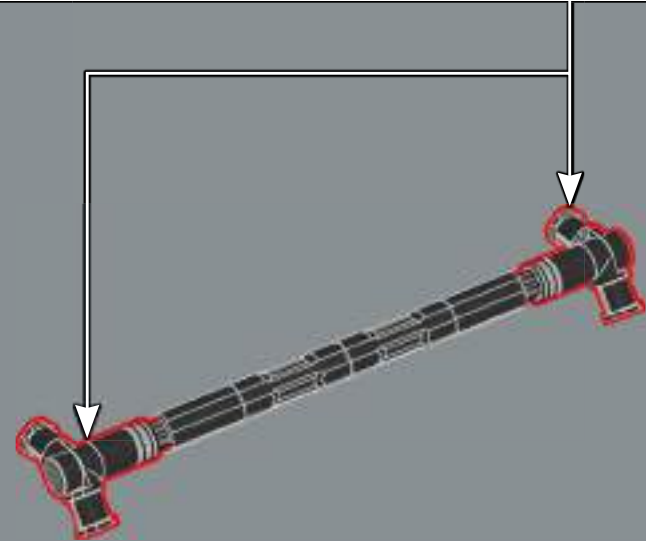
484



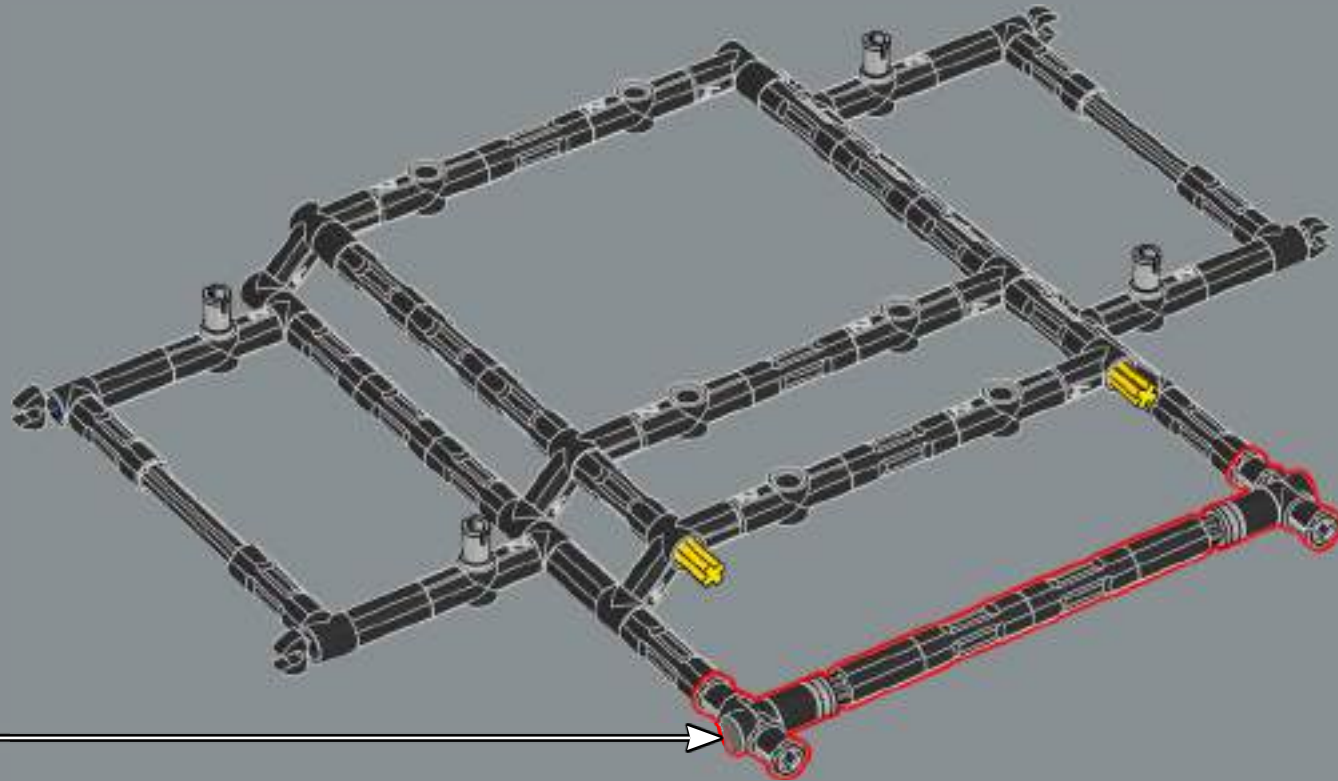
485



486

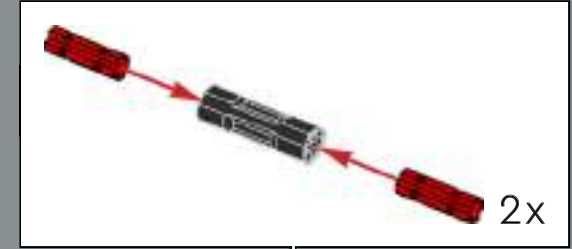
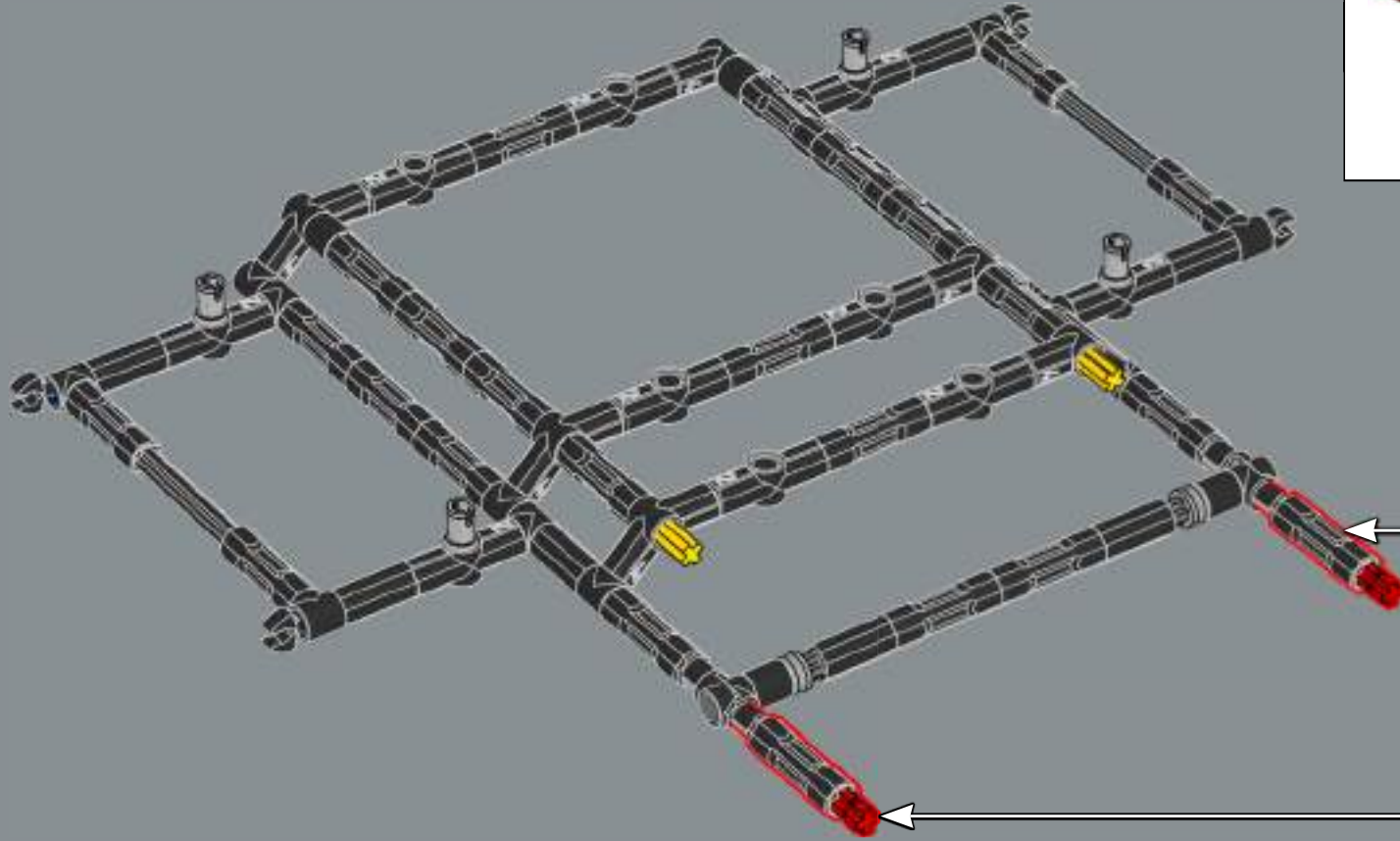


487





488

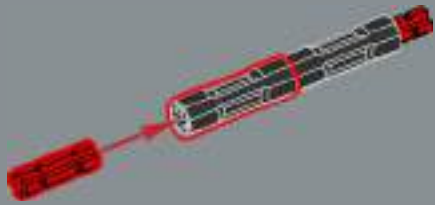




489



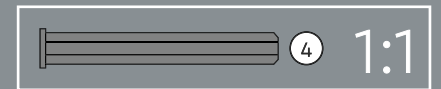
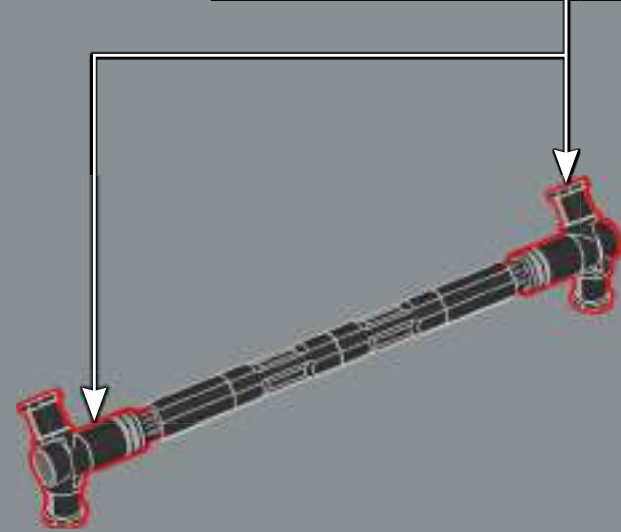
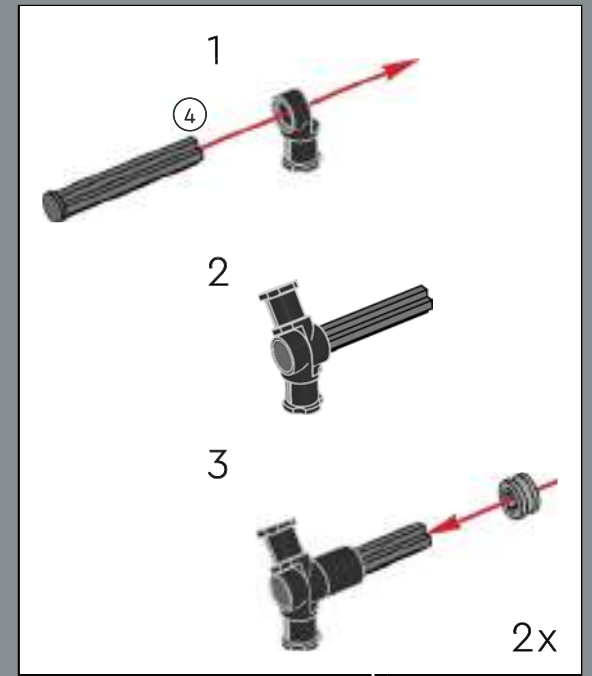
490

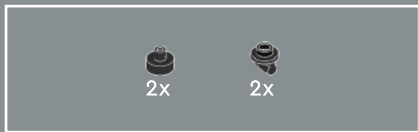


491

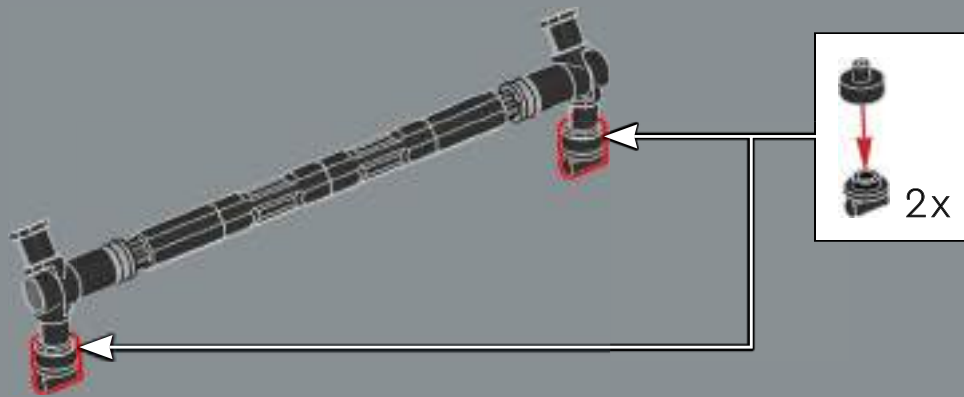


492

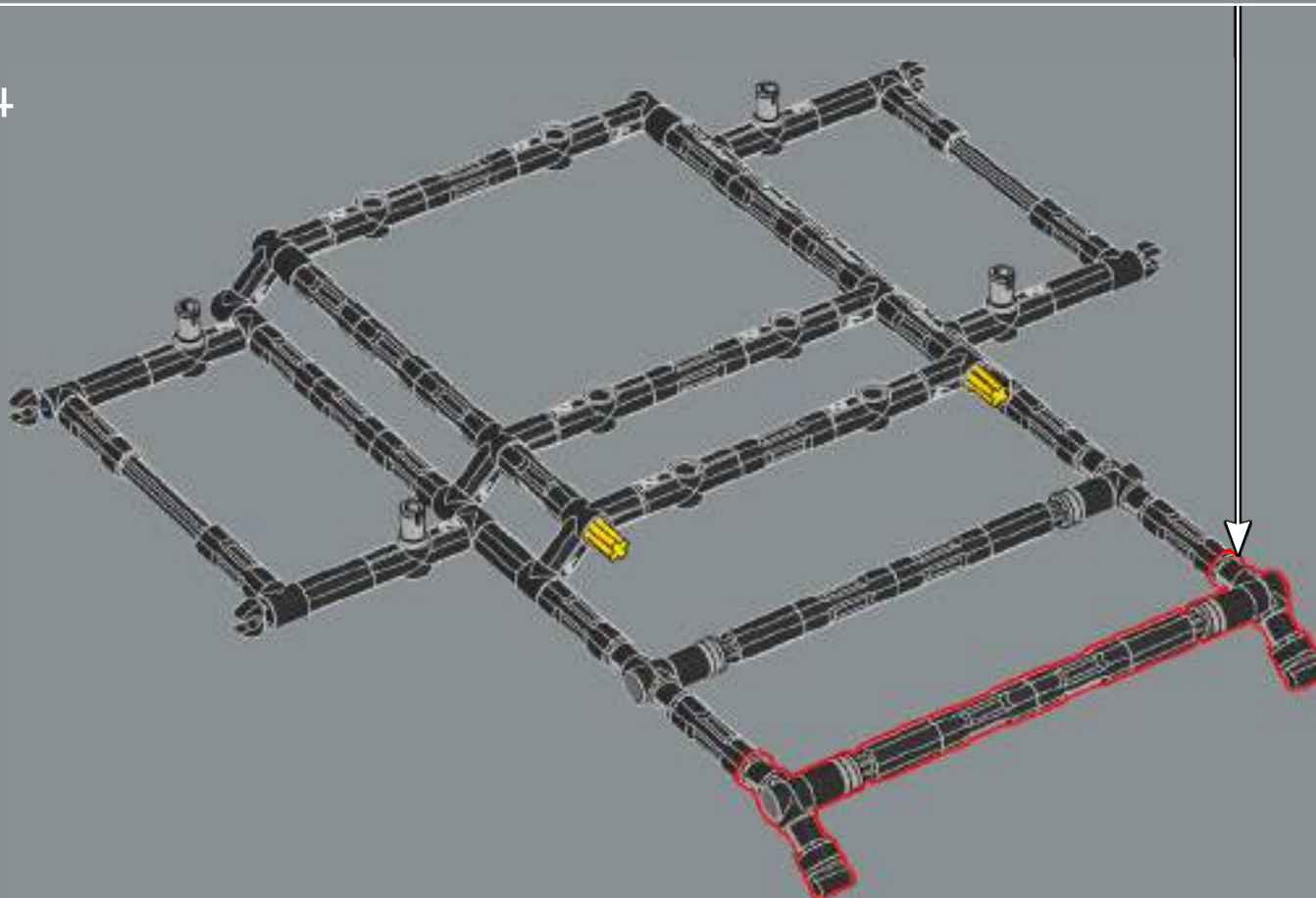


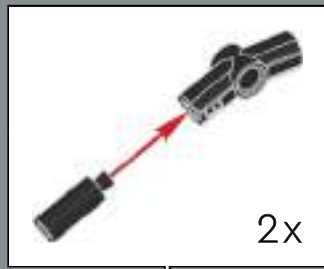


493

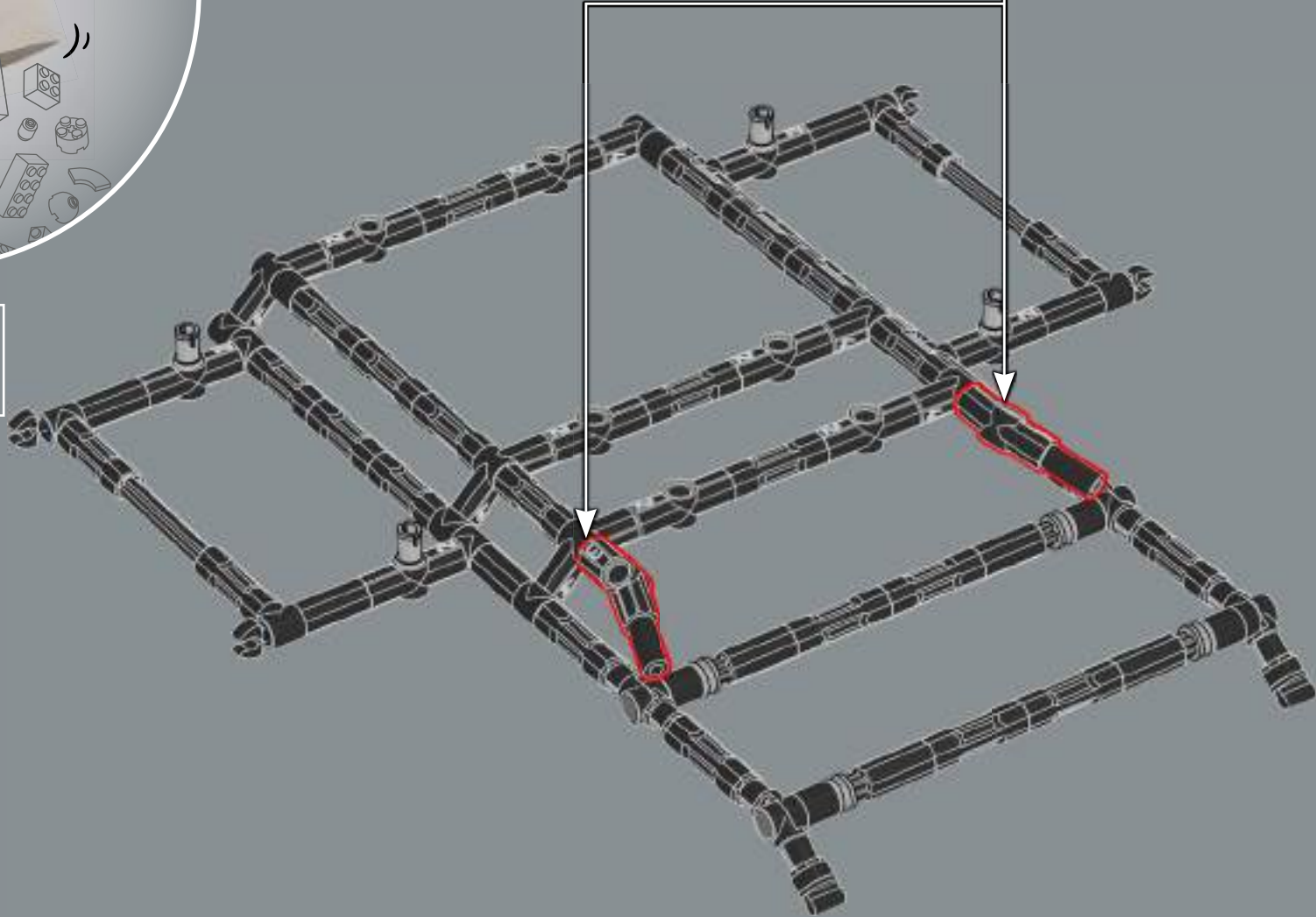


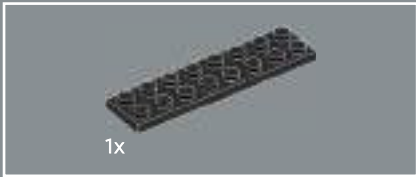
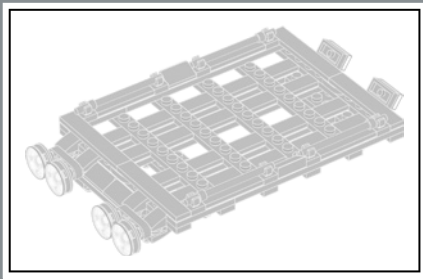
494





495





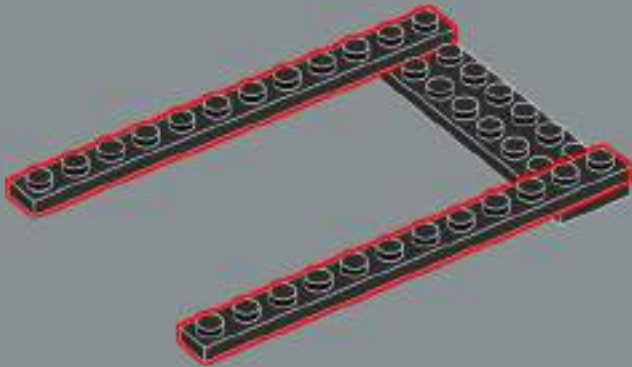
1x

496



2x

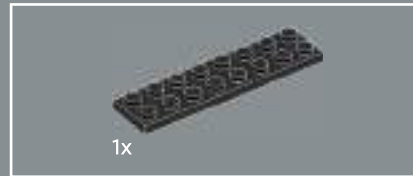
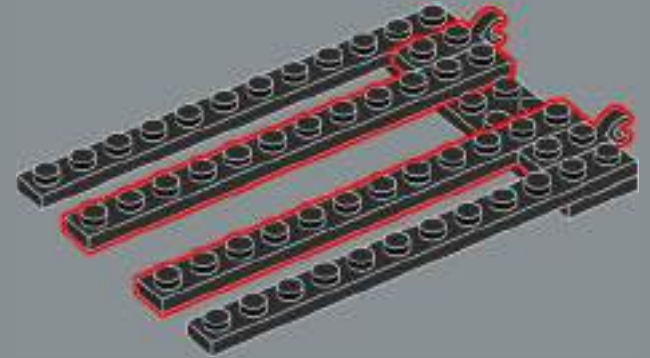
497



2x

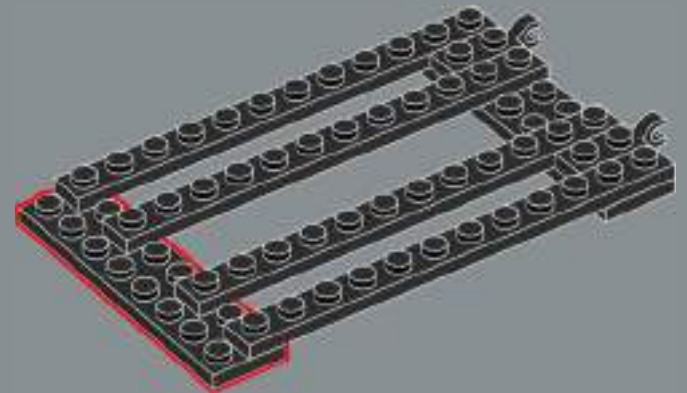
2x

498



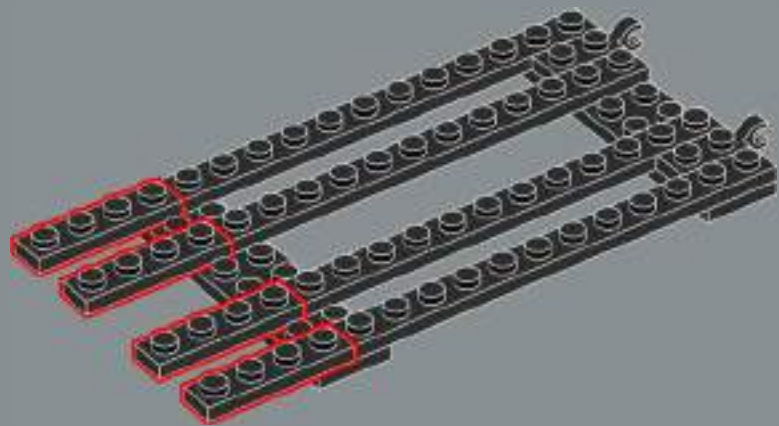
1x

499

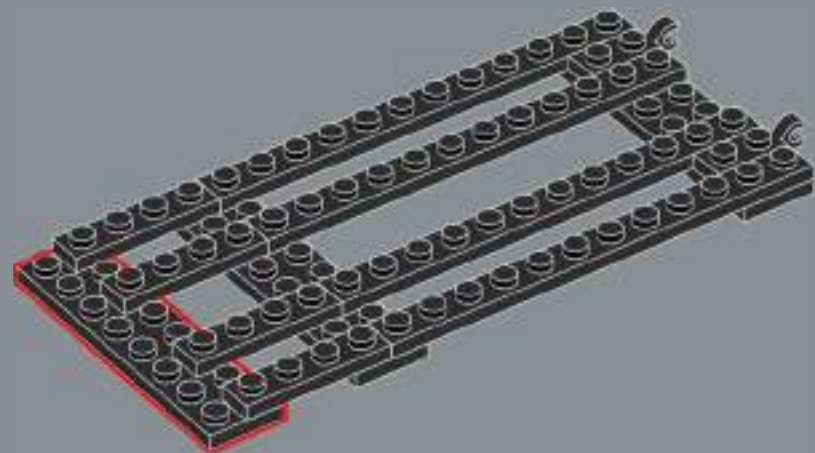




500



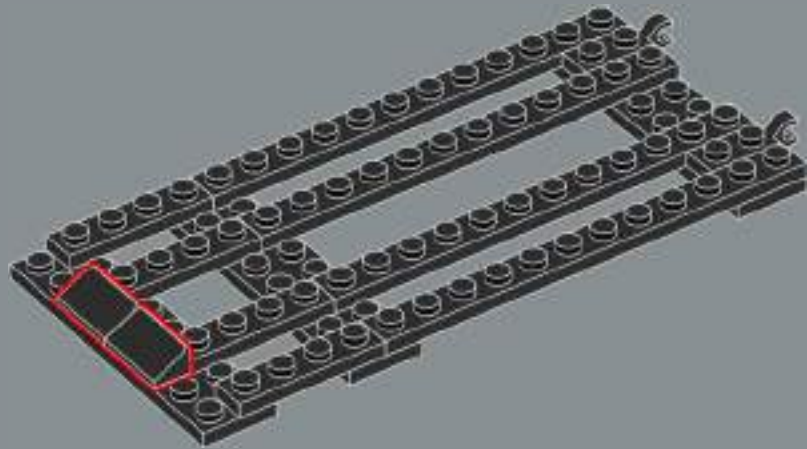
501





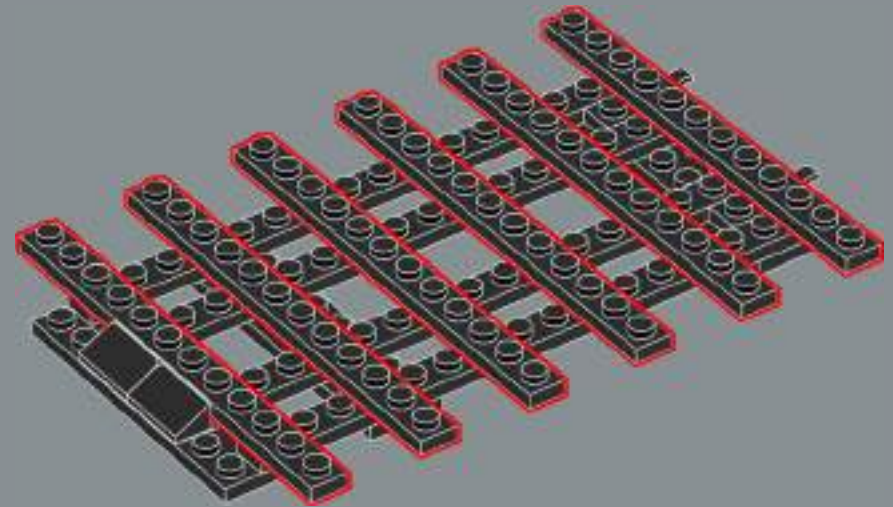
2x

502



6x

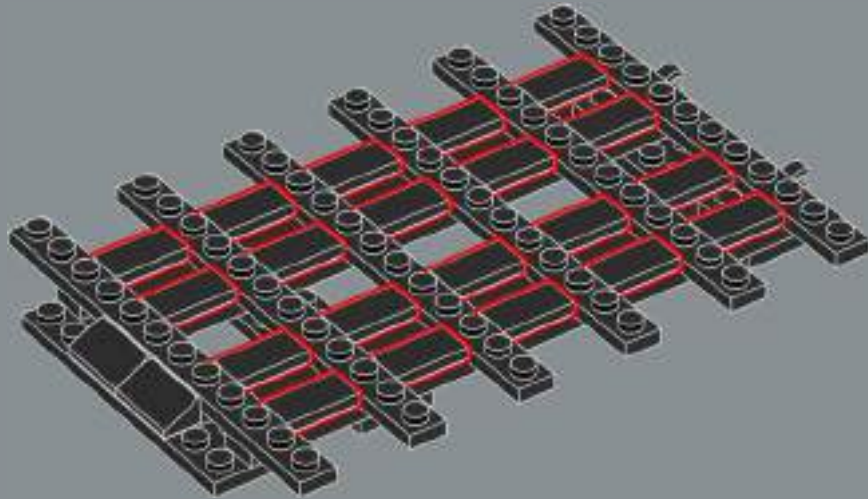
503





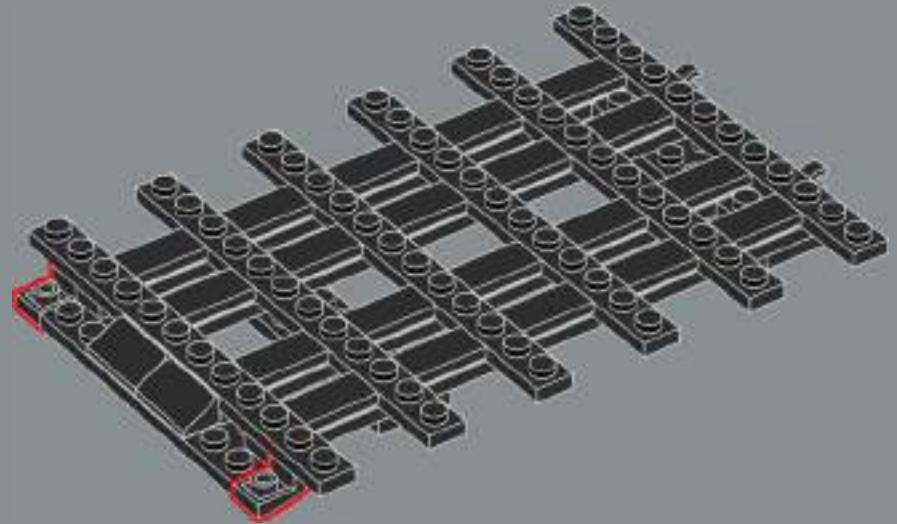
20x

504



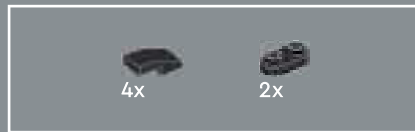
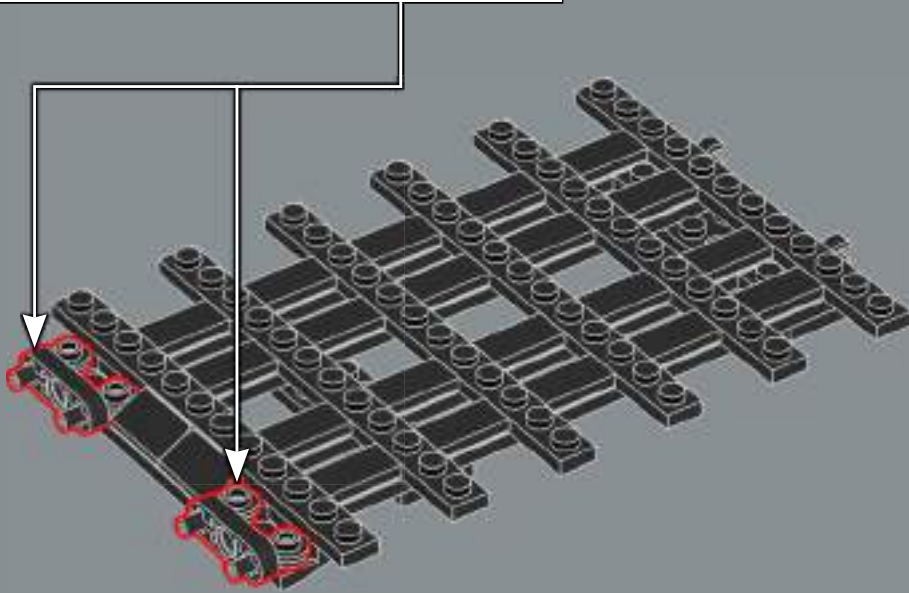
2x

505

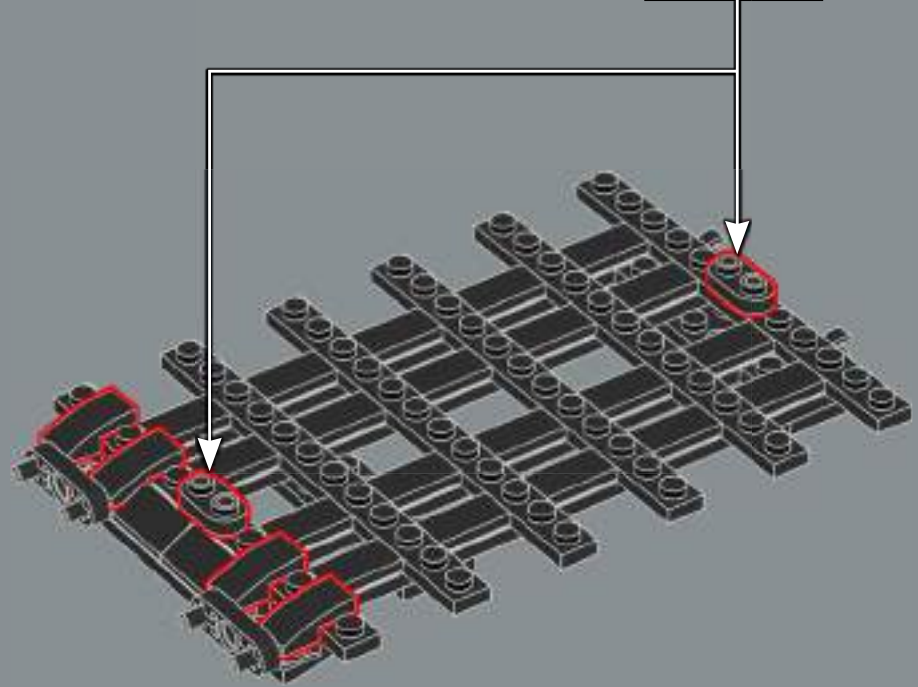




506

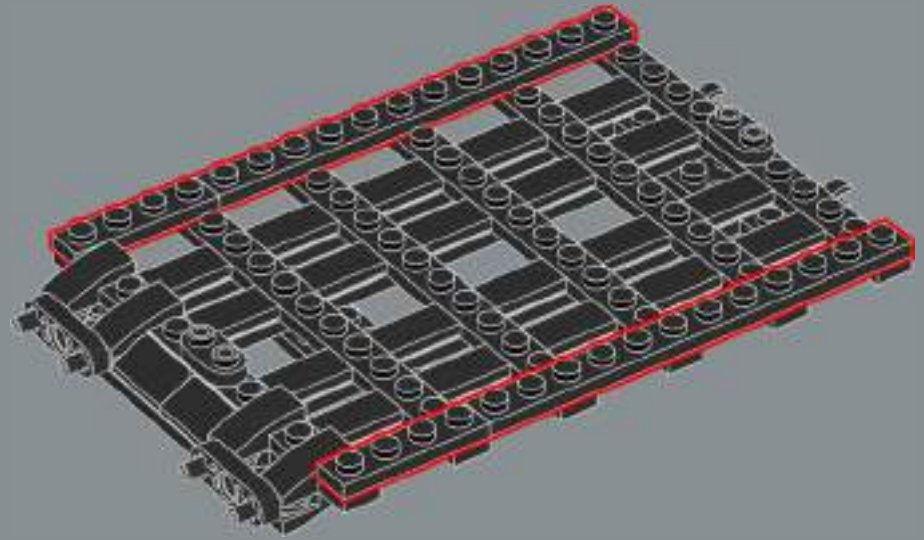


507

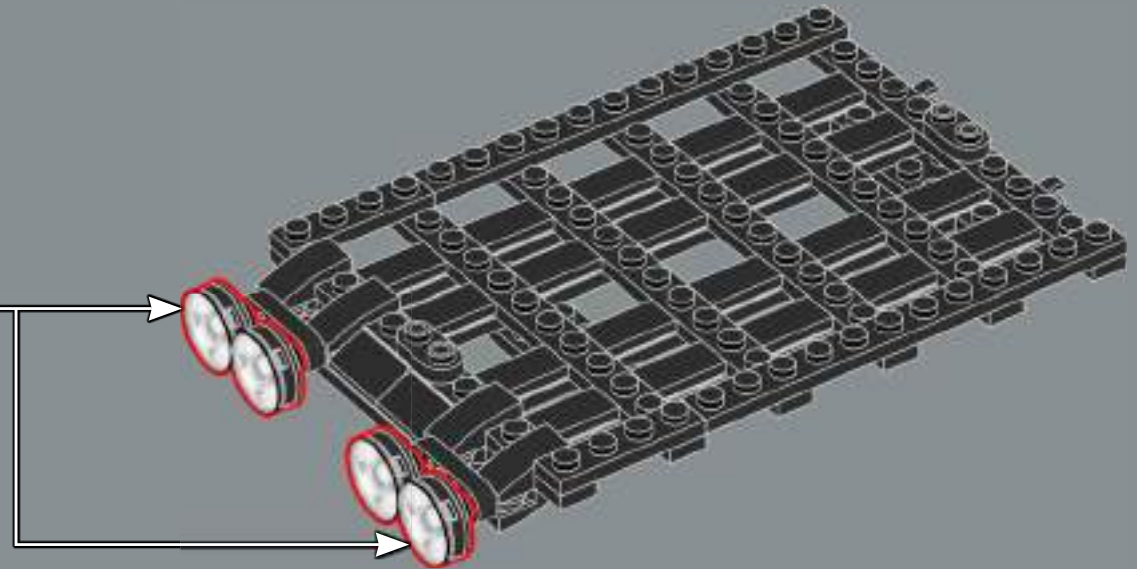
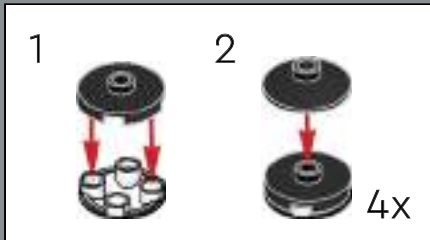




508

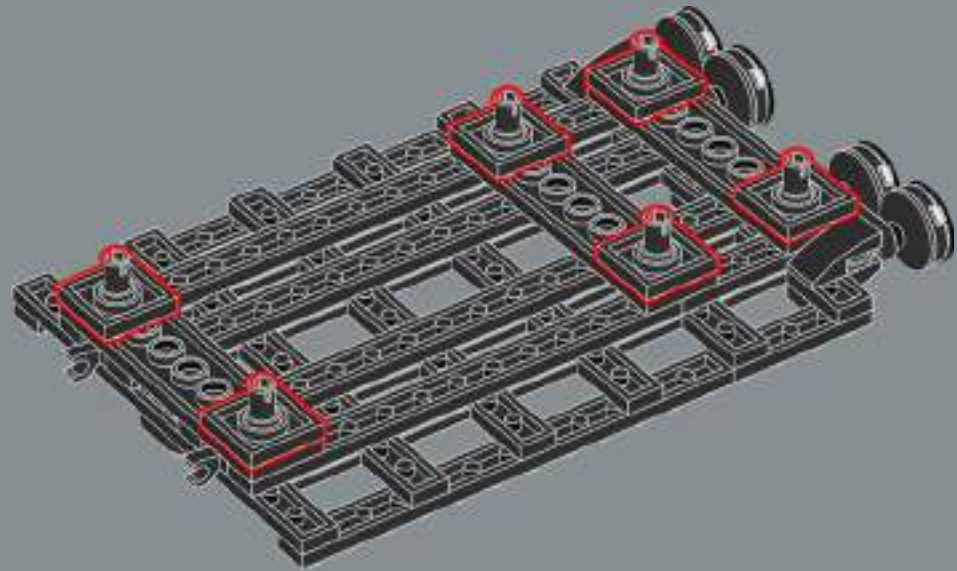


509

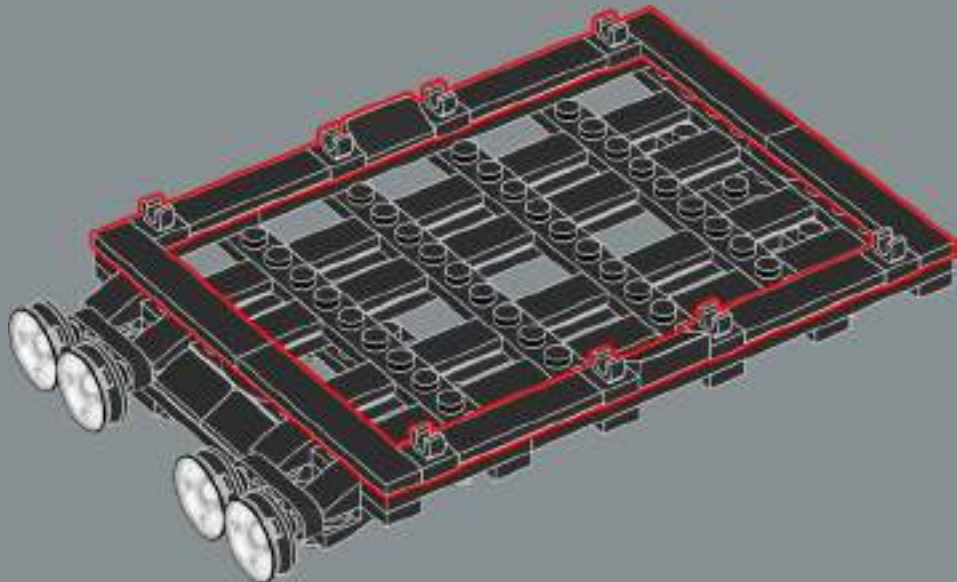




510

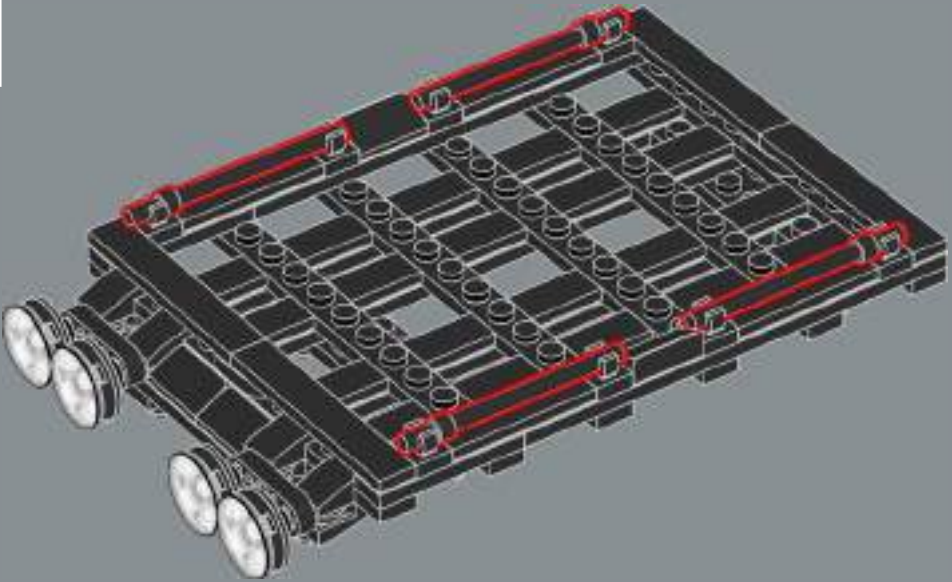


511

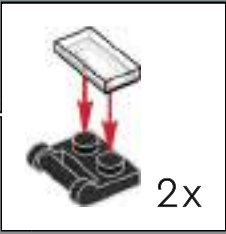
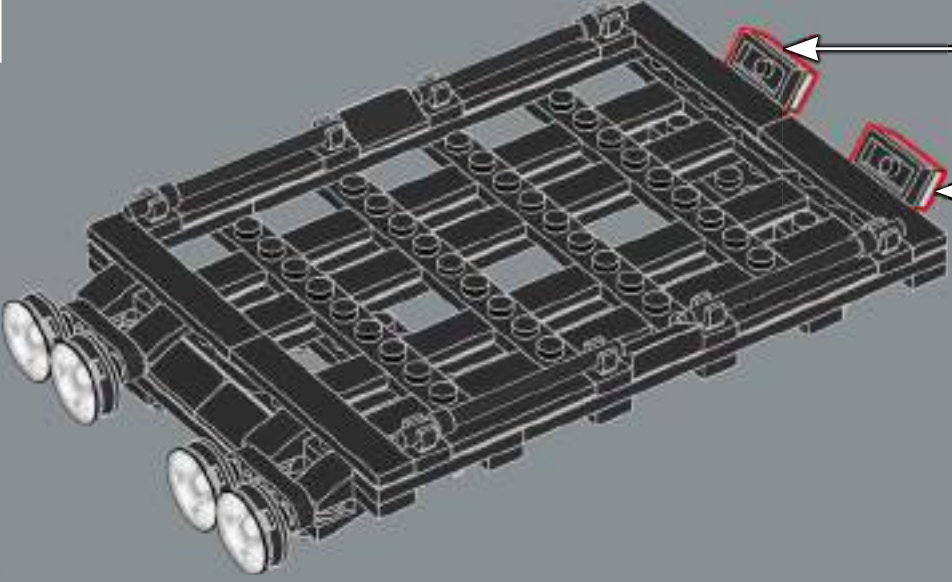




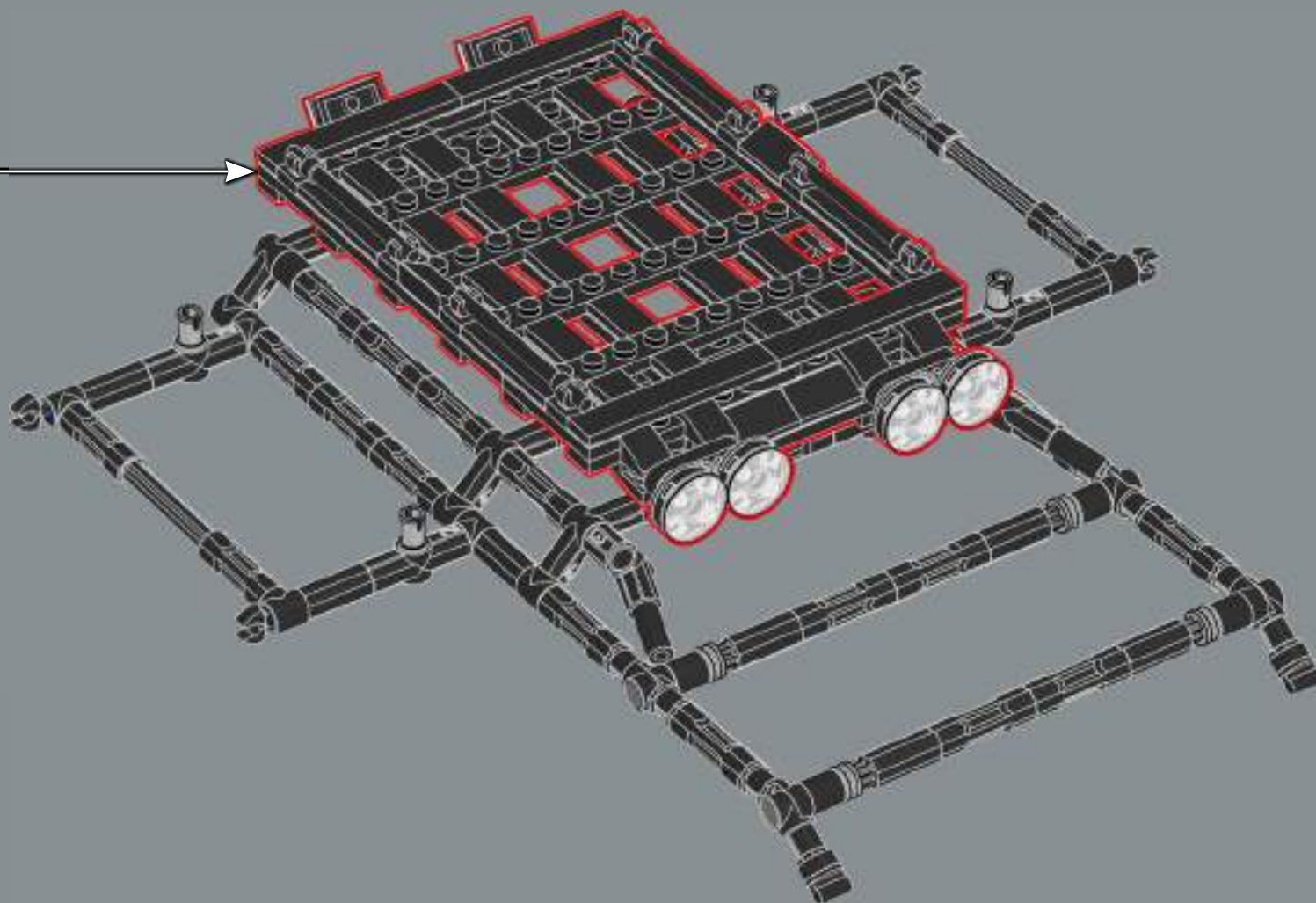
512



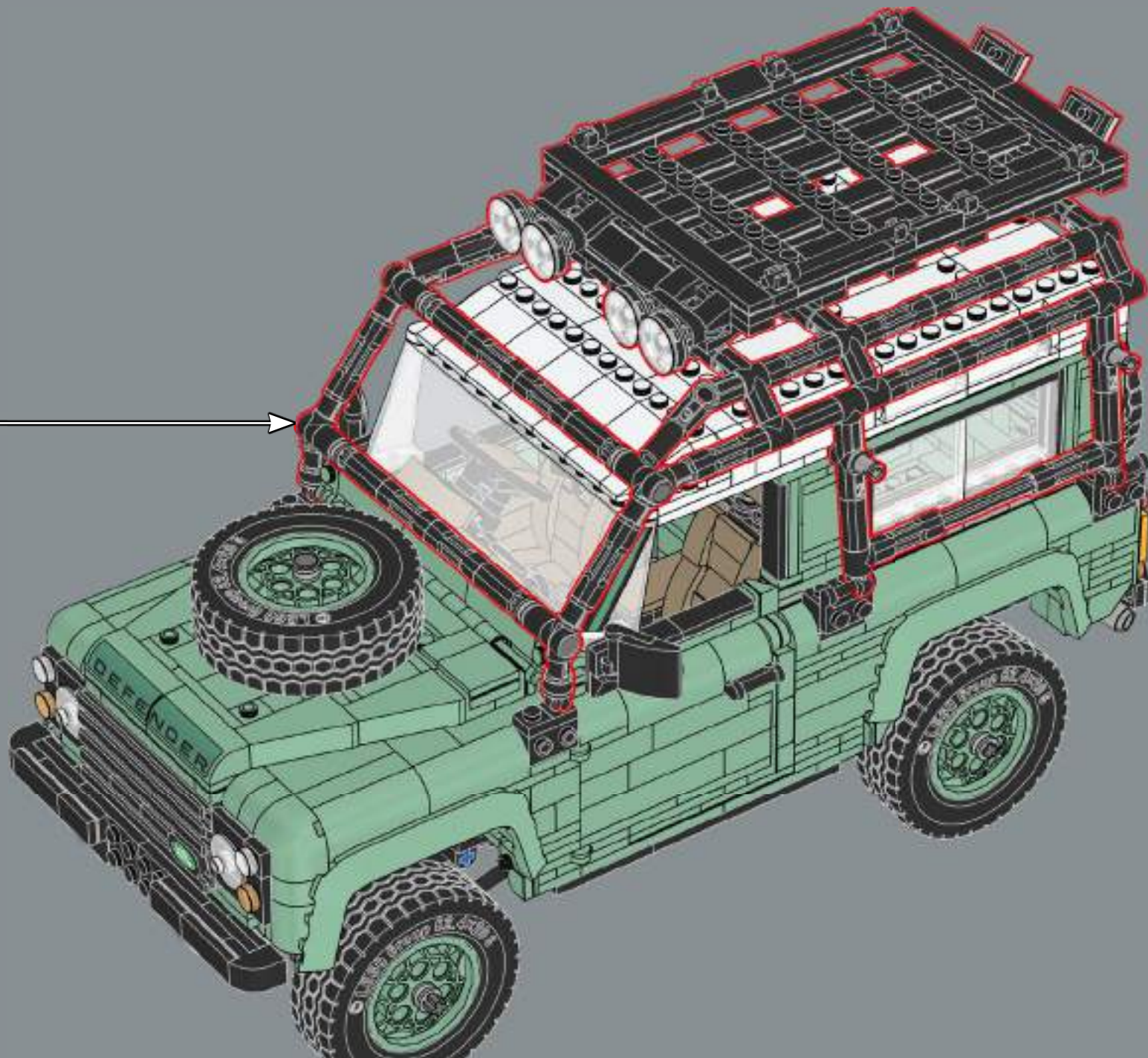
513



514

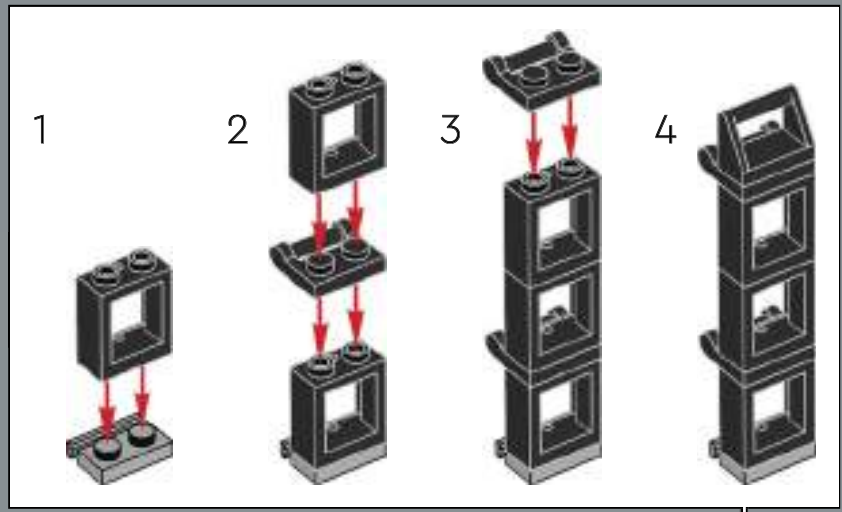
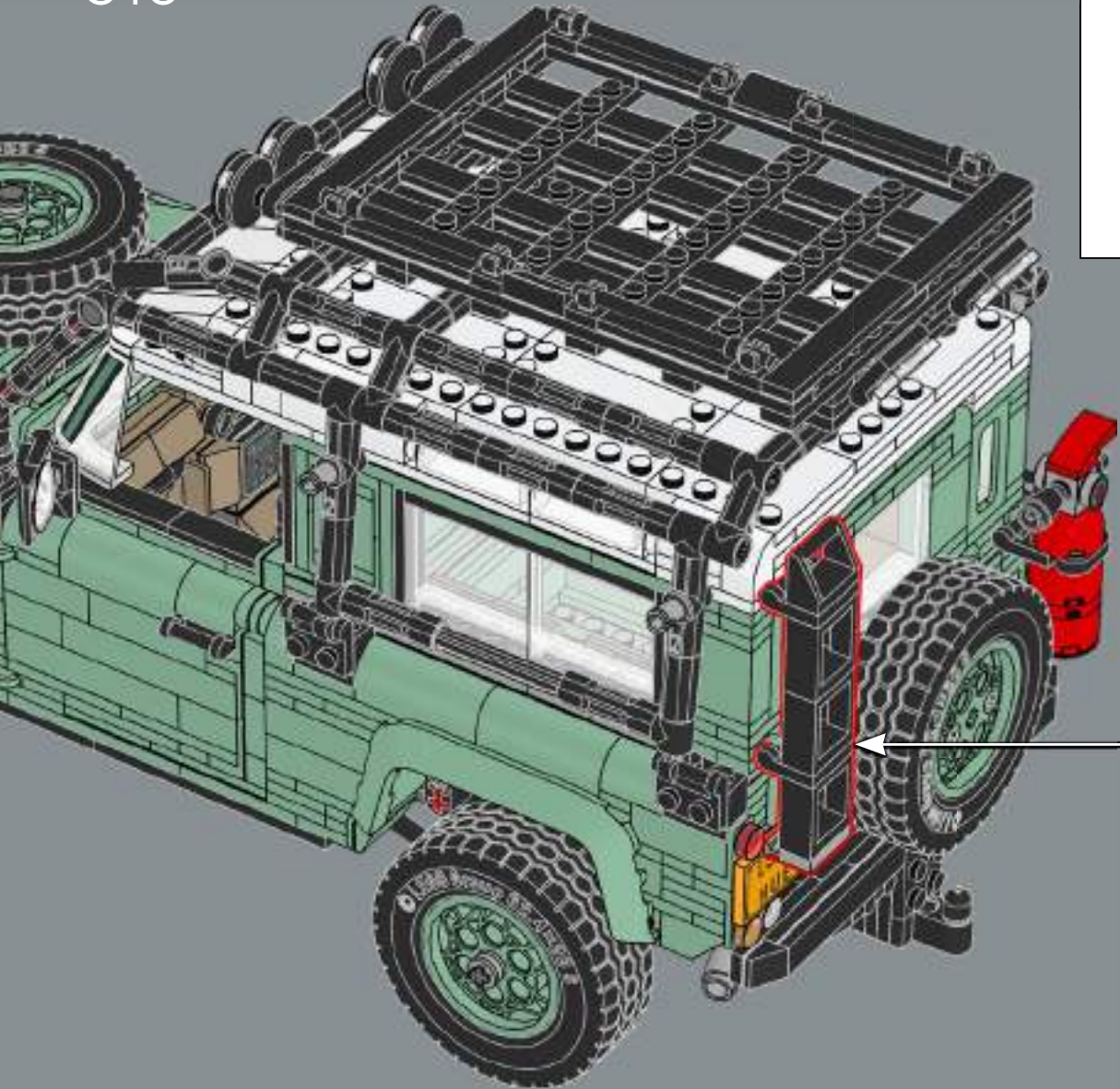


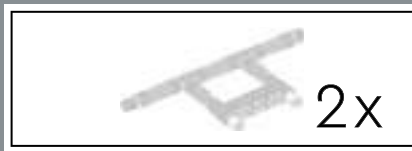
515



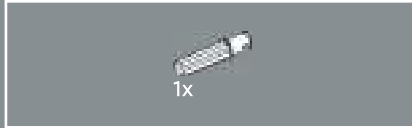


516





517



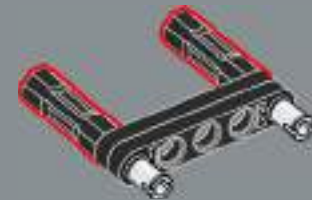
518



519

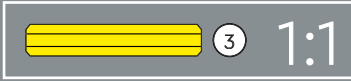
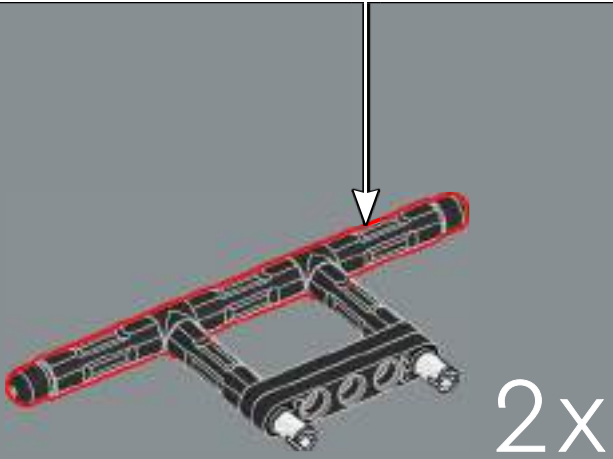
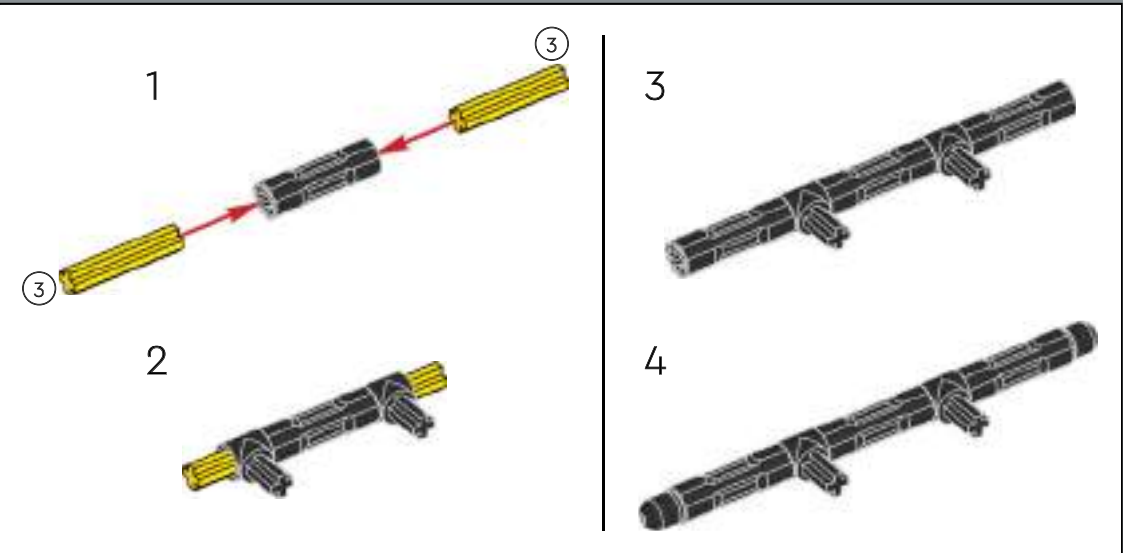


520

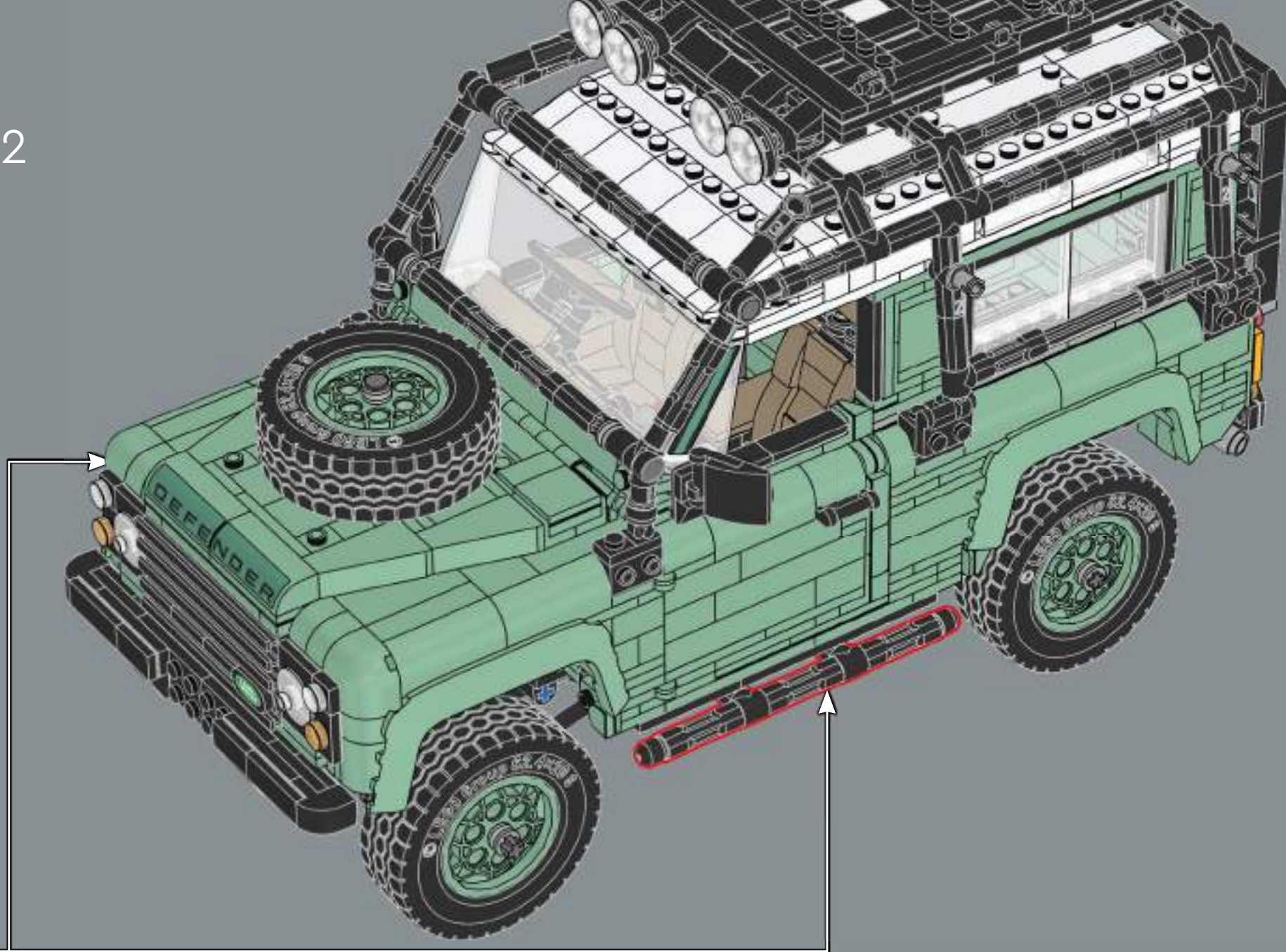


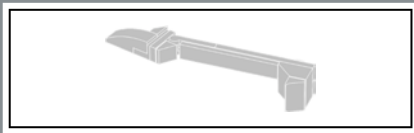


521



522

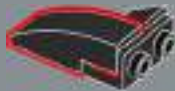




523



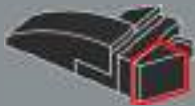
524

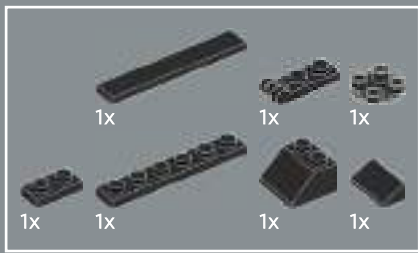


525

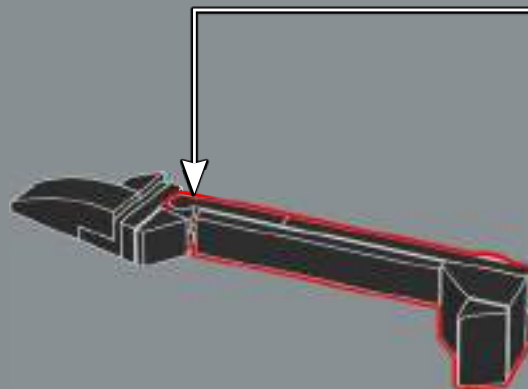
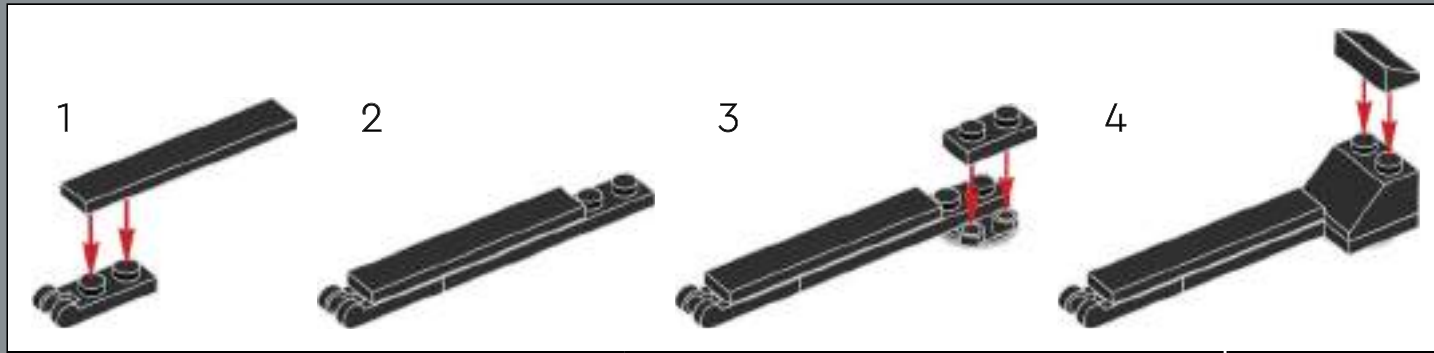


526

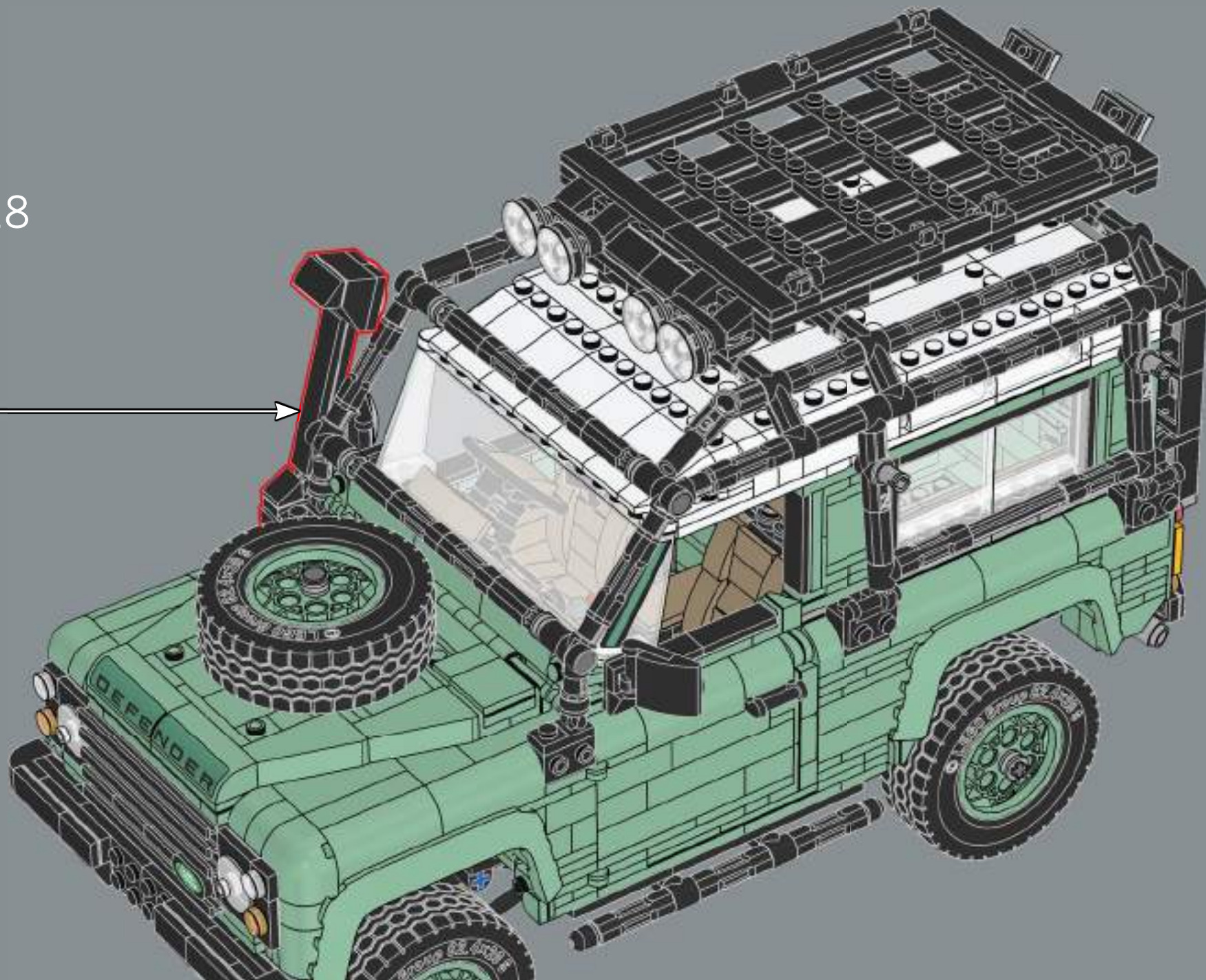




527

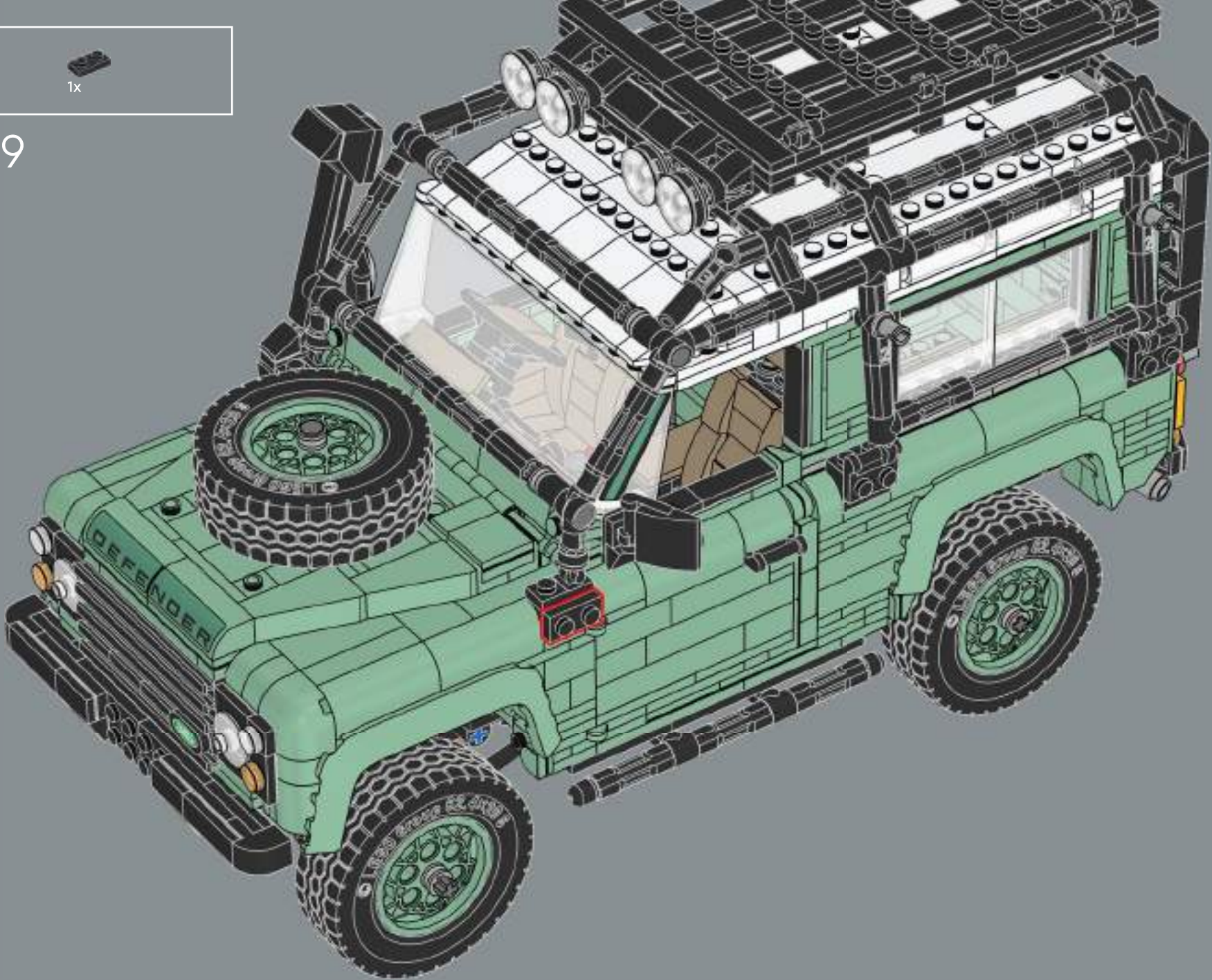


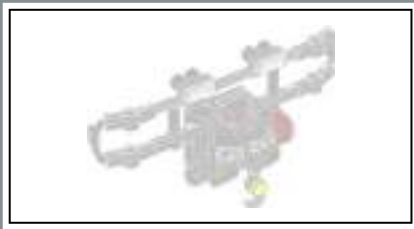
528



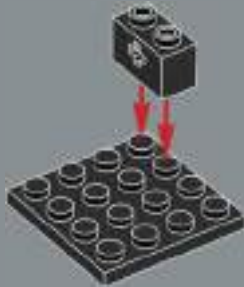
1x

529

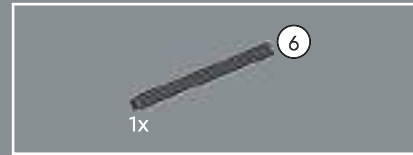




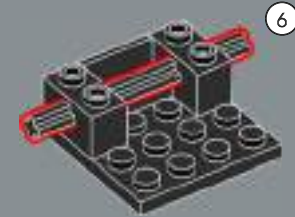
530



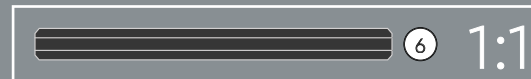
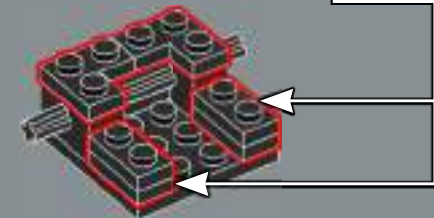
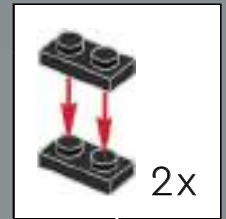
531



532

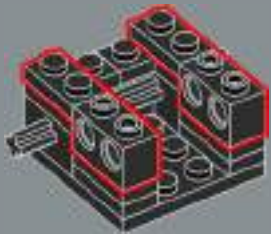


533

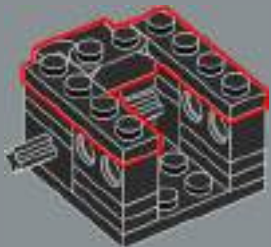




534



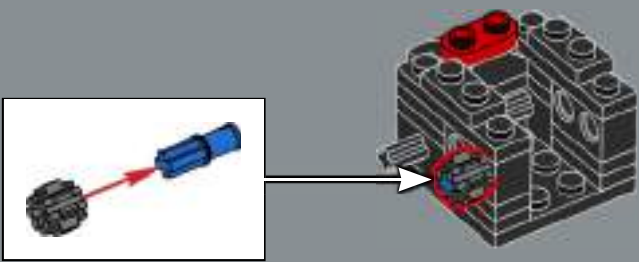
535



536

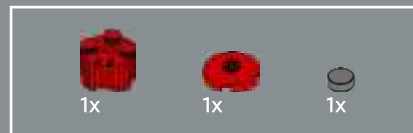
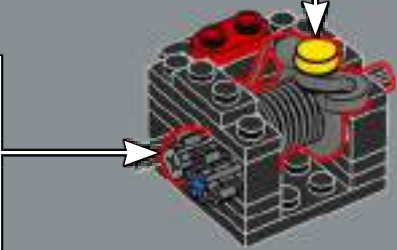
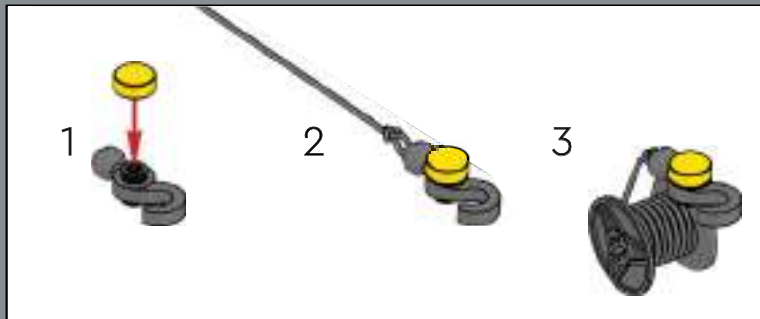


537

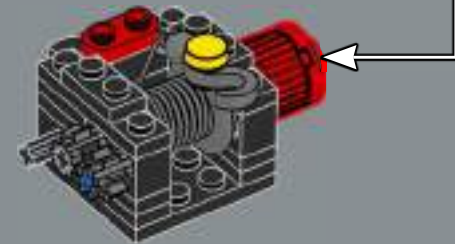
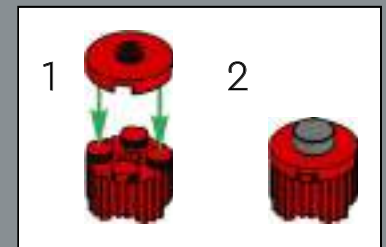




538



539

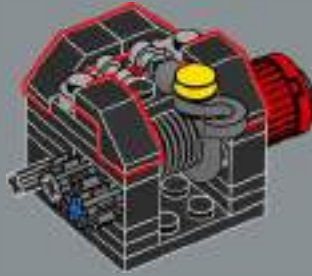


540

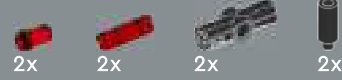
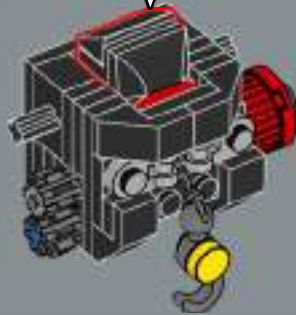
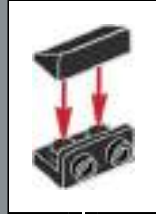




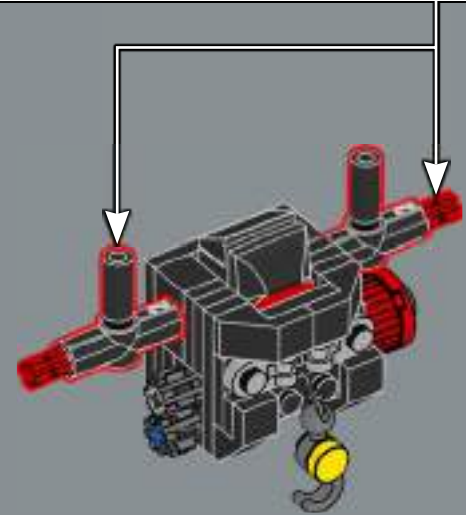
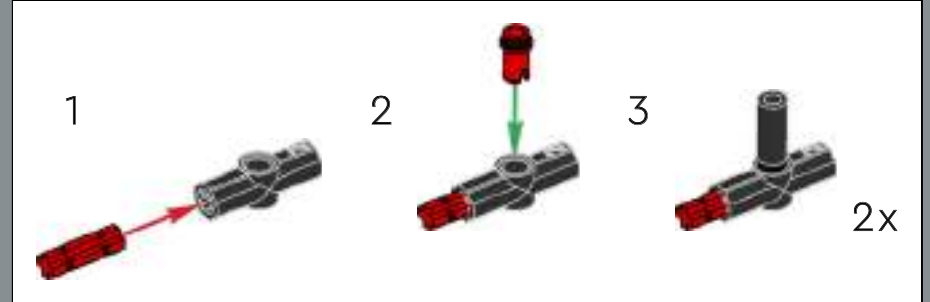
541

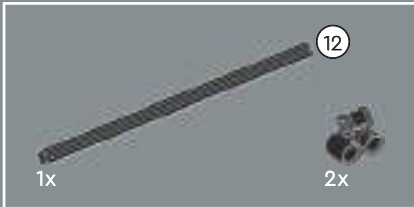
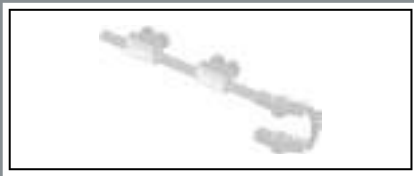


542

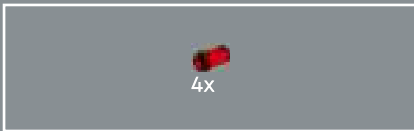


543

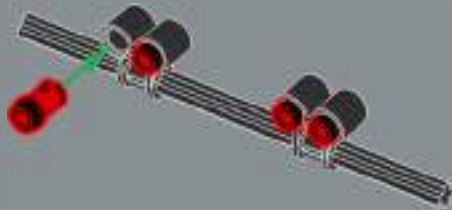




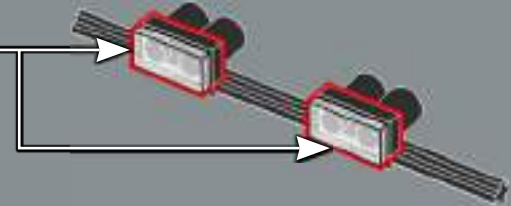
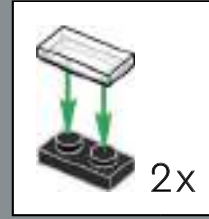
544



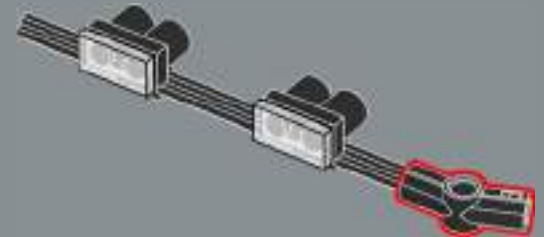
545



546

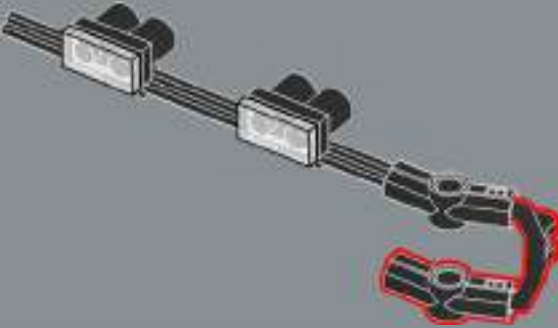


547

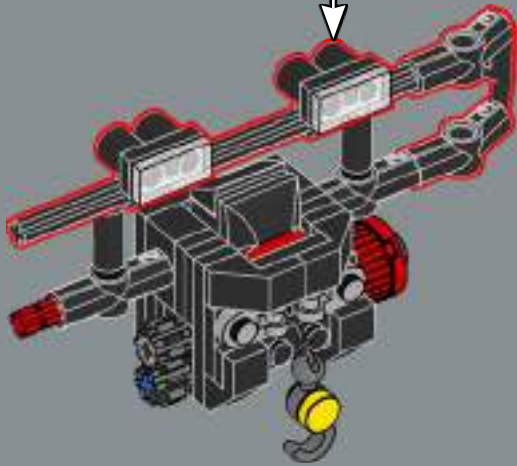




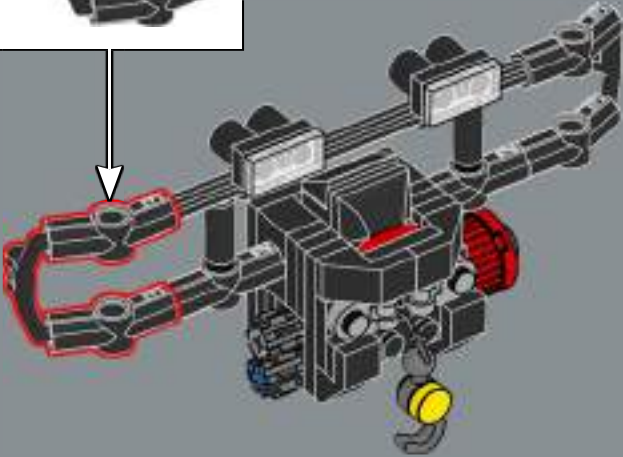
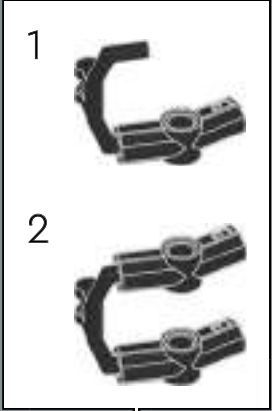
548



549



550

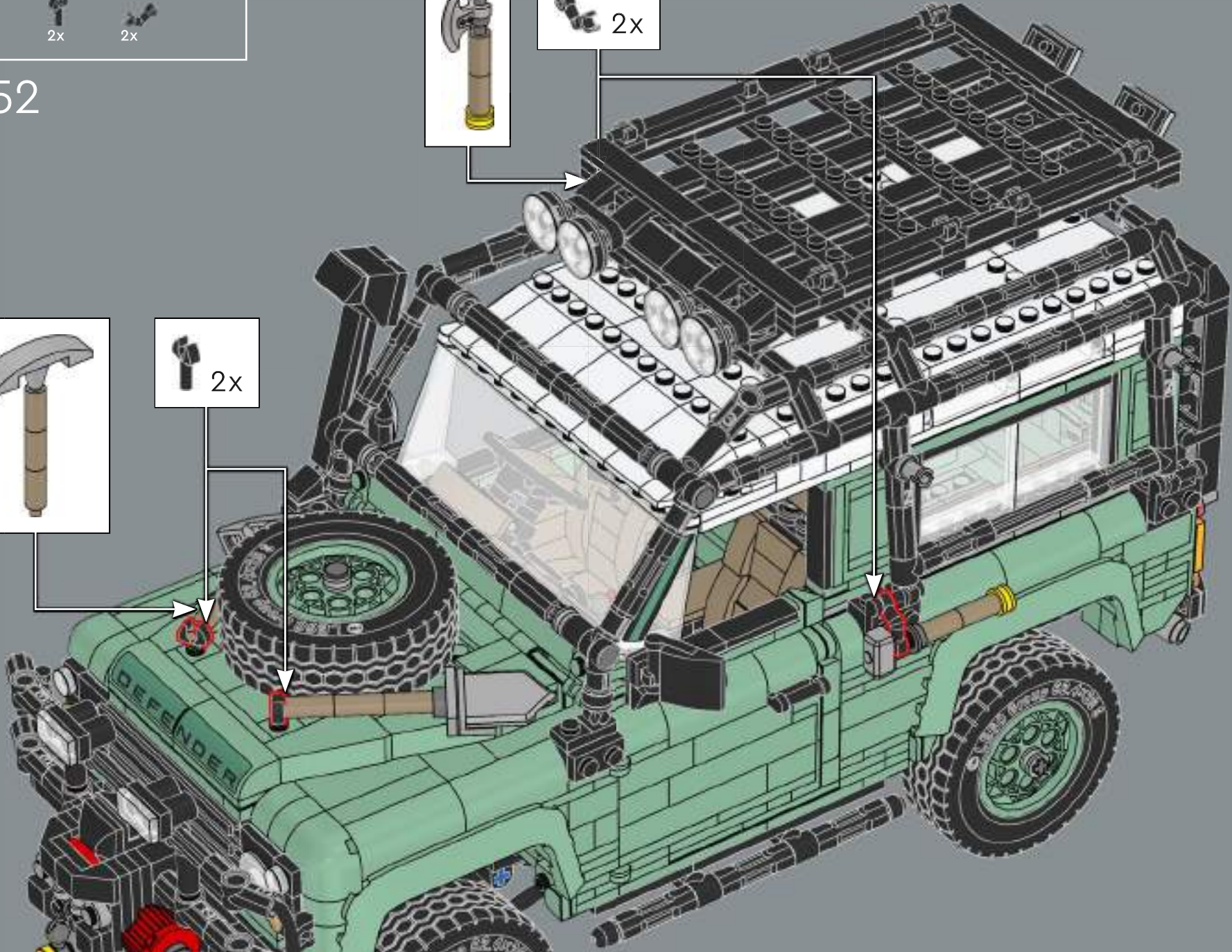


551



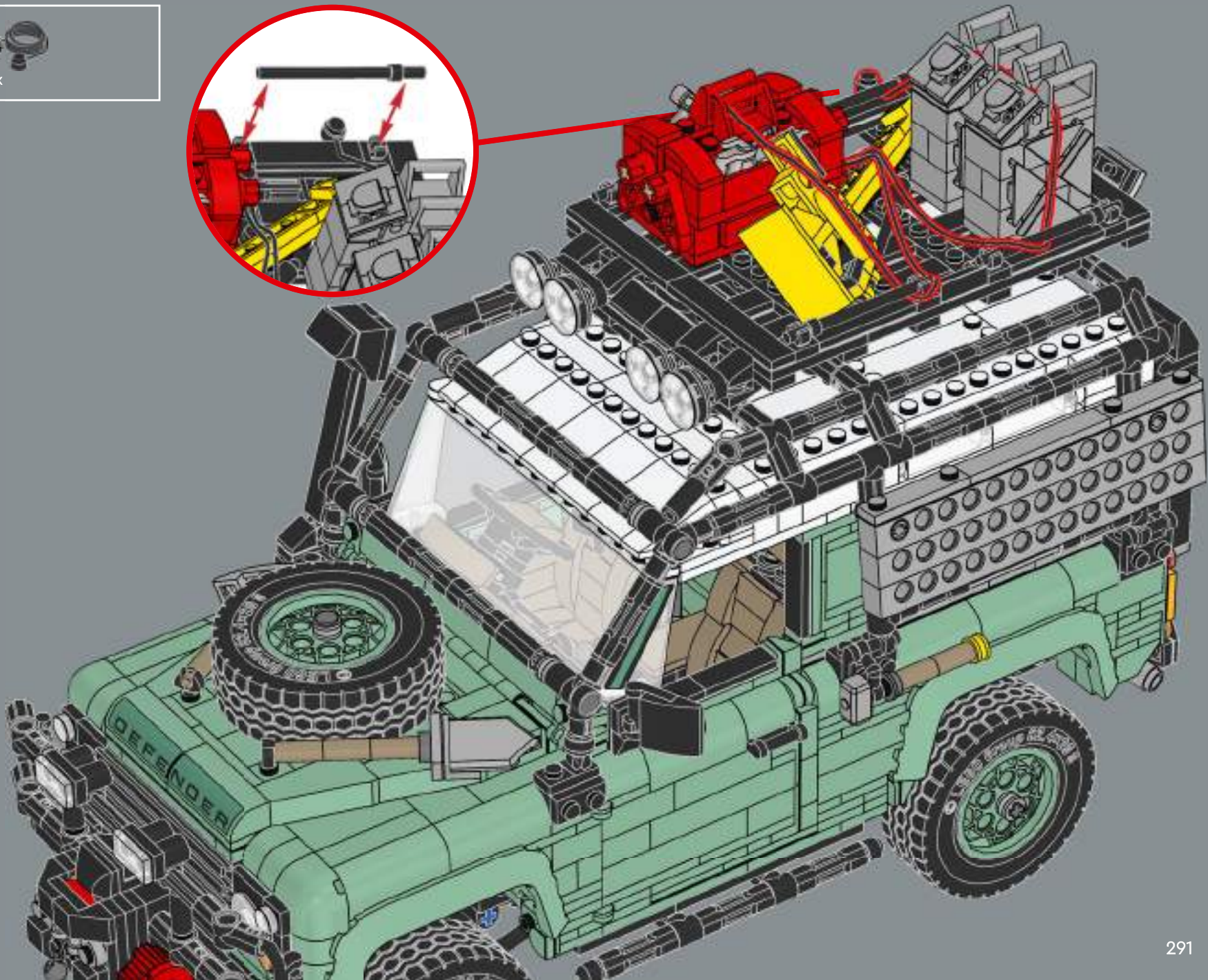
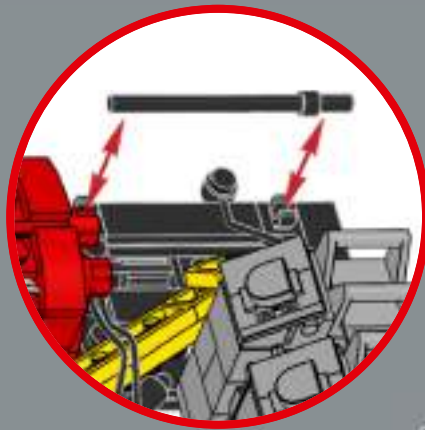


552



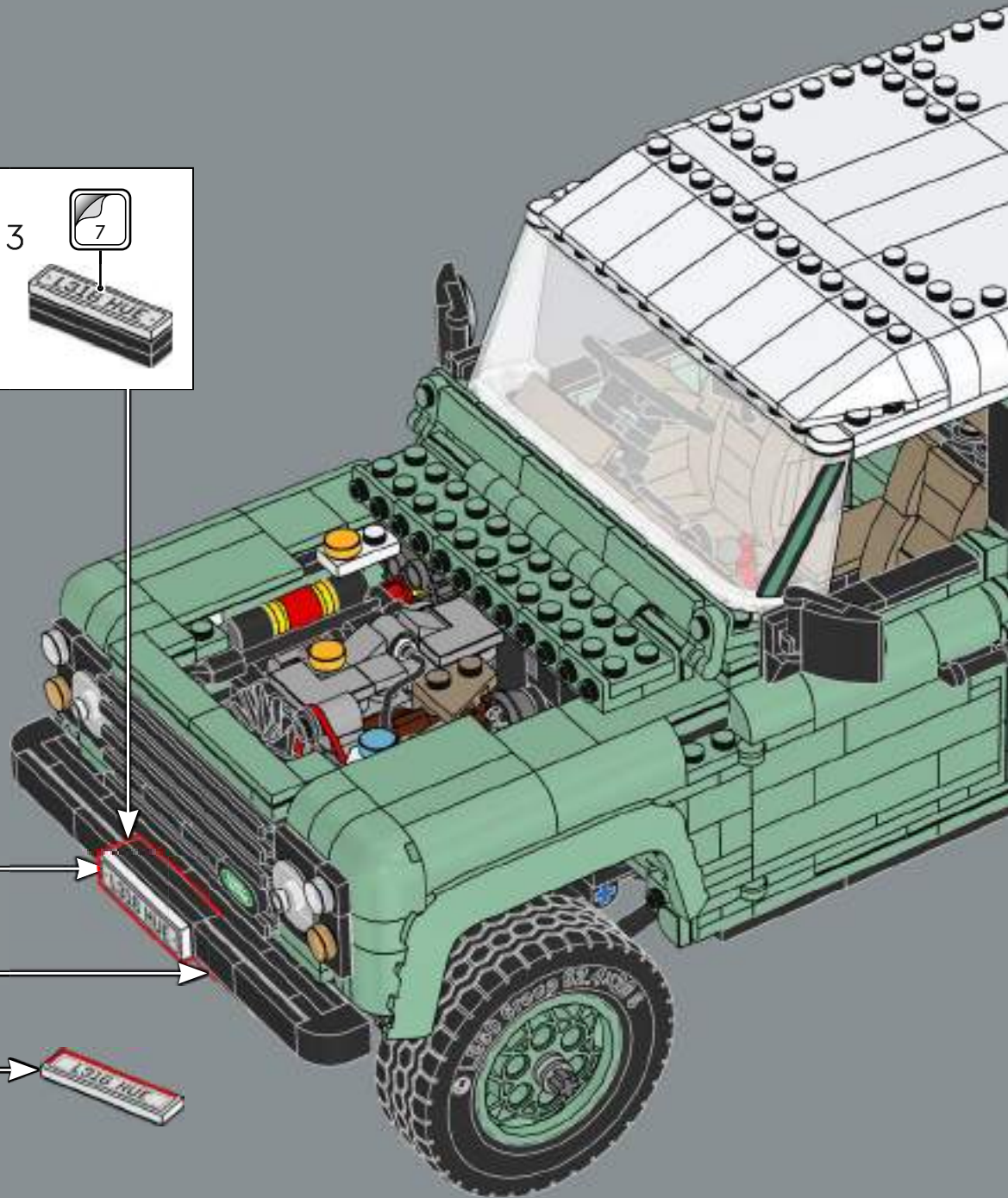
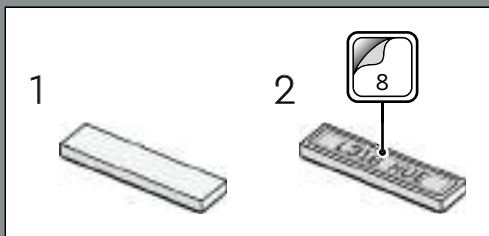
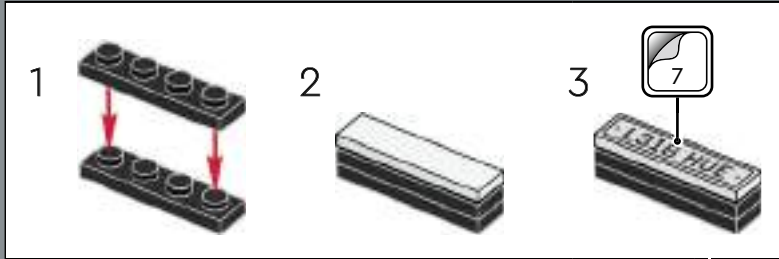


553





1



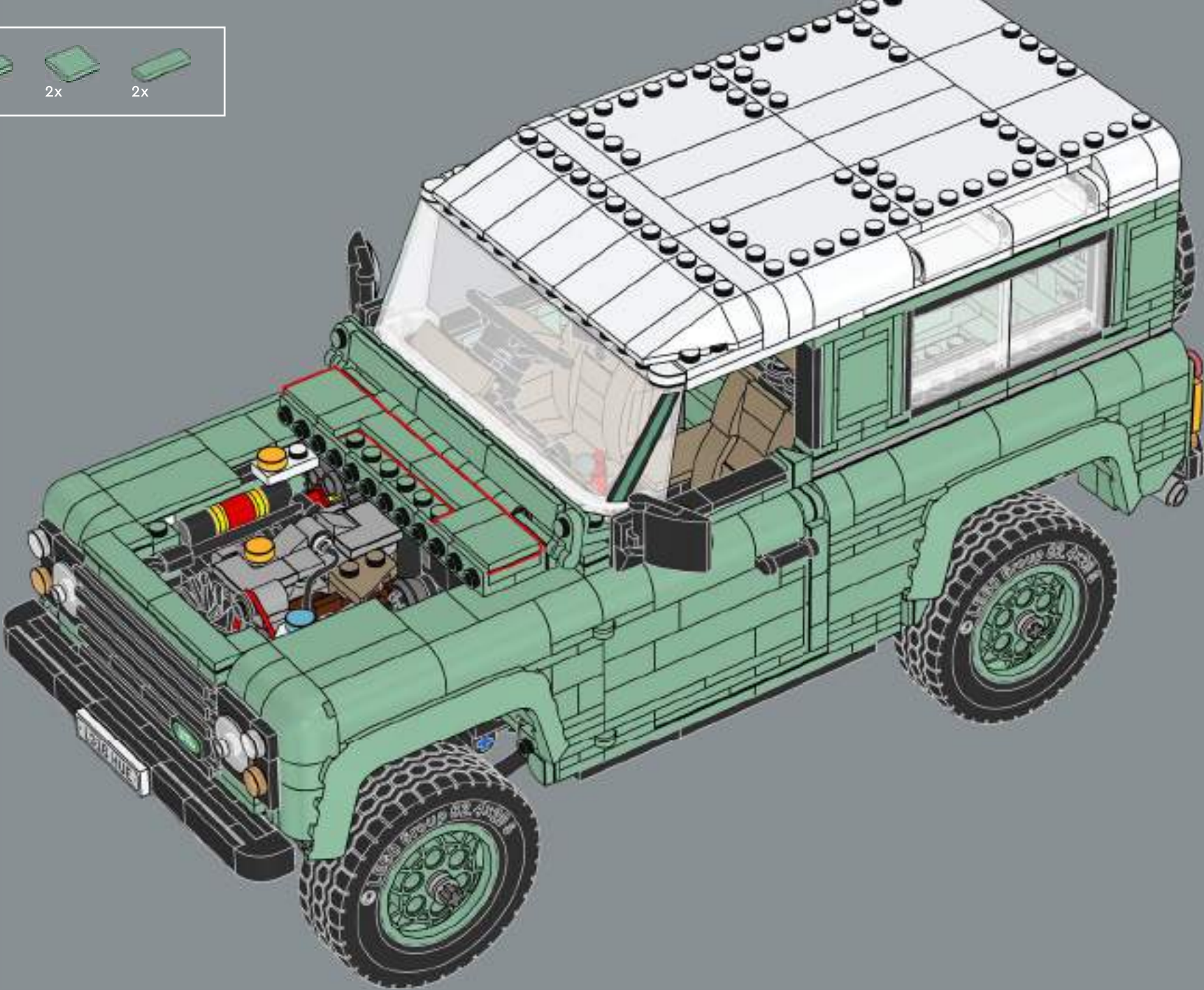


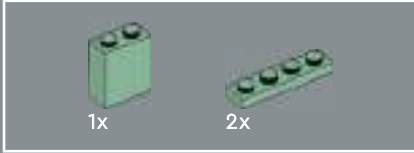
2



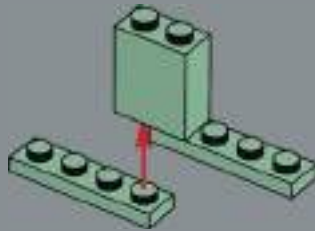


3

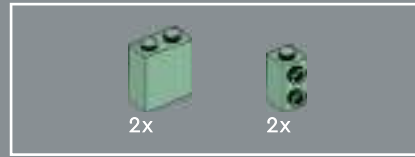
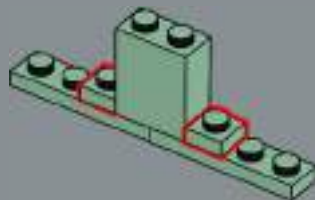




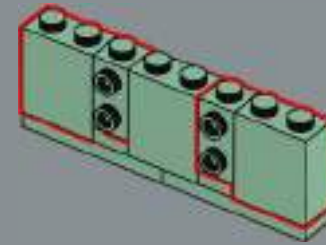
4



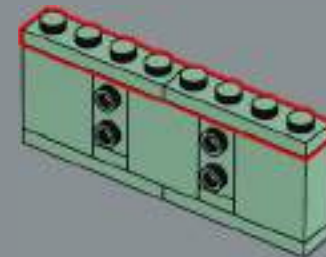
5

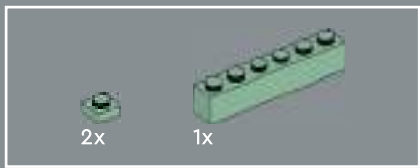


6

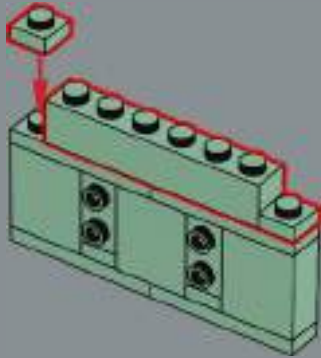


7

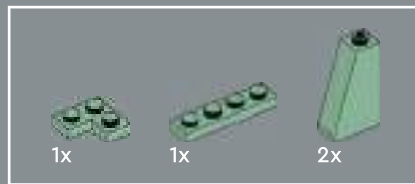
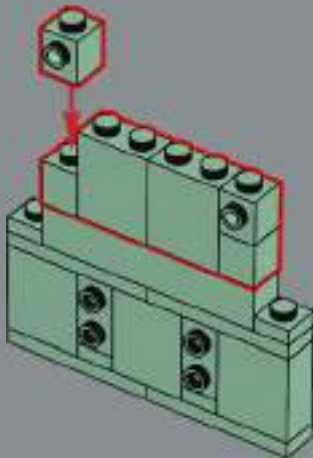




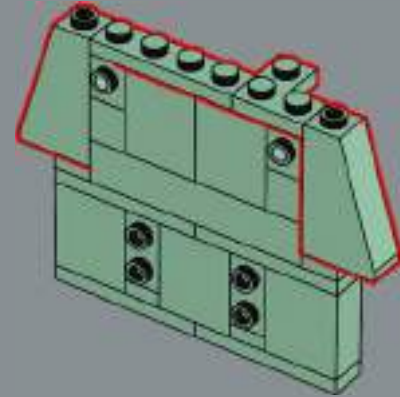
8



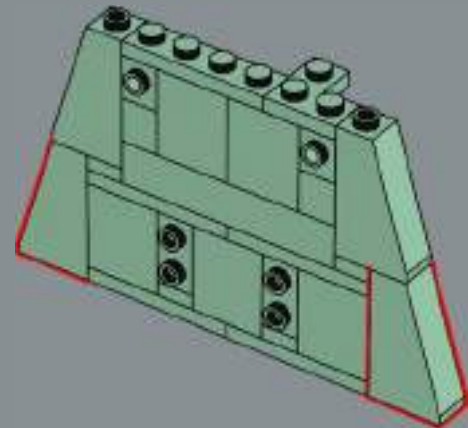
9



10

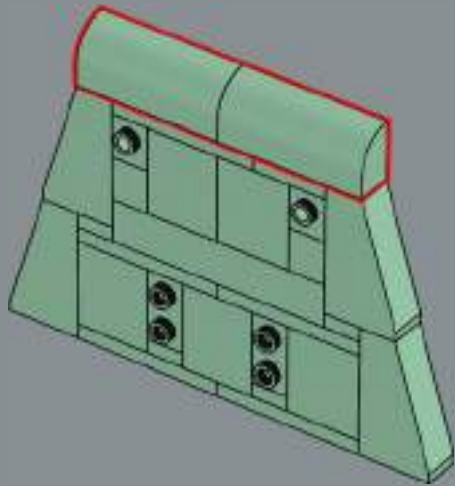


11

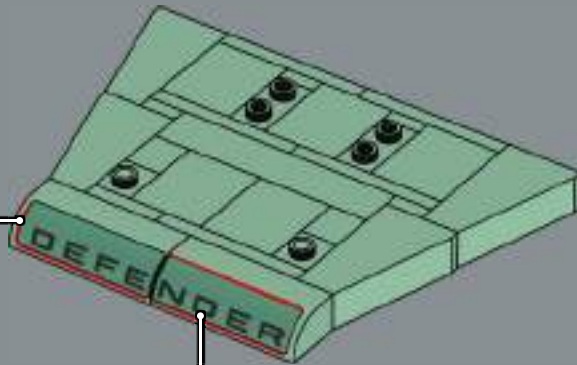




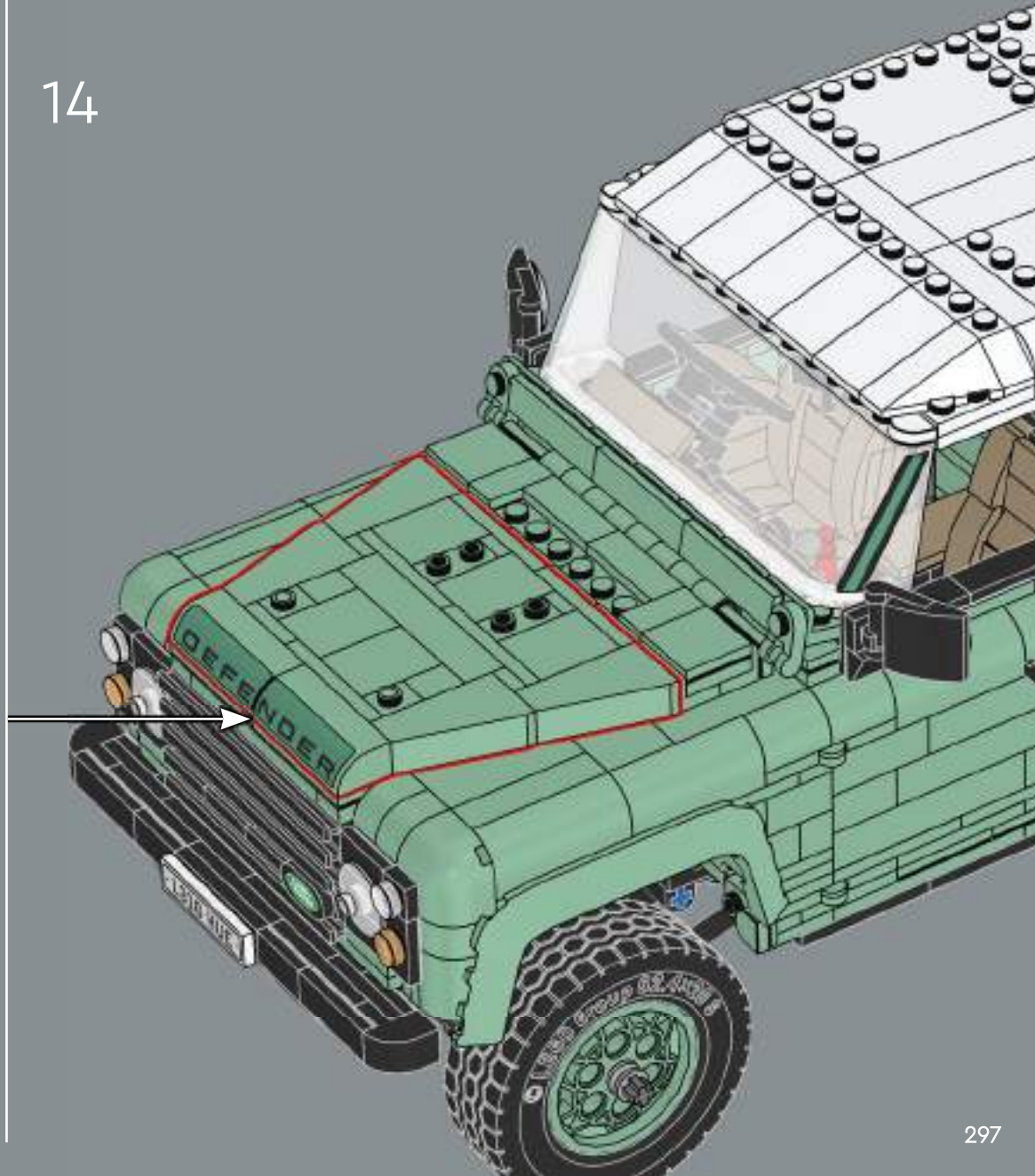
12

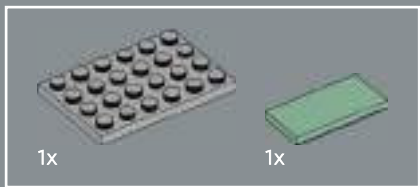


13

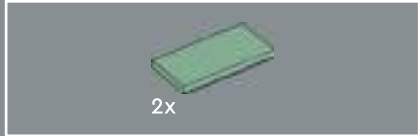
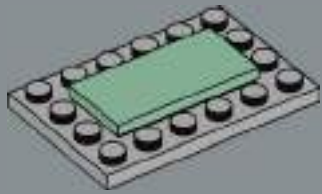


14

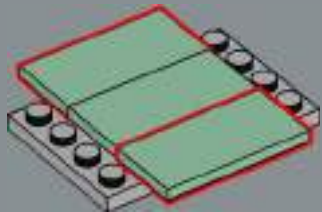




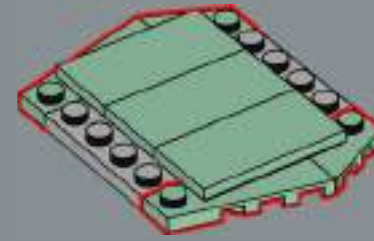
15



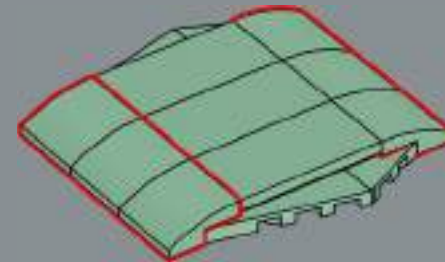
16



17



18



19



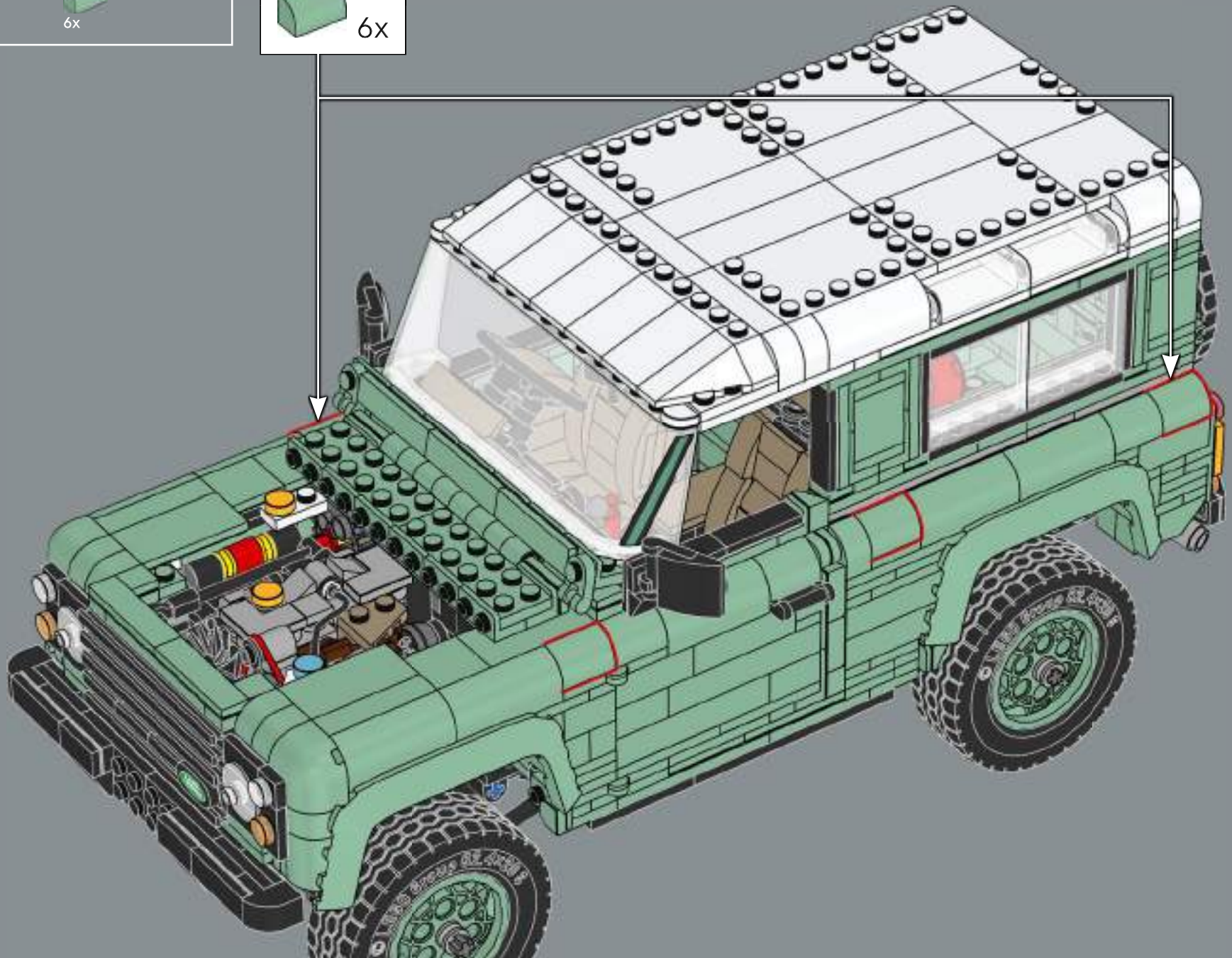


6x



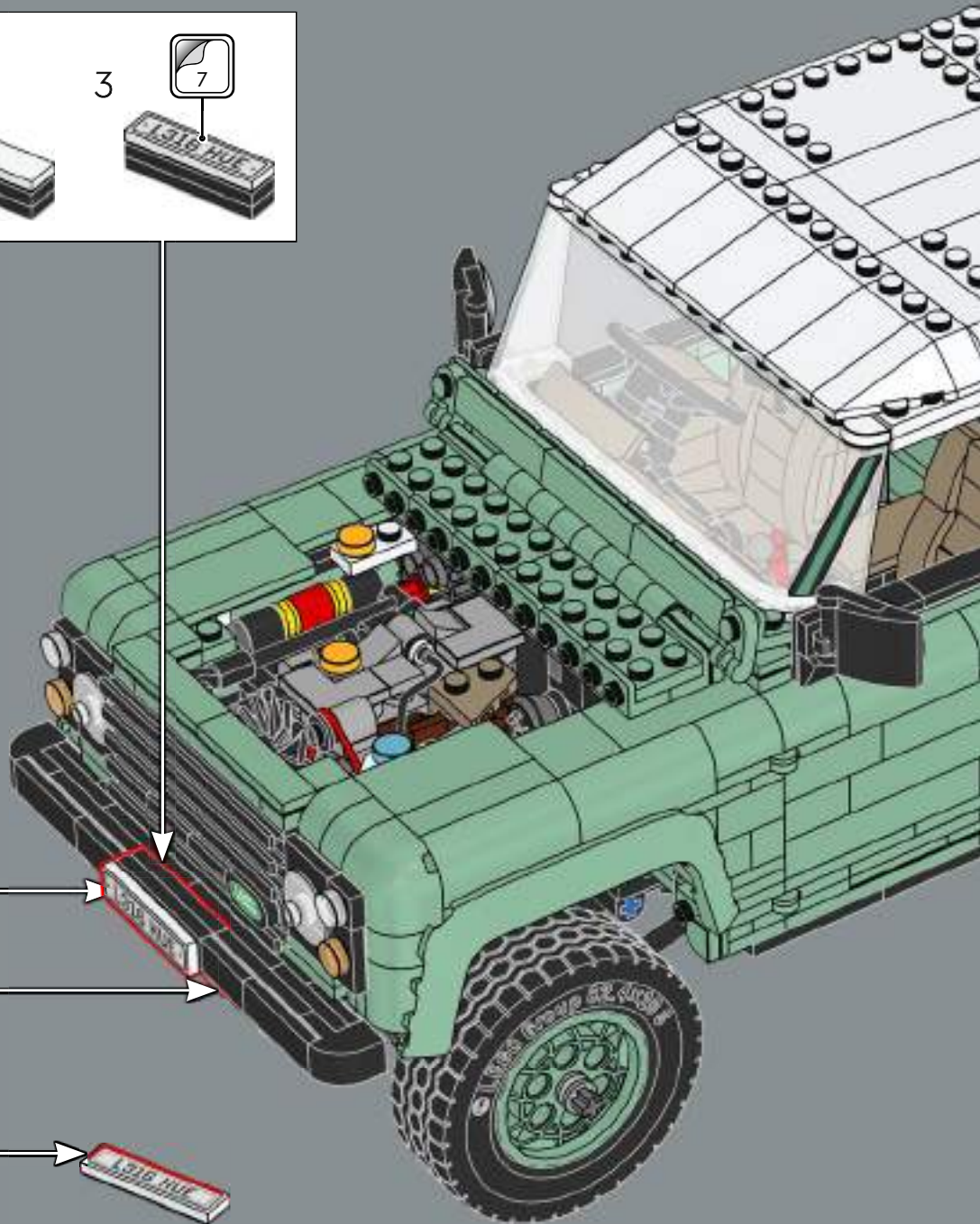
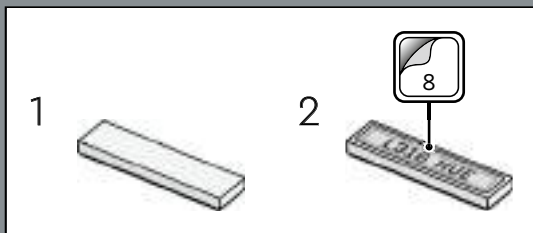
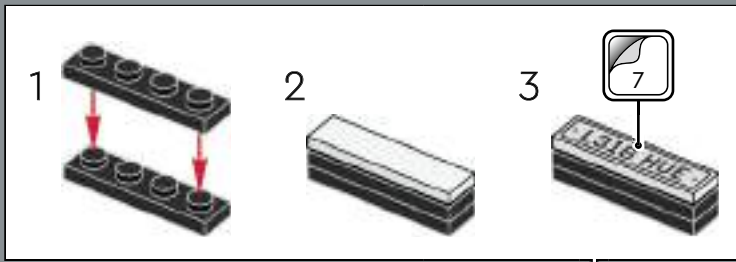
6x

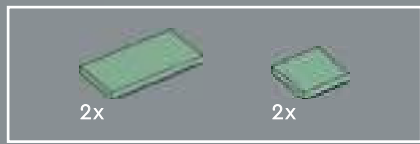
1





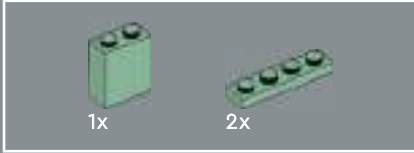
2



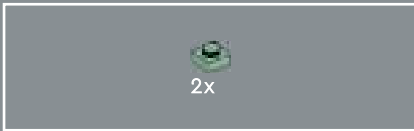
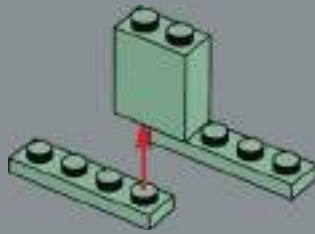


3

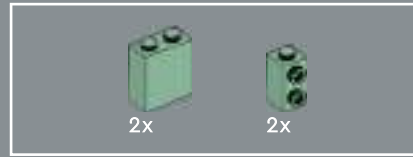
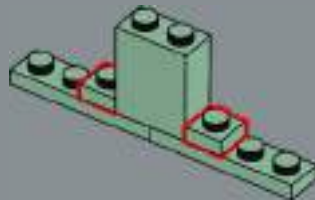




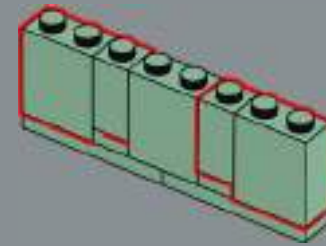
4



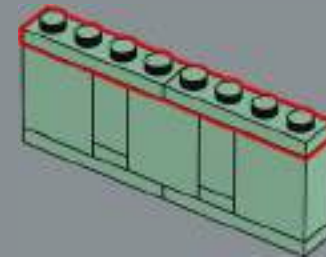
5

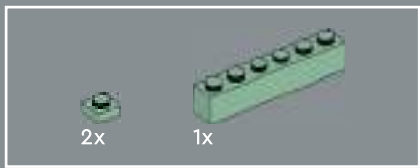


6

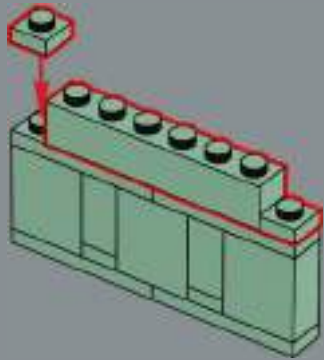


7

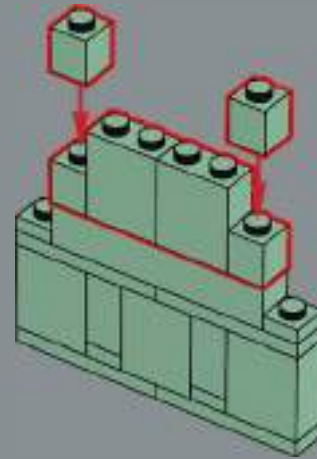


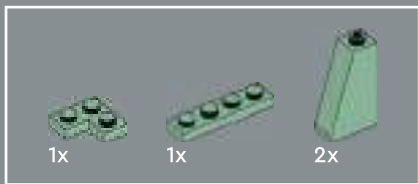


8

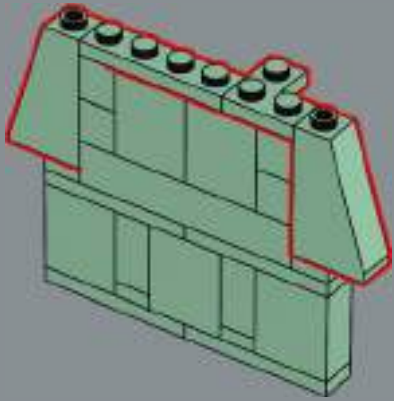


9

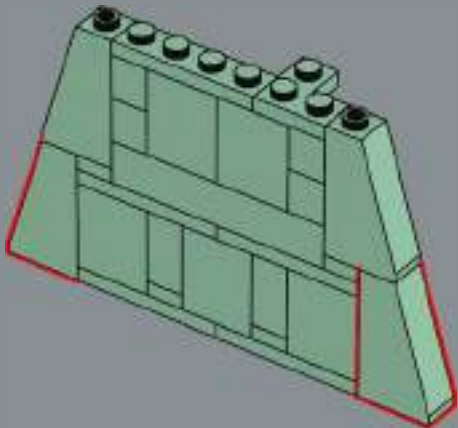




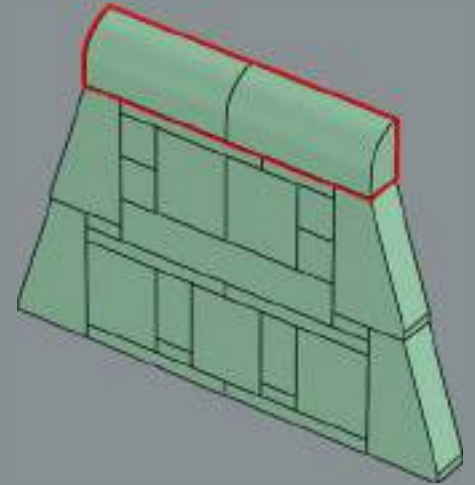
10



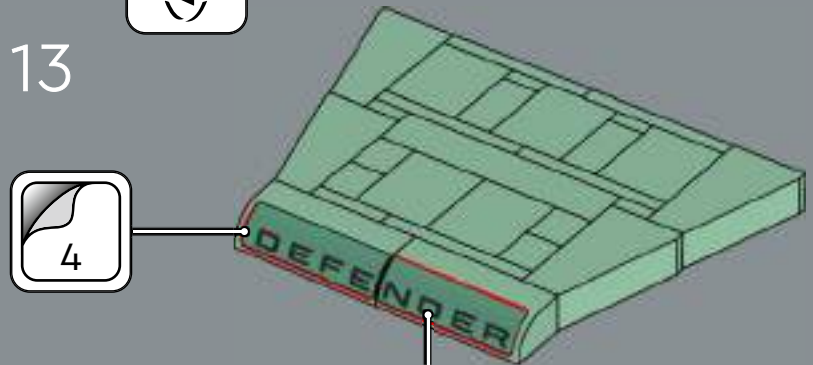
11



12



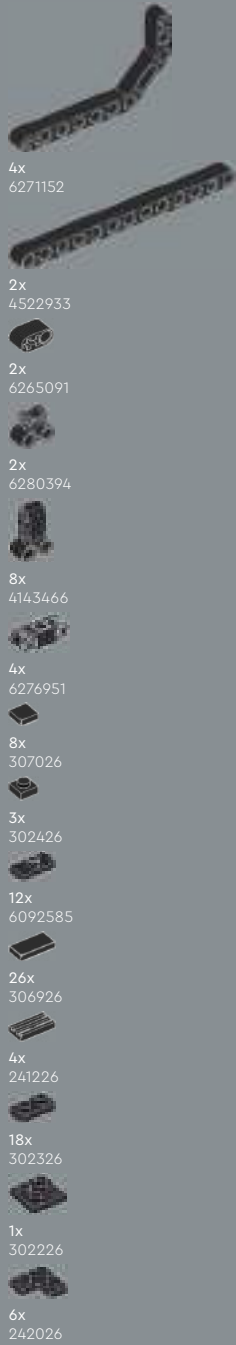
13



14



2x 300501	5x 243101	1x 244501	4x 300521	2x 243221	4x 6378481	2x 6079138	2x 6395375	9x 4504382
1x 300401	4x 6104805	2x 6337079	1x 4650646	4x 6319330	1x 4544143	2x 6348056	1x 4162443	19x 4548180
4x 300301	2x 6428165	3x 6097637	1x 6429055	1x 6210269	2x 4509376	1x 6284577	1x 4529236	2x 366526
5x 4143000	2x 4560178	2x 6158058	2x 614321	1x 4278275	2x 6261383	2x 6344174	2x 4653822	4x 6267487
1x 6106683	2x 6350399	2x 6158058	4x 654121	1x 403221	2x 366623	12x 6271167	3x 654126	2x 303926
1x 6106685	3x 617901	2x 4179355	4x 479355	1x 6132541	9x 4206482	13x 6130007	5x 3200026	1x 6435928
6x 6285777	8x 379501	4x 6210272	5x 6029946	4x 6331864	10x 6299413	1x 6130008	2x 6178922	4x 6047276
2x 6248827	6x 6332042	1x 6176240	1x 4153718	3x 6046379	1x 4181143	2x 300526	13x 370126	2x 6184784
2x 608101	4x 416201	2x 6371416	2x 243121	1x 389921	1x 6206240	2x 4644456	1x 6222427	2x 6147050
1x 4208160	4x 416201	6x 6388018	2x 366621	8x 6271820	1x 4201615	1x 300326	1x 300126	2x 6053077
7	4x 4163986	4x 6289797	2x 379521	2x 6332580	1x 366524	1x 300326	1x 300126	1x 4251161
1x 4495927	4x 4163986	2x 4118793	1x 6335578	14x 6378120	1x 6228597	1x 4617860	1x 4617860	1x 4251161
8x 302301	4x 4144012	5x 6117975	4x 346021	20x 6360104	1x 6146298	1x 4558954	2x 389526	7x 6121485
2x 242001	4x 4144012	8x 4161734	1x 6335578	50x 4142865	1x 362324	1x 4558954	2x 389526	2x 4142822
2x 362301	2x 4514842	2x 6017003	4x 303221	4x 6209519	4x 6209519	6x 6138173	2x 370326	2x 4142823
		6x 4666579	1x 303221	5x 6129995	4			



- 1x 306826
- 1x 6199908
- 8x 362326
- 4x 4558170
- 14x 302126
- 14x 243126
- 31x 371026
- 2x 6174917
- 15x 302026
- 7x 663626
- 9x 366626
- 3x 4243819
- 3x 379526
- 7x 346026

- 4x 303226
- 6x 303426
- 1x 303626
- 12x 4514845
- 2x 244526
- 1x 6001494
- 1x 6094066
- 4x 6186675
- 22x 6335388
- 2x 6335317
- 1x 6052126



- 2x 6299338
- 1x 6380236
- 1x 6234695
- 7x 6196548
- 9x 6157554
- 1x 6192309
- 3x 6347310
- 1x 243226
- 1x 4144024
- 1x 6117973
- 6x 6000650
- 19x 6016172
- 2x 6020193
- 4x 6310268
- 3x 4107761
- 4x 6336989

- 13x 4225201
- 6x 6328479
- 1x 4515368
- 3x 6272184
- 4x 4286009
- 8x 6168646
- 2x 614126
- 2x 6256435
- 7x 6210270
- 1x 6439019
- 2x 4161332
- 2x 4160869
- 1x 403226
- 3x 4278359
- 5x 474026

- 5x 6195325
- 3x 6174243
- 2x 4227684
- 2x 6331723
- 10x 6271810
- 4x 6327028
- 1x 6146220
- 3x 6382697
- 1x 4623113
- 1x 6371584
- 1x 6093525
- 5x 6170421
- 2x 6326681
- 5x 6174075

- 1x 4537551
- 3x 6151289
- 1x 4598897
- 1x 6359865
- 8x 6156414
- 6x 6411639
- 2x 6078610
- 1x 6299938
- 1x 6313481
- 1x 6325254
- 1x 6394979
- 7x 6315887
- 1x 6321194

- 2x 6356406
- 1x 6284699
- 8x 6322045
- 25x 6279875
- 18x 6253260
- 10x 4512363
- 1x 6325521
- 8x 6262897
- 6x 6261386
- 12x 6271869
- 39x 6286381
- 4x 370626
- 1x 370726
- 1x 370826

6

8

12

- 6x 6290456
- 6x 6278152
- 4x 393826
- 3x 6332148
- 4x 393726
- 4x 6244698
- 1x 4177431
- 1x 6346535
- 2x 6096956
- 4x 302328
- 1x 6344930
- 4x 6251294
- 7x 6274738
- 2x 6245306
- 6x 6163901
- 2x 6252258





1x
6248078



5x
6227897



3x
6225246



4x
4211357



3x
6225230



5x
6326078



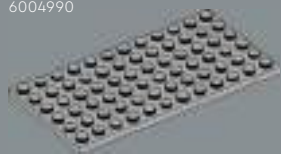
10x
6117967



4x
4654582



5x
6004990



1x
4211400



1x
4211568



1x
6284071



5x
6168647



3x
6329581



16x
4211525



3x
6250597



6x
6248890



2x
6360043



1x
4221775



2x
6217791



1x
6004729



1x
6326748



1x
6245254



10x
6271165



2x
6378136



1x
6167667



2x
4211375



9x
4211807



1x
6335279



2x
6338962



2x
6265690



2x
4211469



2x
4211881



2x
4640536



1x
6322819



2x
6362259



14x
6178919



3x
4211111



2x
4211133



9x
4211043



7x
6271752



1x
6413106



6x
4521187



6x
6364452



4x
6327561



2x
4211001



18x
6083620



2x
4508553



1x
4499858



3x
4210997



6x
6133611



4x
4211067



1x
6284596



3x
6231765



1x
6236395



4x
6308045



1x
6396058



8x
6000606



2x
6349479



4x
6278260



1x
6350724



1x
6340333



2x
6359227



1x
6347464



1x
6364352



15x
6015356



2x
4610374



1x
4239891



1x
6317653



6x
4629920



4x
6012451



2x
6133119



1x
6430214



1x
6317181



1x
6103444



1x
6363145



[LEGO.com/service](https://www.LEGO.com/service)



YOU COULD WIN



YOU COULD WIN

Your feedback will help shape the future development of this product series.

Visit:

DU KÖNNTEST GEWINNEN

Dein Feedback trägt zur Weiterentwicklung dieser Produktreihe bei.

Geh auf:

VOUS POURRIEZ GAGNER

Vos commentaires nous aideront à concevoir les futurs produits de cette gamme.

Visitez :

POTRESTI VINCERE TU

La tua opinione ci aiuterà a migliorare la creazione futura di questa linea di prodotti.

Visita:

PUEDES GANAR

Tu opinión contribuirá al futuro de esta serie de productos.

Visita:

轻松获奖

您的反馈将有助于我们在今后改进本产品系列。

请访问:

[LEGO.com/productfeedback](https://www.lego.com/productfeedback)

You also have the chance to win a LEGO® set.

Terms and conditions apply.*

Außerdem hast du die Chance, ein LEGO® Set zu gewinnen.

Es gelten die Teilnahmebedingungen.*

Vous pourriez également gagner un ensemble LEGO®.

Des conditions s'appliquent.*

Hai anche la possibilità di vincere un set LEGO®.

Termini e condizioni sono applicabili.*

También tienes la oportunidad de ganar un set LEGO®.

Aplican términos y condiciones.*

您还有机会赢取乐高®套装。

条款和条件适用。*

*[LEGO.com/productfeedback-terms](https://www.lego.com/productfeedback-terms)

